

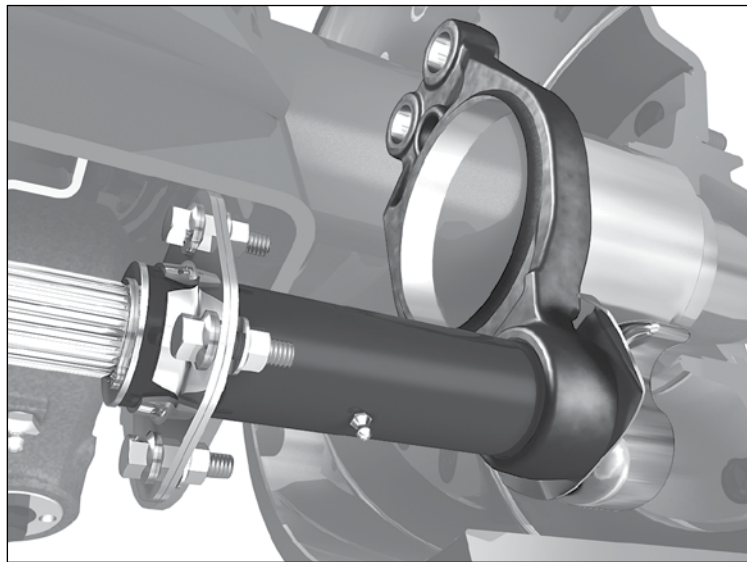
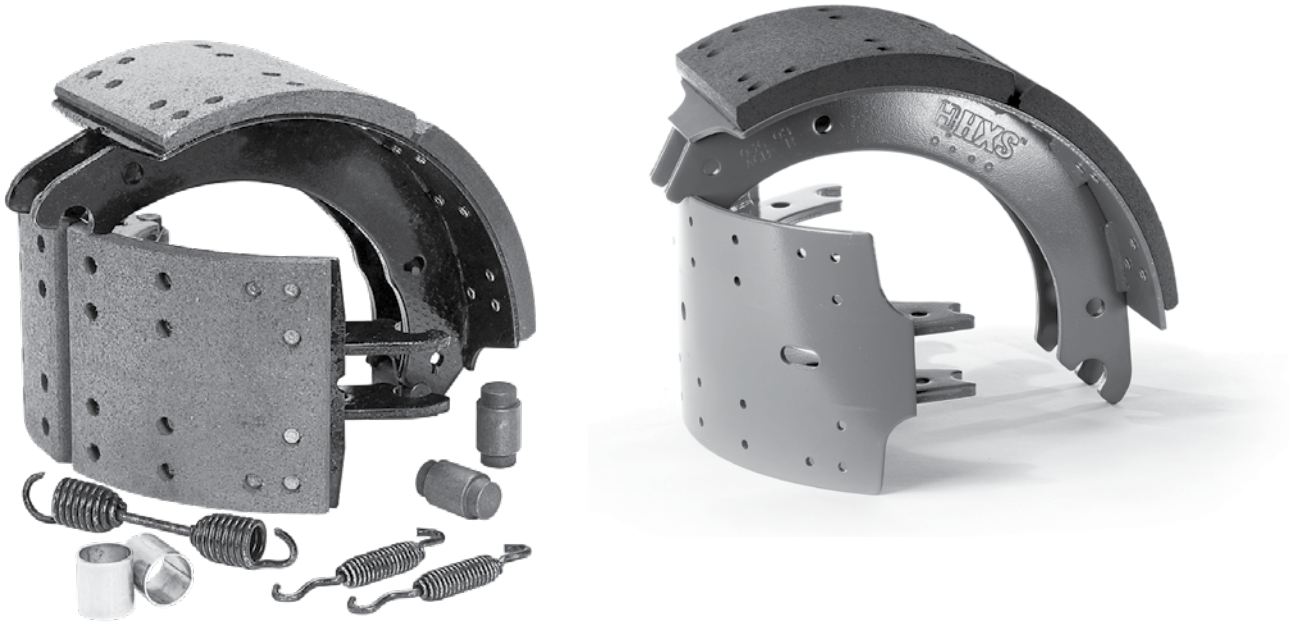
H PARTS LIST

**INTRAAX® / VANTRAAX® /
CONNEX® ST / TRLAXLE®
BRAKE / S-CAM KITS /
COMPONENTS**

LIT NO: L1104

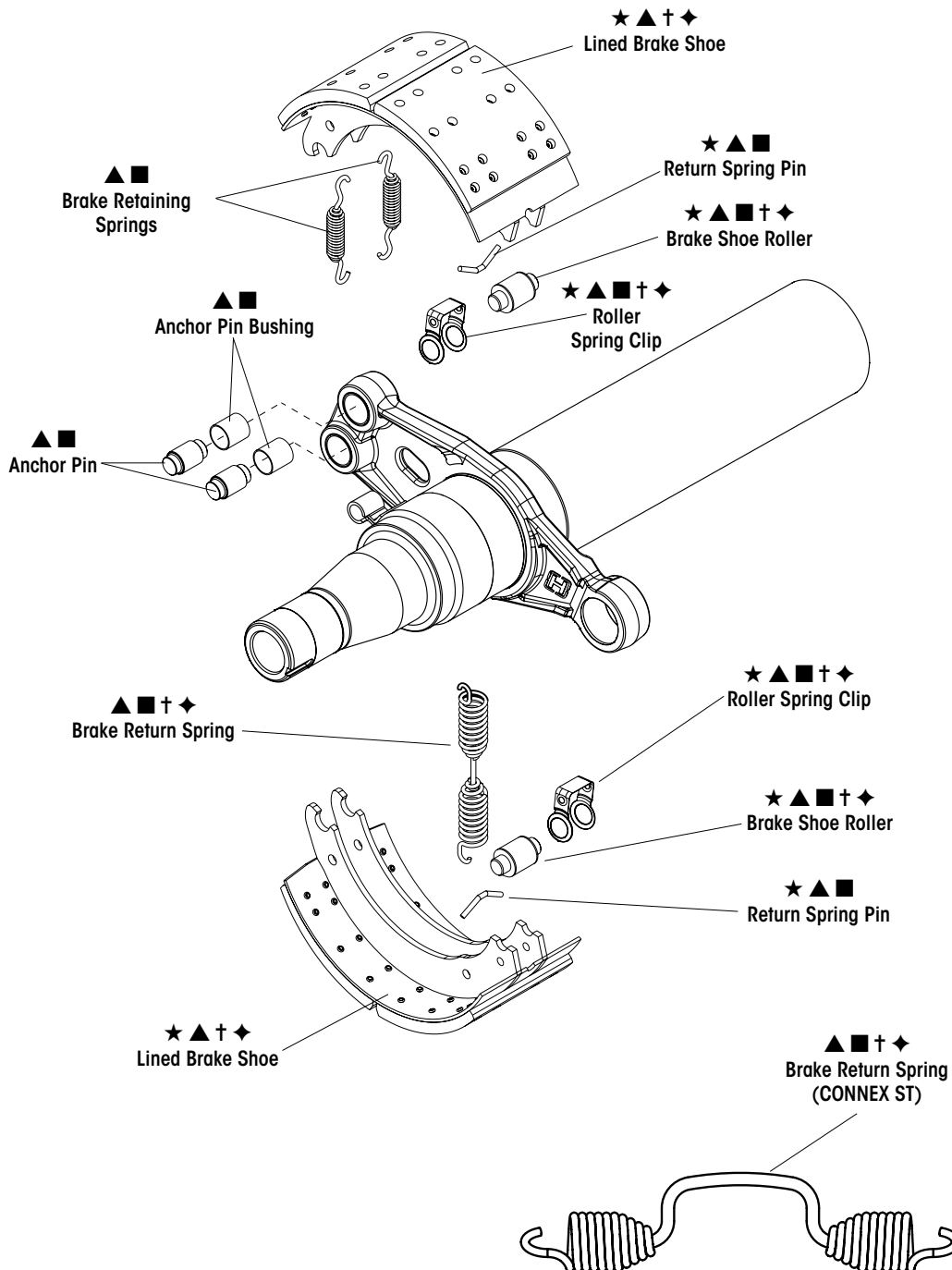
DATE: August 2024

REVISION: J





★ Brake Shoe Kits Contain: (2) lined brake shoes, (2) brake shoe rollers, (2) roller spring clips and (2) return spring pins
▲ Major Overhaul Brake Shoe Kits Contain: (2) lined brake shoes, (2) brake shoe rollers, (2) roller spring clips, (2) return spring pins (2) anchor pins, (2) anchor pin bushings, (1) brake return spring and (2) brake retaining springs
■ Minor Overhaul Hardware Kits Contain: (2) brake shoe rollers, (2) roller spring clip, (2) return spring pins, (2) anchor pins, (2) anchor pin bushings, (1) brake return spring and (2) brake retaining springs
† Brake Conversion Kits without S-cams Contain: (4) lined brake shoes, (4) brake shoe rollers, (4) roller spring clips, (4) return spring pins and (2) HXS brake return springs
◆ Brake Conversion Kits with S-cams Contain: (4) lined brake shoes, (4) brake shoe rollers, (4) roller spring clips, (4) return spring pins, (2) HXS brake return springs, (1) S-cam left, (1) S-cam right and (2) underhead cam washers





BRAKE KITS (Original Equipment Linings) (INTRAAX®, VANTRAAX® and TRLAXLE®)

LINING	FMSI	SIZE	SERVICE TYPE	★ BRAKE SHOE KIT	▲ MAJOR OVERHAUL BRAKE KIT	■ MINOR OVERHAUL HARDWARE BRAKE KIT	† BRAKE CONVERSION TO HXS® w/out S-CAMS	◆ BRAKE CONVERSION TO HXS w/ S-CAMS
15,000 GAWR	4524	16.5" x 5"	STD	S-40955-1	S-40956-1	S-23752	N/A	N/A
20,000 GAWR	4515	16.5" x 7"	STD	S-21266-1	S-21184-1	S-23752	N/A	N/A
	4692	12.25" x 7.5"	HXS®	S-32486-3	S-31962-3	S-32487-3	N/A	N/A
	4707	16.5" x 7"	HXS	S-23750-1	S-23753-1	S-23752	S-25823-1	S-23756-1
	4710	15" x 8.625"	HXS	S-27808-1	S-27783-1	S-23752	N/A	N/A
	4711	16.5" x 8.625"	HXS	S-23751-1	S-23754-1	S-23752	S-25824-1	S-23757-1
23,000 GAWR	4707	16.5" x 7"	HXS	S-23750-3	S-23753-3	S-23752	S-25823-3	N/A
	4711	16.5" x 8.625"	HXS	S-23751-3	S-23754-3	S-23752	S-25824-3	N/A
26,000 GAWR	4707	16.5" x 7"	HXS	S-23750-9	S-23753-9	S-23752	S-25823-9	N/A
	4711	16.5" x 8.625"	HXS	S-23751-9	S-23754-9	S-23752	S-25824-9	N/A
ULTRA 20	4707	16.5" x 7"	HXS	S-23750-2	S-23753-2	S-23752	S-25823-2	N/A
	4711	16.5" x 8.625"	HXS	S-23751-2	S-23754-2	S-23752	S-25824-2	N/A

BRAKE KITS FOR SHOES WITH AAXTREME COAT® (INTRAAX, VANTRAAX and TRLAXLE)

LINING	FMSI	SIZE	SERVICE TYPE	★ BRAKE SHOE KIT w/ AAXTREMECOAT	▲ MAJOR OVERHAUL BRAKE KIT w/ AAXTREME COAT	† BRAKE CONVERSION TO HXS w/out S-CAMS w/ AAXTREMECOAT	◆ BRAKE CONVERSION TO HXS w/ S-CAMS w/ AAXTREMECOAT
20,000 GAWR	4707	16.5" x 7"	HXS	S-34585-1	S-34586-1	S-34587-1	S-34588-1
	4711	16.5" x 8.625"		S-34589-1	S-34590-1	S-34591-1	S-34592-1
23,000 GAWR	4707	16.5" x 7"	HXS	S-34585-3	S-34586-3	S-34587-3	S-34588-3
	4711	16.5" x 8.625"		S-34589-3	S-34590-3	S-34591-3	S-34592-3
ULTRA 20	4707	16.5" x 7"	HXS	S-34585-2	S-34586-2	S-34588-2	S-34588-2
	4711	16.5" x 8.625"		S-34589-2	S-34590-2	S-34591-2	S-34592-2

BRAKE KITS (OE Linings) (CONNEX® ST)

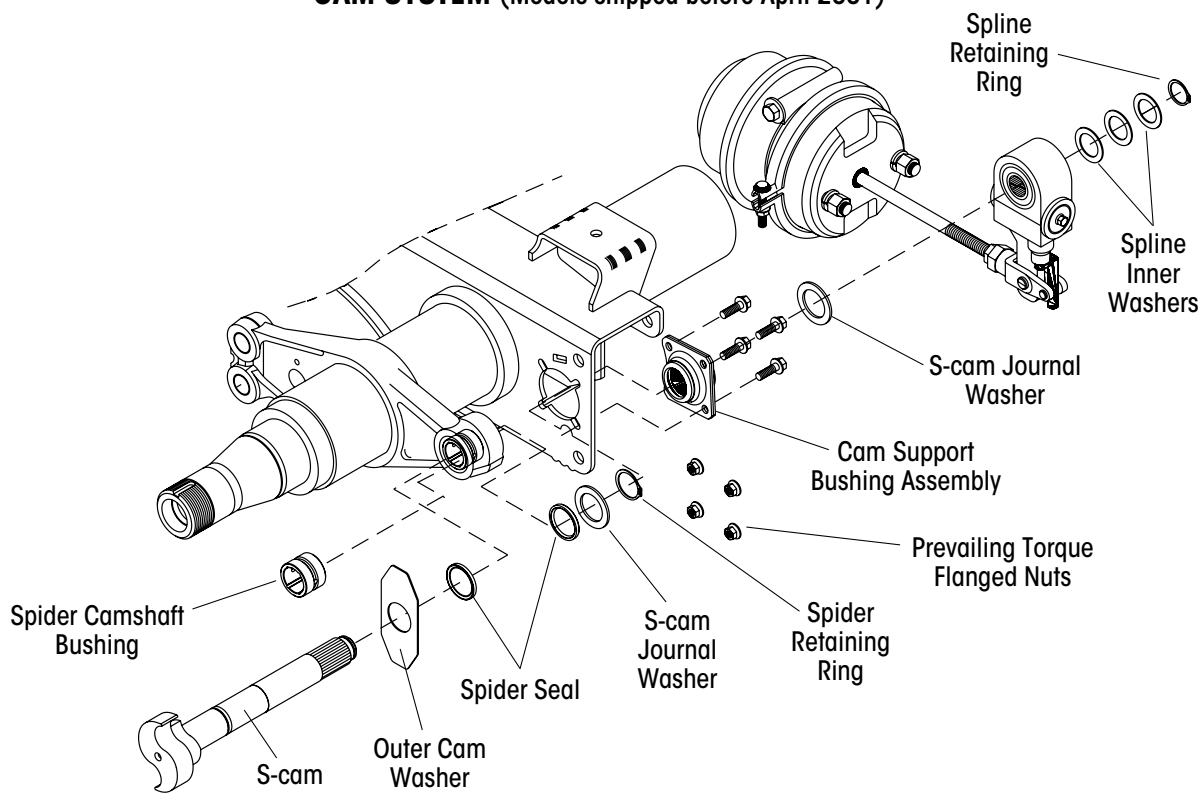
LINING	FMSI	SIZE	SERVICE TYPE	★ BRAKE SHOE KIT	▲ MAJOR OVERHAUL BRAKE KIT	■ MINOR OVERHAUL HARDWARE BRAKE KIT	† BRAKE CONVERSION TO HXS w/out S-CAMS	◆ BRAKE CONVERSION TO HXS w/ S-CAMS
20,000 GAWR	4707	16.5" x 7"	HXS	S-23750-1	S-37632-1	S-37633	S-37634-1	S-37635-1
23,000 GAWR	4707	16.5" x 7"	HXS	S-23750-3	S-37632-3	S-37633	S-37634-3	S-37635-3

BRAKE KITS FOR SHOES WITH AAXTREME COAT (CONNEX ST)

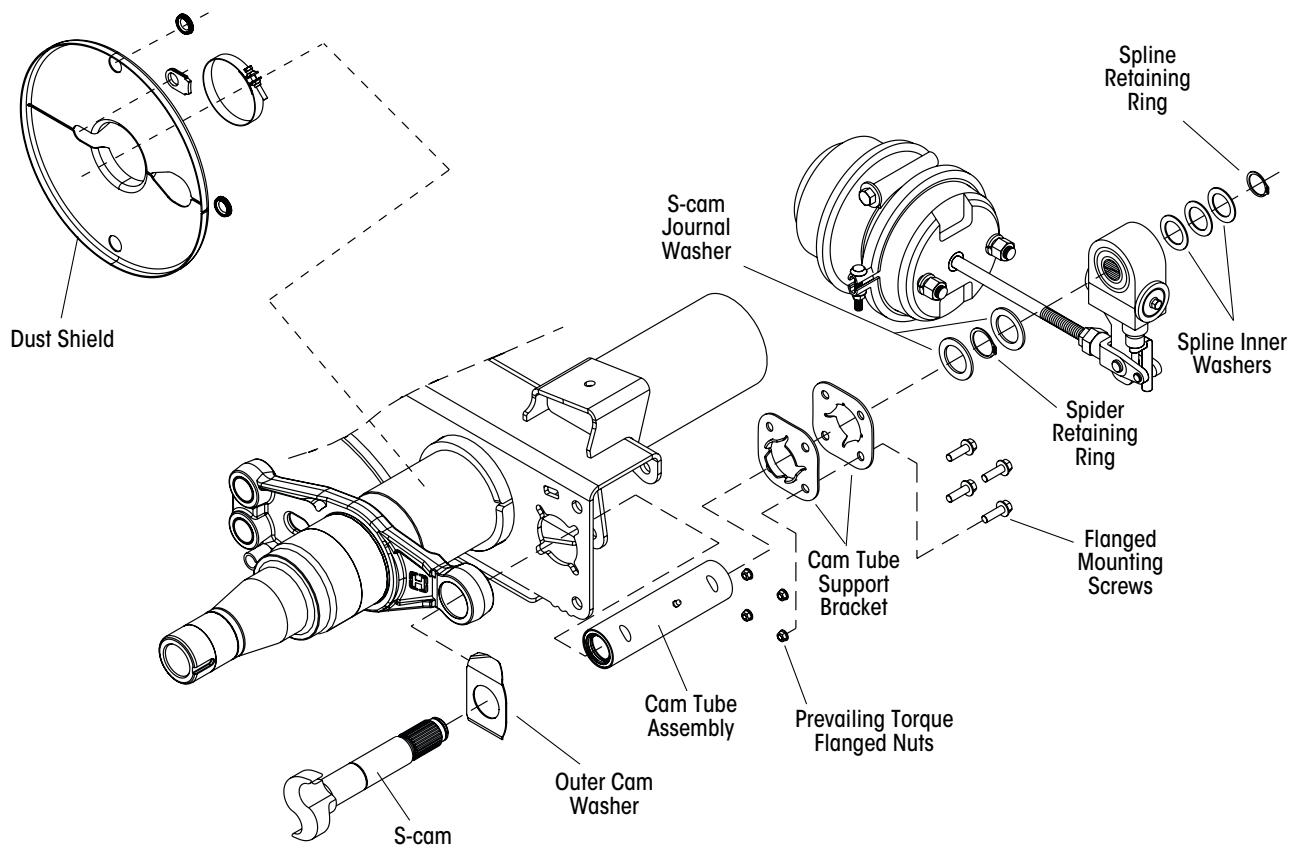
LINING	FMSI	SIZE	SERVICE TYPE	★ BRAKE SHOE KIT w/ AAXTREMECOAT	▲ MAJOR OVERHAUL BRAKE KIT w/ AAXTREMECOAT	■ MINOR OVERHAUL HARDWARE BRAKE KIT	† BRAKE CONVERSION TO HXS w/out S-CAMS w/ AAXTREME COAT	◆ BRAKE CONVERSION TO HXS w/ S-CAMS w/ AAXTREME COAT
20,000 GAWR	4707	16.5" x 7"	HXS	S-34585-1	S-37636-1	S-37633	S-37637-1	S-37638-1
23,000 GAWR	4707	16.5" x 7"	HXS	S-34585-3	S-37636-3	S-37633	S-37637-3	S-37638-3



CAM SYSTEM (Models shipped before April 2001)

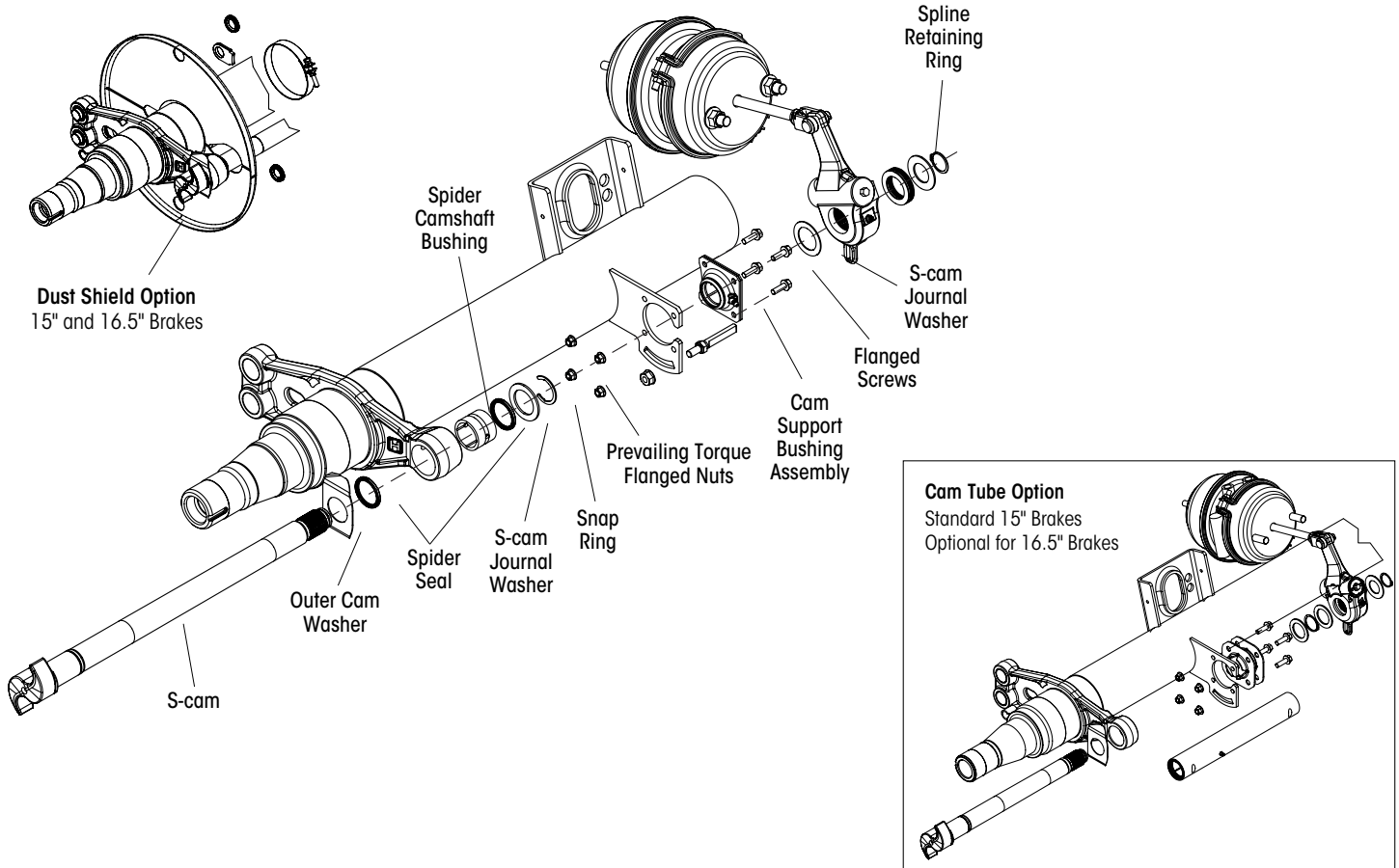


CAM TUBE SYSTEM™ INTRAAX® AND VANTRAAX®

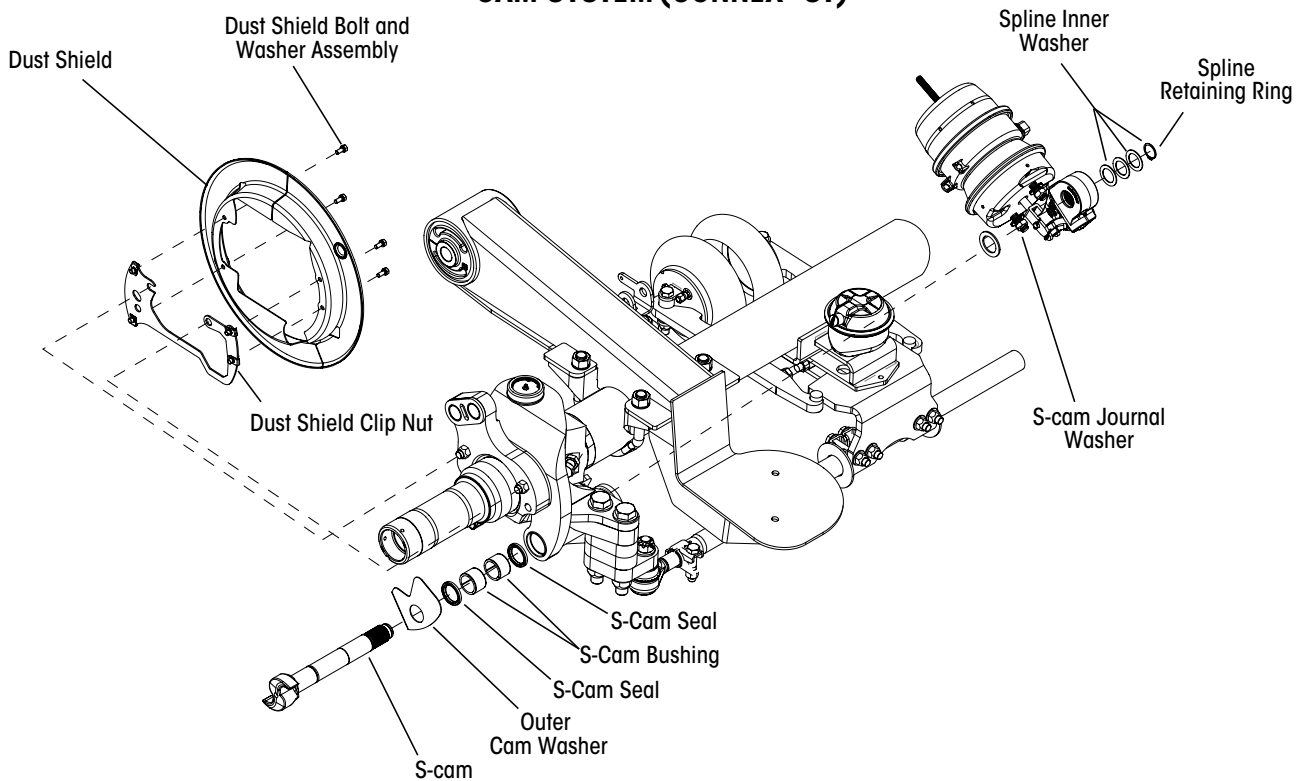




CAM SYSTEM TRLAXLE®



CAM SYSTEM (CONNEX® ST)





S-CAM COMPONENTS

S-CAM (INTRAAX® & VANTRAAX®)				
BRAKE SIZE	15-inch			
SPLINE SIZE			QTY.	NOTES
28	S-25024-1L	S-25024-1R	1	HXS® Hendrickson Extended Service™ brakes
BRAKE SIZE	16-inch			
10	S-23857-1L	S-23857-1R	1	Standard and HXS brakes; sold outside the United States
28	S-24636-1L	S-24636-1R	1	Standard and HXS brakes

S-CAM (TRLAXLE®)				
BRAKE SIZE	16.50 x 7.00 or 16.50 x 8.63			
S-CAM SUPPORT	CAM BRACKET ONLY		CAM TUBE	
S-CAM SPLINE	10 Spline	28 Spline	10 Spline	28 Spline
S-CAM UNDERHEAD LENGTH	<i>(Left Side / Right Side)</i>		<i>(Left Side / Right Side)</i>	
6.625"		S-30594-1L / 1R		
7"		S-30594-2L / 2R		
7.5"		S-30594-3L / 3R		
9"		S-30594-4L / 4R		
10.25"		S-30594-5L / 5R		
11.125"		S-30594-6L / 6R		S-30594-33L / 33R
15.625"		S-30594-7L / 7R		
16.625"		S-30594-50L / 50R		
17.625"		S-30594-8L / 8R		S-30594-34L / 34R
20.625"	S-30671-1L / 1R	S-30594-9L / 9R	S-30671-6L / 6R	S-30594-35L / 35R
20.75"		S-30594-54L / 54R		
21.5"		S-30594-10L / 10R		S-30594-63L / 63R
21.625"		S-30594-11L / 11R		
22.375"		S-30594-56L / 56R		
22.625"	S-30671-2L / 2R	S-30594-12L / 12R	S-30671-22L / 22R	S-30594-57L / 57R
22.875"		S-30594-45L / 45R		
23.375"		S-30594-13L / 13R		
23.5"		S-30594-14L / 14R		
23.75"	S-30671-3L / 3R	S-30594-15L / 15R	S-30671-7L / 7R	S-30594-36L / 36R
24"	S-30671-4L / 4R			
24.125"		S-30594-16L / 16R		
24.25"		S-30594-17L / 17R		S-30594-58L / 58R
24.625"		S-30594-59L / 59R		
25.25"		S-30594-18L / 18R		
25.5"		S-30594-19L / 19R		
26"		S-30594-20L / 20R		
26.5"	S-30671-5L / 5R	S-30594-21L / 21R	S-30671-8L / 8R	S-30594-37L / 37R
27"		S-30594-22L / 22R		
28.375"		S-30594-23L / 23R		
28.5"		S-30594-24L / 24R		
29"		S-30594-25L / 25R		
29.5"		S-30594-26L / 26R		
30"		S-30594-27L / 27R		S-30594-64L / 64R

**S-CAM COMPONENTS** (Continued)

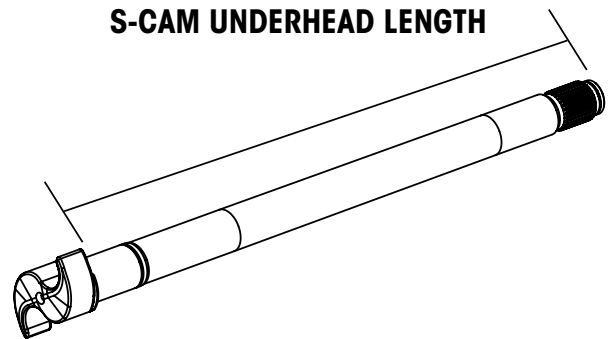
S-CAM (TRLAXLE®)				
BRAKE SIZE	16.50 × 7.00 or 16.50 × 8.63			
S-CAM SUPPORT	CAM BRACKET ONLY		CAM TUBE or CAM TUBE B2A PREP	
S-CAM SPLINE	10 Spline	28 Spline	10 Spline	28 Spline
S-CAM UNDERHEAD LENGTH	<i>(Left Side / Right Side)</i>		<i>(Left Side / Right Side)</i>	
30.5"		S-30594-28L / 28R		
32"		S-30594-29L / 29R		
32.5"		S-30594-30L / 30R		
33.375"		S-30594-31L / 31R		
35.5"		S-30594-32L / 32R		

S-CAM (TRLAXLE®)				
BRAKE SIZE	12.25 × 7.50			
S-CAM SUPPORT	CAM BRACKET ONLY		CAM TUBE or CAM TUBE B2A PREP	
S-CAM SPLINE	10 Spline	28 Spline	10 Spline	28 Spline
S-CAM UNDERHEAD LENGTH	<i>(Left Side / Right Side)</i>		<i>(Left Side / Right Side)</i>	
7"		S-31110-1L / 1R		
7.5"	S-31111-1L / 1R	S-31110-2L / 2R		
9"	S-31111-2L / 2R			
11.75"	S-31111-3L / 3R			
16.375"		S-31110-3L / 3R		
17.625"				S-31110-30L / 30R
19.375"		S-31110-43L / 43R		
20.625"		S-31110-4L / 4R	S-31111-21L/21R	S-31110-34L / 34R
20.75"		S-31110-35L / 35R		
21.5"	S-31111-4L / 4R	S-31110-5L / 5R		
22.25"		S-31110-6L / 6R		
22.625"				S-31110-36L/36R
23.375"	S-31111-5L / 5R	S-31110-7L / 7R		
23.75"	S-31111-6L / 6R	S-31110-8L / 8R	S-31111-8L / 8R	S-31110-16L / 16R
26"		S-31110-9L / 9R		
26.5"	S-31111-7L / 7R	S-31110-10L / 10R	S-31111-23L / 23R	S-31110-41L / 41R
27.75"		S-31110-11L / 11R		
28.25"		S-31110-12L / 12R		
29"		S-31110-13L / 13R		
30"				
31"		S-31110-14L / 14R		
32.5"		S-31110-15L / 15R		



S-CAM COMPONENTS (Continued)

S-CAM (TRLAXLE)		
BRAKE SIZE	15.00 × 8.63	
S-CAM SUPPORT	CAM TUBE	
S-CAM SPLINE	10 Spline	28 Spline
S-CAM UNDERHEAD LENGTH	<i>(Left Side / Right Side)</i>	
23.75"	S-31946-1L / 1R	S-31902-1L / 1R
26.5"	S-31946-3L / 3R	S-31902-3L / 3R



S-CAM (CONNEX® ST)		
BRAKE SIZE	16.5 × 7	
SPLINE SIZE		QTY
28	S-24636-1L / 1R	1

CAM TUBE SERVICE KIT (INTRAAX® & VANTRAAX®)		
BRAKE SIZE	PART NUMBER	QUANTITY PER WHEEL-END
Models shipped after April 2001		
16.5"	S-28890	1
15"	S-28891	1
Severe Service		
16.5"	S-31703	1
15"	S-31706	1
Kit Component List	Cam tube assembly, cam tube support brackets, outer cam washer, spider retaining ring, inner spline washer, spline retaining ring, S-cam journal washer, screws and nuts	

STANDARD SERVICE CAM TUBE (TRLAXLE®)					
BRAKE SIZE	16.5"		15"		QUANTITY
S-CAM SPLINE	10	28	10	28	
S-CAM UNDERHEAD LENGTH	PART NUMBER				
11.125"	S-35322-1	S-35322-6			1
17.625"	S-35322-2	S-35322-7			1
20.625"	S-35322-3	S-35322-8			1
23.75"	S-35322-4	S-35322-9	S-35322-4	S-35322-9	1
26.5"	S-35322-5	S-35322-10	S-35322-5	S-35322-10	1
Kit Component List	Cam tube sub-kit, support brackets, cam tube assembly and cam installation procedure				



S-CAM COMPONENTS (Continued)

SEVERE SERVICE CAM TUBE (TRLAXLE)			
BRAKE SIZE	16.5" or 12.25"		QUANTITY
S-CAM SPLINE	10	28	
S-CAM UNDERHEAD LENGTH	PART NUMBER		
23.75"	S-32122-5	S-32122	1
17.625"	S-32122-6	S-32122-1	1
20.625"	S-32122-7	S-32122-2	1
22.625"	S-32122-8	S-32122-3	1
26.5"	S-32122-9	S-32122-4	1
Kit Component List	Cam tube sub-kit, plate mounting cam bracket, cam tube assembly and cam installation procedure		

NON CAM TUBE OVERHAUL KIT (TRLAXLE)		
BRAKE SIZE	16.5" and 12.25"	QUANTITY
S-CAM UNDERHEAD LENGTH	PART NUMBER	
Any	S-31964	1
Kit Component List	Cam bearing assembly, screws, nuts, snap ring, washers, cam washer, spline retaining ring, spider retaining ring, bushing spider and cam bushing seal	

S-CAM OVERHAUL KITS (INTRAAX® & VANTRAAX®)			
OUTSIDE DIMENSION OF SPIDER BUSHING	PART NUMBER		QUANTITY
	Per Axle	Per Wheel	
Shipped before 11-24-1997			
1.88"	S-21181	S-21181/2	1
Shipped between 11-21-1997 and 4-1-2001			
2.00"	S-23974	S-23974/2	1
Kit Component List	Outer cam washer, spider seals, camshaft bushing, S-cam journal washer, spider retaining ring, spline inner washer, spline retaining ring and S-cam support bushing assembly		

CLAMP ON DUST SHIELD KIT – DRUM BRAKES			
AXLE DIAMETER	PART NUMBER	QUANTITY PER AXLE	NOTES
15" Brake			
5" Axle	S-28500-1550	1	Includes (1) dust shield and hardware
16.5" Brake			
5" Axle	S-28500-1650	1	Replaces S-23579/2; Includes (1) dust shield and hardware
5.75" LDA™ Large-Diameter Axle	S-28500-1657	1	Includes (1) dust shield and hardware

S-CAM COMPONENTS (Continued)

DUST SHIELD KIT (CONNEX® ST)		
PART NUMBER	QUANTITY PER AXLE	NOTES
S-37611-1650L	1	Includes (1) left side upper and lower dust shield and hardware
S-37611-1650R	1	Includes (1) right side upper and lower dust shield and hardware

DUST SHIELD HARDWARE KIT (CONNEX ST)		
PART NUMBER	QUANTITY PER AXLE	NOTES
S-37610-500	2	Includes (2) plugs, (4) clip nuts and (4) bolt and washer assemblies

S-CAM BUSHINGS AND SEALS (CONNEX ST)		
PART NUMBER	QUANTITY PER AXLE	NOTES
S-38983-1	2	Includes (2) bushings and (2) seals

*Actual product performance may vary depending upon vehicle configuration, operation, service and other factors.
All applications must comply with applicable Hendrickson specifications and must be approved by the respective vehicle manufacturer with the vehicle in its original, as-built configuration.
Contact Hendrickson for additional details regarding specifications, applications, capacities, and operation, service and maintenance instructions.*

Call Hendrickson at 866.RIDEAIR (743.3247) for additional information.



www.hendrickson-intl.com

TRAILER COMMERCIAL VEHICLE SYSTEMS

2070 Industrial Place SE
Canton, OH 44707-2641 USA
866.RIDEAIR (743.3247)
Fax 800.696.4416

Hendrickson Canada ULC

2825 Argenta Road, Unit #2 - 4
Mississauga, ON Canada L5N 8G6
800.668.5360
905.789.1030 • Fax 905.812.9423

Hendrickson Mexicana

Circuito El Marqués Sur #29
Parque Industrial El Marqués
Pob. El Colorado, Municipio El Marqués,
Querétaro, México C.P. 76246
+52 (442) 296.3600 • Fax +52 (442) 296.3601

L1104 Rev J 08-24

© 2008 – 2024 Hendrickson USA, L.L.C. All Rights Reserved. All trademarks shown are owned by Hendrickson USA, L.L.C., or one of its affiliates, in one or more countries.
Information contained in this literature was accurate at the time of publication. Product changes may have been made after the copyright date that are not reflected.

Printed in United States of America