

H PARTS LIST

STEERTEK™ NXT High-capacity Steer Axle System for E-ONE Fire/Rescue Vehicles

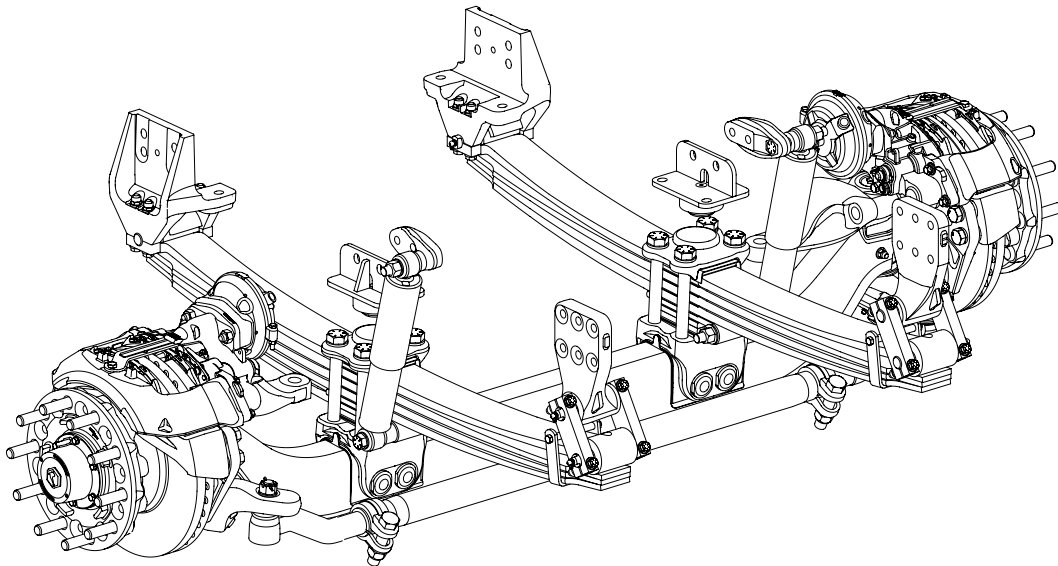
LIT NO: SP-363

DATE: March 2026

REVISION: A

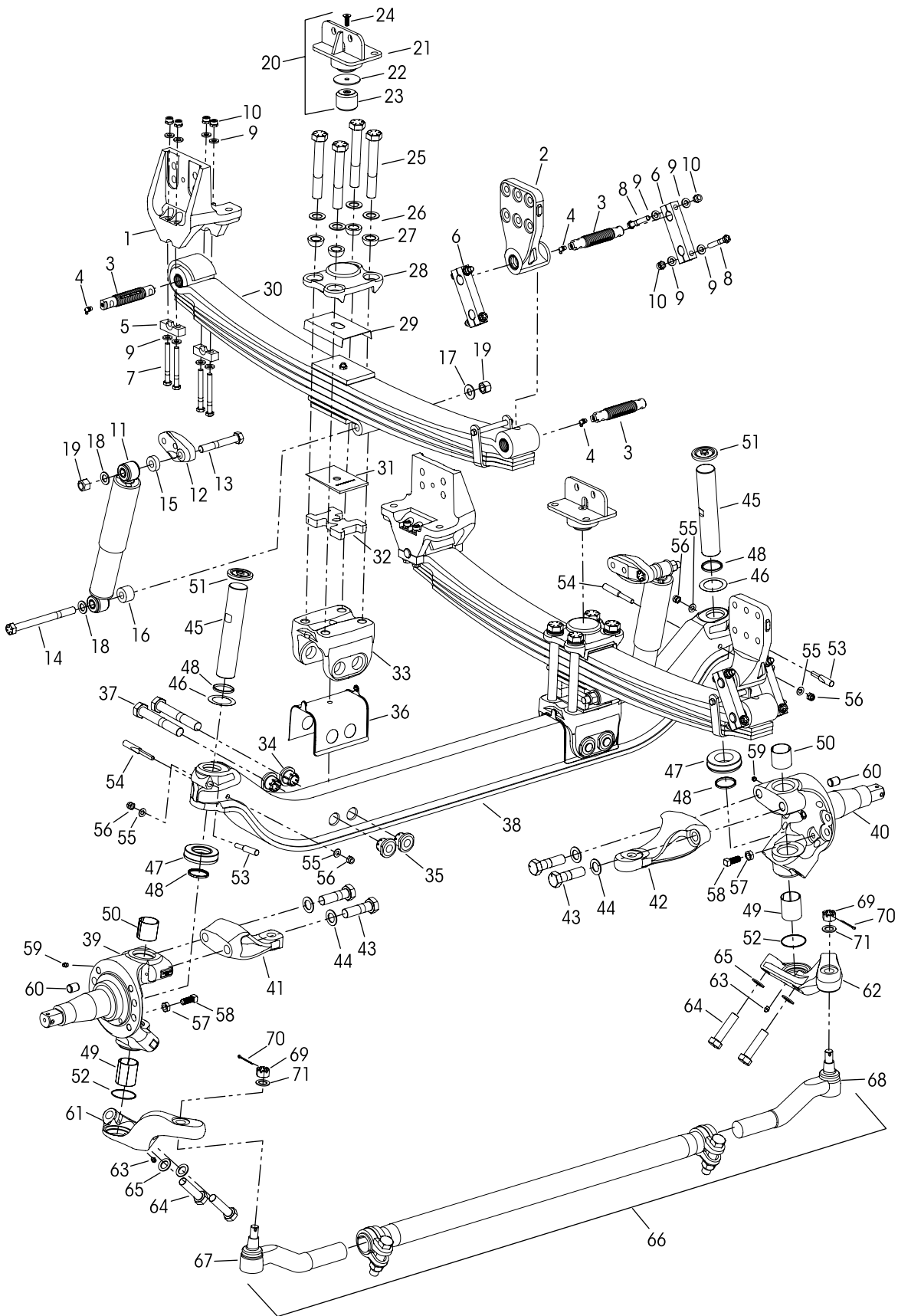
CONTENTS

| DESCRIPTION | PAGE |
|---|------|
| Parts Lists | |
| ■ Suspension • Axle • Clamp Group Assembly . . . | 2 |
| ■ Wheel End Assembly with Air Disc Brakes | 4 |
| Selection Guides | 5 |
| Special Tools | 6 |





Suspension • Clamp Group • Axle Assembly



STEERTEK™ NXT High-capacity Steer Axle System for E-ONE Fire / Rescue Vehicles

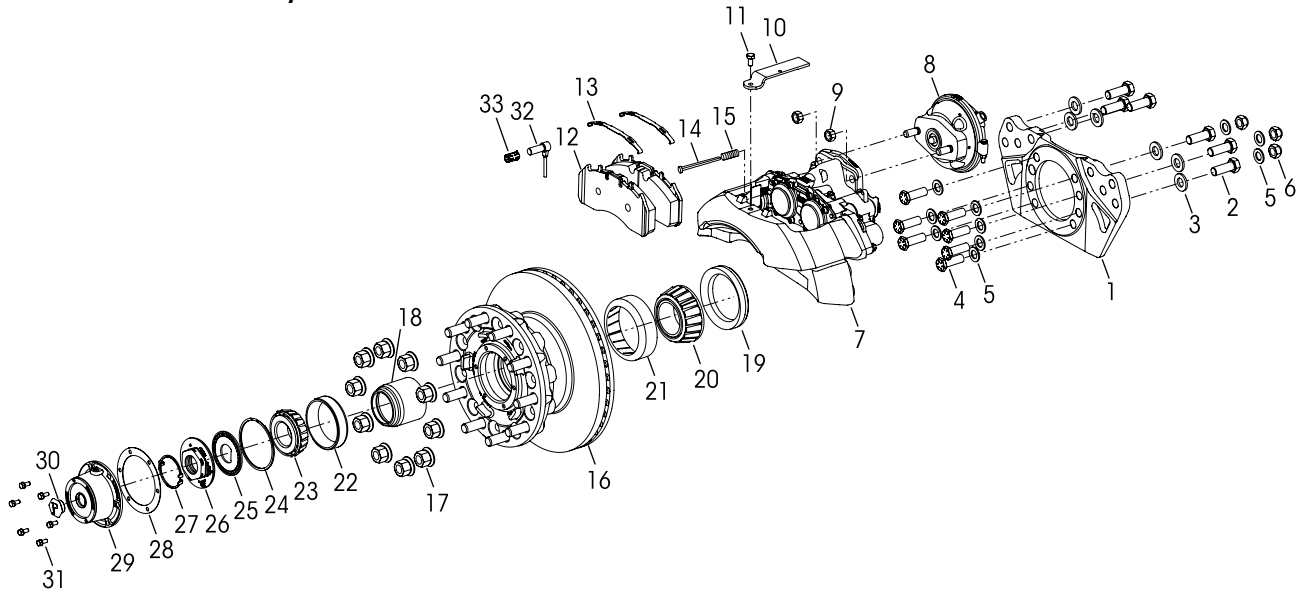
| | | | | VEHICLE | | | | | VEHICLE |
|---------|------------|---|--|---------|---------|-----------|---|--|---------|
| KEY NO. | PART NO. | DESCRIPTION | | QTY. | KEY NO. | PART NO. | DESCRIPTION | | QTY. |
| 1 | 79894-003 | Frame Hanger Assembly | | 2 | 36 | 78887-001 | Axle Seat Liner | | 2 |
| 2 | 80159-001 | Front | | 2 | 37 | 48941-007 | *1"-8 UNC x 6½" Hex Thru Bolt | | 4 |
| | | Rear with Bushing | | 2 | 38 | 94791-XXX | STEERTEK NXT Axle Fire and Rescue, Includes Key Nos. 39-71, See Table 2 on Page 5 | | 1 |
| | | Frame Hanger Fastener Service Kit, One Side | | | | | Knuckle Assembly, Includes Key Nos. 48, 57-60 | | |
| | 34013-247 | Front, Includes Key Nos. 5, 7, 9-10 | | | 39 | 77243-001 | Left Hand | | 1 |
| | 34013-248 | Rear, Includes Key Nos. 3-4, 6, 8-10 | | | 40 | 77243-002 | Right Hand | | 1 |
| | 34013-249 | Single Threaded Pin and Grease Zerk Service Kit, Includes Key Nos. 3-4 | | | | | Steering Arm | | |
| 3 | 79891-000 | *Threaded Pin | | 6 | 41 | 79685-004 | Left Hand | | 1 |
| 4 | 91123-000 | *Grease Zerk | | 6 | 42 | 79685-003 | Right Hand | | 1 |
| 5 | 79843-000 | Front Hanger Bottom Cap | | 4 | 43 | 30550-040 | 1"-14 UNF x 3¼" Hex Bolt | | 4 |
| 6 | 79888-001 | Rear Shackles | | 4 | 44 | 22962-051 | 1" Flat Washer | | 4 |
| 7 | 80362-001 | ½"-20 UNC x 4½" Hex Bolt | | 8 | | 34013-230 | Kingpin Service Kit, One Side | | |
| 8 | 80362-002 | ½"-20 UNC x 3¼" Shackle Hex Bolt | | 8 | | | Includes Key Nos. 45, 46a, 47-56, 64-65 | | |
| 9 | 22962-014 | ½" Flat Washer | | 32 | 45 | 75923-001 | *Kingpin | | 2 |
| 10 | 17700-034 | ½"-20 UNC Locknut | | 16 | 46 | | Kingpin Shim (As needed for service) | | 2 |
| 11 | 80606-001L | Shock Absorber | | 2 | a | 77241-002 | 0.01" Thickness | | |
| 12 | 78250-002 | Shock Bracket | | 2 | b | 77241-003 | 0.02" Thickness | | |
| 13 | 50764-008 | ¾"-10 UNC x 5" Upper Shock Hex Bolt | | 2 | 47 | 75918-001 | Thrust Bearing | | 2 |
| 14 | 50764-014 | ¾"-10 UNC x 8½" Lower Shock Hex Bolt | | 2 | 48 | 75966-001 | Kingpin Seal | | 4 |
| | | Shock Spacer | | | | | Kingpin Bushing | | |
| 15 | 59946-006 | Upper, 13.2 mm Thick | | 2 | 49 | 75919-001 | Lower, 2½" Length | | 2 |
| 16 | 59946-015 | Lower Outboard, 28 mm Thick | | 2 | 50 | 75919-002 | Upper, 2" Length | | 2 |
| 17 | 59946-005 | Lower Inboard, 3 mm Thick | | 2 | 51 | 77209-001 | Grease Cap | | 2 |
| 18 | 22962-001 | ¾" Flat Washer | | 4 | 52 | 68303-004 | O-Ring | | 2 |
| 19 | 49842-000 | ¾"-10 UNC Locknut | | 4 | | | Kingpin Draw Key | | |
| 20 | 93558-000 | Jounce Stop Assembly, Includes Key Nos. 21-24 | | 2 | 53 | 75925-001 | Upper, 3¾" Length | | 2 |
| 21 | 93559-000 | *Jounce Stop | | 2 | 54 | 75925-002 | Lower, 4¾" Length | | 2 |
| 22 | 80175-000 | *Spacer | | 2 | 55 | 22962-054 | 7/16" Flat Washer | | 4 |
| | 34013-505 | Jounce Stop Service Kit, One Side, Includes Key Nos. 23-24 | | | 56 | 17700-008 | 7/16"-14 UNC-2B Nut | | 4 |
| 23 | 80176-000 | *Rubber Bump Stop | | 2 | 57 | 17491-023 | 5/8"-11 UNC-2B Jam Nut | | 2 |
| 24 | 80177-000 | *M10 x 1.5 x 30 mm Flat Socket Cap Screw | | 2 | 58 | 93334-001 | 5/8"-11 UNC x 1½" Set Screw | | 2 |
| | 94788-XXX | Leaf Spring & Clamp Group Assembly, Includes Key Nos. 25-37, See Table 1 on Page 5 | | 2 | 59 | 33117-000 | Grease Zerk | | 2 |
| | 34013-XXX | Clamp Group Service Kit, One Side, Includes Key Nos. 25-27 & 29, See Table 1 on Page 5 | | | 60 | 64246-000 | ABS Sensor Sleeve | | 2 |
| 25 | 64107-XXX | 1"-8 UNC Hex Bolt, See Table 1 on Page 5 | | 8 | | 77244-XXX | Tie Rod Arm Assembly, Includes Key No. 63 See Table 2 on Page 5 | | |
| 26 | 22962-051 | 1" Flat Washer (if equipped) See Table 1 on Page 5 | | 8 | 61 | | Left Hand | | 1 |
| 27 | 78356-002 | 1" Spherical Washer | | 8 | 62 | | Right Hand | | 1 |
| 28 | 78888-000 | Top Pad | | 2 | 63 | 33117-000 | Grease Zerk | | 2 |
| 29 | 79273-001 | Spring Liner | | 2 | 64 | 30418-015 | 7/8"-14 UNF x 3¼" Hex Bolt | | 4 |
| 30 | | Leaf Spring Assembly, See Table 1 on Page 5 | | 2 | 65 | 22962-002 | 7/8" Flat Washer | | 4 |
| 31 | 80143-001 | Caster Wedge - 2° | | 2 | 66 | 79365-001 | Tie Rod Assembly, 20K Drop, Includes Key Nos. 67-69 | | 1 |
| 32 | | Leaf Spring Spacer (if equipped) See Table 1 on Page 5 | | 4 | | | Tie Rod End Service Kits, | | |
| 33 | 77232-000 | Axle Seat | | 2 | | 60961-884 | Axle Set, Includes Kit Nos. 60961-882 and -883 | | |
| | 34013-229 | Axle Clamp Collar Service Kit, One Side | | | | 60961-882 | Left Hand, Includes Key Nos. 67, 69-71 | | |
| | | Includes Key Nos. 34-37 | | | | 60961-883 | Right Hand, Includes Key Nos. 68-71 | | |
| | | *Axle Collar | | | | | *Tie Rod End, Includes Key No. 69 | | |
| 34 | 77186-001 | Non Threaded (Bolt Side) | | 4 | 67 | 79366-001 | Left Hand | | 1 |
| 35 | 77185-001 | Threaded (Tie Rod Side) | | 4 | 68 | 79366-002 | Right Hand | | 1 |
| | | | | | 69 | | *7/8"-14 UNF-2A Castle Nut | | 2 |
| | | | | | 70 | 17800-004 | *Cotter Pin | | 2 |
| | | | | | 71 | 22962-002 | *7/8" Flat Washer | | 2 |

NOTE: * Item included in kit/assembly only, part not sold separately.

** These components are installed by Hendrickson for new production assembly but not supplied for aftermarket service purposes. Description and part number listed for reference only. For more information and assistance with service, maintenance and rebuild instructions on these components see below component manufacturers:

- **Bendix** 1-800-AIR-BRAKE or www.bendix.com/en/services-and-support/b2bendix-quick-links (Parts) and www.bendix.com/en/services-and-support/brake-school (Training)
- **ConMet** 800-547-9473 or www.conmet.com
- **DRiV Incorporated** 800.325.8886 or www.drivparts.com
- **Meritor** 888.725.9355, or www.meritorpartsexpress.com (Parts) and www.meritorbullpen.com (Technical Support)
- **WABCO-ZF Friedrichshafen** 855.228.3203 or www.wabco-customercentre.com

■ Wheel End Assembly with Air Disc Brakes



| KEY NO. | PART NO. | DESCRIPTION | VEHICLE QTY. |
|---------|-----------|--|--------------|
| 1 | 80131-001 | **Meritor Torque Plate Assembly Left Hand, Part No. 3215-F-1878 | 1 |
| | 80131-002 | Right Hand, Part No. 3215-E-1877 | 1 |
| 2 | 69781-002 | M20 Hex Head Bolt, 55 mm | 12 |
| 3 | 58246-018 | M20 Flat Washer | 12 |
| 4 | 80345-004 | 3/4"-16 UNC x 2 1/4" Low Profile Hex Head Bolt | 14 |
| 5 | 22962-001 | 3/4" Flat Washer | 20 |
| 6 | 80691-001 | 3/4"-16 UNC Hex Locknut | 6 |
| 7 | | **Meritor Caliper Assembly, Includes Key Nos. 10-11, 14-15 | |
| | 93062-001 | Left Hand, Part No. EX225H202XX000S | 1 |
| | 93062-002 | Right Hand, Part No. EX225H201XX000S | 1 |
| 8 | | **WABCO Air Brake Chamber MGM T24L, Includes K80131-001 Key No. 9 | |
| | 80137-002 | Left Hand, Part No. 423 506 1340 | 1 |
| | 80137-003 | Right Hand, Part No. 423 506 1350 | 1 |
| 9 | | **Hex Nut | 4 |
| | | **Meritor Disc Brake Pad Retainer Kit No. 225281, Includes Key Nos. 10-11 | |
| | | **Meritor Disc Brake Pad Kit No. 2252H2CG, Includes Key Nos 12-13 | |
| | | **Meritor Wear Indicator Kit No. 225224, Includes Key Nos. 14-15 | |
| 10 | | **Pad Retainer | |
| 11 | | **Pad Retainer Bolt | |
| 12 | | **Air Disc Brake Pad | |
| 13 | | **ADB Pad Spring | |
| 14 | | **Wear Indicator | |
| 15 | | **Wear Indicator Spring | |

| KEY NO. | PART NO. | DESCRIPTION | VEHICLE QTY. |
|---------|-----------|--|--------------|
| 16 | | **ConMet Hub and Rotor Assembly, Includes Bearings and Seals | 2 |
| | 80136-002 | Part No. 10083224 | |
| | 93312-001 | Part No. 10087600 | |
| | | **ConMet Brake Rotor Replacement Kit No. 10082181, One Wheel End, Includes Rotor and 10 of each Cap Screws and Washers | |
| 17 | A-24695 | **M22 x 1.5 Two-piece Wheel Nut | 20 |
| | | **ConMet Hub Bearing Rebuild Kit No. 10081728, One Wheel End, Includes Key Nos. 18-23 | |
| | | **ConMet Wheel Seal Kit No. 10081519, One Wheel End, Includes Key Nos. 18-19 | |
| 18 | | **Bearing Spacer Part No. 10034342 | |
| 19 | 10080435 | **Wheel Seal Part No. 10045883 | |
| 20 | | **Inner Bearing Cone Part No. 10041922 | |
| 21 | | **Inner Bearing Cup Part No. 10041921 | |
| 22 | | **Outer Bearing Cup Part No. 10041923 | |
| 23 | | **Outer Bearing Cone Part No. 10041924 | |
| | | **ConMet Preset Plus FL Nut Assembly Kit No. 10036550, Includes Key Nos. 24-27 | |
| 24 | | **Snap Ring - Double Wind Part No. 10033288 | |
| 25 | | **Spindle Nut Lockwasher Part No. 10031171 | |
| 26 | | **Outer Spindle Nut Part No. 10031170 | |
| 27 | | **Snap Ring Retainer Part No. 10031172 | |
| 28 | 80600-000 | **Drivparts Hub Cap Gasket No. G-3009 | 2 |
| 29 | 015293-03 | **Drivparts Hub Cap Part No. 343-009, Includes Key No. 30 | 2 |
| 30 | | **Rubber Plug | |
| 31 | 64545-002 | 5/16"-18 UNC x 3/4" Hex Bolt with Retained Washer | 12 |
| 32 | M10HY112 | **WABCO ABS Sensor Part No. 441-032-900-0 | 2 |
| 33 | 64550-000 | ABS Sensor Clip | 2 |

■ Selection Guides

TABLE 1 Leaf Spring Assembly and Components

| Capacity (lb) | Ride Height (in) | Leaf Spring and Clamp Group Assembly | Clamp Group Service Kit | Leaf Spring Assembly Key No. 30 | 1" Hex Bolt Key No. 25 | | 1" Flat Washer Key No. 26 <i>(Use only as specified)</i> | Leaf Spring Spacer Key No. 32 | | |
|---------------|------------------|---|-------------------------|---------------------------------|------------------------|-------------|---|-------------------------------|-----|----------------|
| | | <i>Refer to Parts List for Contents</i> | | | Part No. | Length (in) | Part No. | Part No. | Qty | Thickness (in) |
| 18K | 8.0 | 94788-001 | 34013-228 | 82378-260 | 7.0 | 64107-002 | 22962-051 | N/A | | |
| | 8.5 | 94788-002 | 34013-254 | 82378-261 | 7.5 | 64107-000 | | N/A | | |
| | 9.0 | 94788-003 | 34013-419 | 82378-260 | 8.0 | 64107-001 | | 1 | 1 | 79814-000 |
| | 9.5 | 94788-004 | 34013-420 | 82378-261 | 8.5 | 64107-006 | | N/A | | |
| 20K | 8.0 | 94788-101 | 34013-228 | 82379-310 | 7.0 | 64107-002 | 22962-051 | N/A | | |
| | 8.5 | 94788-102 | 34013-254 | 82379-311 | 7.5 | 64107-000 | | N/A | | |
| | 9.0 | 94788-103 | 34013-419 | 82379-310 | 8.0 | 64107-001 | | 1 | 1 | 79814-000 |
| | 9.5 | 94788-104 | 34013-420 | 82379-311 | 8.5 | 64107-006 | | N/A | | |
| 24K | 7.85 | 94788-201 | 34013-228 | 82380-410 | 7.0 | 64107-002 | N/A | N/A | | |
| | 8.35 | 94788-202 | 34013-254 | 82380-411 | 7.5 | 64107-000 | | N/A | | |
| | 8.85 | 94788-203 | 34013-419 | 82380-410 | 8.0 | 64107-001 | | 1 | 1 | 79814-000 |
| | 9.35 | 94788-204 | 34013-420 | 82380-411 | 8.5 | 64107-006 | | N/A | | |

⚠ WARNING USE 1" FLAT WASHERS (PART NO. 22962-051) ONLY AS SPECIFIED IN TABLE 1 (LEAF SPRING ASSEMBLY AND COMPONENTS). THE TABLE LISTS DIFFERENT CONFIGURATIONS FOR THIS ASSEMBLY. IN CERTAIN CONFIGURATIONS, THE CLAMP GROUP REQUIRES THE USE OF 1" FLAT WASHERS (PART NO. 22962-051) WITH THE SPECIFIED 1" HEX BOLT LENGTH, BUT NOT IN OTHER CONFIGURATIONS. IMPROPER CLAMP FORCE IN THE LEAF SPRING AND CLAMP GROUP ASSEMBLY, IMPROPER SEATING AND COMPONENT DAMAGE CAN CAUSE LOSS OF VEHICLE CONTROL, POSSIBLE PERSONAL INJURY, DEATH, OR PROPERTY DAMAGE.

TABLE 2 STEERTEK NXT Axle and Tie Rod Arm Assembly

| Wheelbase (in) | STEERTEK NXT Axle Assembly Part No. | Tie Rod Arm Assembly Part No. | |
|----------------|-------------------------------------|-------------------------------|-----------------------|
| | Key No. 38 | Left Hand Key No. 61 | Right Hand Key No. 62 |
| 171-200 | 94791-002 | 77244-059 | 77244-060 |
| 201-230 | 94791-004 | 77244-061 | 77244-062 |
| 231-270 | 94791-006 | 77244-063 | 77244-064 |

■ Special Tools

NOTE: Hendrickson does not supply these tools. Contact tool manufacturer.

KINGPIN BUSHING TOOLS

ADJUSTABLE STRAIGHT FLUTE REAMER

2.00" to 2.01" Cutting Diameter

McMaster-Carr #3141A28



OR

PRECISION-FINISH CYLINDER HONE

1.75" to 2.75" Cylinder ID

McMaster-Carr #7362A45



EXTENSION PILOT TOOL

for 1.78" to 2.09" Adjustable Reamer

McMaster-Carr #3004A32



STEERING STOP BOLT JAM NUT TOOL

DUAL OPEN-END WRENCH

1⁵/₁₆" - 60°/15° Angle Wrench

Martin Tools #3719



This is a general parts list to provide directional information. Components may vary by model. Questions in regards to parts, contact Hendrickson Truck Parts at 855.743.3733 (Toll-free U.S. and Canada), 630.910.2800 (Outside U.S. and Canada) or email: truckparts@hendrickson-intl.com.

Actual product performance may vary depending upon vehicle configuration, operation, service and other factors.

All applications must comply with applicable Hendrickson specifications and must be approved by the respective vehicle manufacturer with the vehicle in its original, as-built configuration.

Contact Hendrickson for additional details regarding specifications, applications, capacities, and operation, service and maintenance instructions.

Call Hendrickson at 630.910.2800 or 855.RIDERED (855.743.3733) for additional information.



www.hendrickson-intl.com

TRUCK COMMERCIAL VEHICLE SYSTEMS

800 South Frontage Road
Woodridge, IL 60517-4904 USA
855.743.3733 (Toll-free U.S. and Canada)
630.910.2800 (Outside U.S. and Canada)
Fax 630.910.2899

SP-363 Rev A 03-26

© 2026 Hendrickson USA, L.L.C. All Rights Reserved. All trademarks shown are owned by Hendrickson USA, L.L.C., or one of the affiliates, in one or more countries.

Information contained in this literature was accurate at the time of publication. Product changes may have been made after the copyright date that are not reflected.

Printed in United States of America