

H PARTS LIST

AIRTEK® Front Air Suspension System for Spartan Motorhome Chassis

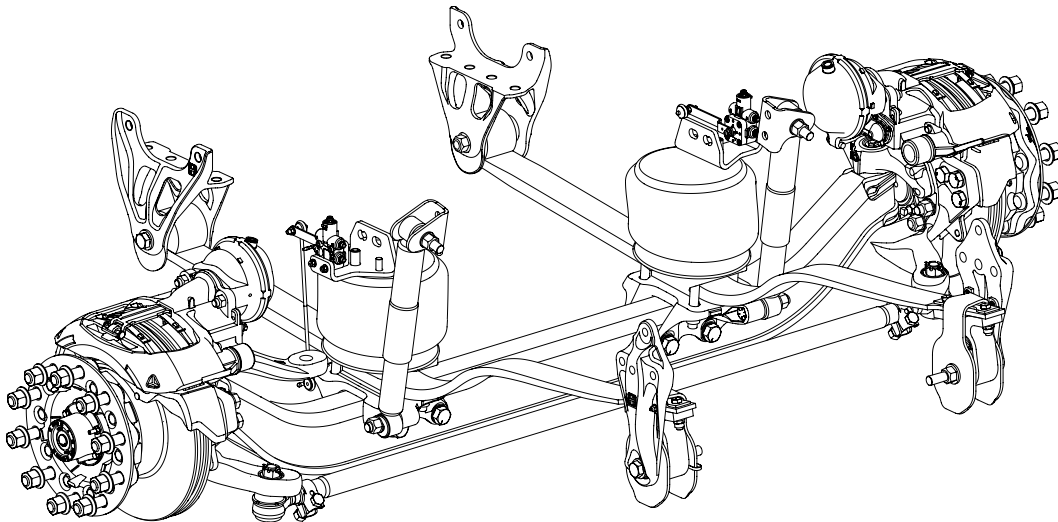
LIT NO: SP-184

DATE: November 2022

REVISION: I

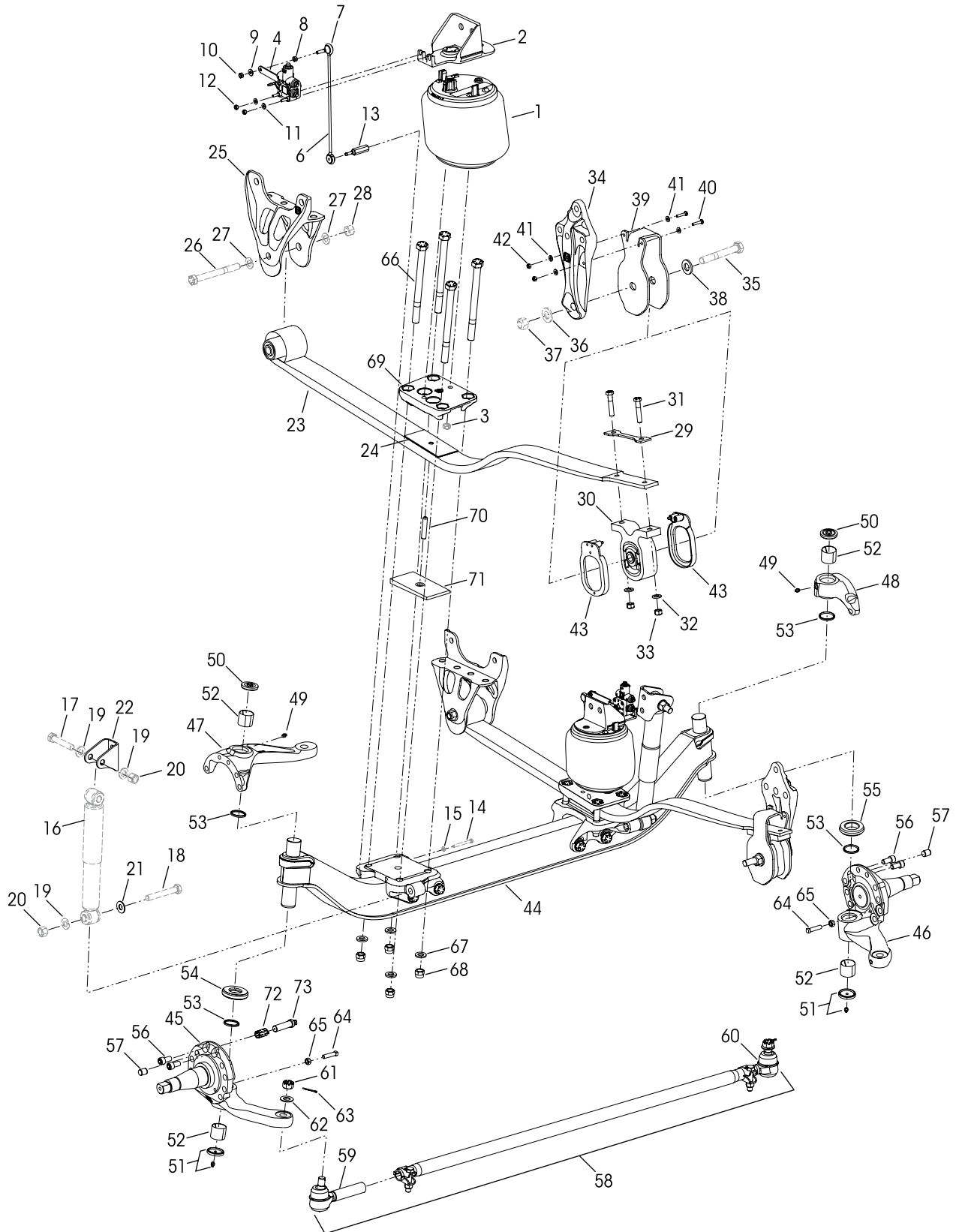
CONTENTS

| DESCRIPTION | PAGE | DESCRIPTION | PAGE |
|---|------|--|------|
| Parts Lists | | Tie Rod Selection Guide | 7 |
| ■ 12.4K Capacity – Equipped with STEERTEK™ NXT Axle and Air Disc Brakes | 2 | Notes | 7 |
| ■ 13.5K • 14.6K Capacity – Equipped with STEERTEK NXT Axle and Air Disc Brakes. | 4 | STEERTEK Axle Replacement Guide | 9 |
| ■ 10.5K • 12K • 12.6K • 14.6K Capacity – Equipped with STEERTEK Axle and Drum Brakes | 8 | Special Tool | 11 |



AIRTEK with STEERTEK NXT Axle built after May 2019

12.4K Capacity
Equipped with Air Disc Brakes





AIRTEK® with STEERTEK™ NXT Axle for Spartan Motorhome Chassis

| VEHICLE | | | | VEHICLE | | | |
|---------|------------|--|------|-----------|------------|--|------|
| KEY NO. | PART NO. | DESCRIPTION | QTY. | KEY NO. | PART NO. | DESCRIPTION | QTY. |
| 1 | 66349-002 | Air Spring | 2 | | | Lower Steering Knuckle Assembly, Includes Key Nos. 52-53, 57 | |
| 2 | 60850-002 | Upper Air Spring Bracket | 2 | 45 | 58900-427 | Left Hand | 1 |
| 3 | | *1/2"-13 UNC Locknut | 2 | 46 | 58900-428 | Right Hand | 1 |
| | | Height Control Valve & Linkage Assembly | | | | Upper Steering Knuckle Assembly, Includes Key Nos. 52-53 | |
| | 66277-001 | Left Hand, Includes Key Nos. 4, 6-12 | 1 | 47 | 60903-404 | Left Hand | 1 |
| | 66277-002 | Right Hand, Includes Key Nos. 5-12 | 1 | 48 | 60904-402 | Right Hand | 1 |
| | | Height Control Valve | | | | Kingpin Bushing and Bearing Service Kits | |
| 4 | 66414-001 | Left Hand | 1 | | 60961-628 | Axle Set , Includes Kit Nos. 60961-629 & -630 | |
| 5 | 66414-002 | Right Hand | 1 | | 60961-629 | Left Hand with Composite Thrust Bearing , Includes Key Nos. 49-54, 56, Loctite | |
| 6 | 59428-001 | Linkage Rod - 335 mm | 2 | | 60961-630 | Right Hand with Roller Thrust Bearing , Includes Key Nos. 49-53, 55-56, Loctite | |
| 7 | 59169-000 | 5/16"-18 UNC Stud | 2 | 49 | 33117-000 | Grease Zerk | 2 |
| 8 | 17491-011 | 5/16"-18 UNC Hex Nut | 2 | 50 | 68687-003 | Grease Cap Assembly, Upper | 2 |
| 9 | 22962-029 | 5/16" Hardened Washer | 2 | 51 | 68687-002 | Grease Cap Assembly, Lower | 2 |
| 10 | 59016-000 | 5/16"-18 UNC Locknut | 2 | 52 | 58909-001 | Kingpin Bushing | 4 |
| 11 | 22962-028 | 1/4" Hardened Washer | 4 | | | Thrust Bearing Service Kits | |
| 12 | 49983-000 | 1/4"-20 UNC Locknut | 4 | | 60961-631 | Axle Set , Includes Kit Nos. 60961-632 & -633 | |
| 13 | 59429-001 | Lower Link Mount | 2 | | 60961-632 | Left Hand Composite Thrust Bearing , Includes Key Nos. 53-54, 56, Loctite | |
| 14 | | *3/8"-16 UNC x 3 1/2" Hex Bolt | 2 | | 60961-633 | Right Hand Roller Thrust Bearing , Includes Key Nos. 53, 55-56, Loctite | |
| 15 | | *3/8" Flat Washer | 2 | 53 | 68731-000 | Kingpin Seal | 4 |
| 16 | | *Shock Absorber | 2 | 54 | 59828-000 | Left Hand Composite Thrust Bearing | 1 |
| 17 | | *3/4"-10 UNC Upper Shock Bolt | 2 | 55 | 64256-000L | Right Hand Roller Thrust Bearing | 1 |
| 18 | | *3/4"-10 UNC Lower Shock Bolt | 2 | 56 | 60236-001 | 5/8" Socket Head Cap Screw | 4 |
| 19 | | *3/4" Hardened Washer | 6 | Not Shown | 60937-000 | Loctite® (Red) Compound Tube | 1 |
| 20 | | *3/4"-10 UNC Hex Locknut | 4 | 57 | 64246-000 | ABS Sensor Sleeve | 2 |
| 21 | 22962-046 | Shock Spacer (Flat Washer) - 0.118" Thick | 2 | 58 | | Tie Rod Assembly, Includes Key Nos. 59-61 <i>See Selection Guide on Page 7</i> | 1 |
| 22 | 59423-002 | Shock Bracket | 2 | | 60961-XXX | Tie Rod End Service Kits , <i>See Selection Guide on Page 7</i> | |
| | | ***Leaf Spring Assembly, Includes Key Nos. 23-24, 29-33, 43 | | | | Axle Set , Includes Left Hand & Right Hand Kits | |
| | 82598-000 | Left Hand | 1 | | | Left Hand , Includes Key Nos. 59, 61-63 | |
| | 82599-000 | Right Hand | 1 | | | Right Hand , Includes Key Nos. 60-63 | |
| 23 | | **Leaf Spring with Spring Eye Bushing | 2 | | | Tie Rod Ends, Includes Key No. 61, <i>See Selection Guide on Page 7</i> | |
| 24 | | **Galvanized Liner | 2 | 59 | | Left Hand | 1 |
| 25 | 64488-000 | Front Hanger | 2 | 60 | | Right Hand | 1 |
| 26 | | *M20 Bolt | 2 | 61 | | **7/8" Castle Nut | 2 |
| 27 | | *M20 Washer | 4 | 62 | 22962-007 | 7/8" Hardened Washer | 2 |
| 28 | | *M20 Locknut | 2 | 63 | 17800-004 | Cotter Pin | 2 |
| | 60961-002 | Rear Spring Mount Service Kit, One Side , Includes Key Nos. 29-33 | | | 60961-069 | Stop Bolt Service Kit, One Side , Includes Key Nos. 64-65 | |
| 29 | 58920-000 | Spring End Plate | 2 | 64 | 60238-001 | 1/2"-13 UNC Square Head Bolt | 2 |
| 30 | 58918-000 | Rear Spring Mount | 2 | 65 | 60240-000 | 1/2"-13 UNC Hex Jam Nut | 2 |
| 31 | 30970-011 | 1/2"-20 UNF x 2 1/4" Hex Bolt | 4 | | 34013-383 | Clamp Group Fastener Kit, Axle Set , Includes Key Nos. 66-68 | |
| 32 | 22962-014 | 1/2" Hardened Washer | 4 | 66 | 58917-001 | 3/4"-10 UNC x 4 1/4" Hex Bolt | 8 |
| 33 | 17700-034 | 1/2"-20 UNF Nylon Locknut | 4 | 67 | 22962-001 | 3/4" Hardened Washer | 8 |
| | 59829-001 | Rear Hanger Assembly, Includes Key Nos. 34, 38-42 | 2 | 68 | 17700-033 | 3/4"-10 UNC-2B Nylocknut | 8 |
| 34 | 59825-000 | Rear hanger | 2 | 69 | 59826-000 | Top Pad | 2 |
| 35 | | *3/4"-10 UNC Hex Bolt | 2 | 70 | 57159-004 | 1/2" Dowel Pin - 2.63" | 2 |
| 36 | | *3/4" Flat Washer | 2 | 71 | 68861-000 | Caster Wedge | 2 |
| 37 | | *3/4"-10 UNC Locknut | 2 | 72 | A-22930-4 | ABS Sensor | 2 |
| | 60961-016 | Rear Hanger Clamp Service Kit, One Side , Includes Key Nos. 38-43 | | 73 | 64550-000 | ABS Sensor Clip | 2 |
| 38 | 22962-033 | 3/4" Wide Washer | 2 | | | Air Disc Brake Assembly, <i>see Page 6 for Contents</i> | 2 |
| 39 | 59830-001 | Rear Hanger Clamp | 2 | | | | |
| 40 | 56935-001 | 1/4"-20 UNC x 1 1/4" Hex Bolt | 4 | | | | |
| 41 | 22962-028 | 1/4" Hardened Washer | 8 | | | | |
| 42 | 49983-000 | 1/4"-20 UNC Locknut | 4 | | | | |
| 43 | 59346-001 | Thrust Washer | 4 | | | | |
| | 68977-008 | STEERTEK NXT Axle Assembly , Includes Key Nos. 44-65 | 1 | | | | |
| 44 | 68976-001M | Axle & Kingpin Assembly | 1 | | | | |



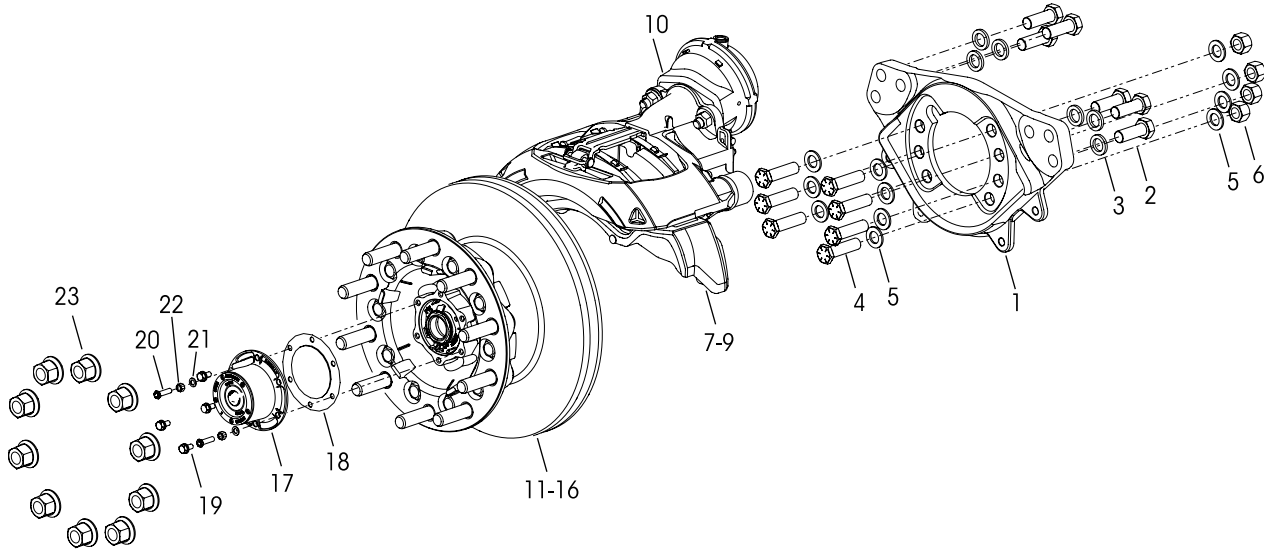
AIRTEK® with STEERTEK™ NXT Axle for Spartan Motorhome Chassis

| KEY NO. | PART NO. | DESCRIPTION | VEHICLE QTY. | KEY NO. | PART NO. | DESCRIPTION | VEHICLE QTY. |
|---------|------------|---|--------------|-----------|------------|---|--------------|
| 1 | 65790-002L | Air Spring | 2 | 46 | | Axle & Kingpin Assembly | 1 |
| 2 | 66140-000 | Upper Air Spring Bracket | 2 | | 68966-005M | 13.5K | |
| 3 | | *3/4" Flat Washer | 2 | | 68976-002M | 14.6K | |
| 4 | | *3/4"-16 UNF Locknut | 2 | | | Lower Steering Knuckle Assembly, Includes Key Nos. 54-55, 59 | |
| 5 | | *1/2"-13 UNC Locknut | 2 | 47 | 58900-427 | Left Hand | 1 |
| | 66277-005 | Height Control Valve & Linkage Assembly Left Hand, Includes Key Nos. 6, 8-14 | 1 | 48 | 58900-428 | Right Hand | 1 |
| | 66277-006 | Right Hand, Includes Key Nos. 7-14 | 1 | | | Upper Steering Knuckle Assembly, Includes Key Nos. 54-55 | |
| 6 | 66414-001 | Height Control Valve Left Hand | 1 | 49 | 60903-404 | Left Hand | 1 |
| 7 | 66414-002 | Right Hand | 1 | 50 | 60904-402 | Right Hand | 1 |
| 8 | 59428-013 | Linkage Assembly - 352 mm | 2 | | | Kingpin Bushing and Bearing Service Kits | |
| 9 | 59169-000 | 5/16"-18 UNC Stud | 2 | | 60961-628 | Axle Set , Includes Kit Nos. 60961-629 & -630 | |
| 10 | 17491-011 | 5/16"-18 UNC Hex Nut | 2 | | 60961-629 | Left Hand with Composite Thrust Bearing , Includes Key Nos. 51-56, 58, Loctite | |
| 11 | 22962-029 | 5/16" Hardened Washer | 2 | | 60961-630 | Right Hand with Roller Thrust Bearing , Includes Key Nos. 51-55, 57-58, Loctite | |
| 12 | 59016-000 | 5/16"-18 UNC Locknut | 2 | 51 | 33117-000 | Grease Zerk | 2 |
| 13 | 22962-028 | 1/4" Hardened Washer | 4 | 52 | 68687-003 | Grease Cap Assembly, Upper | 2 |
| 14 | 49983-000 | 1/4"-20 UNC Locknut | 4 | 53 | 68687-002 | Grease Cap Assembly, Lower | 2 |
| 15 | 59429-001 | Lower Link Mount | 2 | 54 | 58909-001 | Kingpin Bushing | 4 |
| 16 | | *3/8"-16 UNC x 3 1/2" Hex Bolt | 2 | | | Thrust Bearing Service Kits | |
| 17 | | *3/8" Flat Washer | 2 | | 60961-631 | Axle Set , Includes Kit Nos. 60961-632 & -633 | |
| 18 | | *Shock Absorber | 2 | | 60961-632 | Left Hand Composite Thrust Bearing , Includes Key Nos. 55-56, 58, Loctite | |
| 19 | | *3/4"-10 UNC Bolt | 2 | | 60961-633 | Right Hand Roller Thrust Bearing , Includes Key Nos. 55, 57-58, Loctite | |
| 20 | | *3/4"-10 UNC Bolt | 2 | 55 | 68731-000 | Kingpin Seal | 4 |
| 21 | | *3/4" Hardened Washer | 6 | 56 | 59828-000 | Left Hand Composite Thrust Bearing | 1 |
| 22 | | *3/4"-10 UNC Hex Locknut | 4 | 57 | 64256-000L | Right Hand Roller Thrust Bearing | 1 |
| 23 | 22962-046 | Shock Spacer (Flat Washer) - 0.118" Thick | 2 | 58 | 60236-001 | 5/8" Socket Head Cap Screw | 4 |
| 24 | 59423-002 | Shock Absorber Bracket | 2 | Not Shown | 60937-000 | Loctite® (Red) Compound Tube | 1 |
| | | ***Leaf Spring Assembly, Includes Key Nos. 25-26, 31-35, 45 | | 59 | 64246-000 | ABS Sensor Sleeve | 2 |
| | 82598-000 | Left Hand, <i>replaces 59930-031</i> | 1 | 60 | | Tie Rod Assembly, Includes Key Nos. 61-63 <i>See Selection Guide on Page 7</i> | 1 |
| | 82599-000 | Right Hand, <i>replaces 59930-032</i> | 1 | | 60961-XXX | Tie Rod End Service Kits , <i>See Selection Guide on Page 7</i> | |
| 25 | | *Leaf Spring with Spring Eye Bushing | 2 | | | Axle Set , Includes Left Hand & Right Hand Kits | |
| 26 | | **Galvanized Liner | 2 | | | Left Hand , Includes Key Nos. 61, 63-65 | |
| 27 | 64488-000 | Front Hanger | 2 | | | Right Hand , Includes Key Nos. 62-65 | |
| 28 | | *M20 Bolt | 2 | | | Tie Rod Ends, Includes Key No. 63, <i>See Selection Guide on Page 7</i> | |
| 29 | | *M20 Washer | 4 | 61 | | Left Hand | 1 |
| 30 | | *M20 Locknut | 2 | 62 | | Right Hand | 1 |
| | 60961-002 | Rear Spring Mount Service Kit, One Side , Includes Key Nos. 32-35 | | 63 | | **7/8" Castle Nut | 2 |
| 31 | 58920-000 | Spring End Plate | 2 | 64 | 22962-007 | 7/8" Hardened Washer | 2 |
| 32 | 58918-000 | Rear Spring Mount | 2 | 65 | 17800-004 | Cotter Pin | 2 |
| 33 | 30970-011 | 1/2"-20 UNF x 2 1/4" Hex Bolt | 4 | | 60961-069 | Stop Bolt Service Kit, One Side , Includes Key Nos. 66-67 | |
| 34 | 22962-014 | 1/2" Hardened Washer | 4 | 66 | 60238-001 | 1/2"-13 UNC Square Head Bolt | 2 |
| 35 | 17700-034 | 1/2"-20 UNF Nylon Locknut | 4 | 67 | 60240-000 | 1/2"-13 UNC Hex Jam Nut | 2 |
| | 59829-001 | Rear Hanger Assembly, Includes Key Nos. 36, 40-44 | 2 | | 34013-383 | Clamp Group Fastener Kit, Axle Set , Includes Key Nos. 68-70 | |
| 36 | 59825-000 | Rear hanger | 2 | 68 | 58917-001 | 3/4"-10 UNC x 4 1/4" Hex Bolt | 8 |
| 37 | | *3/4"-10 UNC Hex Bolt | 2 | 69 | 22962-001 | 3/4" Hardened Washer | 8 |
| 38 | | *3/4" Flat Washer | 2 | 70 | 17700-033 | 3/4"-10 UNC-2B Nylocknut | 8 |
| 39 | | *3/4"-10 UNC Locknut | 2 | 71 | 59826-002 | Top Pad | 2 |
| | 60961-016 | Rear Hanger Clamp Service Kit, One Side , Includes Key Nos. 40-45 | | 72 | 57159-004 | 1/2" Dowel Pin - 2.63" | 2 |
| 40 | 22962-033 | 3/4" Wide Washer | 2 | 73 | 68861-000 | Caster Wedge | 2 |
| 41 | 59830-001 | Rear Hanger Clamp | 2 | 74 | A-22930-4 | ABS Sensor | 2 |
| 42 | 56935-001 | 1/4"-20 UNC x 1 1/4" Hex Bolt | 4 | 75 | 64550-000 | ABS Sensor Clip | 2 |
| 43 | 22962-028 | 1/4" Hardened Washer | 8 | | | Air Disc Brake Assembly, <i>see Page 6 for Contents</i> | 2 |
| 44 | 49983-000 | 1/4"-20 UNC Locknut | 4 | | | | |
| 45 | 59346-001 | Thrust Washer | 4 | | | | |
| | | STEERTEK NXT Axle Assembly , Includes Key Nos. 46-67 | 1 | | | | |
| | 68977-003 | 13.5K | | | | | |
| | 68977-006 | 14.6K | | | | | |



AIRTEK® with STEERTEK™ NXT Axle

Air Disc Brake Assembly



| KEY NO. | PART NO. | DESCRIPTION | VEHICLE QTY. |
|---------|-----------|--|--------------|
| 1 | | ****Bendix® Torque Plate Assembly Left Hand Part No. K114010 Right Hand Part No. K114011 | 1 1 |
| 2 | | M20 x 2.5 x 60 mm Caliper Bolt | 12 |
| 3 | | M20 Flat Washer | 12 |
| 4 | 80135-002 | 3/4"-10 UNC x 2 3/4" Hex Bolt | 14 |
| 5 | 22962-001 | 3/4" Hardened Washer | 22 |
| 6 | 49842-000 | 3/4"-10 UNC Locknut | 8 |
| 7 | | ****Bendix Brake Caliper/Carrier Assembly Left Hand Part No. K166122 Right Hand Part No. K166121 | 1 1 |
| 8 | | ****Bendix Brake Pad Kit No. K129276, Axle Set (Includes hardware) | |
| 9 | | ****Bendix Shear Adapter for the Adjuster, Part No. 802455 | |
| 10 | | ****Bendix Air Brake Chamber Part No. K028022 | |
| | | ****Conmet® Hub and Rotor Assembly, Part No. 10083194, Includes Key Nos. 11-16 | 2 |
| 11 | | ****Conmet Hub Bearing Rebuild Kit, Part No. 10081727 | |

| KEY NO. | PART NO. | DESCRIPTION | VEHICLE QTY. |
|---------|------------|---|--------------|
| 12 | | ****Conmet Inner Bearing Cup and Cone Assembly, Part No. 10041905 | |
| 13 | | ****Conmet Outer Bearing Cup and Cone Assembly, Part No. 10041906 | |
| 14 | | ****Conmet Wheel Seal and Spacer Kit, Part No. 10081518 | |
| 15 | | ****Conmet Seal Kit, Part No. 10045885 | |
| 16 | | ****Conmet Rotor Service Kit, Part No. 10082074 | |
| 17 | | ****Stemco Hubcap Assembly - 6", Kit No. 343-4346, Includes Key No. 18 | 2 |
| 18 | | ****Stemco Hubcap Gasket Part No. 330-3024 | 2 |
| 19 | 64545-002 | 5/16"-18 UNC x 3/4" Hex Bolt with Retainer Washer (Hubcap Bolts) | 8 |
| 20 | 10061-0004 | 5/16"-18 UNC x 2" Stud, Socket Head Set Screw (Hub Cover Bracket) | 4 |
| 21 | 17497-015 | 5/16" Washer | 4 |
| 22 | 6005CH2HB | 5/16"-18 UNC Hex Nut | 4 |
| 23 | | *M22 x 1.5 Two-piece Wheel Nut | 20 |



■ Tie Rod Selection Guide

| | | Axle Model | Tie Rod Assembly Part Number | Tie Rod End Part Number | Tie Rod End Service Kit No. | | |
|--|-------------------------------------|--|------------------------------|--|--|-----------|--|
| 10K • 10.5K 12K • 12.6K • 13.5K | Straight Tie Rods 1 1/8" Threads | Vehicles built after November 2014 | | | | | |
| | | STEEERTEK NXT | 76877-003 | 70995-001 (LH) 70995-002 (RH) | 60961-734 (Axle Set) 60961-736 (LH) 60961-741 (RH) | | |
| | | * Vehicles built prior to November 2014 | | | | | Tie Rod Assembly Replacement Part No. |
| | | STEEERTEK | 60239-003 | * Tie rod end kits are no longer available for these assembly numbers, requires complete tie rod assembly replacement. | | 76877-003 | |
| 14.6K | Straight Tie Rods 1 1/4" Threads | Vehicles built after January 2019 | | | | | |
| | | STEEERTEK NXT | 76879-003 | 76876-001 (LH) 76876-002 (RH) | 60961-735 (Axle Set) 60961-742 (LH) 60961-743 (RH) | | |
| | | * Vehicles built prior to January 2019 | | | | | Tie Rod Assembly Replacement Part No. |
| | | STEEERTEK | 64006-003 | * Tie rod end kits are no longer available for these assembly numbers, requires complete tie rod assembly replacement. | | 76879-003 | |
| NOTE: * Hendrickson supplies different tie rod assemblies and each type may take a different replacement tie rod end kit to service. Prior to ordering, find the part number on the tie rod tube, refer to Hendrickson Publication No. SEU-0223 or contact Hendrickson Truck Parts for corresponding Kit Numbers. | | | | | | | |

NOTES: * Not supplied by Hendrickson, used for reference only. Contact the vehicle manufacturer for more information.

** Item included in assembly/kit only, part not sold separately.

*** New production and aftermarket replacement leaf spring assemblies as of 01/2019 (Part Nos. 82598-000 and 82599-000) **DO NOT** require thrust washers. Thrust washers (Part No. 67495-000) are only required for previous production vehicles equipped with leaf spring assemblies (Part Nos. 59930-031 or 59930-032). If one leaf spring requires replacement both leaf springs need to be replaced.

**** Not supplied by Hendrickson for aftermarket service purposes. Description and part number listed for reference only. For more information and assistance with service, maintenance and rebuild instructions on these components see below component manufacturers:

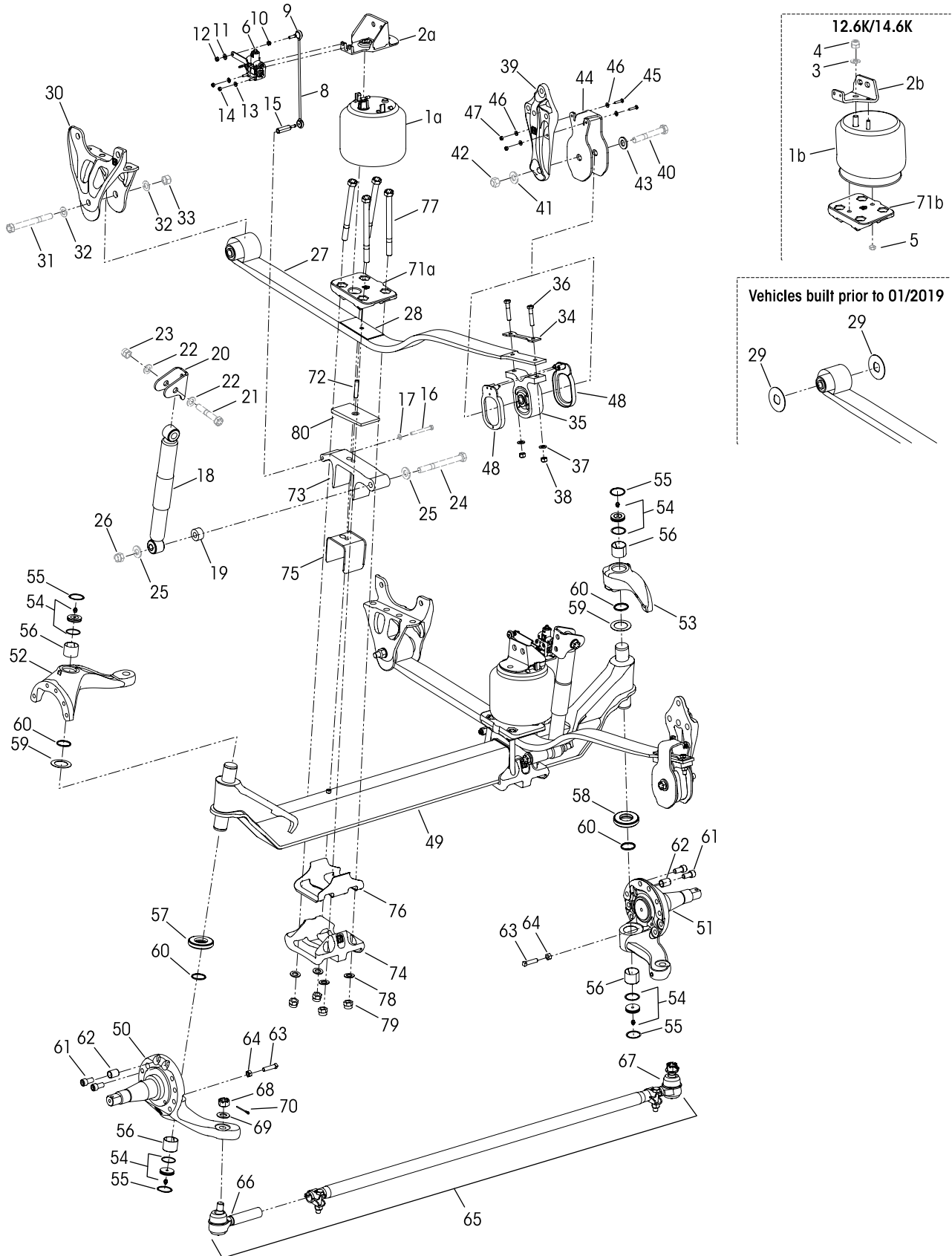
- Bendix technical and parts support 1-800-AIR BRAKE, customer service option 1 • tech team option 2 or online at www.bendix.com/en/servicessupport/servicessupport_1.jsp
- Conmet technical and parts support 800.547.9473 or go to aftermarket.conmetwheelends.com/hub-selection
- Federal Mogul technical and parts support 800.325.8886 or online at www.drivparts.com
- Meritor technical and parts support 888.725.9355, or online for parts: www.meritorpartsexpress.com and for technical support: www.meritorbullpen.com
- Stemco technical and parts support 800.527.8492 or online at www.stemco.com
- Timken technical and parts support 866.984.6536 or online at www.timken.com/resources or Timken YouTube series - Timken Tricks of the Trade (Installing a Timken Set-Right® Bearing)
- WABCO technical and parts support 855.228.3203 or online at www.wabco-customercentre.com
- Webb technical and part support 800.633.3256 or online at www.webbwheel.com

Hendrickson **AIRTEK Ride Height Gauges** for Spartan, order online www.hendrickson-intl.com/Liform

- Lit. No. 45745-289 – 10.5K • 12K Capacity
- Lit. No. 45745-288 – 12.4K • 12.6K • 13.5K • 14.6K Capacity

AIRTEK® with STEERTEK™ Axle built prior to May 2019

10.5K • 12K • 12.6K • 14.6K Capacity
Equipped with Drum Brakes





AIRTEK® with STEERTEK™ Axle for Spartan Motorhome Chassis

| VEHICLE | | | | VEHICLE | | | |
|---------|------------|--|------|---------|------------|---|---------|
| KEY NO. | PART NO. | DESCRIPTION | QTY. | KEY NO. | PART NO. | DESCRIPTION | QTY. |
| 1 | | Air Spring | 2 | | 60961-016 | Rear Hanger Clamp Service Kit, One Side, Includes Key Nos. 43-48 | |
| a | 66349-002L | 10.5K • 12K | | 43 | 22962-033 | ¾" Wide Washer | 2 |
| b | 65790-002L | 12.6K • 14.6K | | 44 | 59830-001 | Rear Hanger Clamp | 2 |
| 2 | | Upper Air Spring Bracket | 2 | 45 | 56935-001 | ¼"-20 UNC x 1 ¼" Hex Bolt | 4 |
| a | 60850-002 | 10.5K • 12K | | 46 | 22962-028 | ¼" Hardened Washer | 8 |
| b | 66140-000 | 12.6K • 14.6K | | 47 | 49983-000 | ¼"-20 UNC Locknut | 4 |
| 3 | | *¾" Flat Washer | 2 | 48 | 59346-001 | Thrust Washer | 4 |
| 4 | | *¾"-16 UNF Locknut | 2 | | | STEERTEK NXT Axle Assembly, See Page 2 for <i>included parts</i> | 1 |
| 5 | | * ½"-13 UNC Locknut | 2 | | 68977-008 | 10.5K • 12K • 12.6K with 15 x 4 Wheel Ends, <i>Replaces 64502-041, -044</i> | |
| | | Height Control Valve & Linkage Assembly | | | 68977-006 | 14.6K with 16.5 x 5 Wheel Ends, <i>Replaces 64502-042, -045</i> | |
| | 66277-001 | Left Hand, Includes Key Nos. 6, 8-14 | 1 | 49 | | Axle & Kingpin Assembly, see Replacement <i>Guide below</i> | 1 |
| | 66277-002 | Right Hand, Includes Key Nos. 7-14 | 1 | | 68976-003M | 10.5K • 12K • 12.6K, <i>Replaces 64905-001</i> | |
| | | Height Control Valve | | | 68976-002M | 14.6K, <i>Replaces 64905-005</i> | |
| 6 | 66414-001 | Left Hand | 1 | | | Lower Steering Knuckle Assembly, Includes Key Nos. 56, 60, 62 | |
| 7 | 66414-002 | Right Hand | 1 | 50 | 58900-027 | Left Hand | 1 |
| 8 | 59428-001 | Linkage Assembly - 335 mm | 2 | 51 | 58900-028 | Right Hand | 1 |
| 9 | 59169-000 | ⅝"-18 UNC Stud | 2 | | | Upper Steering Knuckle Assembly, Includes Key Nos. 56, 60 | |
| 10 | 17491-011 | ⅝"-18 UNC Hex Nut | 2 | 52 | 60903-004 | Left Hand | 1 |
| 11 | 22962-029 | ⅝" Hardened Washer | 2 | 53 | 60904-002 | Right Hand | 1 |
| 12 | 59016-000 | ⅝"-18 UNC Locknut | 2 | | | Kingpin Bushing and Bearing Service Kits | |
| 13 | 22962-028 | ¼" Hardened Washer | 4 | | 60961-040 | Axle Set, Includes Kit Nos. 60961-009 & -039 | |
| 14 | 49983-000 | ¼"-20 UNC Locknut | 4 | | 60961-009 | Left Hand with Composite Thrust Bearing, Includes Key Nos. 54-57, 59-61 & Loctite | |
| 15 | 59429-001 | Lower Link Mount | 2 | | 60961-039 | Right Hand with Roller Thrust Bearing, Includes Key Nos. 54-56, 58-61 & Loctite | |
| 16 | | *⅝"-16 UNC x 3 ½" Hex Bolt | 2 | 54 | 59156-000 | Grease Cap Assembly | 4 |
| 17 | | *⅝" Flat Washer | 2 | 55 | 58937-000 | Retaining Ring | 4 |
| 18 | 58913-009 | Shock Absorber, <i>Replaces 66153-006,</i> <i>66153-007, 66153-001</i> | 2 | 56 | 58909-000 | Kingpin Bushing | 4 |
| 19 | 22962-046 | Shock Spacer, <i>Replaces 59946-001</i> | 2 | | | Thrust Bearing Service Kits | |
| 20 | 59423-002 | Shock Absorber Bracket, <i>Replaces 66589-002</i> | 2 | | 60961-043 | Axle Set, Includes Kit Nos. 60961-041 & -042 | |
| 21 | | *¾" x 3 ¾" Bolt | 2 | | 60961-041 | Left Hand Composite Thrust Bearing, Includes Key Nos. 57, 59-61 & Loctite | |
| 22 | | *¾" Washer | 4 | | 60961-042 | Right Hand Roller Thrust Bearing, Includes Key Nos. 58-61 & Loctite | |
| 23 | | *¾" Locknut | 2 | 57 | 59828-000 | Left Hand Composite Thrust Bearing | 1 |
| 24 | | *¾" x 7 ½" Bolt | 2 | 58 | 64256-000 | Right Hand Roller Thrust Bearing | 1 |
| 25 | | *¾" Washer - 2" Wide | 2 | 59 | | Kingpin Shim | As Req. |
| 26 | | *¾" Locknut | 4 | | 60259-001X | 0.005" Thickness (Pack of 4) | |
| | | ***Leaf Spring Assembly, Includes Key Nos. 27-29, 34-38, 48 | | | 60259-002 | 0.047" Thickness | |
| | 82598-000 | Left Hand, <i>replaces 59930-031</i> | 1 | 60 | 58910-001 | Kingpin Seal, <i>Replaces 58910-000</i> | 4 |
| | 82599-000 | Right Hand, <i>replaces 59930-032</i> | 1 | 61 | 60236-001 | ⅝"-11 UNC Socket Head Cap Screw | 4 |
| 27 | | **Leaf Spring with Spring Eye Bushing | 2 | | 60937-000 | Loctite (Red) Compound Tube (Not Shown) | 1 |
| 28 | | **Galvanized Liner | 2 | 62 | 64246-000 | ABS Sensor Sleeve | 2 |
| 29 | 67495-000 | ***Thrust Washer-Front Hanger, <i>only for vehicles</i> <i>prior to 01/19, Replaces 66264-001</i> | 4 | | 60961-069 | Stop Bolt Service Kit, One End, Includes Key Nos. 63-64 | |
| 30 | 64488-000 | Front Hanger | 2 | 63 | 60238-001 | ½"-13 UNC x 2" Square Head Bolt | 2 |
| 31 | | *M20 x 170 mm Bolt | 2 | 64 | 60240-000 | ½"-13 UNC Hex Jam Nut | 2 |
| 32 | | *M20 Washer | 4 | | 60961-XXX | Tie Rod End Service Kits, See Selection Guide <i>on Page 7</i> | |
| 33 | | *M20 Locknut | 2 | | | Axle Set, Includes Left Hand & Right Hand Kits | |
| | 60961-002 | Rear Spring Mount Service Kit, One Side, Includes Key Nos. 34-38 | | | | Left Hand, Includes Key Nos. 66, 68-70 | |
| 34 | 58920-000 | Spring End Plate | 2 | | | Right Hand, Includes Key Nos. 67-70 | |
| 35 | 58918-000 | Rear Spring Mount | 2 | | | | |
| 36 | 30970-011 | ½"-20 UNF x 2 ¼" Hex Bolt | 4 | | | | |
| 37 | 22962-014 | ½" Hardened Washer | 4 | | | | |
| 38 | 17700-034 | ½"-20 UNF Nylon Locknut | 4 | | | | |
| | 59829-001 | Rear Hanger Assembly, Includes Key Nos. 39, 43-47 | 2 | | | | |
| 39 | 59825-000 | Rear hanger | 2 | | | | |
| 40 | | *¾"-10 UNC x 4 ¾" Hex Bolt | 2 | | | | |
| 41 | | *¾" Flat Washer | 2 | | | | |
| 42 | | *¾"-10 UNC Locknut | 2 | | | | |

■ STEERTEK to STEERTEK NXT Axle Replacement Guide

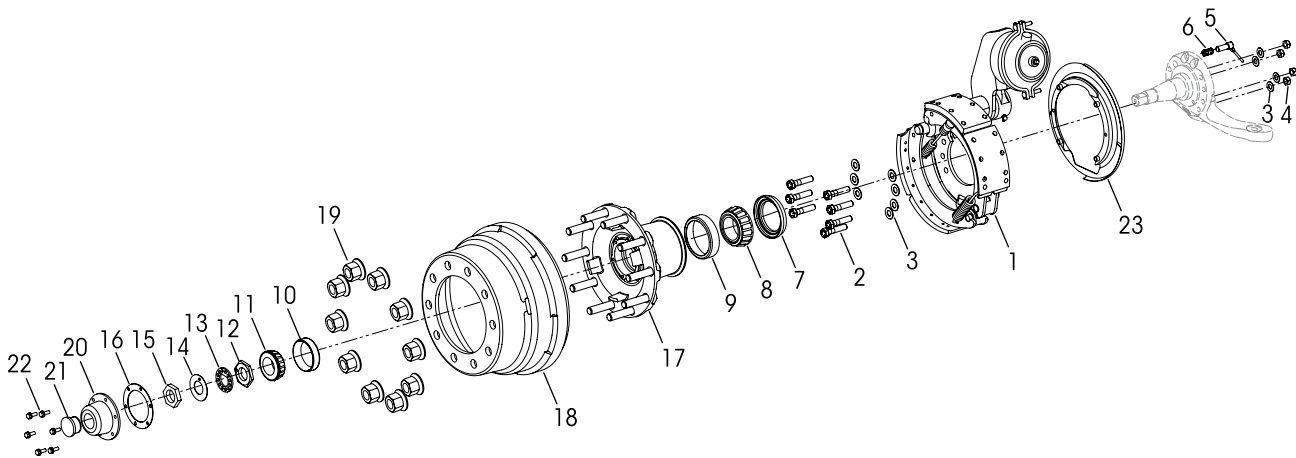
| Axle & Kingpin Assembly | | Clamp Group Bolt | | | Clamp Group Replacement Kit | |
|-------------------------|-----------------------|------------------|--------|--------------|-----------------------------|-----------|
| STEERTEK NXT New | Discontinued May 2019 | New | Length | Discontinued | Length | Axle Set |
| 68976-003M | 64905-001 | 58917-001 | 4.5" | 64804-110 | 11" | 34013-383 |
| 68976-002M | 64905-005 | | | 68715-353 | 9" | |
| | | | | 58917-016 | 8.5" | |



| KEY NO. | PART NO. | DESCRIPTION | VEHICLE QTY. | KEY NO. | PART NO. | DESCRIPTION | VEHICLE QTY. |
|---------|-----------|---|--------------|-----------|-----------|---|--------------|
| 65 | | Tie Rod Assembly, Includes Key Nos. 66-68 <i>See Selection Guide on Page 7</i> | 1 | 75 | 59449-000 | Top Axle Wrap Liner | 2 |
| | | Tie Rod Ends, Includes Key No. 68, <i>See Selection Guide on Page 7</i> | | 76 | 59845-000 | Bottom Axle Wrap Liner | 2 |
| 66 | | Left Hand, | 1 | | | Clamp Group Fastener Kit, Axle Set, Includes Key Nos. 77-79 | |
| 67 | | Right Hand, | 1 | 60961-113 | | • For all vehicles built after 02/07 • For vehicles built prior to 02/07 | |
| 68 | | **7/8" Castle Nut | 2 | 60961-150 | | 10.5K • 12K • 12.6K | |
| 69 | 22962-007 | 7/8" Hardened Washer | 2 | 77 | | 3/4"-10 UNC x 9" Hex Bolt | 8 |
| 70 | 17800-004 | Cotter Pin | 2 | 68715-353 | | • For all vehicles built after 02/07, <i>Replaces 58917-013</i> | |
| 71 | | Top Pad | 2 | | | • For vehicles built prior to 02/07 | |
| a | 66144-000 | 10.5K • 12K | | 58917-016 | | 10.5K • 12K • 12.6K | |
| b | 66191-000 | 12.6K • 14.6K | | 78 | 22962-001 | 3/4" Hardened Washer | 8 |
| 72 | 57159-004 | 1/2" Dowel Pin - 2.63" | 2 | 79 | 17700-033 | 3/4"-10 UNC-2B Nylocknut | 8 |
| 73 | 59952-028 | Top Axle Wrap, <i>Replaces 59952-001</i> | 2 | 80 | 68861-000 | Caster Wedge | 2 |
| 74 | 64723-005 | Bottom Axle Wrap | 2 | | | Drum Brake Assembly, <i>see Parts List below for Contents</i> | 2 |
| | | Top/Bottom Axle Wrap Liner Service Kit, One Side, Includes Key Nos. 75-79 | | | | | |
| | 60961-164 | • For all vehicles built after 02/07 • For vehicles built prior to 02/07 | | | | | |
| | 60961-013 | 10.5K • 12K • 12.6K | | | | | |

AIRTEK® with STEERTEK™ Axle

Drum Brake Assembly



| KEY NO. | PART NO. | DESCRIPTION | VEHICLE QTY. | KEY NO. | PART NO. | DESCRIPTION | VEHICLE QTY. |
|---------|-----------|--|--------------|---------|-----------|--|--------------|
| 1 | | ****Meritor Drum Brake Assembly, AIRTEK 10.5K, 12K, 12.6K, 15" x 4" Left Hand Part No. QP4-1540-3085 Right Hand Part No. QP4-1540-3086 AIRTEK 14.6K, 16.5" x 5" Left Hand Part No. QP4-1655-893 Right Hand Part No. QP4-1655-894 | 1 | 12 | | ****Meritor 1 1/2"-12 UNF Inner Wheel Bearing Adj. Nut Part No. 1227-U-541 | 2 |
| 2 | 32043-002 | 5/8"-11 UNC x 2 3/4" Hex Bolt | 14 | 13 | | ****Meritor 3/4" Wheel End Lock Ring Part No. 1229-G-475 | 2 |
| 3 | 22962-036 | 5/8" Hardened Washer | 22 | 14 | | ****Meritor 0.05" Wheel End Lock Washer Part No. 1229-F-474 | 2 |
| 4 | 47764-000 | 5/8"- UNC Locknut | 8 | 15 | | ****Meritor Wheel End Outer Nut No. 1227-B-106 | 2 |
| 5 | 64547-000 | ABS Sensor | 2 | 16 | | ****Stemco Hubcap Gasket Part No. 330-3024 | 2 |
| 6 | 64550-000 | ABS Sensor Clip | 2 | 17 | | ****Webb Hub Part No. 25201-1T | 2 |
| 7 | | ****Federal Mogul Wheel Seal Kit No. M380001TX0 | 2 | 18 | | ****Webb Drum AIRTEK 10.5K, 12K, 12.6K, Part No. 65545B AIRTEK 14.6K, Part No. 65163B | 2 |
| | | ****Timken Inner Bearing One side, Set No. 413, Includes Key Nos. 88-89 | | 19 | | *M22 x 1.5 Two-piece Wheel Nut | 20 |
| 8 | | Inner Bearing Cone | 2 | 20 | | ****Stemco Hubcap Assembly - 6", Kit No. 343-4346, Includes Key No. 70 | 2 |
| 9 | | Inner Bearing Cup | 2 | 21 | | **Rubber Plug | 2 |
| | | ****Timken Outer Bearing One Side, Set No. 406, Includes Key Nos. 90-91 | | 22 | 64545-002 | 5/16"-18 UNC x 3/4" Hex Bolt with Retainer Washer 12 (Hubcap Bolts), <i>Replaces 64545-001</i> | 12 |
| 10 | | Outer Bearing Cup | 2 | 23 | | **Meritor Dust Shield AIRTEK 10.5K, 12K, 12.6K, Part No. 3264-R-1292 AIRTEK 14.6K, Part No. 3264-N-118 | 2 |
| 11 | | Outer Bearing Cone | 2 | | | | |



■ Special Tool

KINGPIN BUSHING TOOL – ADJUSTABLE STRAIGHT FLUTE REAMER

The dimension of the cutting diameter must facilitate a range of 1.802" – 1.812"



This is a general parts list to provide directional information. Components may vary by model. Questions in regards to parts, contact Hendrickson Truck Parts at 1.866.755.5968 (Toll-free U.S. and Canada), 630.910.2800 (Outside U.S. and Canada) or email: truckparts@hendrickson-intl.com.

Actual product performance may vary depending upon vehicle configuration, operation, service and other factors.

All applications must comply with applicable Hendrickson specifications and must be approved by the respective vehicle manufacturer with the vehicle in its original, as-built configuration. Contact Hendrickson for additional details regarding specifications, applications, capacities, and operation, service and maintenance instructions.

Call Hendrickson at 1.866.755.5968 (toll-free) or 1.630.910.2800 for additional information.



www.hendrickson-intl.com

SP-184 Rev I 11-22

© 2017 – 2022 Hendrickson USA, L.L.C. All Rights Reserved. All trademarks shown are owned by Hendrickson USA, L.L.C., or one of the affiliates, in one or more countries.

Information contained in this literature was accurate at the time of publication. Product changes may have been made after the copyright date that are not reflected.

TRUCK COMMERCIAL VEHICLE SYSTEMS

800 South Frontage Road

Woodridge, IL 60517-4904 USA

1.866.755.5968 (Toll-free U.S. and Canada)

1.630.910.2800 (Outside U.S. and Canada)

Fax 1.630.910.2899

Printed in United States of America