

H PARTS LIST

HT™ SERIES
HT250YS / HT250YB / HT250U-Y

LIT NO: L58

DATE: October 2023

REVISION: K



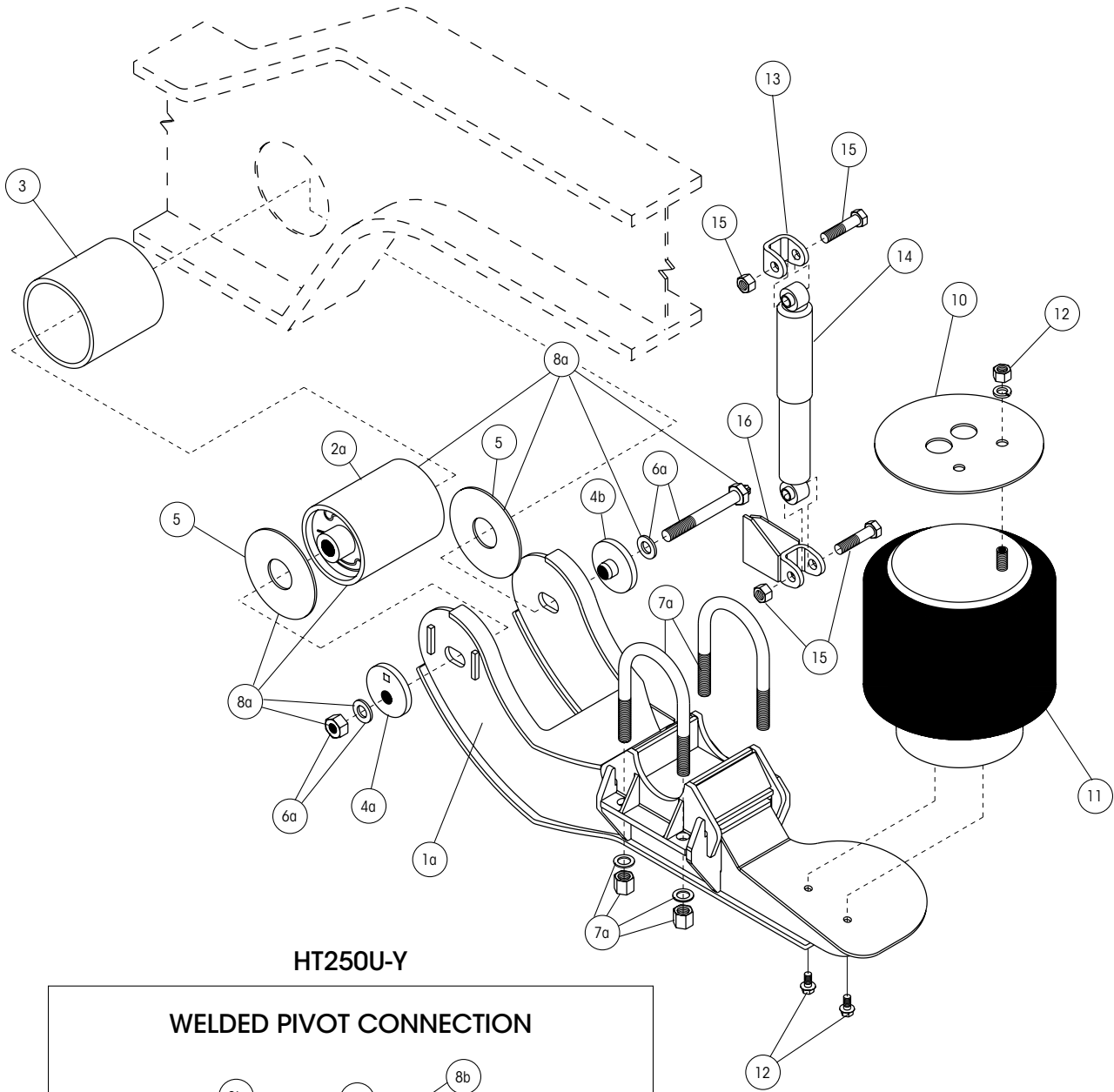
HT250YS



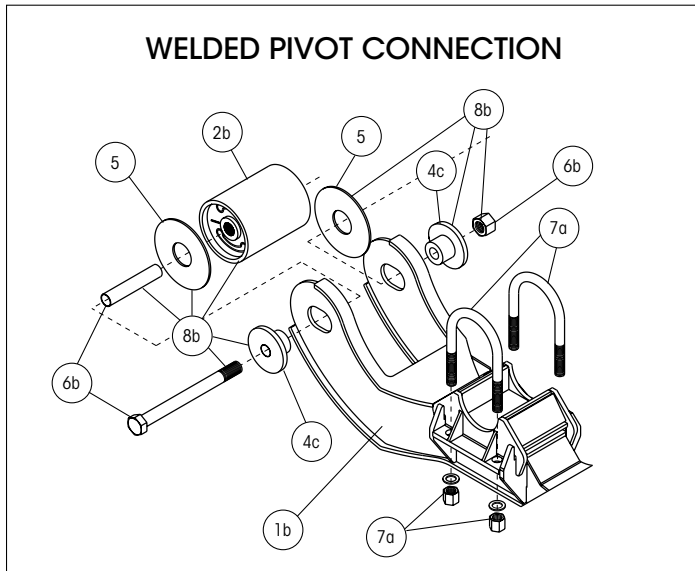
HT250YB

Picture shown may not resemble all models.

HT250U-Y / HT250YB



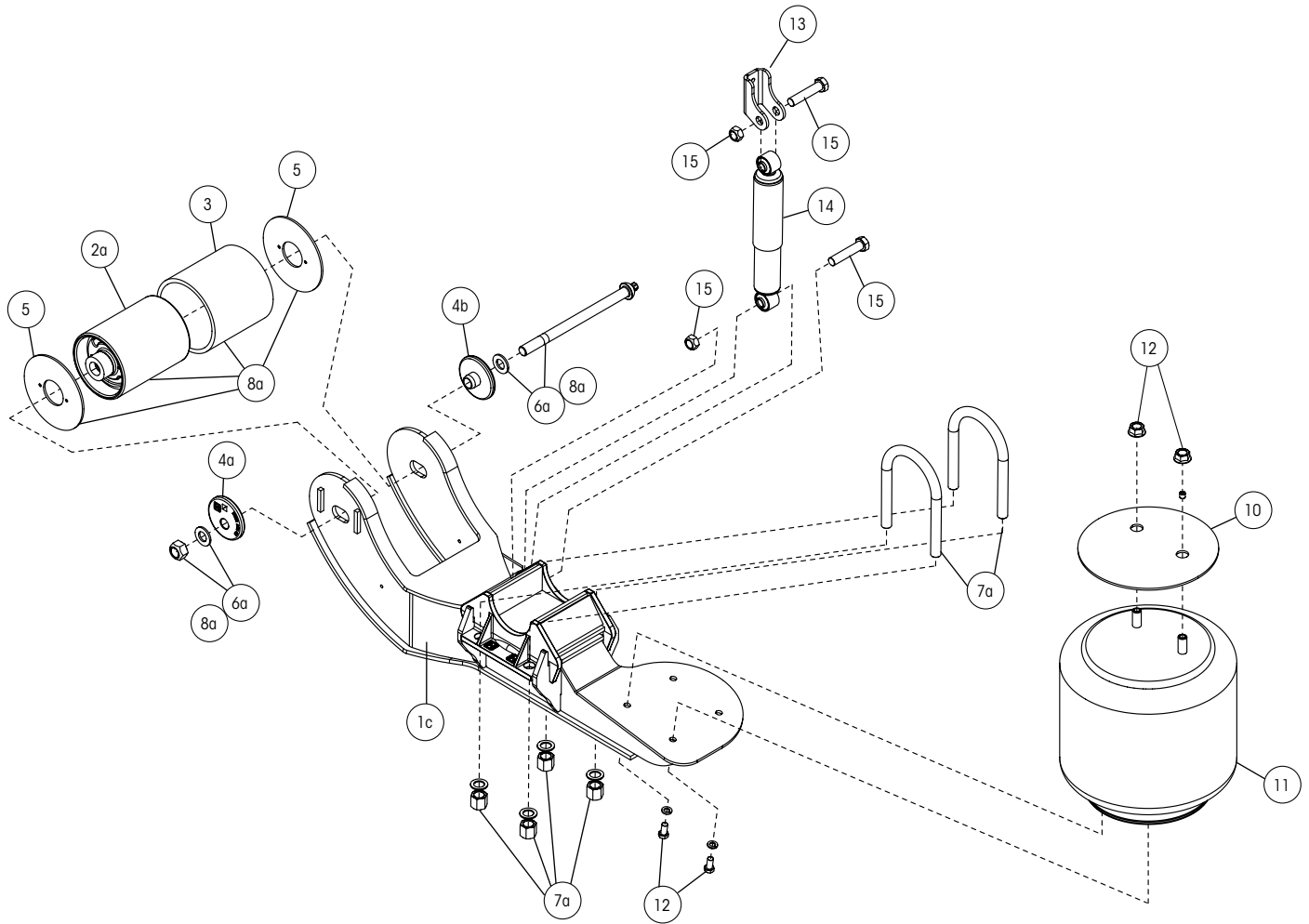
HT250U-Y





Picture shown may not resemble all models.

HT250YS



HT Y-BEAM PARTS LIST



| ITEM | DESCRIPTION | PART NO. | QTY. PER SUSP. | Model No. / Description |
|-----------|--|-----------|-------------------|--|
| 1 | BEAM ASSEMBLY | | | |
| 1a | Roadside, QUIK-ALIGN® | S-22350-3 | 1 | HT250YB |
| | Curbside, QUIK-ALIGN | S-22350-4 | 1 | HT250YB |
| 1b | Roadside, welded alignment | S-21076-1 | 1 | HT250U-Y |
| | Curbside, welded alignment | S-21076-2 | 1 | HT250U-Y |
| 1c | Roadside, QUIK-ALIGN | S-30873-1 | 1 | HT250YS |
| | Curbside, QUIK-ALIGN | S-30873-2 | 1 | HT250YS |
| 2 | BUSHING ASSEMBLY | | | |
| 2a | Bushing assembly, QUIK-ALIGN | S-30862 | 2 | HT250YB and HT250YS |
| 2b | Bushing assembly, welded alignment | S-7343 | 2 | HT250U-Y |
| 3 | TUBE SLEEVE | S-7342 | 2 | All models |
| 4 | ALIGNMENT COLLAR | | | |
| 4a | Eccentric washer, QUIK-ALIGN | S-20925 | 2 | HT250YB and HT250YS; Offset pivot bolt hole |
| 4b | Concentric washer, QUIK-ALIGN | S-20924 | 2 | HT250YB and HT250YS; Centered pivot bolt hole |
| 4c | Welded alignment | S-7349 | 4 | HT250U-Y |
| 5 | BUSHING TUBE SPACER | S-21099 | 4 | All models |
| 6 | PIVOT BOLT KIT | | | |
| 6a | QUIK-ALIGN | S-25948 | 2 | HT250YB and HT250YS; Includes shear-type bolt, nut and washer |
| 6b | Welded alignment | S-7345 | 2 | HT250U-Y; Includes bolt, nut and liner |
| 7 | U-BOLT KIT | S-3650/4 | 4 | All models |
| 7a | U-Bolt Kit, RD | S-3650/4 | 4 | HT250U-Y and HT250YB |
| 7b | Flattened U-Bolt / Spacer Kit (not shown) | A-22237 | 1 | HT250YS with 12.25" brakes only |
| 7c | U-Bolt Kit (not shown) | S-21140/4 | 4 | HT250YS with 16.5" brakes only |
| 8 | TRI-FUNCTIONAL® II BUSHING KIT | | | |
| 8a | QUIK-ALIGN | S-26000 | 2 | HT250YB and HT250YS; Includes assembly, bushing tube spacers, bolt and nut |
| 8b | Welded Alignment | S-13136 | 2 | HT250U-Y; Includes alignment collars, bushing assembly, bushing tube spacers, bolt, nut and liner |
| 9 | BUSHING TUBE SPACER KIT (not shown) | S-26371 | | HT250U-Y; Includes bolt, nut, liner and bushing tube spacer |
| 10 | AIR SPRING PLATE | S-21209 | 2 | All models |

Continued on page 5

NOTE: Identification tag can be found on the front of the roadside frame bracket or the inside of the curbside beam.



HT Y-BEAM PARTS LIST

| ITEM | DESCRIPTION | PART NO. | QTY. PER SUSP. | Model No. / Description | |
|---------------------------------------|--------------|----------|-----------------------------------|---------------------------|------------------|
| 11 AIR SPRING | Standard | S-20127 | 2 | HT250U -6.5Y -005,006 | |
| | | | | -9Y -006,031,037,706 | |
| | | | | HT250YB -6.5 -006,031,037 | |
| | | | | -7.5 -006,031,037 | |
| | | | | -9.0 -006,031,037 | |
| | | | | | HT250YS -006,106 |
| | Rotated stud | S-20414 | 2 | HT250U -9Y -010 | |
| | | | | HT250YB -6.5 -010 | |
| | | | | -7.5 -010 | |
| | | | | -9.0 -010 | |
| HT250YS -010,011 | | | | | |
| High pressure, standard | S-20124 | 2 | HT250U -6.5Y -001 | | |
| | | | -9Y -001,021,027 | | |
| | | | HT250YB -6.5 -001,021,027 | | |
| | | | -7.5 -001,021,027 | | |
| | | | -9.0 -001,021,027 | | |
| | | | HT250YS -001,101 | | |
| High pressure, rotated | C-20413 | 2 | HT250YS | | |
| 12 AIR SPRING BOLT KIT | S-20033/2 | 2 | All models | | |
| 13 UPPER SHOCK CLEVIS | | | | | |
| Standard | S-2592 | 2 | All models except listed below | | |
| For use with shock straps (not shown) | S-20113 | 2 | HT250U -9Y -021,031 | | |
| | | | HT250YB -6.5 -021,031 | | |
| | | | -7.5 -021,031 | | |
| | | | -9.0 -021,031 | | |
| | | | HT250YS | | |
| 14 SHOCK ABSORBER | | | | | |
| Standard | S-20002 | 2 | HT250U -6.5Y -001,006 | | |
| | | | -7.5Y -001,006 | | |
| | | | -9.0Y -001,006,010,021,031,706 | | |
| | | | HT250YB -6.5 -001,006,010,021,031 | | |
| | | | -7.5 -001,006,010,021,031 | | |
| | | | -9.0 -001,006,010,021,031,706 | | |
| Standard | S-23651 | 2 | HT250YS | | |
| Extended service, high damping | S-21553 | 2 | HT250U -9Y -027,037 | | |
| | | | HT250YB -6.5 -027,037 | | |
| | | | -7.5 -027,037 | | |
| | | | -9.0 -027,037 | | |
| Remote shocks | S-23649 | 2 | HT250YB -7.5-DB2 | | |
| | | | -9-DB2 | | |

Continued on page 6

HT Y-BEAM PARTS LIST



| ITEM | DESCRIPTION | PART NO. | QTY. PER SUSP. | Model No. / Description |
|-----------|------------------------------------|----------------------------|-------------------|---|
| 15 | SHOCK ABSORBER BOLT KIT | S-2157/2 | 2 | HT250U-Y and HT250YB |
| | | S-31929/2 | 2 | HT250YS |
| 16 | LOWER SHOCK CLEVIS | Roadside | 1 | All HT250U-Y and HT250YB except for remote mt. axle mount |
| | | Curbside | 1 | All HT250U-Y and HT250YB except for remote mt. axle mount |
| | | Remote axle mount | 2 | HT250YB -7.5-DB2 -9-DB2 |
| 17 | SHOCK STRAP KIT (not shown) | | | Includes strap and nylon tie |
| | | For S-20002 shock absorber | S-14587-1 | 1 |
| | | For S-21553 shock absorber | S-14587-8 | 1 |
| | | For S-23651 shock absorber | C-23086-4 | 1 |

*Actual product performance may vary depending upon vehicle configuration, operation, service and other factors.
All applications must comply with applicable Hendrickson specifications and must be approved by the respective vehicle manufacturer with the vehicle in its original, as-built configuration.
Contact Hendrickson for additional details regarding specifications, applications, capacities, and operation, service and maintenance instructions.*

Call Hendrickson at 330.489.0045 or 866.RIDEAIR (743.3247) for additional information.



www.hendrickson-intl.com

TRAILER COMMERCIAL VEHICLE SYSTEMS

2070 Industrial Place SE
Canton, OH 44707-2641 USA
866.RIDEAIR (743.3247)
330.489.0045 • Fax 800.696.4416

Hendrickson Canada ULC

2825 Argentia Road, Unit #2 - 4
Mississauga, ON Canada L5N 8G6
800.668.5360
905.789.1030 • Fax 905.802.9423

Hendrickson Mexicana

Circuito El Marqués Sur #29
Parque Industrial El Marqués
Pob. El Colorado, Municipio El Marqués,
Querétaro, México C.P. 76246
+52 (442) 296.3600 • Fax +52 (442) 296.3601

L58 Rev K 10-23

© 2000 – 2023 Hendrickson USA, L.L.C. All Rights Reserved. All trademarks shown are owned by Hendrickson USA, L.L.C., or one of its affiliates, in one or more countries.
Information contained in this literature was accurate at the time of publication. Product changes may have been made after the copyright date that are not reflected.

Printed in United States of America