

H PARTS LIST

**STEERTEK™ NXT High-capacity
Front Steer Axle and Suspension
System for Fire and Rescue
Vehicles equipped with Terra
Drive Systems (TDS) EZ Trac**

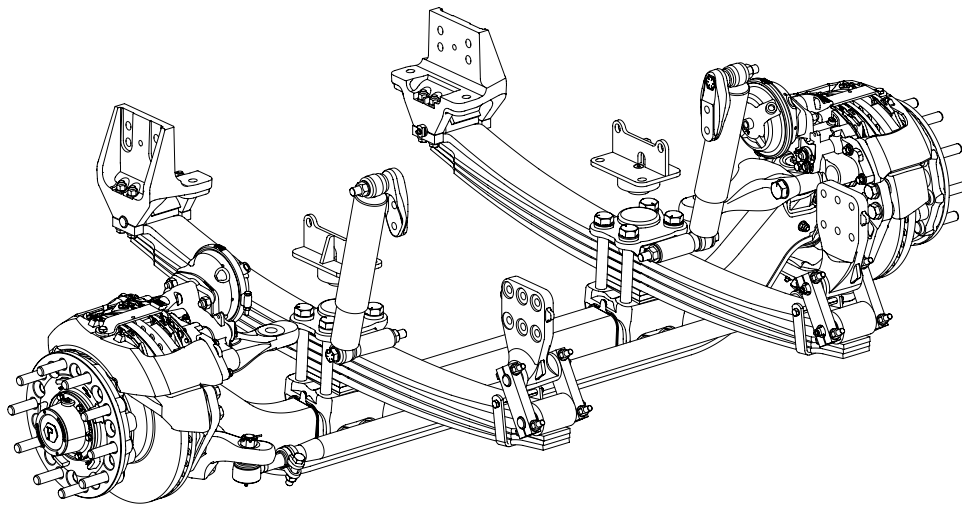
LIT NO: SP-276

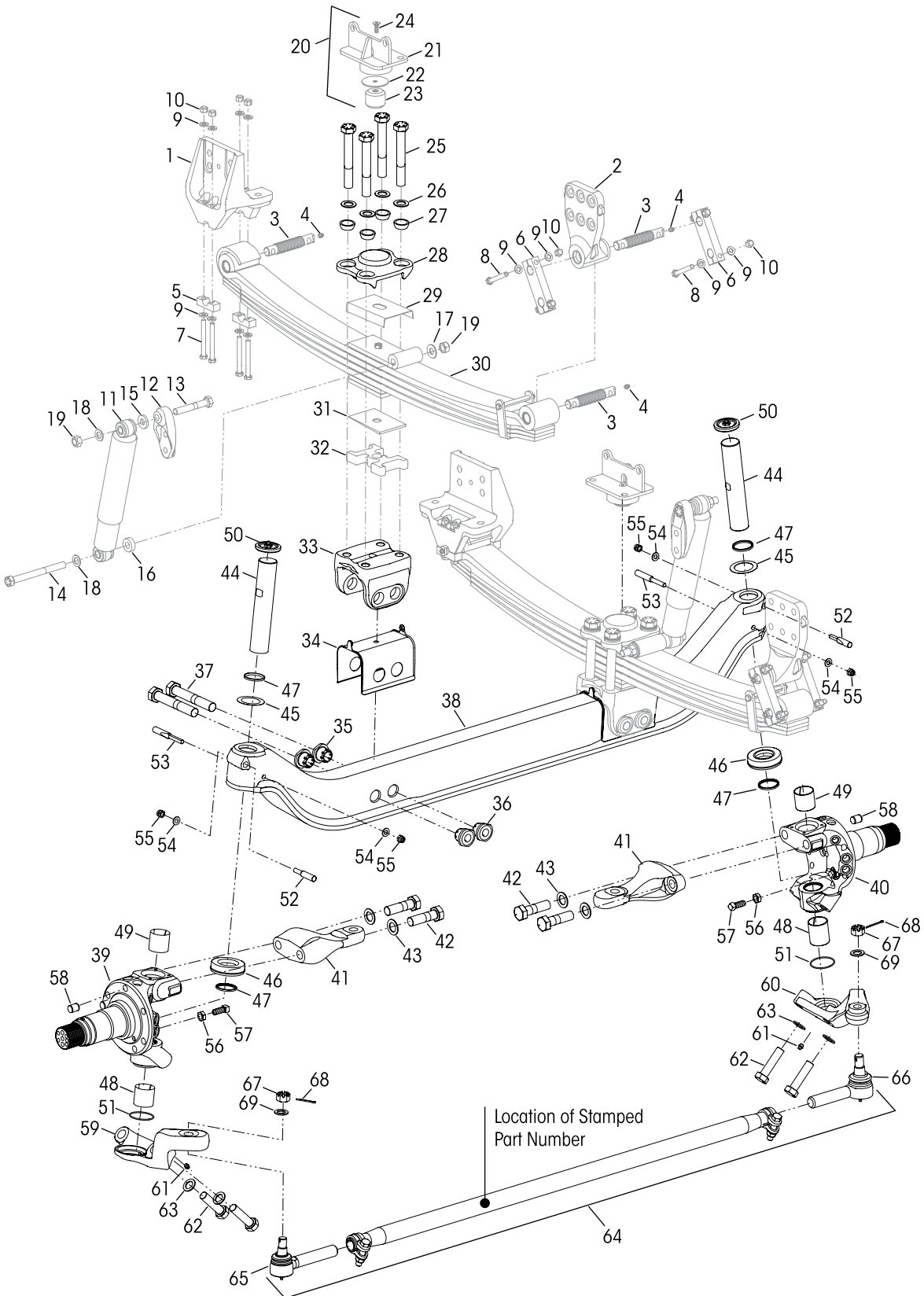
DATE: January 2026

REVISION: A

CONTENTS

DESCRIPTION	PAGE
Parts List	2
Selection Guides	
■ Axle Assembly and Components	4
■ Tie Rods	4
Special Tools	5







STEERTEK™ NXT High-capacity Steer Axle System for Fire/Rescue Vehicles with TDS

KEY NO.	PART NO.	DESCRIPTION	VEHICLE QTY.	KEY NO.	PART NO.	DESCRIPTION	VEHICLE QTY.
1		**Frame Hanger Assembly Front	2		95283-XXX	Knuckle Assembly, Includes Key Nos. 47, 50, 56-58, <i>see Table 1 on Page 4</i>	
2		Rear with Bushing	2	39		Left Hand	1
3		**Threaded Pin	6	40		Right Hand	1
4		**Grease Zerk	6	41		Steering Arm, <i>see Table 1 on Page 4</i>	
5		**Front Hanger Bottom Cap	4			Left Hand	1
6		**Rear Shackles	4			Right Hand	1
7		**1/2"-20 UNC x 4 1/2" Hex Bolt	8	42	30550-040	1"-14 UNF x 3/4" Hex Bolt	Varies
8		**1/2"-20 UNC x 3 1/4" Shackle Hex Bolt	8	43	22962-051	1" Flat Washer	Varies
9		**1/2" Flat Washer	32		34013-230	Kingpin Service Kit, One Side Includes Key Nos. 44, 45a, 46-55, 62-63	
10		**1/2"-20 UNF-2B Locknut	16	44		*Kingpin	2
11		**Shock Absorber	2	45		Kingpin Shim (As needed for service)	2
12		**Shock Bracket	2	a	77241-002	0.01" Thickness	
13		**3/4"-10 UNC Upper Shock Hex Bolt	2	b	77241-003	0.02" Thickness	
14		**3/4"-10 UNC Lower Shock Hex Bolt	2	46	75918-001	Thrust Bearing	2
15		**Upper Shock Spacer	2	47	75966-001	Kingpin Seal	4
16		**Lower Outboard Shock Spacer	2			Kingpin Bushing	
17		**Lower Inboard Shock Spacer, 3 mm Thick	2	48	75919-001	Lower, 2 1/2" Length	2
18		**3/4" Flat Washer	4	49	75919-002	Upper, 2" Length	2
19		**3/4"-10 UNC Locknut	4	50	77209-002	Grease Cap	2
20		**Jounce Stop Assembly, Includes Key Nos. 21-24	2	51	68303-004	O-Ring	2
21		*Jounce Stop	2			Kingpin Draw Key	
22		*Spacer	2	52	75925-001	Upper, 3 3/8" Length	2
23		*Rubber Bump Stop	2	53	75925-002	Lower, 4 3/4" Length	2
24		*M10 x 1.5 x 30 mm Flat Socket Cap Screw	2	54	22962-054	7/16" Flat Washer	4
		**Leaf Spring & Clamp Group Assembly, Includes Key Nos. 25-37	2	55	17700-008	7/16"-14 UNC-2B Nut	4
25	64107-XXX	**1"-8 UNC Hex Bolt	8	56	17491-023	5/8"-11 UNC-2B Jam Nut	2
26	22962-051	1" Flat Washer	8	57	93334-001	5/8"-11 UNC x 1 1/2" Set Screw	2
27	78356-002	1" Spherical Washer	8	58	64246-000	ABS Sensor Sleeve	2
28	78888-000	Top Pad	2		77244-XXX	Tie Rod Arm Assembly, Includes Key No. 61 <i>see Table 1 on Page 4</i>	
29		**Spring Liner	2	59		Left Hand	1
30		**Leaf Spring Assembly	2	60		Right Hand	1
31		**Caster Wedge - 2°	2	61	33117-000	Grease Zerk	2
32		**Leaf Spring Spacer (if equipped)	2	62	30418-015	7/8"-14 UNF x 3/4" Hex Bolt	4
33	77232-000	Axle Seat	2	63	22962-002	7/8" Flat Washer	4
	34013-229	Axle Clamp Collar Service Kit, One Side Includes Key Nos. 34-37	2	64		Tie Rod Assembly, Includes Key Nos. 65-67, <i>see Table 1 on Page 4</i>	1
34	78887-001	Axle Seat Liner	2		60961-XXX	Tie Rod End Service Kits, <i>see Table 1 on Page 4</i> Axle Set, Includes LH and RH Kits Left Hand, Includes Key Nos. 65, 67-69 Right Hand, Includes Key Nos. 66-69	
35		*Axle Collar Non Threaded	4			*Tie Rod End, Includes Key No. 67	
36		Threaded	4	65		Left Hand	1
37		*1"-8 UNC x 6 1/2" Hex Thru Bolt	4	66		Right Hand	1
	95282-XXX	STEERTEK NXT High Capacity Axle Assembly Includes Key Nos. 38-40, 44-69, <i>see Table 1 on Page 4</i>		67		*7/8"-14 UNF-2A Castle Nut	2
38	77284-XXX	Axle	1	68		*Cotter Pin	2
				69		*7/8" Flat Washer	2

NOTES: * Item included in kit/assembly only, part not sold separately.

** Refer to the vehicle manufacturer (OEM) specific parts list for STEERTEK NXT High-capacity equipped on your vehicle available online www.hendrickson-intl.com/products/steertek/steertek-nxt-fire-rescue



■ Axle Assembly and Components • Tie Rod Selection Guide

TABLE 1

		Part Number							
Capacity (lb)	Wheel Base (in)	STEERTEK NXT High-capacity Axle Assembly	Knuckle Assembly		Steering Arm Assembly	Tie Rod Arm Assembly		Tie Rod Assembly	Tie Rod End Service Kit No.
		Key No. 38	Left Hand Key No. 39	Right Hand Key No. 40	Key No. 41	Left Hand Key No. 59	Right Hand Key No. 60	Key No. 64	
HME									
20K	201-230	95282-008	95283-001	95283-002	79685-001	77244-061	77244-062	79365-001	60961-884 (Axle Set) 60961-882 (LH) 60961-883 (RH)
24K		200-260	95282-010	95283-003		95283-004	77244-023		
	95282-058								
PIERCE									
20K	171-200	95282-006	95283-001	95283-002	79685-001	77244-059	77244-060	79365-001	60961-884 (Axle Set) 60961-882 (LH) 60961-883 (RH)
		95282-007			77337-001				
ROSENBAUER									
20K	210-240	95282-001	95283-001	95283-002	77337-003	77244-035	77244-036	80721-002	60961-890 (Axle Set) 60961-889 (LH) 60961-888 (RH)
24K		240-260	95282-009	95283-003		95283-004	77337-004		
	95282-051								
SPARTAN									
20K	130-170	95282-002	95283-001	95283-002	77337-012 (LH)	77244-057	77244-058	79365-001	60961-884 (Axle Set) 60961-882 (LH) 60961-883 (RH)
24K	200-260	95282-052	95283-003	95283-004	79685-003 (RH)	77244-023	77244-024		



■ Special Tools

NOTE: Hendrickson does not supply these tools. Contact tool manufacturer.

KINGPIN BUSHING TOOLS

ADJUSTABLE STRAIGHT FLUTE REAMER

2.00" to 2.01" Cutting Diameter

McMaster-Carr #3141A28

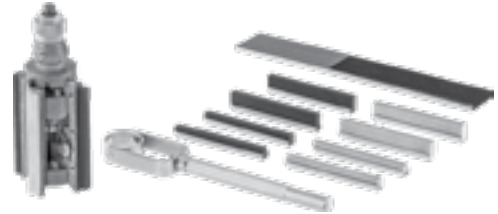


OR

PRECISION-FINISH CYLINDER HONE

1.75" to 2.75" Cylinder ID

McMaster-Carr #7362A45



EXTENSION PILOT TOOL

for 1.78" to 2.09" Adjustable Reamer

McMaster-Carr #3004A32



STEERING STOP BOLT JAM NUT TOOL

DUAL OPEN-END WRENCH

1⁵/₁₆" - 60°/15° Angle Wrench

Martin Tools #3719



This is a general parts list to provide directional information. Components may vary by model. Questions in regards to parts, contact Hendrickson Truck Parts at 855.743.3733 (Toll-free U.S. and Canada), 630.910.2800 (Outside U.S. and Canada) or e-mail: truckparts@hendrickson-intl.com.

Actual product performance may vary depending upon vehicle configuration, operation, service and other factors. All applications must comply with applicable Hendrickson specifications and must be approved by the respective vehicle manufacturer with the vehicle in its original, as-built configuration. Contact Hendrickson for additional details regarding specifications, applications, capacities, and operation, service and maintenance instructions.

*Call Hendrickson at **630.910.2800** or **855.RIDERED (855.743.3733)** for additional information.*



www.hendrickson-intl.com

TRUCK COMMERCIAL VEHICLE SYSTEMS
800 South Frontage Road
Woodridge, IL 60517-4904 USA
855.743.3733 (Toll-free U.S. and Canada)
630.910.2800 (Outside U.S. and Canada)
Fax 630.910.2899

SP-276 Rev A 01-26

© 2026 Hendrickson USA, L.L.C. All Rights Reserved. All trademarks shown are owned by Hendrickson USA, L.L.C., or one of the affiliates, in one or more countries. Information contained in this literature was accurate at the time of publication. Product changes may have been made after the copyright date that are not reflected.

Printed in United States of America