

H PARTS LIST

PRIMAAX® EX Rear Air Suspension for Kenworth • Peterbilt Vehicles

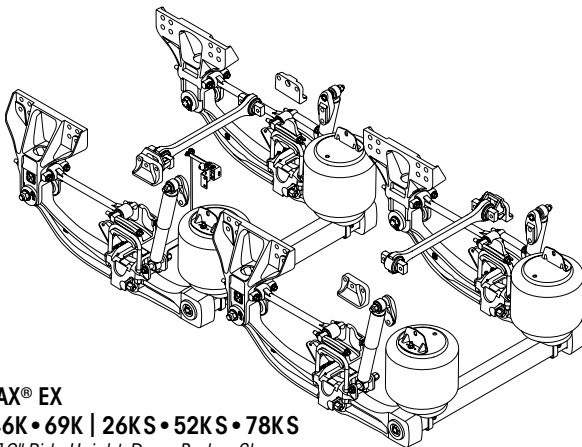
LIT NO: SP-225

DATE: February 2026

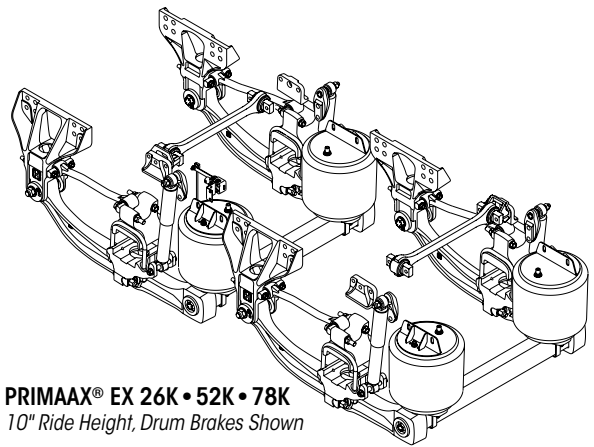
REVISION: G

CONTENTS

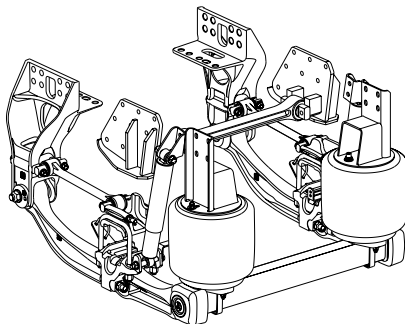
DESCRIPTION	PAGE	DESCRIPTION	PAGE
Technical Notes	2	Selection Guides	
PARTS LISTS		<ul style="list-style-type: none"> ■ Bottom Cap, Top Pad, Longitudinal 11 & 12 Torque Rod Assembly, Torque Rod Spacer ■ Severe Service Kits 10 	
<ul style="list-style-type: none"> ■ 23K • 46K • 69K 26KS • 52KS • 78KS 4 ■ 26K • 52K • 78K 6 ■ 23KT • 26KT 8 		Notes	10
		Special Tools	14



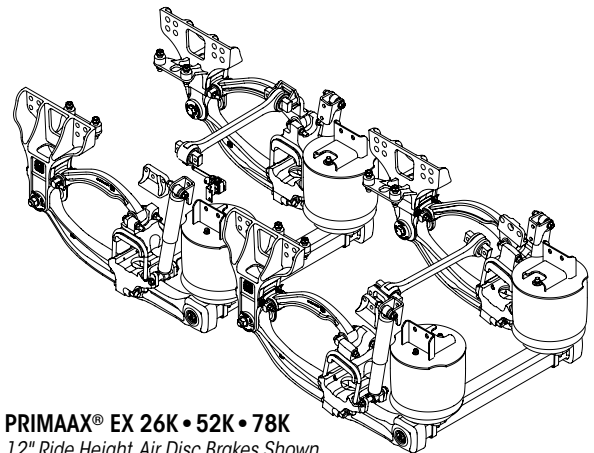
PRIMAAX® EX
23K • 46K • 69K | 26KS • 52KS • 78KS
8½", 9", 10" Ride Height, Drum Brakes Shown



PRIMAAX® EX 26K • 52K • 78K
10" Ride Height, Drum Brakes Shown



PRIMAAX® EX 23KT • 26KT
14½" • 15½" Ride Height, Drum Brakes

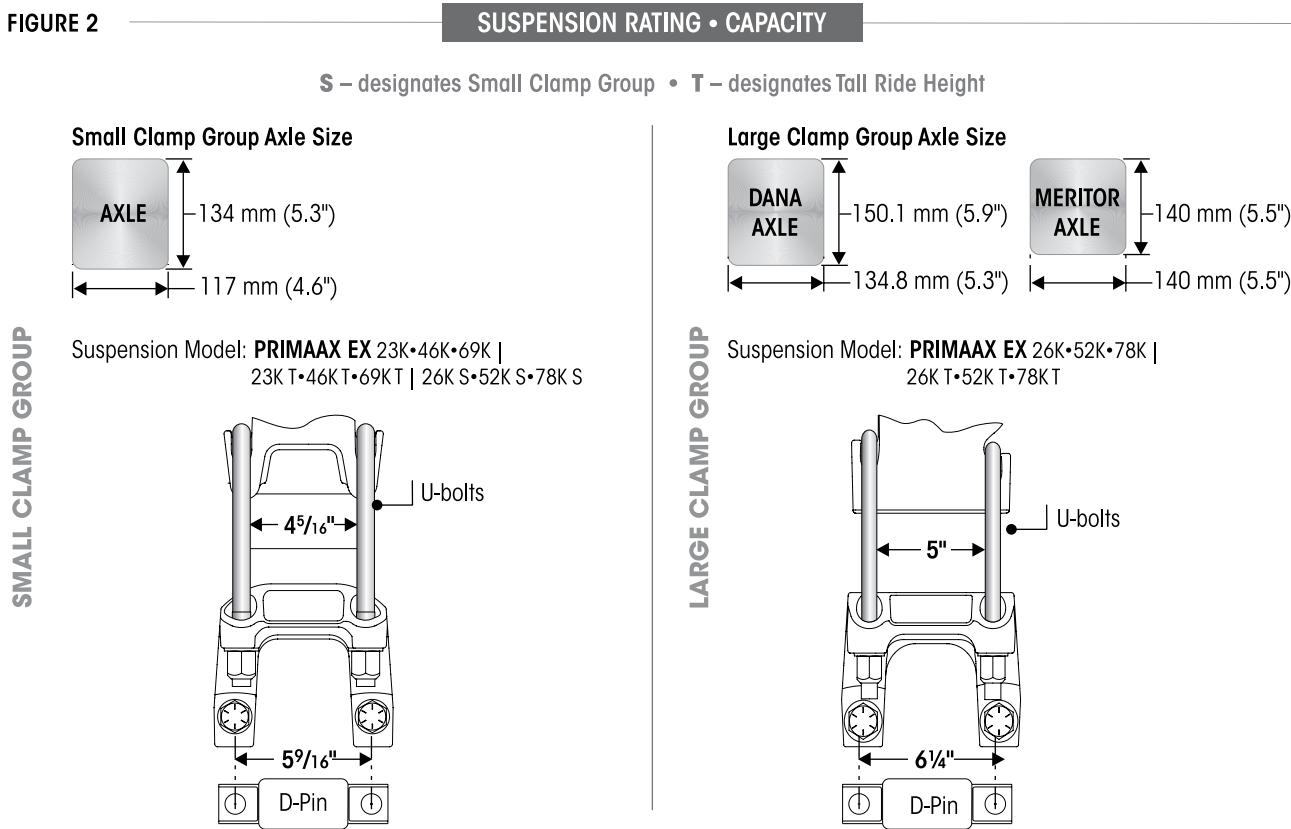
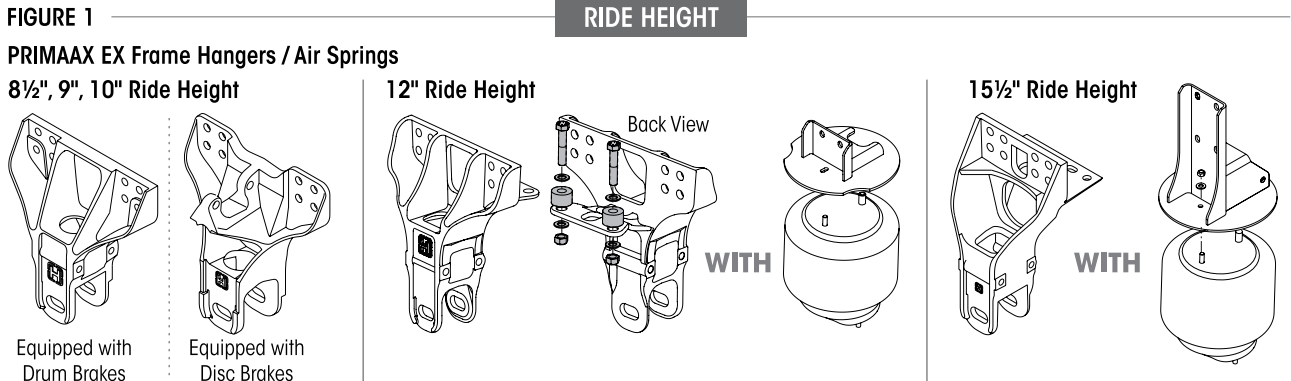


PRIMAAX® EX 26K • 52K • 78K
12" Ride Height, Air Disc Brakes Shown



■ Technical Notes

The following information is intended to assist in determining which suspension is equipped on the vehicle.

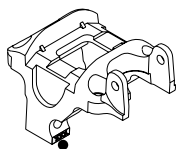




Bottom Cap • Longitudinal Torque Rod Assembly • Top Pad
Torque Rod Spacer Selection Guide

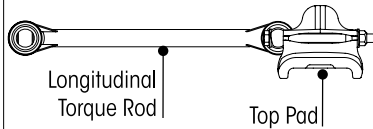
Small Clamp Group
Equipped with Drum or Air Disc Brakes

Bottom Cap

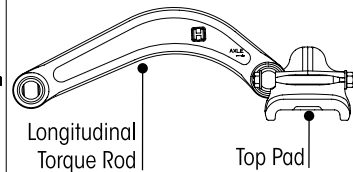


Location of stamped Part No. (last three digits) or see pinion angle chart below

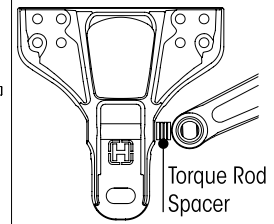
DRUM BRAKE Configuration



DISC BRAKE Configuration



Torque Rod Spacer



Page 5 PRIMAAX EX 23K • 46K • 69K | 26KS • 52KS • 78KS | 10", 12" Ride Height

		Drum Brakes		Air Disc Brakes				
	Pinion Angle	Bottom Cap Part No.	*Longitudinal Torque Rod Assembly Part No.	Bottom Cap Part No.	*Longitudinal Torque Rod Assembly Part No.	Top Pad Part No.	**Torque Rod Spacer Part No.	D-Pin Bolt Length
FORWARD REAR	1.5°	60556-035	67428-425	60556-035	67219-435	65289-003 (LH)	—	4¾"
	2.0°	60556-040		60556-040				
	2.5°	60556-025	60556-025	65289-004 (RH)		9 mm		
	3.0°	60556-030	60556-030					
	3.5°	60556-035	67428-435	60556-035				
	4.0°	60556-040		60556-040				
	4.5°	60556-045						
	5.0°	60556-050						
5.5°	60556-055							
REAR REAR	6.0°	60556-060	67428-435	60556-025	67219-435	65289-000	15 mm	4¾"
	6.5°	60556-065		60556-035				
	7.0°	60556-040	67428-450	60556-040				5"
	7.5°	60556-045		60556-045				
	8.0°	60556-050		60556-050				
	8.5°	60556-110	67428-460	60556-110		25 mm	4¾"	
	9.0°	60556-115		60556-115				
	9.5°	60556-120		60556-120				
	10.0°	60556-100	67428-475	60556-100		67219-475	—	4¾"
	10.5°	60556-105		60556-105				
	11.0°	60556-110		60556-110				
	11.5°	60556-115		60556-115				
	12.0°	60556-120		60556-120				5"
	12.5°	60556-125		60556-125				
	13.0°	60556-130		60556-130				
	13.5°	60556-135						
	14.0°	60556-140						
14.5°	60556-145							

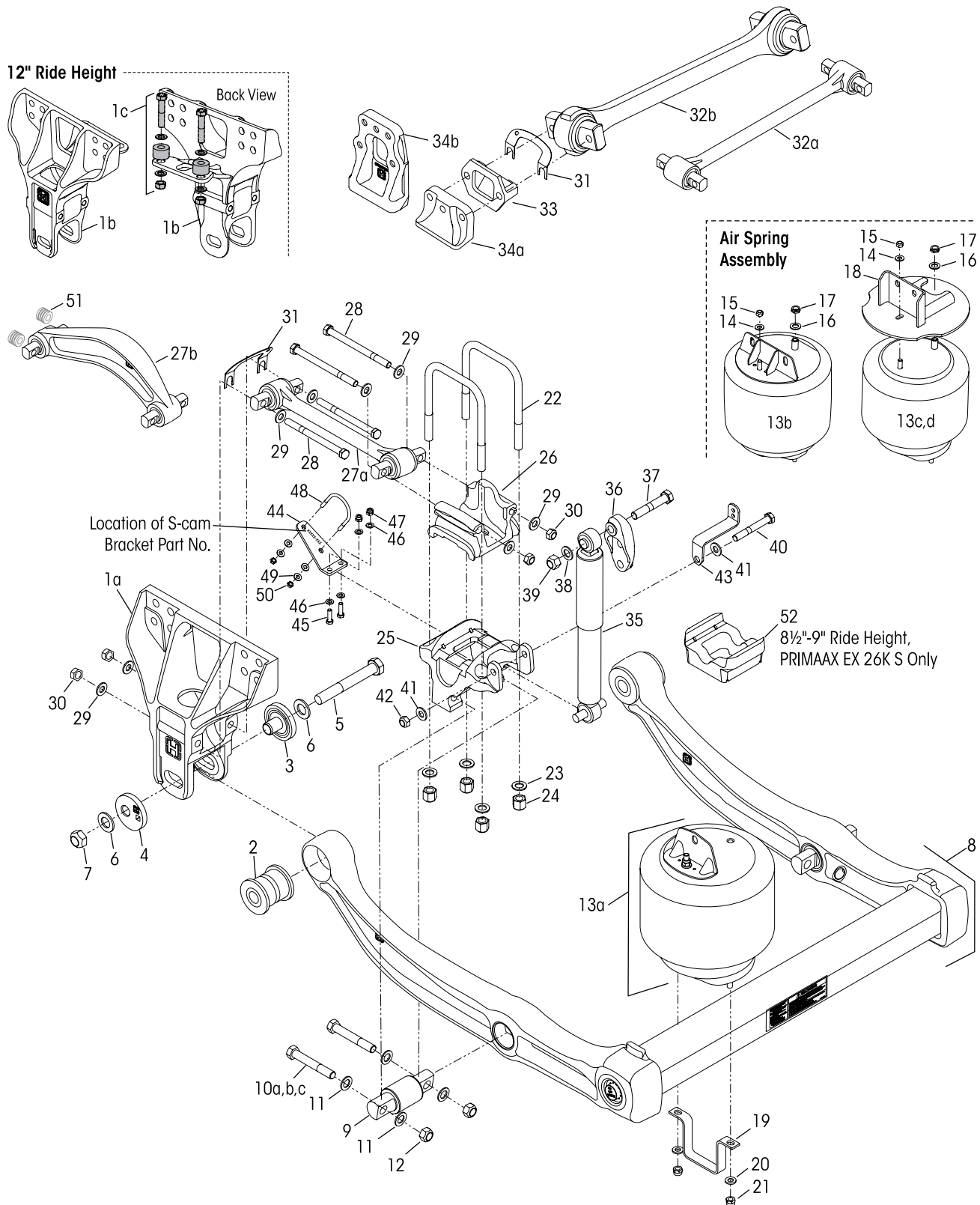
NOTES: * Torque rod bushings are non-serviceable, replace the complete torque rod assembly that includes bushings.

** Not supplied by Hendrickson, used for reference only. Hendrickson is not responsible for components supplied by the vehicle manufacturer. For assistance with maintenance and rebuild instructions on these components see vehicle manufacturer.



PRIMAAX EX 23K • 46K • 69K • 26K S • 52K S • 78K S | Small Clamp Group
Equipped with Drum or Air Disc Brakes

S – designates Small Clamp
8½"•9"•10"•12" Ride Height



PRIMAAX® EX 23K • 46K • 69K | 26KS • 52KS • 78KS for Kenworth • Peterbilt Vehicles

VEHICLE				VEHICLE			
KEY NO.	PART NO.	DESCRIPTION	QTY.	KEY NO.	PART NO.	DESCRIPTION	QTY.
1		Frame Hanger	4	25	60556-XXX	Bottom Cap, <i>see Selection Guide on Page 3</i>	4
a	67706-000	8½", 9", 10" Ride Height		26		Top Pad	4
b	80033-003	12" Ride Height, use with 1c			65289-000	Drum Brakes	
c	34013-434	Frame Hanger Fastener Kit, Axle Set, <i>for 1b Only</i>			65289-XXX	Air Disc Brakes, <i>see Selection Guide on Page 3</i>	
		QUIK-ALIGN Pivot Bushing Service Kits, Includes Key Nos. 2-7, 53		27		Longitudinal Torque Rod Assembly, <i>see Selection Guide on Page 3</i>	4
	60961-720	One Wheel End		a	67428-XXX	Drum Brakes,	
	60632-020	Axle Set		b	67219-XXX	Air Disc Brakes	
		QUIK-ALIGN Collar Service Kit, Includes Key Nos. 3-7			49176-032	Longitudinal Torque Rod Fastener Service Kit, One Torque Rod, Includes Key Nos. 28-30	
	60632-019	One Wheel End		28	*5/8"-11 UNC-2B x 8" Bolt		16
	60632-021	Axle Set		29	*5/8" Flat Washer		32
	60632-018	QUIK-ALIGN Fastener Service Kit One Wheel End, Includes Key Nos. 5-7		30	*5/8"-11 UNC-2A Locknut		16
2		*QUIK-ALIGN Pivot Bushing	4	31	49689-000L	Shim (As Required)	
3		*QUIK-ALIGN Concentric Collar	4	32		**Transverse Torque Rod Assembly •8½", 9", 10" Ride Height	2
4		*QUIK-ALIGN Eccentric Collar	4	a	62000-565N	ULTRA ROD®, <i>Replaces 67428-565</i>	
5		*1"-14 UNF-2A x 7½" Hex Bolt	4	b	8240-0000-560	TRAAX ROD®, <i>Replaces 72000-560C</i>	
6		*1" H-Coat Flat Washer	8		8240-6969-565	•12" Ride Height, TRAAX ROD	
7		*1"-14 UNF-2B Locknut	4	33	22186-000	Transverse Torque Rod Frame Bracket	2
8		U-beam Assembly, Includes Key Nos. 2, 9		34		Frame Mounted Axle Stop	4
	67249-003	Rear	1	a	60593-000	8½", 9", 10" Ride Ht., 23K • 46K • 69K • 26KS • 52KS • 78KS	
	67249-004	Front, Middle for Tridem	1	b	80618-001	10" Ride Ht., 26KS • 52KS • 78KS 12" Ride Ht., 23K • 46K • 69K • 26KS • 52KS • 78KS	
		Single D-Pin Bushing Service Kit, Includes Key Nos. 9, 10a, 11-12		35		Shock Absorber	4
	34013-107	Includes Key Nos. 9, 10b, 11-12		a	60657-017L	8½", 9", 10" Ride Height, except Tridem, <i>Replaces 60657-003L</i>	
	34013-116	Includes Key Nos. 9, 10c, 11-12			60657-005L	8½", 9", 10" Ride Height, Tridem Only	
	34013-117	Includes Key Nos. 9, 10c, 11-12			60665-011L	12" Ride Height	
9		*D-Pin Bushing	4		60665-018L	12" Ride Height, 52KS	
		D-Pin Fastener Service Kit, Axle Set Includes Key Nos. 10a, 11-12		b	70807-001L	Optional, High Temperature Heavy-duty, except Tridem	
	56659-009	Includes Key Nos. 10b, 11-12		36		Upper Shock Frame Bracket	4
	56659-013	Includes Key Nos. 10c, 11-12		a	67463-002	Standard Cast	
	56659-012	Includes Key Nos. 10c, 11-12		b	78250-002	High Strength Cast, <i>use with 35b</i>	
10		*¾"-16 UNF Bolt	8	c	59423-030	12" Ride Height (not shown)	
a		Length 5"				Single Shock Fastener Service Kit Includes Key Nos. 37-39	
b		Length 5½"			50754-020	23K • 46K • 69K, Includes Key Nos. 37-39, 40a-42	
c		Length 4¾"			50754-030	26K • 52K • 78K, Includes Key Nos. 37-39, 40a-42	
11		*¾" Flat Washer	16		50754-029	26K • 52K • 78KS, Includes Key Nos. 37-39, 40b-42	
12		*¾"-16 UNF Locknut	8	37	*¾"-10 UNC x 4¼" Upper Shock Bolt		4
		Single Air Spring Service Kit, 10" Ride Height 23K • 46K • 69K, Includes Key Nos. 13a, 19-21		38	*¾" Flat Washer		4
	60961-230	26K • 52K • 78K, Includes Key Nos. 13b, 19-21		39	*¾"-10 UNC Locknut		4
	60961-744	Includes Key Nos. 13b, 19-21		40	*5/8"-11 UNC Lower Shock Bolt		4
13		Air Spring Assembly, Includes Upper Air Spring Frame Bracket		a	6.0"		
		• 8½", 9", 10" Ride Height		b	7.0"		
a	67043-002L	23K • 46K • 69K, Includes Key Nos. 14-15		41	*5/8" Flat Washer		8
b	67247-002	26K • 52K • 78K Includes Key Nos. 14-17		42	*5/8"-11 UNC-2B Locknut		4
		• 12" Ride Height		43	60921-000	Height Control Valve Linkage Bracket	1
c	91473-002L	Includes Key Nos. 14-18a		44	64508-XXX	***S-cam Support Bracket, <i>see part number on component</i>	4
d	93745-002	Includes Key Nos. 14-18b			58821-017	S-cam Fastener Service Kit, Axle Set, Includes Key Nos. 45-50	
14		*½" Flat Washer	8	45	*3/8"-16 UNC x 1¼" Hex Bolt		8
15		*½"-13 UNC Locknut	8	46	*3/8" Hardened Washer		16
16		*¾" Flat Washer	4	47	*3/8"-16 UNC Locknut		8
17		*¾"-16 UNF Locknut	4	48	*5/16" S-cam U-bolt		4
18		12" Ride Height, Upper Air Spring Bracket	4	49	*5/16" Hardened Washer		16
a	65031-013	23K • 46K • 69K 26KS • 52KS • 78KS		50	*5/16"-18 UNC Locknut		8
b	65031-014	23K • 46K • 69K		51		Torque Rod Spacer, <i>see Selection Guide on Page 3</i>	4
19	60911-002	Lower Air Spring Mounting Bracket	4	52	65139-003	Axle Spacer - 8½"-9" Ride Height, <i>PRIMAAX EX 26KS only</i>	4
	49177-006	Lower Air Spring Fastener Service Kit, Single, Includes Key Nos. 20-21		53	70867-001	P-80 Bushing Lubricant - 10 ml. per Bushing 1 (not shown)	
20		*½" Flat Washer	8				
21		*½"-13 UNC Locknut	8				
	91430-047	U-bolt Service Kit, One Wheel End, Includes Key No. 22 & Kit No. 48718-501					
22		*¾" Square U-bolt - Length 8¾"	8				
	48718-501	U-bolt Fastener Service Kit, One Wheel End, Includes Key Nos. 23-24					
23		*¾" Flat Washer	16				
24		*¾"-16 UNF U-bolt Locknut	16				

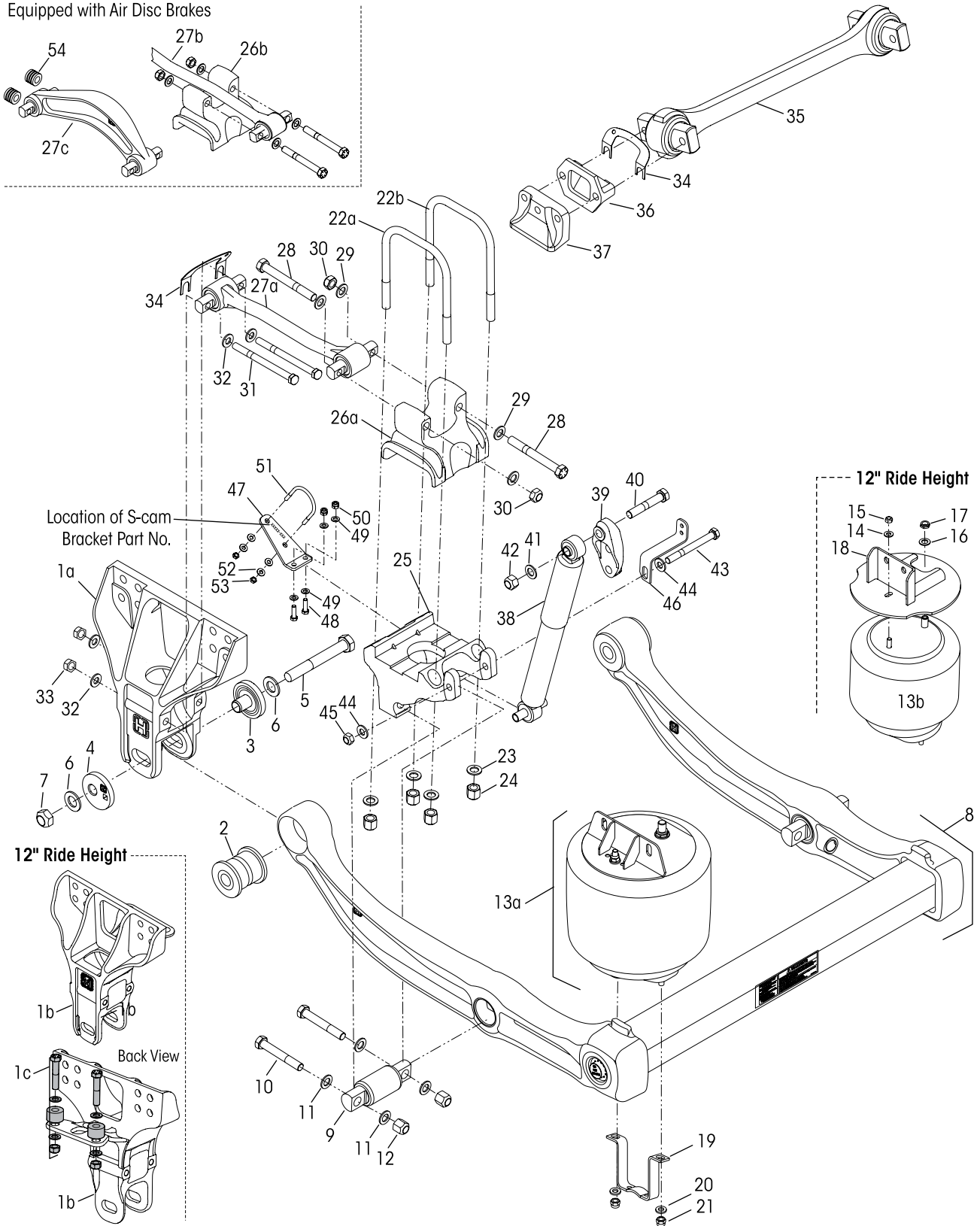


PRIMAAX EX 26K • 52K • 78K | Large Clamp Group

10" Ride Height, equipped with Drum Brakes

12" Ride Height, equipped with Air Disc Brakes

Equipped with Air Disc Brakes





PRIMAAX® EX 26K • 52K • 78K for Kenworth • Peterbilt Vehicles

VEHICLE				VEHICLE			
KEY NO.	PART NO.	DESCRIPTION	QTY.	KEY NO.	PART NO.	DESCRIPTION	QTY.
1		Frame Hanger	4	27		Longitudinal Torque Rod Assembly, <i>see Selection Guide on Pages 11 and 12</i>	4
a	67706-000	10" Ride Height		a	65302-XXX	Equipped with Drum Brake	
b	80033-003	12" Ride Height, use with 1c		b	66359-XXX	Equipped with Air Disc Brake	
c	34013-434	Frame Hanger Fastener Kit, Axle Set., <i>for 1b Only</i>		c	91277-XXXA	Equipped with Air Disc Brake Left Hand	
		QUIK-ALIGN Pivot Bushing Service Kits, Includes Key Nos. 2-7, 55		c	91277-XXXB	Equipped with Air Disc Brake Right Hand	
	60961-720	One Wheel End				Longitudinal Torque Rod Fastener Service Kit, Axle Set, Includes Key Nos. 28-33	
	60632-020	Axle Set			49176-031	Axle Set, Includes Key Nos. 31a, 32-33, (0-2°)	
		QUIK-ALIGN Collar Service Kit, Includes Key Nos. 3-7			49176-032	Axle Set, Includes Key Nos. 31b, 32-33, (2-13.5°)	
	60632-019	One Wheel End		28		*3/4"-16 UNF x 6" Hex Bolt	8
	60632-021	Axle Set		29		*3/4" Flat Washer	16
	60632-018	QUIK-ALIGN Fastener Service Kit One Wheel End, Includes Key Nos. 5-7		30		*3/4"-16 UNF Locknut	8
2		*QUIK-ALIGN Pivot Bushing	4	31a		*5/8"-11 UNF x 8" Hex Bolt	8
3		*QUIK-ALIGN Concentric Collar	4	b		*5/8"-11 UNF x 8 3/4" Hex Bolt	8
4		*QUIK-ALIGN Eccentric Collar	4	32		*5/8" Flat Washer	16
5		*1"-14 UNF-2A x 7 1/2" Hex Bolt	4	33		*5/8"-11 UNC Locknut	8
6		*1" H-Coat Flat Washer	8	34	49689-000L	Shim (As Required)	
7		*1"-14 UNF-2B Locknut	4	35	8240-0000-560	**Transverse TRAAAX ROD Assembly <i>Replaces 72000-560C</i>	2
8		U-beam Assembly, Includes Key Nos. 2, 9		36	22186-000	Transverse Torque Rod Frame Bracket	2
	67249-006	Front	1	37	60593-000	Frame Mounted Axle Stop	4
	67249-005	Rear	1	38		Shock Absorber	4
	34013-114	Single D-Pin Bushing Service Kit, Includes Key Nos. 9-12		a	60657-013L	10" Ride Height, Drum Brake	
9		*D-Pin Bushing	4		60657-015L	10" Ride Height, Air Disc Brake	
	56659-010	D-Pin Fastener Service Kit, Axle Set, Includes Key Nos. 10-12			60665-034L	12" Ride Height	
10		*7/8"-14 UNF x 5" Bolt	8	b	70807-001L	Optional, High Temperature Heavy-duty, except Tridem	
11		*7/8" Flat Washer	16	39		Upper Shock Frame Bracket	4
12		*7/8"-14 UNF Locknut	8	a	67463-002	Standard Cast	
	60961-744	Single Air Spring Service Kit, Includes Key Nos. 13a, 19-21		b	78250-002	High Strength Cast, <i>use with 35b</i>	
13		Air Spring Assembly, Includes Upper Air Spring Frame Bracket	4	c	59423-030	12" Ride Height (not shown)	
a	67247-002	10" Ride height, Includes Key Nos. 14-17			50754-029	Single Shock Fastener Service Kit, Includes Key Nos. 40-45	
b	91473-002L	12" Ride Height, Includes Key Nos. 14-18		40		*3/4"-10 UNC x 4 1/4" Upper Shock Bolt	4
14		*1/2" Flat Washer	8	41		*3/4" Flat Washer	4
15		*1/2"-13 UNC Locknut	8	42		*3/4"-10 UNC Locknut	4
16		*3/4" Flat Washer	4	43		*5/8"-11 UNC x 7" Lower Shock Bolt	4
17		*3/4"-16 UNF Locknut	4	44		*5/8" Flat Washer	8
18	65031-013	12" Ride Height, Upper Air Spring Bracket	4	45		*5/8"-11 UNC Locknut	4
19	60911-002	Lower Air Spring Mounting Bracket	4	46	60921-000	Height Control Valve Linkage Bracket	2
	49177-006	Lower Air Spring Fastener Service Kit, Single, Includes Key Nos. 20-21				S-cam Fastener Service Kit, Axle Set, Includes Key Nos. 47a, 48-53	
20		*1/2" Flat Washer	8		58821-034	Includes Key Nos. 47b, 48-53	
21		*1/2"-13 UNC Locknut	8	47		***S-cam Support Bracket, <i>see part number on</i> <i>component</i>	4
	48718-120	U-bolt Service Kit, One Wheel End, Includes Key Nos. 22a-b, 23-24		a	64508-005	For Dana Axle	
22		*3/4" Square U-bolt	8	b	64508-003	For Meritor Axle	
a		Outboard - Length 10"		48		*3/8"-16 UNC x 1 1/2" Hex Bolt	8
b		Inboard - Length 10 1/2"		49		*3/8" Hardened Washer	16
23		*3/4" Flat Washer	16	50		*3/8"-16 UNC Locknut	8
24		*3/4"-16 UNF U-bolt Locknut	16	51		*5/16" S-cam U-bolt	4
25	65208-XXX	Bottom Cap, <i>see Selection Guide on</i> <i>Pages 11 and 12</i>	4	52		*5/16" Hardened Washer	16
26		Top Pad, <i>see illustration and Selection Guide</i> <i>on Pages 11 and 12</i>	4	53		*5/16"-18 UNC Locknut	8
a	65210-XXX	Equipped with Drum Brake		54		*****Torque Rod Spacer	4
b	91565-XXX	Equipped with Air Disc Brake		55	70867-001	P-80 Bushing Lubricant - 10 ml. per Bushing 1 (not shown)	

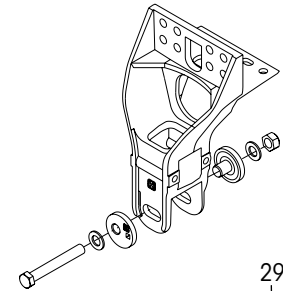


PRIMAAX EX 23K T • 26K T | Small Clamp Group

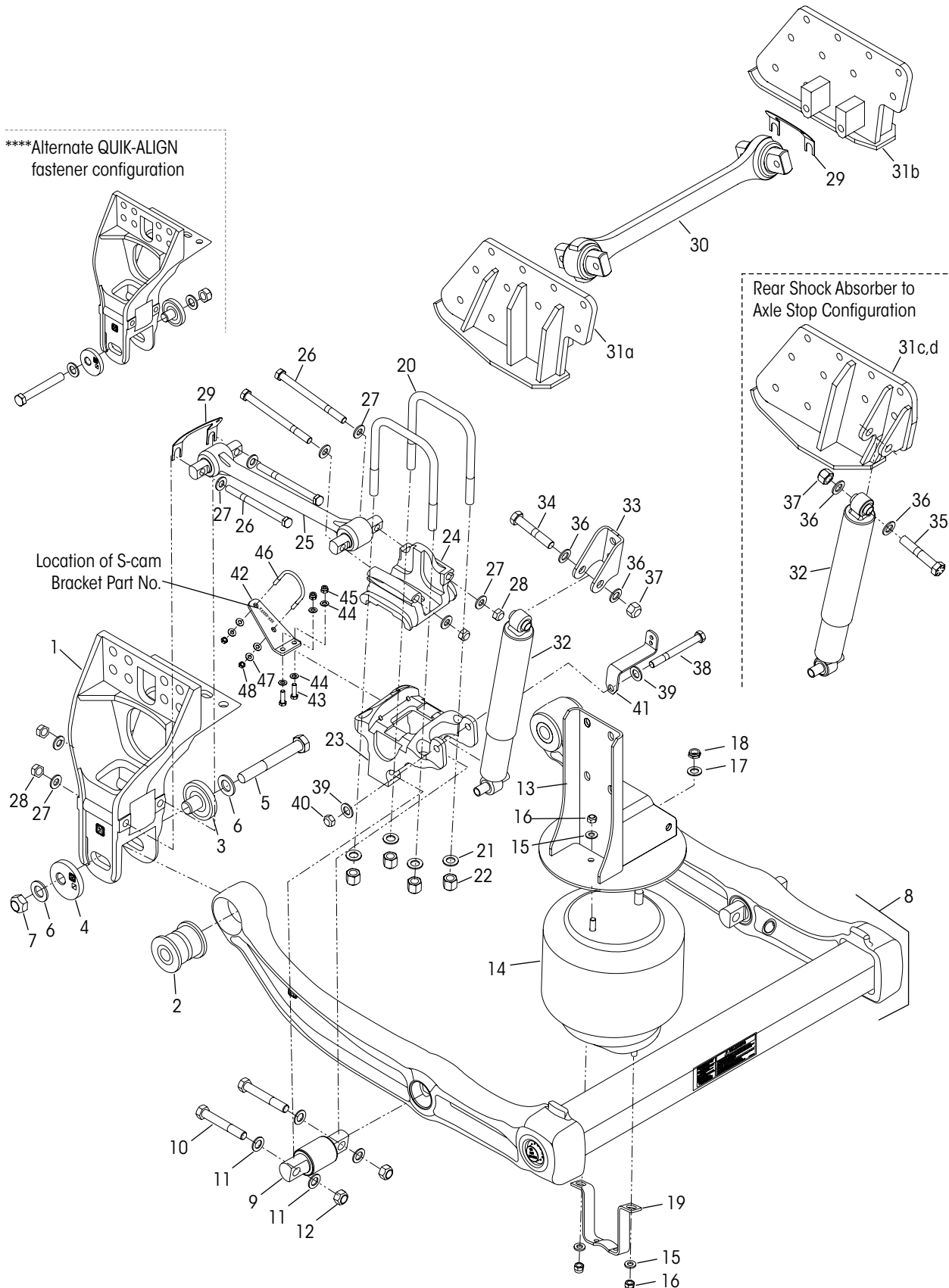
T – designates Tall Ride Height

14½" • 15½" Ride Height
Equipped with Drum Brakes

****Alternate QUIK-ALIGN
fastener configuration



Location of S-cam
Bracket Part No.





PRIMAAX® EX 23K T • 26K T for Kenworth • Peterbilt Vehicles

KEY NO.	PART NO.	DESCRIPTION	VEHICLE QTY.
1		Frame Hanger	
	67299-001	Left Hand	1
	67299-002	Right Hand	1
		QUIK-ALIGN Pivot Bushing Service Kits, Includes Key Nos. 2-7, 49	
	60961-720	One Wheel End	
	60632-020	Axle Set	
		QUIK-ALIGN Collar Service Kit, Includes Key Nos. 3-7	
	60632-019	One Wheel End	
	60632-021	Axle Set	
	60632-018	QUIK-ALIGN Fastener Service Kit One Wheel End, Includes Key Nos. 5-7	
2		**QUIK-ALIGN Pivot Bushing	4
3		**QUIK-ALIGN Concentric Collar	4
4		**QUIK-ALIGN Eccentric Collar	4
5		**1"-14 UNF-2A x 7½" Hex Bolt	4
6		**1" H-Coat Flat Washer	8
7		**1"-14 UNF-2B Locknut	4
8	67249-004	U-beam Assembly, Includes Key Nos. 2, 9	1
	34013-117	Single D-Pin Bushing Service Kit, Includes Key Nos. 9-12	
9		**D-Pin Bushing	2
	56659-012	D-Pin Fastener Service Kit, Axle Set, Includes Key Nos. 10-12	
10		**¾"-16 UNF x 4¾" Bolt	4
11		**¾" Flat Washer	16
12		**¾"-16 UNF Locknut	8
13		Upper Air Spring Bracket Assembly	2
	69932-002	23K T	
	69932-003	26K T	
		Single Air Spring Assembly Service Kit, Includes Key Nos. 14-19	
	69951-003	23K T	
	69882-003	26K T	
14		Air Spring Assembly	2
	67391-002	23K T	
	67044-002	26K T	
		Air Spring Fastener Service Kits, Single, Lower, Includes Key Nos. 15-16 Upper/Lower, Includes Key Nos. 15-18	
	49177-006		
	49177-023		
15		**½" Flat Washer	8
16		**½"-13 UNC Locknut	8
17		**¾" Flat Washer	2
18		**¾"-16 UNF Locknut	2
19	60911-002	Lower Air Spring Mounting Bracket	2
	91430-047	U-bolt Service Kit, One Wheel End, Includes Key No. 20 & Kit No. 48718-501	
20		**¾" Square U-bolt - Length 8⅞"	8
	48718-501	U-bolt Fastener Service Kit, One Wheel End, Includes Key Nos. 21-22	

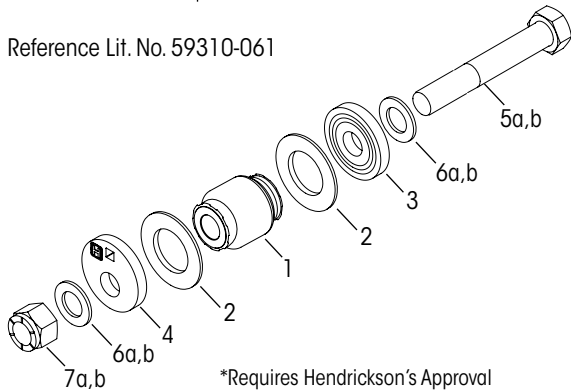
KEY NO.	PART NO.	DESCRIPTION	VEHICLE QTY.
21		**¾" Flat Washer	16
22		**¾"-16 UNF U-bolt Locknut	16
23	60556-025	Bottom Cap	2
24	65289-000	Top Pad	2
25	62011-415N	Longitudinal Torque Rod Assembly	2
	49176-032	Longitudinal Torque Rod Bolt Service Kit, One Torque Rod, Includes Key Nos. 26-28	
26		**⅝"-11 UNC-2B x 8" Bolt	16
27		**⅝" Flat Washer	32
28		**⅝"-11 UNC-2A Locknut	16
29	49689-000L	Shim (As Required)	
30		***Transverse TRAAAX ROD Assembly	1
	8240-0000-560	15½" Ride Height, <i>Replaces 72000-560C</i>	
	8240-0000-630	14½" Ride Height	
31		Axle Stop •15½" Ride Height	
a	70171-000	Left Hand Front	1
b	70172-000	Right Hand Front	1
c	70173-000	Left Hand Rear, Includes Upper Shock Bracket	1
d	70174-000	Right Hand Rear, Includes Upper Shock Bracket	1
		•14½" Ride Height	
e	69580-100	Left Hand	1
f	69581-100	Right Hand	1
32	60665-011L	Shock Absorber	2
33	59423-001	Upper Shock Frame Bracket, Front Axle	2
		Single Shock Fastener Service Kit, Front, works with Key No. 31a,31b, Includes Key Nos. 34, 36-40	
	34013-327		
	50754-030	Rear, works with Key Nos. 31c, 31d, Includes Key Nos. 35-40	
34		**¾"-10 UNC x 3¾" Upper Shock Bolt	2
35		**¾"-10 UNC x 4¼" Upper Shock Bolt	2
36		**¾" Flat Washer	4
37		**¾"-10 UNC Locknut	2
38		**⅝"-11 UNC x 6" Lower Shock Bolt	2
39		**⅝" Flat Washer	4
40		**⅝"-11 UNC Locknut	2
41	60921-000	Height Control Valve Linkage Bracket	1
42	64508-XXX	***S-cam Support Bracket, <i>see part number on component</i>	2
	58821-017	S-cam Fastener Service Kit, Axle Set, Includes Key Nos. 43-48	
43		**⅝"-16 UNC x 1¼" Hex Bolt	8
44		**⅝" Hardened Washer	16
45		**⅝"-16 UNC Locknut	8
46		**⅝"-16 S-cam U-bolt	4
47		**⅝" Hardened Washer	16
48		**⅝"-18 UNC Locknut	8
49	70867-001	P-80 Bushing Lubricant - 10 ml. per Bushing 1 (not shown)	



■ Severe Service Kits

Severe Service Kit No. 60632-043 | QUIK-ALIGN Pivot Bushing, Axle Set
1" Fasteners
No. 60632-033 | *1 1/4" Fasteners

Reference Lit. No. 59310-061



*Requires Hendrickson's Approval

PRIMAAX EX Service Kit Nos.

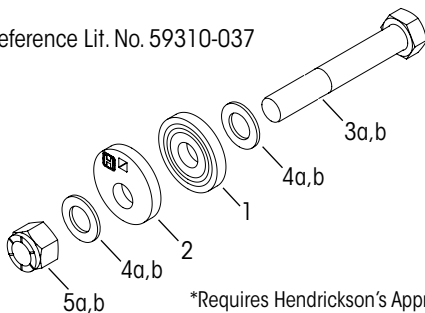
60632-043 – 1" Fasteners, Includes Key Nos. 1-4, 5a-7a, 8

**60632-033 – 1 1/4" Fasteners (Requires Hendrickson Approval)
Includes Key Nos. 1-4, 5b-7b, 8**

KEY NO.	CONTENTS	KIT QTY.
1	QUIK-ALIGN Pivot Bushing	2
2	Confinement Washer	4
3	QUIK-ALIGN Concentric Collar	2
4	QUIK-ALIGN Eccentric Collar	2
5 a	1"-14 UNF x 7 1/2" Bolt	2
b	1 1/4"-12 UNF x 8" Bolt	2
6 a	1" Hardened Washer	4
b	1 1/4" Hardened Washer	4
7 a	1"-14 UNF Nylocknut	2
b	1 1/4"-12 UNF Nylocknut	2
8	P-80 Bushing Lubricant - 10 ml. (per Bushing 1)	2

Severe Service Kit No. 60632-021 | QUIK-ALIGN Collar, Axle Set
1" Fasteners
No. 60632-015 | *1 1/4" Fasteners

Reference Lit. No. 59310-037



*Requires Hendrickson's Approval

PRIMAAX EX Service Kit Numbers

60632-021 – 1" Fasteners, Includes Key Nos. 1-2, 3a-5a

**60632-015 – 1 1/4" Fasteners, (Requires Hendrickson Approval)
Includes Key Nos. 1-2, 3b-5b**

KEY NO.	CONTENTS	KIT QTY.
1	QUIK-ALIGN Concentric Collar	2
2	QUIK-ALIGN Eccentric Collar	2
3 a	1"-14 UNF x 7 1/2" Bolt	2
b	1 1/4"-12 UNF x 8" Bolt	2
4 a	1" Hardened Washer	4
b	1 1/4" Hardened Washer	4
5 a	1"-14 UNF Nylocknut	2
b	1 1/4"-12 UNF Nylocknut	2

NOTES: Quantities specified are shown for tandem suspension. Adjust quantities for single or tridem suspensions. Quantities of service kit components may vary from amount shown in lists.

* Item included in kit/assembly only, part not sold separately.

** Transverse torque rods are mandatory for the PRIMAAX EX • PRIMAAX suspensions regardless of axle spacing, see Literature Nos. 59310-004 and 59310-058 for more information. TRAAX ROD bushings are non-serviceable, the entire torque rod assembly requires replacement. Visit the TRAAX ROD website: www.traaxrods.com for more information.

*** S-cam support bracket is not required if the vehicle is equipped with air disc brakes.

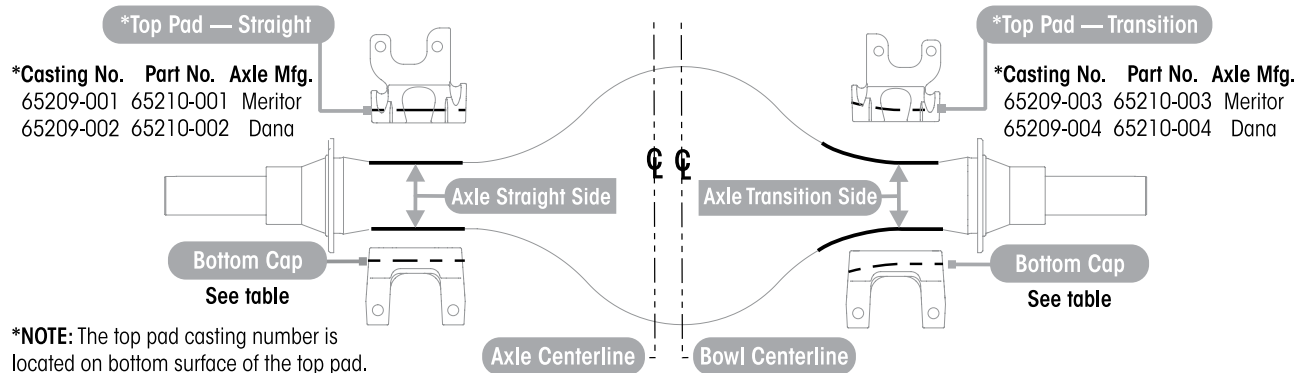


Bottom Cap • Longitudinal Torque Rod • Top Pad Selection Guide

PRIMAAX EX 26K • 52K • 78K

Equipped with Drum Brakes

10", 12" Ride Height



Page 7		PRIMAAX EX 26K • 52K					
Beam Centers	Axle Manufacturer	Bottom Cap Part Number					
		Tandem				Single	
		Straight Side		Transition Side		Straight Side	Transition Side
Front	Rear	Front	Rear				
40.0"	Meritor	65208-101	65208-103	65208-106	65208-109	65208-101	65208-105
	Dana	65208-102	65208-104	65208-108	65208-111	Contact Hendrickson for Part Nos.	

Longitudinal Torque Rod • Top Pad Selection Guide

Page 7		PRIMAAX EX 26K • 52K • 78K			
	Pinion Angle	Axle Manufacturer	*Longitudinal Torque Rod Assembly Part No.	Top Pad	
				Left Part No.	Right Part No.
FORWARD REAR	1.5°	Dana Meritor	65302-460	65210-001	65210-003
	2.0°			65210-002	65210-004
	2.5° - 3.0°		65302-470	65210-002	65210-004
			65302-470	65210-001	65210-003
	3.5°		65302-470	65210-002	65210-004
4.0°	65302-475	65210-002	65210-004		
				65210-001	65210-003
REAR REAR	9.0° - 9.5°	Dana Meritor	65302-510	65210-004	65210-002
	10.0°		65302-520	65210-004	65210-002
	10.5°		65302-515	65210-004	65210-002
			65302-520	65210-003	65210-001
	11.0°		65302-520	65210-003	65210-001
	11.5°		65302-525	65210-004	65210-002
			65302-520	65210-003	65210-001
			65302-525	65210-003	65210-001
12.0°	65302-525	65210-003	65210-001		
13.0°	65302-530	65210-003	65210-001		

NOTE: * Torque rod bushings are non-serviceable, replace the complete torque rod assembly.

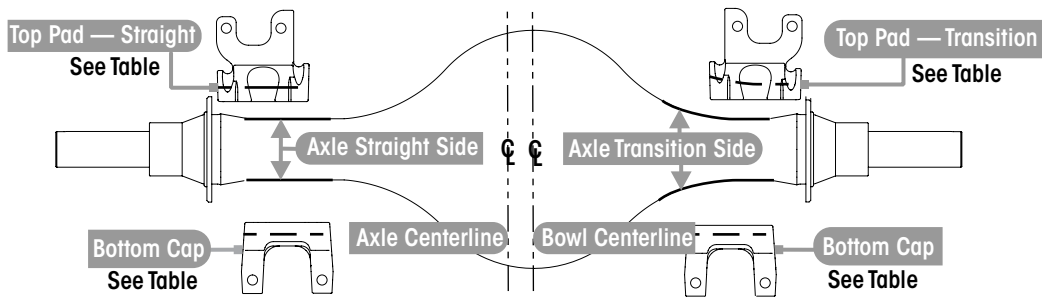


Longitudinal Torque Rod • Top Pad • Bottom Cap Selection Guide

Equipped with Air Disc Brakes

PRIMAAX EX 26K • 52K • 78K

10" Ride Height



Pinion Angle	Torque Rod Spacer Thickness (mm)	Longitudinal Torque Rod	Top Pad				Bottom Cap			
			DANA AXLE		MERITOR AXLE		DANA AXLE		MERITOR AXLE	
			Straight	Transition	Straight	Transition	Straight	Transition	Straight	Transition
FRONT										
0.0°	—	91277-001A (LH)	91565-013A (LH)	91565-033A (LH)	91565-003A (LH)	91565-023A (LH)	65208-002	65208-007 (LH)	65208-001	65208-005 (LH)
0.5°	3.04									
1.0°	6.35									
1.5°	9.36	91277-001B (RH)	91565-013B (RH)	91565-033B (RH)	91565-003B (RH)	91565-023B (RH)	65208-002	65208-008 (RH)	65208-001	65208-006 (RH)
2.0°	12.7									
2.5°	15.74									
3.0°	19.05	91277-002A (LH)	91565-012A (LH)	91565-032A (LH)	91565-002A (LH)	91565-022A (LH)	65208-002	65208-008 (RH)	65208-001	65208-006 (RH)
3.5°	22.09									
4.0°	—									
4.5°	3.04	91277-002B (RH)	91565-012B (RH)	91565-032B (RH)	91565-002B (RH)	91565-022B (RH)	65208-002	65208-008 (RH)	65208-001	65208-006 (RH)
5.0°	6.35									
5.5°	9.36									
6.0°	12.7	91277-002B (RH)	91565-012B (RH)	91565-032B (RH)	91565-002B (RH)	91565-022B (RH)	65208-002	65208-008 (RH)	65208-001	65208-006 (RH)
6.5°	15.74									
7.0°	19.05									
REAR										
7.0°	19.05	91277-003A (LH)	91565-012A (LH)	91565-032A (LH)	91565-002A (LH)	91565-022A (LH)	65208-004	65208-011 (LH)	65208-003	65208-009 (LH)
7.5°	22.09									
8.0°	25.4									
8.5°	14.2	91277-003B (RH)	91565-012B (RH)	91565-032B (RH)	91565-002B (RH)	91565-022B (RH)	65208-004	65208-011 (LH)	65208-003	65208-009 (LH)
9.0°	19.05									
9.5°	20.6									
10.0°	25.4	91277-004A (LH)	91565-011A (LH)	91565-031A (LH)	91565-001A (LH)	91565-021A (LH)	65208-004	65208-011 (LH)	65208-003	65208-009 (LH)
10.5°	26.92									
11.0°	26.92									
11.5°	26.92	91277-004B (RH)	91565-011B (RH)	91565-031B (RH)	91565-001B (RH)	91565-021B (RH)	65208-004	65208-011 (LH)	65208-003	65208-009 (LH)
12.0°	26.92									
12.5°	26.92									
13.0°	26.92	91277-004B (RH)	91565-011B (RH)	91565-031B (RH)	91565-001B (RH)	91565-021B (RH)	65208-004	65208-011 (LH)	65208-003	65208-009 (LH)
13.5°	26.92									
14.0°	26.92									



Longitudinal Torque Rod • Top Pad • Bottom Cap Selection Guide

Equipped with Air Disc Brakes

PRIMAAX EX 26K • 52K • 78K

12" Ride Height

Pinion Angle	Torque Rod Spacer Thickness (mm)	Longitudinal Torque Rod	Top Pad				Bottom Cap			
			DANA AXLE		MERITOR AXLE		DANA AXLE		MERITOR AXLE	
			Straight	Transition	Straight	Transition	Straight	Transition	Straight	Transition
FRONT										
0.0°	—									
0.5°	3.04									
1.0°	6.35	91277-001A (LH)	91565-013A (LH)	91565-033A (LH)	91565-003A (LH)	91565-023A (LH)				
1.5°	9.36									
2.0°	12.7									
2.5°	15.74	91277-001B (RH)	91565-013B (RH)	91565-033B (RH)	91565-003B (RH)	91565-023B (RH)	65208-007 (LH)		65208-005 (LH)	
3.0°	19.05									
3.5°	22.09						65208-002	65208-008 (RH)	65208-001	65208-006 (RH)
4.0°	—									
4.5°	3.04	91277-002A (LH)	91565-012A (LH)	91565-032A (LH)	91565-002A (LH)	91565-022A (LH)				
5.0°	6.35									
5.5°	9.36									
6.0°	12.7	91277-002B (RH)	91565-012B (RH)	91565-032B (RH)	91565-002B (RH)	91565-022B (RH)				
6.5°	15.74									
REAR										
7.0°	19.05	91277-003A (LH)	91565-012A (LH)	91565-032A (LH)	91565-002A (LH)	91565-022A (LH)				
7.5°	22.09									
8.0°	25.4	91277-003B (RH)	91565-012B (RH)	91565-032B (RH)	91565-002B (RH)	91565-022B (RH)				
8.5°	14.2									
9.0°	19.05						65208-004	65208-011 (LH)	65208-003	65208-009 (LH)
9.5°	20.6							65208-012 (RH)		65208-010 (RH)
10.0°	25.4									
10.5°	26.92									
11.0°	26.92						65208-300	65208-306 (LH) 65208-312 (RH)	65208-200	65208-206 (LH) 65208-212 (RH)
11.5°	26.92	91277-004A (LH)	91565-011A (LH)	91565-031A (LH)	91565-001A (LH)	91565-021A (LH)	65208-301	65208-307 (LH) 65208-313 (RH)	65208-201	65208-207 (LH) 65208-213 (RH)
12.0°	26.92	91277-004B (RH)	91565-011B (RH)	91565-031B (RH)	91565-001B (RH)	91565-021B (RH)	65208-302	65208-308 (LH) 65208-314 (RH)	65208-202	65208-208 (LH) 65208-214 (RH)
12.5°	26.92						65208-303	65208-309 (LH) 65208-315 (RH)	65208-203	65208-209 (LH) 65208-215 (RH)
13.0°	26.92						65208-304	65208-310 (LH) 65208-316 (RH)	65208-204	65208-210 (LH) 65208-216 (RH)
13.5°	26.92						65208-305	65208-311 (LH) 65208-317 (RH)	65208-205	65208-211 (LH) 65208-217 (RH)



■ Special Tools

D-PIN / QUIK-ALIGN® PIVOT BUSHING SERVICE TOOLS

PIN & BUSHING STARTER KIT
Tiger Tool Part No. 15000
 For use with Pin & Bushing Adapter Kit
 Visit tigertool.com



PIN & BUSHING ADAPTER KIT
Tiger Tool Part No. 15042
 For use with Pin & Bushing Starter Kit
 Visit tigertool.com



BUSHING KIT WITH PUMP
OTC Part No. 4247-FR
 Visit otctools.com



BUSHING ADAPTER KIT
OTC Part No. 4254-FR
 For use with OTC Part No. 4247-fr
 Visit otctools.com



QUIK-ALIGN PIVOT BUSHING SERVICE TOOL
Hendrickson Part No. 66086-203L
 Reference Hendrickson Literature No. 59310-061

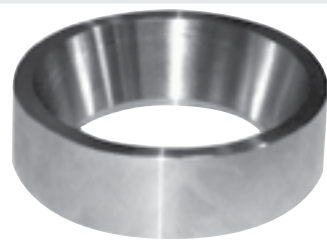


QUIK-ALIGN SOCKET TOOL
OTC Part No. 1767
 Visit otctools.com



TORQUE ROD BUSHING TOOLS

FUNNEL
 Hendrickson Part No. 66086-001L
ULTRA ROD®





This is a general parts list to provide directional information. Components may vary by model. Questions in regards to parts, contact Hendrickson Truck Parts at 855.743.3733 (Toll-free U.S. and Canada), 630.910.2800 (Outside U.S. and Canada) or email: truckparts@hendrickson-intl.com.

Actual product performance may vary depending upon vehicle configuration, operation, service and other factors.

All applications must comply with applicable Hendrickson specifications and must be approved by the respective vehicle manufacturer with the vehicle in its original, as-built configuration.

Contact Hendrickson for additional details regarding specifications, applications, capacities, and operation, service and maintenance instructions.

*Call Hendrickson at **630.910.2800** or **855.RIDERED (855.743.3733)** for additional information.*



www.hendrickson-intl.com

TRUCK COMMERCIAL VEHICLE SYSTEMS

800 South Frontage Road
Woodridge, IL 60517-4904 USA
855.743.3733 (Toll-free U.S. and Canada)
630.910.2800 (Outside U.S. and Canada)
Fax 630.910.2899

SP-225 Rev G 02-26

© 2011 – 2026 Hendrickson USA, L.L.C. All Rights Reserved. All trademarks shown are owned by Hendrickson USA, L.L.C., or one of the affiliates, in one or more countries.

Information contained in this literature was accurate at the time of publication. Product changes may have been made after the copyright date that are not reflected.

Printed in United States of America