

# **H** PARTS LIST

## HT250U UNDERSLUNG

LIT NO: L938

DATE: August 2023

REVISION: G

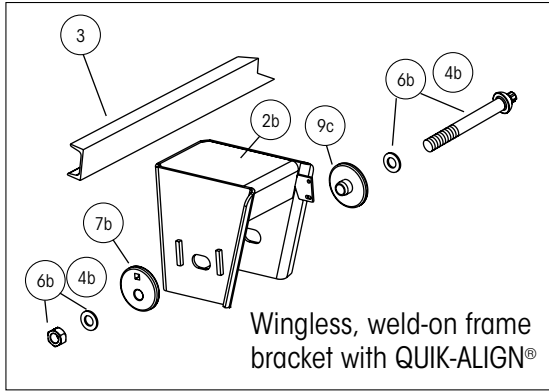
---



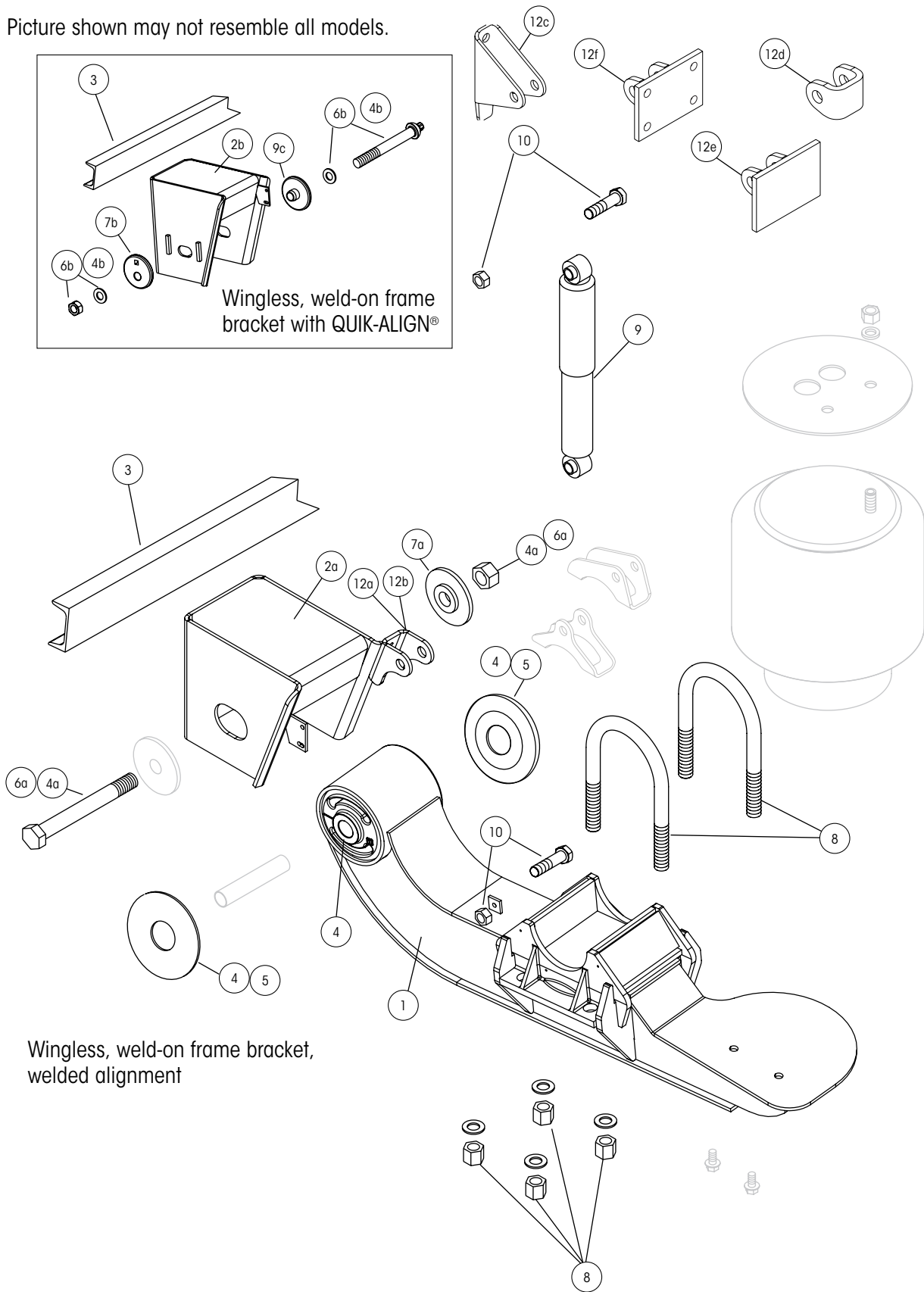
# HT250U UNDERSLUNG PARTS LIST



Picture shown may not resemble all models.



Wingless, weld-on frame bracket with QUIK-ALIGN®



Wingless, weld-on frame bracket, welded alignment



# HT250U UNDERSLUNG PARTS LIST

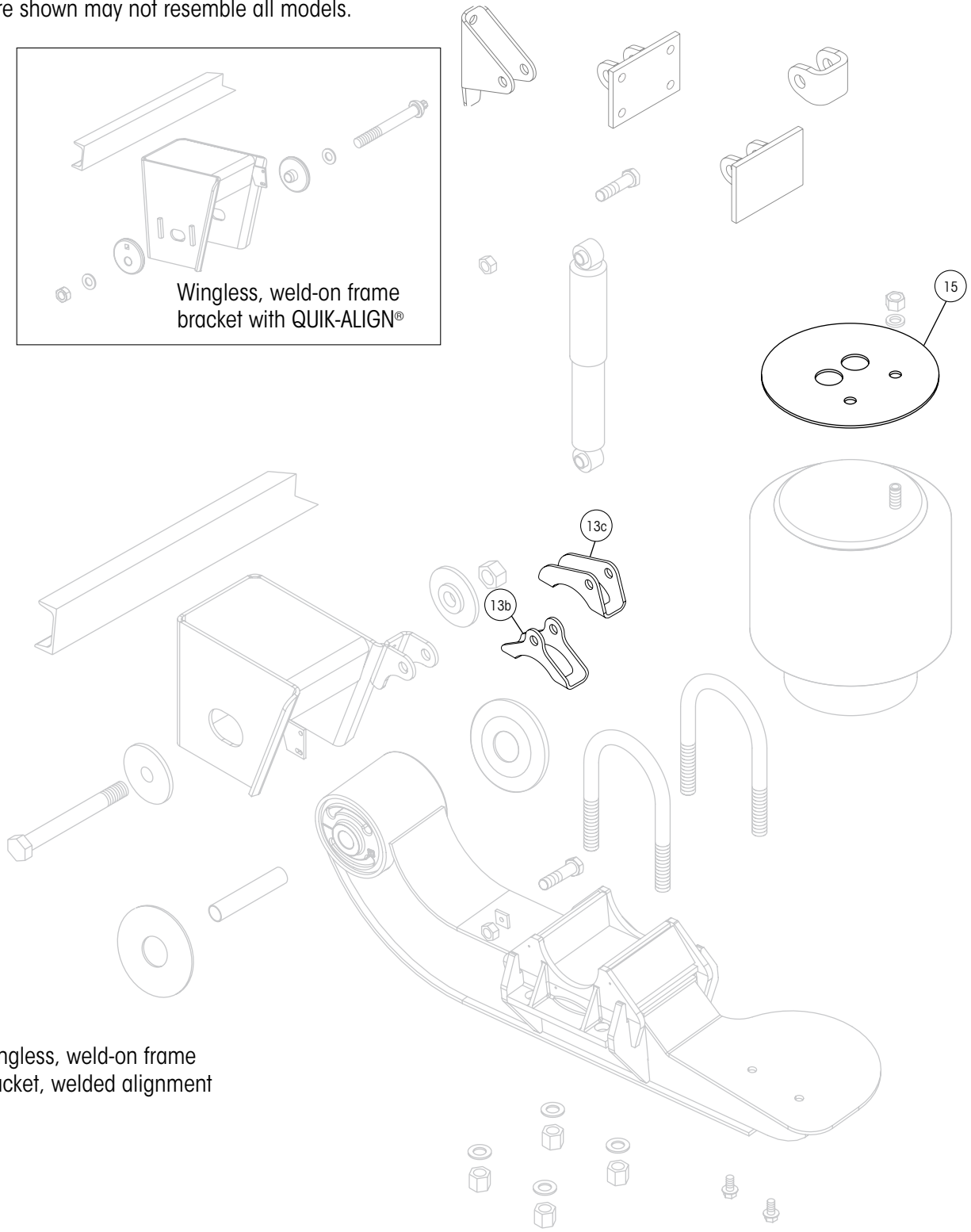
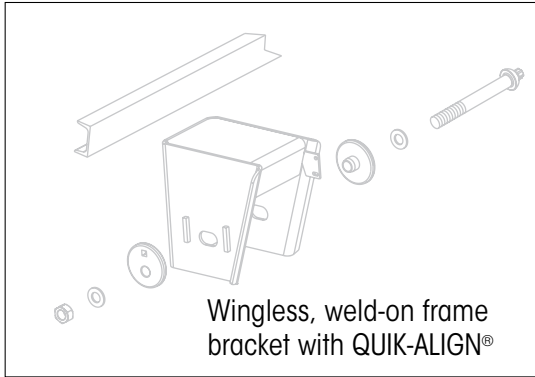
ITEM	DESCRIPTION	PART NO.	QTY. PER SUSP.	FITS MODELS HT250? OR NHT250? OR HC250?
<b>1</b>	<b>BEAM ASSEMBLY</b>			
	Roadside	S-20335-1	1	All models except those listed below
	Curbside	S-20335-2	1	
	Roadside	S-20338-1	1	U-7.5-021 U-7.5-022 U-7.5-521 U-9.2-026
	Curbside	S-20338-2	1	
	Roadside	S-20338-3	1	U-9-020 U-9-021 U-9-023 U-9.2-013 U-9.2-030
	Curbside	S-20338-4	1	
	Roadside	S-20338-5	1	UB.x & UBxx-DBxxx disc brake approved configurations
	Curbside	S-20338-6	1	
<b>2</b>	<b>FRAME BRACKET</b>			See L1266 Frame Bracket Parts List
<b>3</b>	<b>FRAME BRACKET SUPPORT / C-CHANNEL</b>	A-1631-19	1	All models; if suspension beam centers are between 35-41"
<b>4</b>	<b>TRI-FUNCTIONAL® II BUSHING KIT</b>			
	<b>4a Welded Alignment</b>	S-6914	2	Includes bushing, bushing tube spacers, cap screw, prevailing torque hex nut, liner and lube
	<b>4b Eccentric washer, QUIK-ALIGN®</b>	S-24691	2	Includes bushing, bushing tube spacers, round head bolt, prevailing torque hex nut, hardened washers and lube
<b>5</b>	<b>BUSHING TUBE SPACER</b>	S-21099	4	All models
<b>6</b>	<b>PIVOT BOLT KIT</b>			
	<b>6a Welded Alignment</b>	S-3646	2	Includes cap screw, prevailing torque hex nut and liner
	<b>6b QUIK-ALIGN</b>	S-24679	2	Includes round head bolt, hardened washers and prevailing torque hex nut
<b>7</b>	<b>ALIGNMENT COLLAR</b>			
	<b>7a Welded Alignment</b>	S-2770	4	Collars are welded to frame bracket
	<b>7b Eccentric washer, QUIK-ALIGN</b>	S-20925	2	Bolt hole is offset from center to collar
	<b>7c Concentric washer, QUIK-ALIGN</b>	S-20924	2	Pivot bolt hole is center of collar
<b>8</b>	<b>U-BOLT KIT, RD</b>	S-3650/4	4	All models
<b>9</b>	<b>SHOCK ABSORBER</b>			See L1287 Shock and Shock Strap Parts List
<b>10</b>	<b>SHOCK BOLT KIT</b>	S-2157/2	2	All models
<b>11</b>	<b>SHOCK STRAP KIT</b>			See L1287 Shock and Shock Strap Parts List
<b>12</b>	<b>UPPER SHOCK CLEVIS</b>			
	<b>12a Mounted on FB</b>	S-2592	2	All models except those listed below
	<b>12b Mounted on FB</b>	S-20113	2	U-6.5-007 U-6.5-024 U-6.5-001 U-6.5-008 U-6.5-011 U-6.5-020 U-6.5-021 U-6.5-027 U-6.5-517 U-7.5-005 U-6.5-002 U-6.5-003 U-6.5-022 UB6.5-001 UB6.5-022 UB6.5-517 UB7.5-005 UB6.5-002
	<b>12c Forward mount on trailer frame</b>	S-20023	2	U-6.5-030 U-6.5-031
	<b>12d Rear mount on trailer frame WO clevis only</b>	S-2592	2	UB7.5-DB1 UB9-DB1 UB9-DB020 UB9-DB021 UB9-4DB1
	<b>12e Rear mount on trailer frame WO clevis &amp; plate</b>	S-5431	2	UB.x UB6.5-DB1 UB7.5-DB2 UB9-DB2
	<b>12f Rear mount on trailer frame BO clevis &amp; plate</b>	S-38151	2	UB.x

NOTE: Identification tag can be found on the front of the roadside frame bracket or the inside of the curbside beam.

# HT250U UNDERSLUNG PARTS LIST



Picture shown may not resemble all models.



Wingless, weld-on frame bracket, welded alignment



# HT250U UNDERSLUNG PARTS LIST

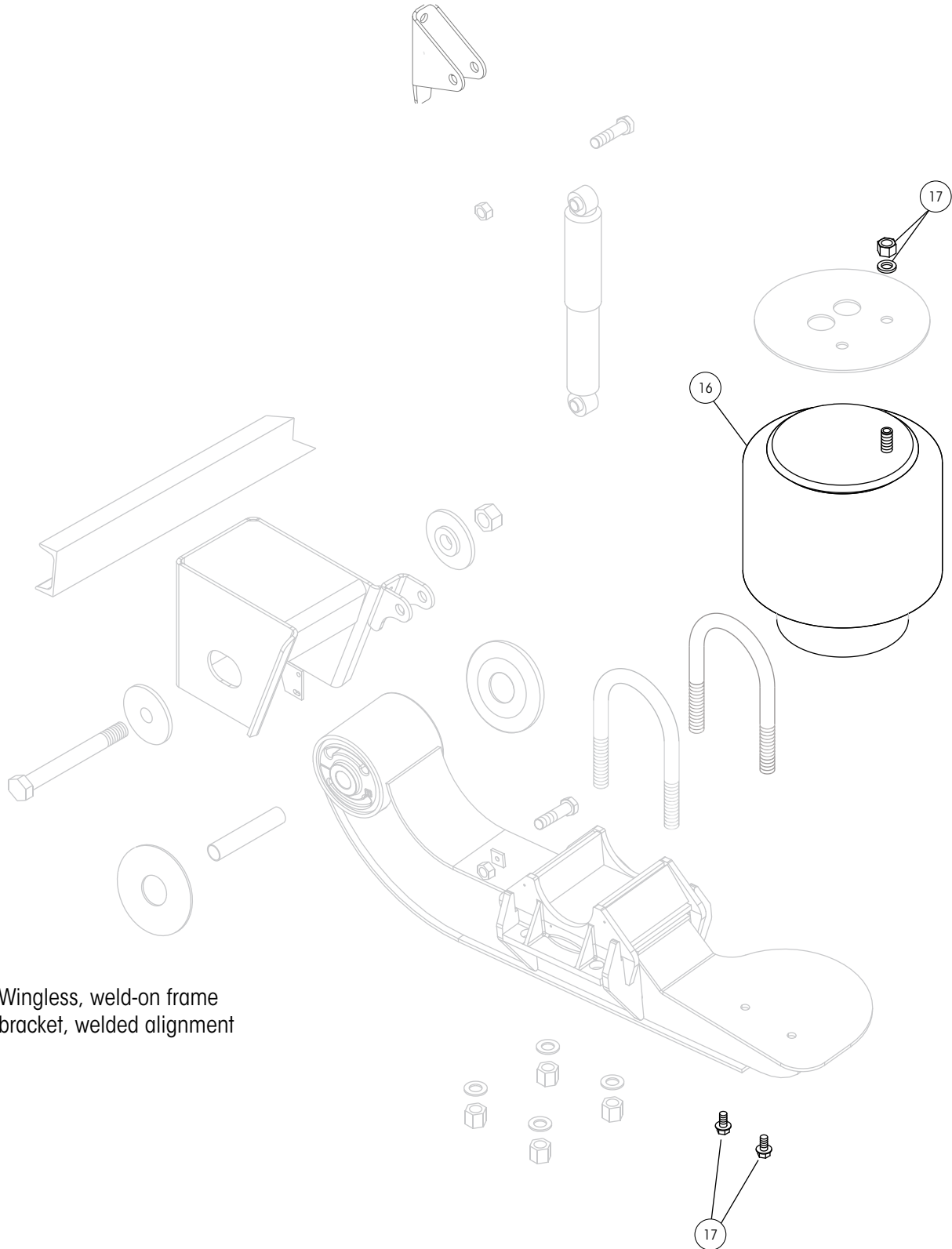
ITEM	DESCRIPTION	PART NO.	QTY. PER SUSP.	FITS MODELS HT250? OR NHT250? OR HC250?
<b>13</b>	<b>LOWER SHOCK CLEVIS</b>			
	13a On beam (not shown)	S-2592	2	
	13b On axle; hole centered	S-32444	2	UB.x UB6.5-DB1 UB9-DB020 UB9-DB021
	13c On axle; hole off center	S-2723	2	UB7.5-DB1 UB7.5-DB2 UB9-DB1 UB9-DB2 UB9-4DB1
<b>14</b>	<b>AIR SPACER ASSEMBLY (not shown)</b>			
	14a WO 1" Thick	S-21210-1	2	U-6.5-022 U-7.5-002
	14b WO 2" Thick	S-21210-2	2	<b>UB.X (WO Limited Jounce Travel 7.5 RH)</b> UB7.5-DB2 UB9-DB2
	14c WO 3" Thick	S-21210-3	2	U-9-002 U-9-029 U-12-001 U-12-006 U-12-008 U-12-517 UB12-001 UB12-006 UB12-027 UB12-028
	14d WO 4" Thick	S-21210-4	2	<b>UB.X (WO Limited Jounce Travel 9.0 RH)</b> U-9-024 U-12-002 U-12-024 U-14-001 U-14-006 U-14-008 U-14-028 U-14-517 UB9-002 UB9-013 UB14-001 UB14-006 UB14-027 UB14-028
	14e BO 3-3/16" Thick	S-21215-3	2	U-12-007 U-12-026
	14f BO 4-3/16" Thick	S-21215-4	2	<b>UB.X (BO Limited Jounce Travel 9.0 RH)</b> U-14-026 UB14-023
	14g BO 5-3/16" Thick	S-21215-5	2	U-14-007
<b>15</b>	<b>AIR SPRING PLATE</b>			
	15a STD WO Plate	S-21209	2	<b>UB.X (STD Travel 6.5, 7.5, 9.0 RH)</b> U-6.5-001 U-6.5-002 U-6.5-008 U-6.5-011 U-6.5-020 U-6.5-023 U-6.5-024 U-6.5-027 U-6.5-030 U-6.5-031 U-6.5-517 U-7.5-001 U-7.5-005 U-7.5-008 U-7.5-017 U-7.5-027 U-7.5-517 U-9-001 U-9-006 U-9-008 U-9-010 U-9-022 U-9-027 U-9-028 U-9-517 UB6.5-001 UB6.5-002 UB6.5-517 UB6.5-522 UB7.5-001 UB7.5-005 UB7.5-522 UB9-001 UB9-010 UB9-522 UB6.5-DB1 UB7.5-DB1 UB9-DB1 UB9-DB020 UB9-DB021 UB9-4DB1
	15b STD BO PLATE	S-21211	2	<b>UB.X (STD TRAVEL 6.5, 7.5, 9.0 RH)</b> U-6.5-007 U-7.5-007 U-9-007
	15c MULTI PATTERN PLATE	S-11134	2	U-7.5-021 U-7.5-022 U-9-021 U-9-023 U-9.2-026 U-15-022 UB9-022 UB15-022

NOTE: Identification tag can be found on the front of the roadside frame bracket or the inside of the curbside beam.

# HT250U UNDERSLUNG PARTS LIST



Picture shown may not resemble all models.



Wingless, weld-on frame  
bracket, welded alignment



# HT250U UNDERSLUNG PARTS LIST

ITEM	DESCRIPTION	PART NO.	QTY. PER SUSP.	FITS MODELS HT250? OR NHT250? OR HC250?
16	AIR SPRING			
16a	Std. Mount, High Pressure	S-20124	2	<b>UB.x (STD A/S)</b> All hard bill models except below
16b	Std. Mount, Std. Pressure	S-20127	2	<b>UB.x (HI PSI STD)</b> U-9-006 U-9-028 U-9-029 U-12-006 U-14-006 U-14-028 UB9-DB020 UB12-006 UB12-028 UB14-006 UB14-028
16c	Rotated Mount, High Pressure	S-20413	2	U-6.5-011 U-6.5-023
16d	Rotated Mount, Std. Pressure	S-20414	2	U-9-010 UB9-010
16e	Std. Mount High Pressure Short Bellows	S-20716	2	U-6.5-002 U-6.5-003 U-6.5-022 U-6.5-030 U-6.5-031 U-6.5-002
16f	Dual Combo Stud	S-13122	2	U-9-020 U-9-021 U-9-023 U-9.2-013 U-9.2-026 U-15-021 U-15-022 U-15-023 UB9-022 UB15-022 UB15-023
16g	One Combo Stud & One Stud	S-14249	2	U-7.5-021 U-7.5-022 U-7.5-521
17	AIR SPRING MOUNTING KIT			
17a	3/4-16 nut and lockwasher and two 1/2-13x1" flanged bolts	S-20033/2	2	Used with air springs: s-20124, s-20127, s-20413, s-20414, s-20716
17b	two 3/4-16 nuts & lockwasher and two 1/2-13x1" bolts, one 1/4 NPTF Plug	S-4093/2	2	Used with air spring: s-13122
17c	3/4-16 hex nut & 1/3-13 hex nut two 1/2-13x1" flanged bolts	S-1981/2	2	Used with air spring: s-14249

NOTE: Identification tag can be found on the front of the roadside frame bracket or the inside of the curbside beam.



*Actual product performance may vary depending upon vehicle configuration, operation, service and other factors.*

*All applications must comply with applicable Hendrickson specifications and must be approved by the respective vehicle manufacturer with the vehicle in its original, as-built configuration.  
Contact Hendrickson for additional details regarding specifications, applications, capacities, and operation, service and maintenance instructions.*

**Call Hendrickson at 866.RIDEAIR (743.3247) for additional information.**



[www.hendrickson-intl.com](http://www.hendrickson-intl.com)

**TRAILER COMMERCIAL VEHICLE SYSTEMS**

2070 Industrial Place SE  
Canton, OH 44707-2641 USA  
866.RIDEAIR (743.3247)  
Fax 800.696.4416

**Hendrickson Canada ULC**

2825 Argentia Road, Unit #2 - 4  
Mississauga, ON Canada L5N 8G6  
800.668.5360  
905.789.1030 • Fax 905.812.9423

**Hendrickson Mexicana**

Circuito El Marqués Sur #29  
Parque Industrial El Marqués  
Pob. El Colorado, Municipio El Marqués,  
Querétaro, México C.P. 76246  
+52 (442) 296.3600 • Fax +52 (442) 296.3601