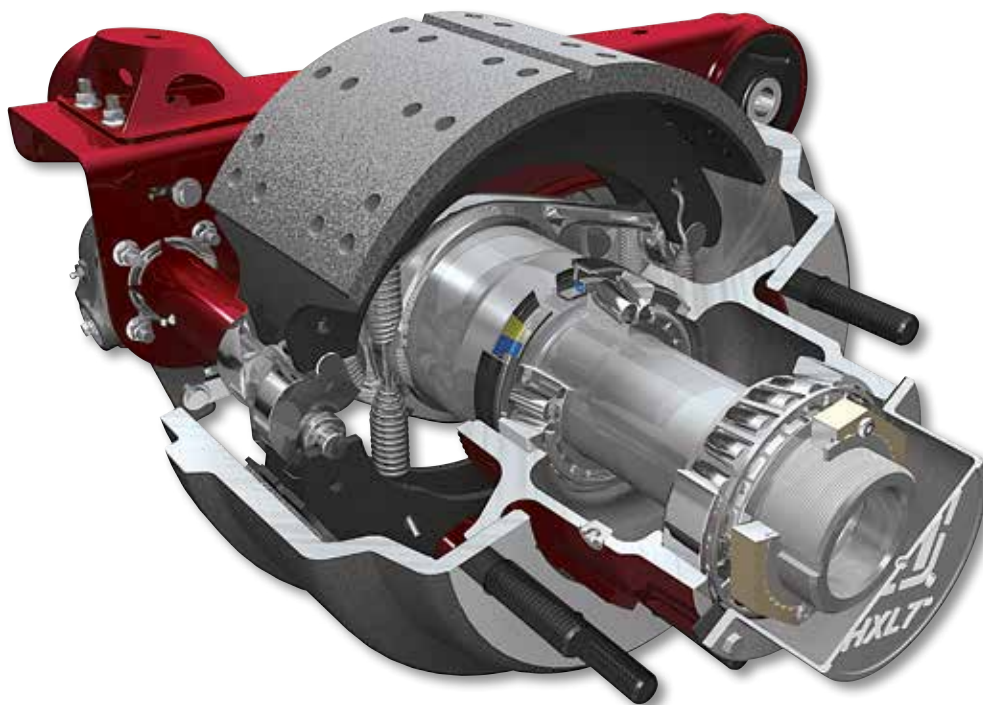


- Engineering expertise
- Installation expertise
- Outstanding performance



Engineering Expertise

HXL7[®] Hendrickson's Extended-Life 7-year system[™] combines Hendrickson's engineering and manufacturing expertise with high-performance wheel-end components to create a wheel-end system that is 100 percent field serviceable** and delivers reliability and performance mile after mile. Developed and built utilizing our innovative research and design resources, the HXL7 boasts an exceptional 7-year limited warranty*.

Installation Expertise

Installed by factory-trained technicians, HXL7 features a precision-machined spindle, a premium Federal-Mogul seal, high-performance synthetic semi-fluid grease and our PRECISION320[®] spindle nut system. The PRECISION320 nut allows for ultra-precise bearing adjustment. HXL7 bearings are set with a slight pre-load, capable with Hendrickson's advanced assembly technology, thus elevating bearing and seal performance beyond traditional levels.

Outstanding Performance

Designed to work in unison with Hendrickson's suspension systems, the HXL7 system helps enhance uptime and reduce maintenance. From suspension through wheel-end, Hendrickson provides optimum system integration, which supports superior weight savings, durability and performance. Hendrickson continues to address the demand for advanced trailer air disc brakes with the introduction of HXL7's Outboard Mounted Rotor option. This unique system that allows the rotor to be serviced without disturbing the wheel-end.



To learn more about HXL7,
call 866.743.3247 or visit
www.hendrickson-intl.com

* Contact Hendrickson for complete warranty terms, conditions and limitations.

** Contact Hendrickson Technical Services before conducting wheel-end service or repairs.

HXL7® Hendrickson Extended-Life 7-year System™ Features and Benefits

Premium Hendrickson Seal

- Long-life seal with Teflon lay down lip that is immune to temperature or chemical attacks, resists leaking and helps prevent contamination ingress

HP/HX Parallel Spindle ONLY

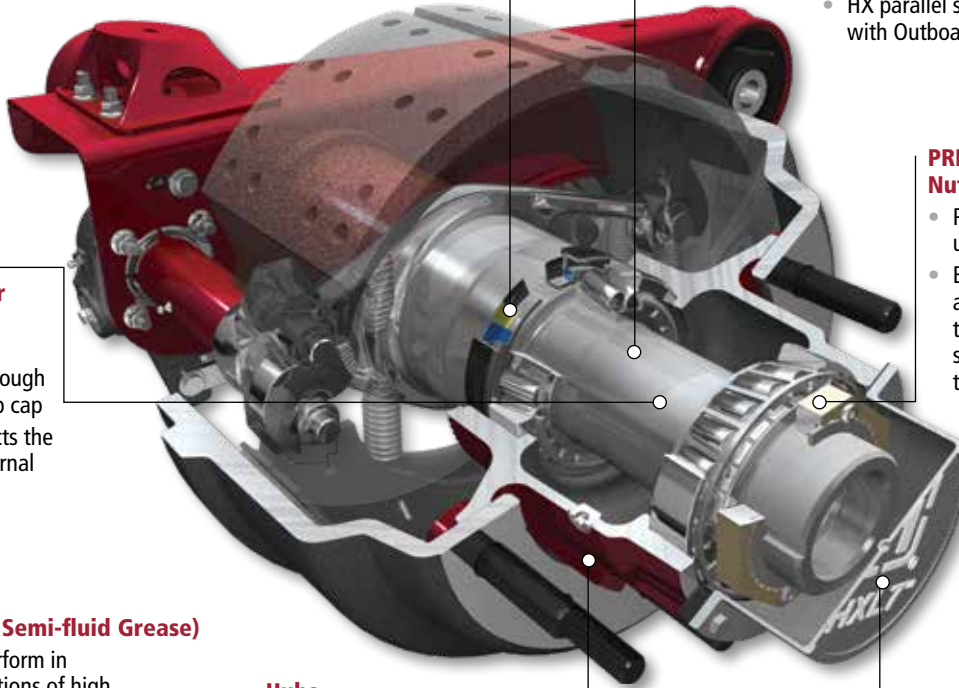
- Parallel spindle promotes even lubrication of inner and outer bearings
- Approved for wide base tires using two-inch offset rims
- HX parallel spindle technology available with Outboard Mounted Rotor

PRECISION320® Nut System

- Patented system allows for ultra-precise bearing adjustment
- Bearings are set and controlled at a slight pre-load condition, thus elevating the bearing and seal performance beyond traditional levels

Hendrickson's Patented Axle Filter and Axle Venting System

- Wheel-end vents through the axle, not the hub cap
- The axle filter protects the wheel-end from internal contamination



Lube (Synthetic / Semi-fluid Grease)

- Formulated to perform in demanding conditions of high and low temperatures
- Excellent anti-wear and low-friction performance
- Less prone to leaking compared to oil

Hubs

- Precision-machined hubs allow for slight pre-load on the bearings
- Designed with fill ports for accurate lube-filling volumes to maximize performance

Non-Vented, Corrosion Resistant Aluminum Hub Cap

- High-quality hub cap gasket with micropore technology to help prevent wicking
- Helps prevent contaminant ingress in tough environments

Trust HXL7® wheel-ends for the long haul

TRAILER APPLICATION	HXL7 WARRANTY	
	LABOR COVERAGE	PARTS COVERAGE
On-Highway ¹	7-years	7-years
Off-Highway	3-years	3-years

HXL7® is available on most INTRAAX®, VANTRAAX® and TRLAXLE® loose trailer axle models and is approved for applications up to 25,000 pounds per axle. Hendrickson warrants HXL7 up to seven-years parts and labor in most on-highway applications.*

* Contact Hendrickson for complete warranty terms, conditions and limitations.

1. HXL7 is not approved for use on Autohaulers.

These products are covered by at least one or more U.S. and / or foreign patents and / or pending U.S. and / or foreign patent applications. See Hendrickson for details.

Actual product performance may vary depending upon vehicle configuration, operation, service and other factors.

All applications must comply with applicable Hendrickson specifications and must be approved by the respective vehicle manufacturer with the vehicle in its original, as-built configuration.

Contact Hendrickson for additional details regarding specifications, applications, capacities, and operation, service and maintenance instructions.

Call Hendrickson at **866.RIDEAIR (743.3247)** for additional information.



www.hendrickson-intl.com

TRAILER COMMERCIAL VEHICLE SYSTEMS
2070 Industrial Place SE
Canton, OH 44707-2641 USA
866.RIDEAIR (743.3247)
Fax 800.696.4416

Hendrickson Canada ULC
2825 Argenta Road, Unit #2 - 4
Mississauga, ON Canada L5N 8G6
800.668.5360
905.789.1030 • Fax 905.812.9423

Hendrickson Mexicana
Circuito El Marqués Sur #29
Parque Industrial El Marqués
Pob. El Colorado, Municipio El Marqués,
Querétaro, México C.P. 76246
+52 (442) 296.3600 • Fax +52 (442) 296.3601

L1152 Rev F 01-24

© 2013 - 2024 Hendrickson USA, L.L.C. All Rights Reserved. All trademarks shown are owned by Hendrickson USA, L.L.C., or one of its affiliates, in one or more countries. Information contained in this literature was accurate at the time of publication. Product changes may have been made after the copyright date that are not reflected.

Printed in United States of America