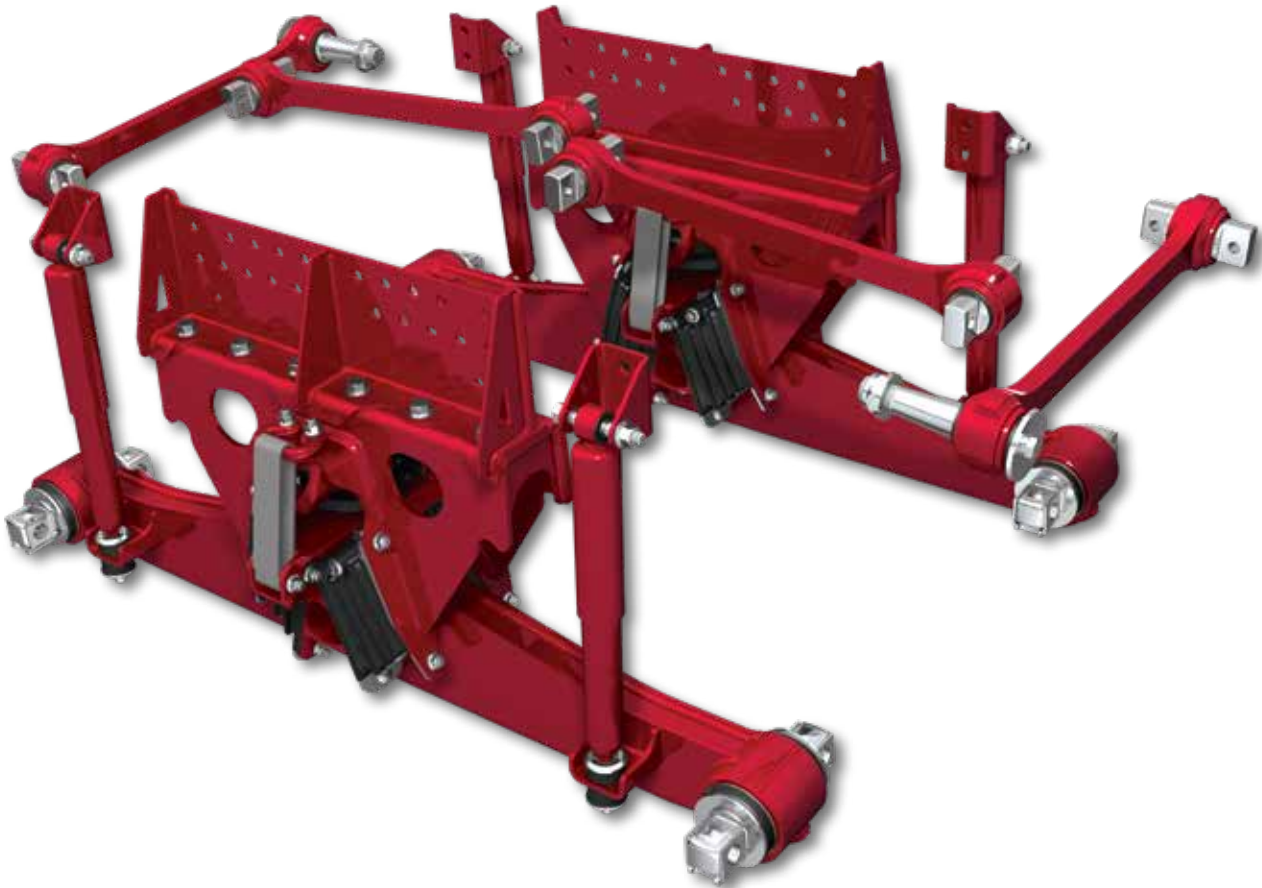


# HAULMAAX® EX

Heavy-Duty, Lightweight Rear Drive Axle, Rubber Suspension System for Kenworth Trucks



- MAAximize payload
- MAAximize performance
- MAAximize durability



Suspension geometry is optimized to provide better site rating, increased capacity ranges and improved durability. Utilizing industry leading validation techniques, high strength materials, and advanced manufacturing methods, HAULMAAX® EX meets the increasing rigorous application demands by delivering the reliability and quality you've come to expect from Hendrickson, the leader in suspension technology.

HAULMAAX EX features a unique spring design that balances empty ride quality and loaded stability. Angled bolster springs and a unique progressive load spring provide exceptional stability for demanding applications such as refuse, concrete mixers and dump. HAULMAAX EX is available in capacities from 40,000 to 52,000 pounds on Kenworth® C500, C580, T480, T680, T800, T880, W900 and W990 models.



To learn more about HAULMAAX EX,  
call 855.743.3733 or visit [www.hendrickson-intl.com](http://www.hendrickson-intl.com)

**HENDRICKSON**  
*The World Rides On Us®*

## MAAXimize Payload • MAAXimize Mobility and Traction • MAAXimize Stability MAAXimize Driver Comfort • MAAXimize Performance

### Hendrickson TRAAX ROD® Torque Rods

- Fabricated heavy-duty torque rods provide greater durability over conventional rods
- Enhance handling during cornering by controlling lateral forces to maintain axle position
- Standard on Kenworth models in transverse torque rod position

### Hendrickson Longitudinal Torque Rods

- Optional longitudinal torque rods engineered to optimize resistance to wind up during acceleration and braking

### Saddle and Frame Bracket

- Lightweight, modular design simplifies installation
- Available in Saddle Heights (SH) of 15.5, 16.5, 17.5, 18.5, 20.25 and 22.5 inches

### Progressive Load Spring

- Increases stiffness as the load increases, providing a unique balance of empty ride quality and loaded stability
- Provides long service life and easy replacement for reduced downtime

### Bar Pin End Connection

- Rugged axle connection helps extend bushing life and allows easy axle alignment and serviceability

### Premium Rubber Bolster Springs

- The unique design works with the Progressive Load Spring to deliver exceptional empty ride quality and loaded stability

### Equalizing Beam

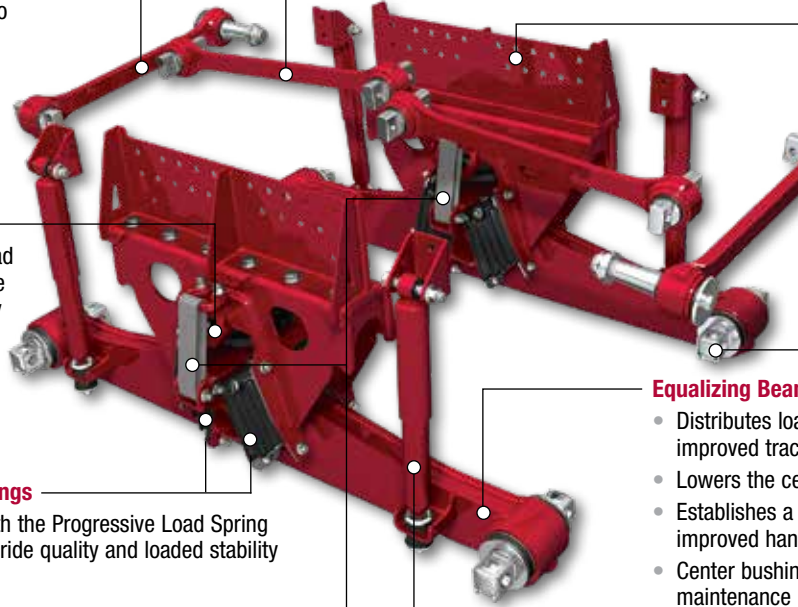
- Distributes load equally between both axles for improved traction
- Lowers the center of gravity to increase stability
- Establishes a solid axle connection for improved handling
- Center bushing eliminated for reduced maintenance
- Available in beam lengths of 54 and 60 inches

### Dual Rebound Straps

- Provide additional bolster spring protection
- Required on vehicles equipped with outriggers
- Standard on 52,000 lbs. HAULMAAX EX
- Option Code - 3832161

### Shock Absorbers

- Standard offering providing additional driver comfort
- Required for tractor and logging applications



Option Code	Description	Model Availability
3732975	40,000 lbs., 54", shocks, 15.5" SH	T480, T880
3732976	40,000 lbs., 54", shocks, 16.5" SH	T480, T680, T800, T880, W900
3732977	40,000 lbs., 54", shocks, 17.5" SH	T480, T680, T800, T880, W900, W990
3742939	46,000 lbs., 54", shocks, 15.5" SH	T880
3742940	46,000 lbs., 54", shocks, 16.5" SH	T480, T680, T800, T880, W900, W990
3742941	46,000 lbs., 54", shocks, 17.5" SH	T480, T680, T800, T880, W900, W990
3742942	46,000 lbs., 54", shocks, 18.5" SH	T480, T680, T800, T880, W900, W990
3742943	46,000 lbs., 54", shocks, 20.25" SH	T480
3742944	46,000 lbs., 54", shocks, 22.5" SH	T880
3742947	46,000 lbs., 60", shocks, 17.5" SH	T480, T880, W900, W990
3742948	46,000 lbs., 60", shocks, 18.5" SH	T480, T880
3752940	52,000 lbs., 54", shocks, 16.5" SH	C500, C580, T800, T880, W900, W990
3752941	52,000 lbs., 54", shocks, 17.5" SH	T880, W900, W990
3752942	52,000 lbs., 54", shocks, 18.5" SH	T800, T880

*Actual product performance may vary depending upon vehicle configuration, operation, service and other factors. All applications must comply with applicable Hendrickson specifications and must be approved by the respective vehicle manufacturer with the vehicle in its original, as-built configuration. Contact Hendrickson for additional details regarding specifications, applications, capacities, operation, service and maintenance instructions.*

Call Hendrickson at **630.910.2800** or **855.RIDERED (743.3733)** for additional information.



**TRUCK COMMERCIAL VEHICLE SYSTEMS**  
800 South Frontage Road  
Woodridge, IL 60517-4904 USA  
855.RIDERED (743.3733)  
630.910.2800 • Fax 630.910.2899



www.hendrickson-intl.com

www.kenworth.com