

# H PARTS LIST

## AIRTEK® Front System for Mack Vehicles

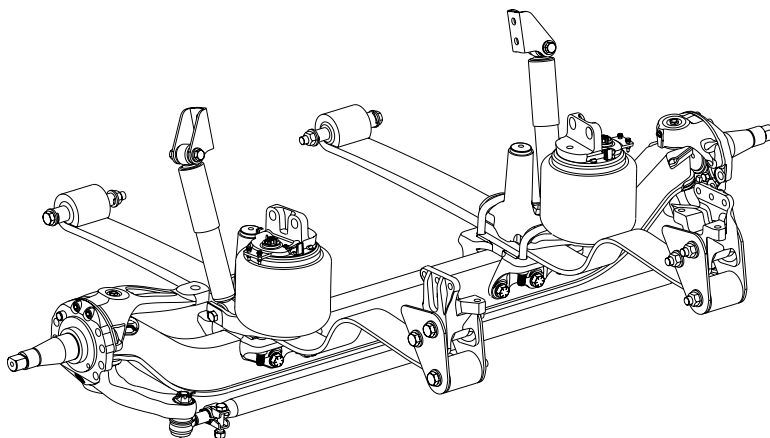
LIT NO: SP-180

DATE: May 2021

REVISION: I

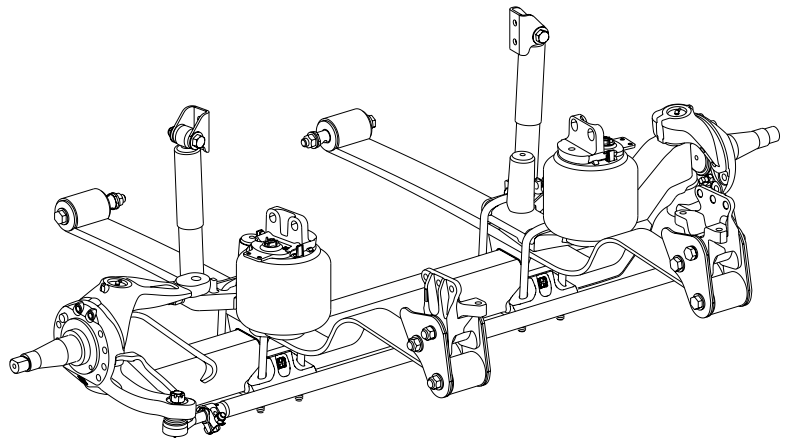
### CONTENTS

DESCRIPTION	PAGE	DESCRIPTION	PAGE
<b>AIRTEK with STEERTEK™ NXT Axle</b>		■ Single Height Control Valve for Vehicles built prior to 3/05 . . . . .	7
■ Vehicles built after July 2011 . . . . .	2	■ Air Spring with Support Plate Service Kit for Vehicles built Between 3/05 and 6/07 . . . . .	7
<b>AIRTEK with STEERTEK™ Axle</b>		<b>Tie Rod Selection Guide</b> . . . . .	8
■ Vehicles built prior to July 2011 . . . . .	4	<b>Notes</b> . . . . .	8
■ Vehicles built with pre '07 Engine . . . . .	6		



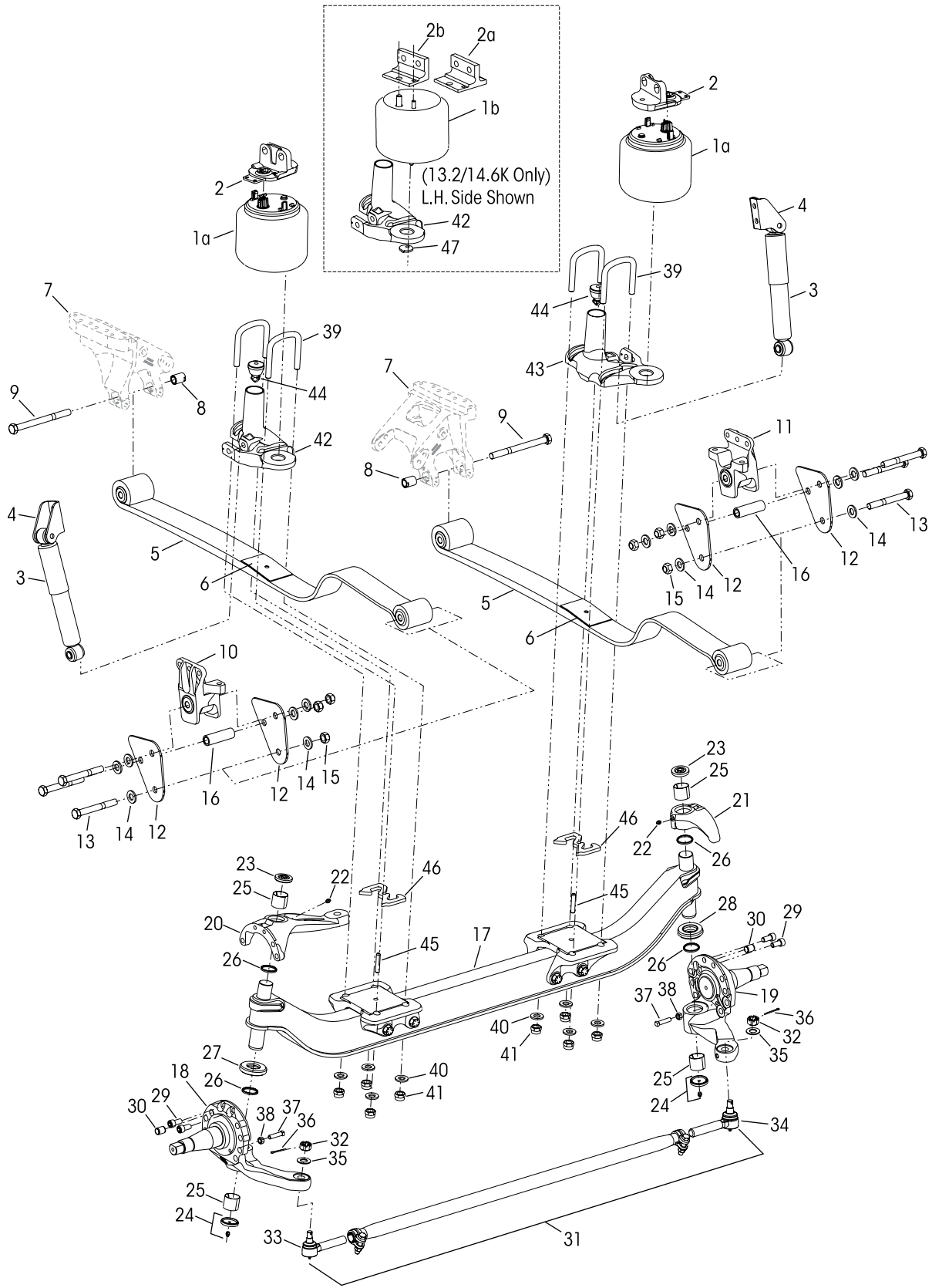
**AIRTEK with STEERTEK™ NXT Axle**  
Vehicles built after July 2011

**AIRTEK with STEERTEK™ Axle**  
Vehicles built prior to July 2011





■ Vehicles built after July, 2011

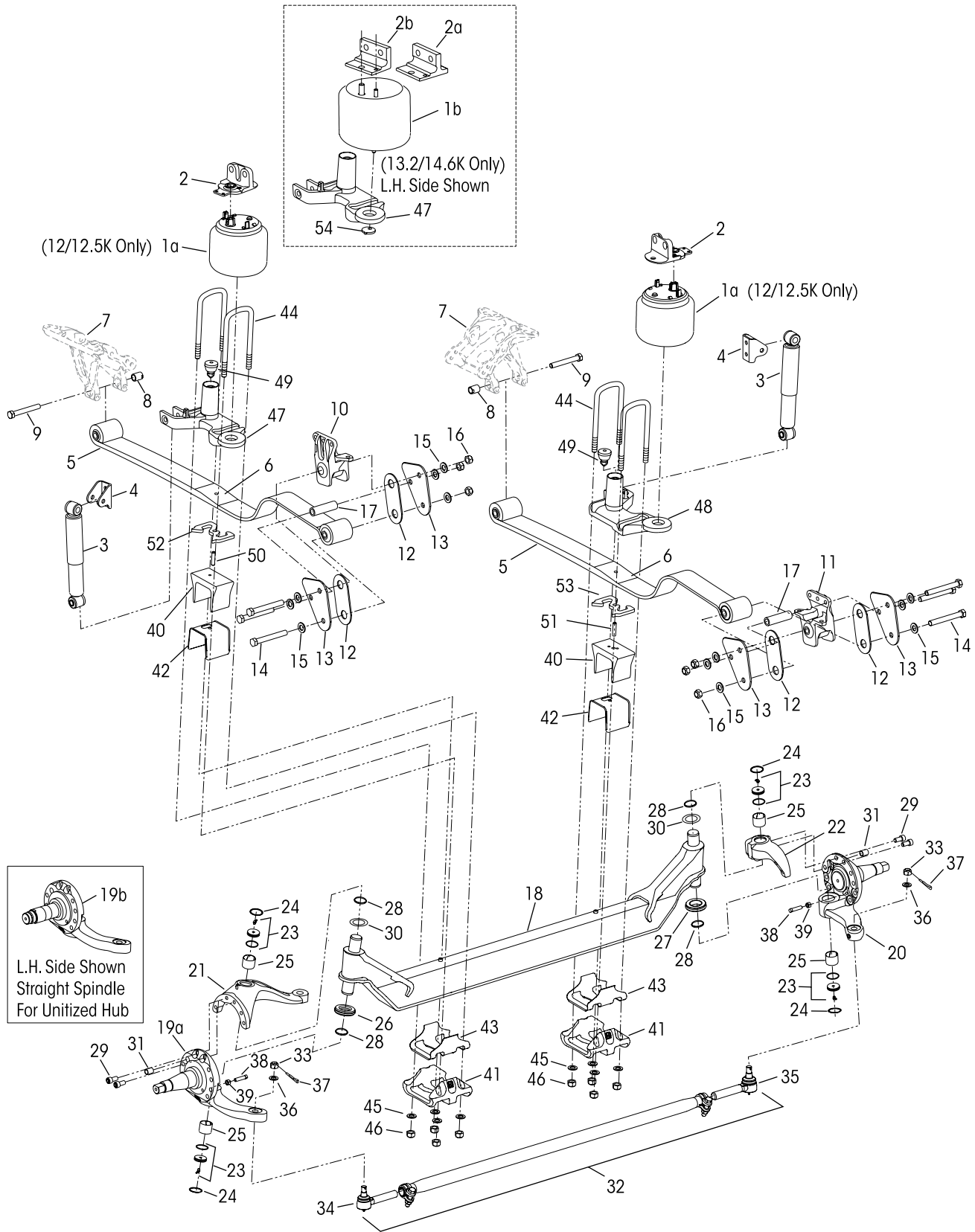




KEY NO.	PART NO.	DESCRIPTION	VEHICLE QTY.	KEY NO.	PART NO.	DESCRIPTION	VEHICLE QTY.
1		Air Spring	2		60961-628	<b>Kingpin Bushing and Bearing Service Kit,</b> Axle Set, Includes Kit Nos. 60961-629 & -630	
a	66349-002L	12K•12.5K			60961-629	<b>Left Hand Kingpin Bushing with Composite Thrust Bearing Service Kit,</b> Includes Key Nos. 22-27, 29 & Loctite	
b	60716-002L	13.2K•14.6K			60961-630	<b>Right Hand Kingpin Bushing with Roller Thrust Bearing Service Kit,</b> Includes Key Nos. 22-26, 28-29 & Loctite	
2		Air Spring Bracket	2	22	33117-000	Grease Zerk	2
	60757-000	12K•12.5K 266 Rail		23	68687-003	Grease Cap Assembly, Upper	2
	60976-000	12K•12.5K 300 Rail		24	68687-002	Grease Cap Assembly, Lower	2
a	60738-001	13.2K•14.6K 266 Rail		25	58909-001	Kingpin Bushing	4
b	60738-002	13.2K•14.6K 300 Rail			60961-631	<b>Thrust Bearing Service Kit, Axle Set,</b> Includes Kit Nos. 60961-632 & 60961-633	
3	64838-003L	Shock Absorber	2		60961-632	<b>Left Hand Composite Thrust Bearing Service Kit,</b> Includes Key Nos. 26-27, 29 & Loctite	
4	59423-008	Upper Shock Bracket	2		60961-633	<b>Right Hand Roller Thrust Bearing Service Kit,</b> Includes Key Nos. 26, 28-29 & Loctite	
5	53216-000	Leaf Spring Assembly with Bushings Includes Key No. 6	2	26	68731-000	Kingpin Seal	4
6		**Steel Galvanized Liner	2	27	59828-000	Left Hand Composite Thrust Bearing	1
7		*Front Spring Hanger	2	28	64256-000L	Right Hand Roller Thrust Bearing	1
8	64486-000	Inboard Spring Adapter	2	29	60236-001	5/8"-11 UNC Socket Head Cap Screw	4
9	58258-009	M20 x 2.5-6G 230 mm Hex Bolt	2	Not Shown	60937-000	Loctite® (Red) Compound Tube	1
		<b>Left Hand Rear Shackle Bracket Service Kit,</b> <b>One Side,</b> Includes Key Nos. 10, 12-16		30	64246-000	ABS Sensor Sleeve	2
	60961-840	266 Frame Rail		31		Tie Rod Assembly, Includes Key Nos. 32-34 <i>See Selection Guide on Page 8</i>	1
	60961-841	300 Frame Rail		32		**7/8" Castle Nut	2
		<b>Right Hand Rear Shackle Bracket Service Kit,</b> <b>One Side,</b> Includes Key Nos. 11-16				<b>Tie Rod End Service Kit, Axle Set,</b> Includes Left Hand and Right Hand Tie Rod End Service Kits, <i>See Selection Guide on Page 8</i>	
	60961-842	266 Frame Rail				<b>Left Hand Tie Rod End Service Kit,</b> Includes Key Nos. 33, 35-36, <i>See Selection Guide on Page 8</i>	
	60961-843	300 Frame Rail				<b>Right Hand Tie Rod End Service Kit,</b> Includes Key Nos. 34-36, <i>See Selection Guide on Page 8</i>	
10		Left Hand Rear Shackle Bracket with Bushing (Cast Part No. 64153-001)	1	33		Left Hand Tie Rod End, Includes Key No. 32, <i>See Selection Guide on Page 8</i>	1
	68548-001	266 Frame Rail		34		Right Hand Tie Rod End, Includes Key No. 32, <i>See Selection Guide on Page 8</i>	1
	68554-001	300 Frame Rail		35	22962-007	7/8" Flat Washer	2
11		Right Hand Rear Shackle Bracket with Bushing (Cast Part No. 64153-002)	1	36	17800-004	Tie Rod Nut Cotter Pin	2
	68548-002	266 Frame Rail		37	60238-001	1/2"-13 UNC Square Head Bolt	2
	68554-002	300 Frame Rail		38	60240-000	1/2"-13 UNC Hex Jam Nut	2
	60961-635	<b>Shackle Bracket Service Kit, Axle Set,</b> Includes Key Nos. 12-16				<b>U-bolt Clamp Group Service Kit, One Side,</b> Includes Key Nos. 39-41 12K•12.5K and 13.2K•14.6K 338 mm Ride Height 366 mm Ride Height	
12	64794-000	Shackle Plate	4	64106-023		338 mm Ride Height	
13	58258-029	M20 x 2.5-6G 160 mm Hex Bolt, <i>Replaces 58258-008</i>	6	64106-024		366 mm Ride Height	
14	58246-029	M20 Flat Washer, <i>Replaces 58246-009</i>	12	39		M20 x 2.5-6G U-bolt, 12K•12.5K and 13.2K•14.6K 338 mm Ride Height, Bolt Length 128.5 mm 366 mm Ride Height, Bolt Length 156.5 mm	4
15	58259-003	M20 x 2.5-6H Locknut, <i>Replaces 58259-001</i>	6		65663-005	338 mm Ride Height, Bolt Length 128.5 mm	
16	60631-002	Shackle Stop Spacer	2		65663-006	366 mm Ride Height, Bolt Length 156.5 mm	
	68957-0XX	<b>STEERTEK NXT Axle Assembly,</b> Includes Key Nos. 17-21, 27-29, 31, 35-36, <i>Contact Hendrickson Tech Services for Part Number</i>	1	40	58246-018	M20 Flat Washer, <i>Replaces 58246-009</i>	8
17		Axle & Kingpin Assembly, 70.9 KPI	1	41	65072-001	M20 x 2.5-6H Nylocknut	8
	68956-003M	12K•12.5K, 338/366 mm Ride Height, 4 1/4" Drop		42		Left Hand Top Pad Assembly	1
	68956-004M	12K•12.5K, 338 mm Ride Height, 5.36" Drop			69659-001	266 Frame Rail	
	68956-005M	13.2K•14.6K, 338/366 mm Ride Height, 4 1/4" Drop			69660-001	300 Frame Rail	
	68956-006M	13.2K•14.6K, 338 mm Ride Height, 5.36" Drop		43		Right Hand Top Pad Assembly	1
18		Left Hand Lower Steering Knuckle Assembly, Includes, Key Nos. 24-26, 37-38	1		69659-002	266 Frame Rail	
	58900-407	<190 Ackermann STD Hub, Includes Key No. 30			69660-002	300 Frame Rail	
	58900-409	>190 Ackermann STD Hub, Includes Key No. 30		44	64080-000	Rubber Axle Stop	2
	58900-417	<190 Ackermann Unitized Hub		45		Dowel Pin	2
	58900-419	>190 Ackermann Unitized Hub			57159-004	338 mm Ride Height, 66.8 mm	
19		Right Hand Lower Steering Knuckle Assembly, Includes, Key Nos. 24-26, 37-38	1		57159-008	366 mm Ride Height, 94.8 mm	
	58900-408	<190 Ackermann STD Hub, Includes Key No. 30		46	64318-028	Axle Spacer, 366 mm Ride Height, 28 mm	2
	58900-410	>190 Ackermann STD Hub, Includes Key No. 30		47	64166-000	Air Spring Adapter for Top Pad 13.2K•14.6K Only	2
Not Shown	58900-418	<190 Ackermann Unitized Hub					
Not Shown	58900-420	>190 Ackermann Unitized Hub					
20		Left Hand Upper Steering Knuckle Assembly, Includes, Key Nos. 22-23, 25-26	1				
	60903-411	338 mm Ride Height					
	60903-413	366 mm Ride Height					
21	60904-402	Right Hand Upper Steering Knuckle Assembly, Includes, Key Nos. 22-23, 25-26	1				



■ Vehicles built Post 2007 Engine, prior to July 2011





KEY NO.	PART NO.	DESCRIPTION	VEHICLE QTY.	KEY NO.	PART NO.	DESCRIPTION	VEHICLE QTY.
1		Air Spring	2	22	60904-002	Right Hand Upper Steering Knuckle Assembly Includes Key Nos. 25, 28	1
a	66349-002L	12K•12.5K, <i>Replaces 60750-002L</i>			60961-040	<b>Kingpin Bushing and Bearing Service Kit, Axle Set</b> , Includes Kit Nos. 60961-009 & 60961-039	
b	60716-002L	13.2K•14.6K			60961-009	<b>Left Hand Kingpin Bushing with Composite Thrust Bearing Service Kit</b> , Includes Key Nos. 23-26, 28-30 & Loctite	
2		Air Spring Bracket	2		60961-039	<b>Right Hand Kingpin Bushing with Roller Thrust Bearing Service Kit</b> , Includes Key Nos. 23-25, 27-30 & Loctite	
	60757-000	12K•12.5K 266 Rail		23	59156-000	Grease Cap Assembly	4
	60976-000	12K•12.5K 300 Rail		24	58937-000	Retaining Ring	4
a	60738-001	13.2K•14.6K 266 Rail		25	58909-000	Kingpin Bushing	4
b	60738-002	13.2K•14.6K 300 Rail			60961-043	<b>Thrust Bearing Service Kit, Axle Set</b> , Includes Kit Nos. 60961-041 & 60961-042	
3	64838-002L	Shock Absorber	2		60961-041	<b>Left Hand Composite Thrust Bearing Service Kit</b> , Includes Key Nos. 26, 28-30 & Loctite	
4	64241-001	Upper Shock Bracket	2		60961-042	<b>Right Hand Roller Thrust Bearing Service Kit</b> , Includes Key Nos. 27-30 & Loctite	
	60961-072	<b>Front Leaf Spring Assembly Service Kit, One Side</b> , Includes Key Nos. 5, 13		26	59808-000	Left Hand Composite Thrust Bearing	1
5	64772-000	Leaf Spring Assembly with Bushings Includes Key No. 6	2	27	64256-000L	Right Hand Roller Thrust Bearing	1
6		**Steel Galvanized Liner	2	28	58910-001	Kingpin Seal, <i>Replaces 58910-000</i>	4
7		*Front Spring Hanger	2	29	60236-001	5/8" Socket Head Cap Screw	4
8	64486-000	Inboard Spring Adapter, <i>Replaces 64162-000</i>	2	30	60259-001X	Kingpin Shim	As Req.
9	58258-009	M20 x 2.5-6G 230 mm Hex Bolt	2		60259-002	0.005" Thickness (Pack of 4) 0.047" Thickness	
		<b>Left Hand Rear Shackle Bracket Service Kit, One Side</b> , Includes Key Nos. 10, 12-17		Not Shown	60937-000	Loctite (Red) Compound Tube	1
	60961-683	266 Frame Rail		31	64246-000	ABS Sensor Sleeve	2
	60961-684	300 Frame Rail		32		Tie Rod Assembly, Includes Key Nos. 33-35 <i>See Selection Guide on Page 8</i>	1
		<b>Right Hand Rear Shackle Bracket Service Kit, One Side</b> , Includes Key Nos. 11-17		33		**7/8" Castle Nut	2
	60961-685	266 Frame Rail				<b>Tie Rod End Service Kit, Axle Set</b> , Includes Left Hand and Right Hand Tie Rod End Service Kits, <i>See Selection Guide on Page 8</i>	
	60961-686	300 Frame Rail				<b>Left Hand Tie Rod End Service Kit</b> , Includes Key Nos. 34, 36-37, <i>See Selection Guide on Page 8</i>	
10		Left Hand Rear Shackle Bracket with Bushing (Cast Part No. 64153-001)	1			<b>Right Hand Tie Rod End Service Kit</b> , Includes Key Nos. 35-37, <i>See Selection Guide on Page 8</i>	
	64175-001	266 Frame Rail		34		Left Hand Tie Rod End, Includes Key No. 33 <i>See Selection Guide on Page 8</i>	1
	64176-001	300 Frame Rail		35		Right Hand Tie Rod End, Includes Key No. 33 <i>See Selection Guide on Page 8</i>	1
11		Right Hand Rear Shackle Bracket with Bushing (Cast Part No. 64153-002)	1	36	22962-007	7/8" Flat Washer	2
	64175-002	266 Frame Rail		37	17800-004	Tie Rod Nut Cotter Pin	2
	64176-002	300 Frame Rail		38	60238-001	1/2"-13 UNC Square Head Bolt	2
	60961-034	<b>Shackle Bracket Service Kit, Axle Set</b> , Includes Key Nos. 12-17		39	60240-000	1/2"-13 UNC Hex Jam Nut	2
12	64159-000	Thrust Washer	4	40	59952-017	Top Axle Wrap	2
13	64794-000	Shackle Plate	4	41	64722-003	Bottom Axle Wrap	2
14	58258-029	M20 x 2.5-6G 160 mm Hex Bolt, <i>Replaces 58258-008</i>	6			<b>U-bolt Clamp Group Service Kit, One Side</b> , Includes Key Nos. 42-46	
15	58246-029	M20 Flat Washer, <i>Replaces 58246-009</i>	12		60961-185	12K•12.5K and 13.2K•14.6K 366 mm Ride Height, 4 1/4" Drop	
16	58259-003	M20 x 2.5-6H Locknut, <i>Replaces 58259-001</i>	6		60961-186	12K•12.5K, 338 mm Ride Height, 5.36" Drop	
17	60631-000	Shackle Stop Spacer	2		60961-187	12K•12.5K, 338 mm Ride Height, 4 1/4" Drop	
	60952-0XX	<b>STEERTEK Axle Assembly</b> , Includes Key Nos. 18-24, 26-27, 29-30, 33-43. <i>Contact Hendrickson Tech Services for Part Number</i>	1		60961-015	<b>Top/Bottom Axle Wrap Liner Service Kit, One Side</b> , Includes Key Nos. 42-43	
18		Axle & Kingpin Assembly, 70.9 KPI	1	42	60508-000	Top Axle Wrap Liner	2
	64905-001	• 12K•12.5K 338/366 mm Ride Height, 4 1/4" Drop		43	59845-000S	Bottom Axle Wrap Liner	2
	64905-003	338 mm Ride Height, 5.36" Drop		44		M20 x 2.5 - 6G U-bolt • Vehicles built with <b>Pre'07</b> Engine, <i>see Page 6</i>	4
	64905-005	• 13.2K•14.6K 338/366 mm Ride Height, 4 1/4" Drop			65663-002	12K•12.5K and 13.2K•14.6K 366 mm Ride Height, Bolt Length 275 mm	
	64905-007	338 mm Ride Height, 5.36" Drop			65663-003	12K•12.5K 338 mm Ride Height, Bolt Length 225 mm	
19		Left Hand Lower Steering Knuckle Assembly Includes Key Nos. 25, 28	1		65663-004	13.2K•14.6K 338 mm Ride Height, Bolt Length 255 mm	
a	58900-007	<190 Ackermann STD Hub, Includes Key No. 31		45	58246-018	M20 Flat Washer, <i>Replaces 58246-009</i>	8
a	58900-009	>190 Ackermann STD Hub, Includes Key No. 31					
b	58900-017	<190 Ackermann Unitized Hub					
b	58900-019	>190 Ackermann Unitized Hub					
20		Right Hand Lower Steering Knuckle Assembly Includes Key Nos. 25, 28	1				
	58900-008	<190 Ackermann STD Hub, Includes Key No. 31					
	58900-010	>190 Ackermann STD Hub, Includes Key No. 31					
Not Shown	58900-018	<190 Ackermann Unitized Hub					
Not Shown	58900-020	>190 Ackermann Unitized Hub					
21		Left Hand Upper Steering Knuckle Assembly Includes Key Nos. 25, 28	1				
	60903-011	338 mm Ride Height					
	60903-013	366 mm Ride Height					

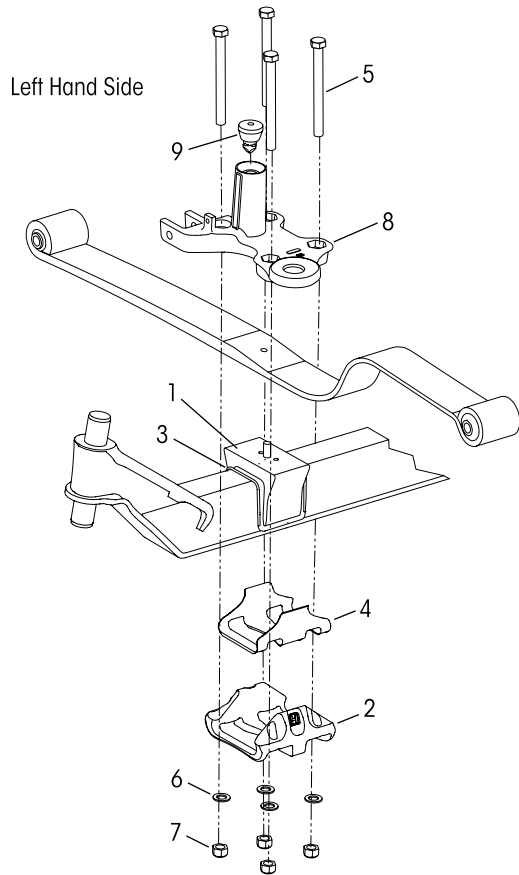


KEY NO.	PART NO.	DESCRIPTION	VEHICLE QTY.
46	65072-001	M20 x 2.5-6H Locknut	8
47		Left Hand Top Pad	1
	67266-001	• Vehicles built with <b>Pre'07</b> Engine, see Page 6 266 Frame Rail, Replaces 64517-001, 64172-001L, 64725-001L, 65493-001L	
	67300-001	300 Frame Rail, Replaces 64173-001L, 64727-001L, 65605-001L	
48		Right Hand Top Pad	1
	67266-002	• Vehicles built with <b>Pre'07</b> Engine, see Page 6 266 Frame Rail, Replaces 64517-002, 64172-002L, 64725-002L, 65493-002L	
	67300-002	300 Frame Rail, Replaces 64161-002, 64173-002L, 64727-002L, 65605-002L	
49	64080-000	Rubber Axle Stop	2
50		Left Hand Dowel Pin	1
		• Vehicles equipped with <b>dual</b> HCVs, built after 03/05	
	57159-004	366 mm Ride Height, 66.8 mm	
		• Vehicles equipped with a <b>single</b> HCV built prior to 03/05	
	57159-007	338 mm Ride Height, 79.5 mm	
	57159-012	338 mm Ride Height, 85.9 mm	
	57159-009	366 mm Ride Height, 107.2 mm	
	57159-013	366 mm Ride Height, 115 mm	

KEY NO.	PART NO.	DESCRIPTION	VEHICLE QTY.
51		Right Hand Dowel Pin	1
		• Vehicles equipped with <b>dual</b> HCVs built after 03/05	
	57159-004	366 mm Ride Height, 66.8 mm	
		• Vehicles equipped with a <b>single</b> HCV built prior to 03/05	
	57159-004	338 mm Ride Height, 66.8 mm	
	57159-008	366 mm Ride Height, 94.8 mm	
52		Left Hand Front Axle Spacer	1
		• Vehicles equipped with <b>dual</b> HCVs built after 03/05	
	64318-028	366 mm Ride Height, 28 mm	
		• Vehicles equipped with a <b>single</b> HCV built prior to 03/05	
	64318-012	338 mm Ride Height, 12 mm	
	64318-020	338 mm Ride Height, 20 mm	
	64318-040	366 mm Ride Height, 40 mm	
	64318-048	366 mm Ride Height, 48 mm	
53		Right Hand Front Axle Spacer	1
		• Vehicles equipped with <b>dual</b> HCVs built after 03/05	
	64318-028	366 mm Ride Height, 28 mm	
54	64166-000	Air Spring Adapter for Top Pad 13.2K/14.6K Only	2

**■ Vehicles built Pre'07 Engine**

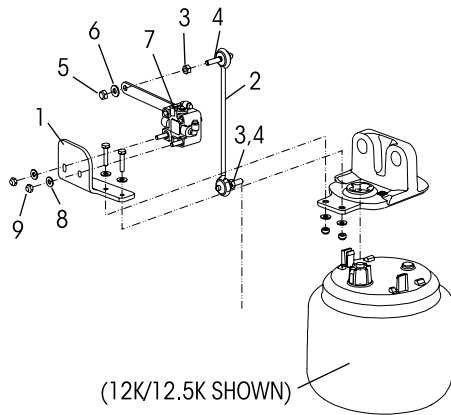
**Top Pad with Straight Hex Bolt**



KEY NO.	PART NO.	DESCRIPTION	VEHICLE QTY.
1	59952-017	Top Axle Wrap	2
2	64722-003	Bottom Axle Wrap	2
		<b>Straight Bolt Clamp Group Service Kit, One Side,</b> Includes Key Nos. 3-7	
		• Vehicles equipped with <b>dual</b> HCVs, Built after 03/05	
		12K•12.5K and 13.2K/14.6K	
	60961-035	338 mm Ride Height	
	60961-036	366 mm Ride Height	
		• Vehicles equipped with a <b>single</b> HCV, Built prior to 03/05	
	60961-035	12K•12.5K, 338 mm Ride Height	
	60961-036	12K•12.5K, 366 mm Ride Height	
	60961-037	13.2K•14.6K, 338 mm Ride Height	
	60961-038	13.2K•14.6K, 366 mm Ride Height	
3	60508-000	Top Axle Wrap Liner	2
4	59845-000S	Bottom Axle Wrap Liner	2
5		M20 x 2.5-6G Hex Bolt	8
		• Vehicles equipped with <b>dual</b> HCVs, Built after 03/05	
		12K•12.5K and 13.2K•14.6K	
	58258-007	338 mm Ride Height, Bolt Length 220 mm	
	58258-011	366 mm Ride Height, Bolt Length 250 mm	
		• Vehicles equipped with a <b>single</b> HCV, Built prior to 03/05	
		12K•12.5K	
	58258-009	338 mm Ride Height, Bolt Length 230 mm	
	58258-010	366 mm Ride Height, Bolt Length 260 mm	
		13.2K•14.6K	
	58258-007	338 mm Ride Height, Bolt Length 220 mm	
	58258-011	366 mm Ride Height, Bolt Length 250 mm	
6	58246-018	M20 Flat Washer, Replaces 58246-009	8
7	65072-001	M20 x 2-6H Locknut	8
8		Top Pad Assembly, ( <b>Pre '07</b> Engine Top Pads are obsolete. If top pad replacement is required, replace with current top pad and U-bolts, see Key Nos. 44,47,48)	2
9	64080-000	Rubber Axle Stop	2



■ Single Height Control Valve for Vehicles built prior to 03/05



KEY NO.	PART NO.	DESCRIPTION	VEHICLE QTY.
		Single HCV, Link Mount & Linkage Assembly, Includes Key Nos. 1-9	1
	64089-000L	12K•12.5K	
	64094-000L	13.2K•14.6K	
1		Single Height Control Valve Bracket	1
	64480-000	12K•12.5K	
	64481-000	13.2K•14.6K	
	59427-006	Single Height Control Valve & Linkage Assembly, Includes Key Nos. 2-9	1
2	59428-004	Height Control Valve Linkage	1
3	64298-000	M8 x 1¼-6H Hexnut	2
4	59169-002	M8 Link Stud	2
5	64297-000	M8 x 1¼-6H Locknut	1
6	58246-034	M8 Flat Washer, <i>Replaces 58246-012</i>	1
7	59935-003	Height Control Valve	1
8	22962-052	¼" Flat Washer, <i>Replaces 22962-028</i>	2
9	77581-000	M6 Locknut, <i>Replaces 49983-000</i>	2

Dual Height Control Valve Conversion Service Kits are available to convert a single height control valve to dual height control valves configuration.

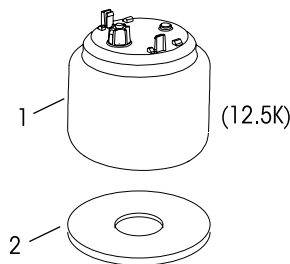
Dual Height Control Valve and Linkage Service Kit

60961-101	12K•12.5K Capacity
60961-102	13.2K•14.6K Capacity

■ Air Spring with Support Plate for Vehicles built between 03/05 and 06/07 equipped with dual height control valves

Air Spring with Support Plate Service Kit No. 60961-182

Vehicles built between 03/05 and 06/07, equipped with dual height control valves **MUST USE** Air Spring with Support Plate Service Kit No. 60961-182



KEY NO.	PART NO.	DESCRIPTION	VEHICLE QTY.
1	67304-002	Air Spring (12.5K)	1
2	67149-000	Support Plate	1



**■ Tie Rod Selection Guide**

		Axle Model	Ackermann	Tie Rod Assembly Part Number	Tie Rod End Part Number	Tie Rod End Service Kit No.		
<b>12K / 12.5K</b>	<b>Straight Tie Rods 1 1/8" Threads</b>	<b>Vehicles built after January 2014</b>						
		STEEERTEK NXT	>190	76877-002	70995-001 (LH) 70995-002 (RH)	60961-734 (Axle Set)		
			<190	76877-005		60961-736 (LH) 60961-741 (RH)		
		<b>*Vehicles built prior to January 2014</b>						<b>Tie Rod Assembly Replacement Part No.</b>
		STEEERTEK NXT STEEERTEK	>190	60239-002	* Tie rod end kits are no longer available for these assembly numbers, requires complete tie rod assembly replacement.			76877-002
<190	60239-005		76877-005					

<b>13.5K / 14.6K</b>	<b>Straight Tie Rods 1 1/4" Threads</b>	<b>Vehicles built after January 2014</b>					
		STEEERTEK NXT	>190	76879-001	76876-001 (LH) 76876-002 (RH)	60961-735 (Axle Set)	
			<190	76879-002		60961-742 (LH) 60961-743 (RH)	
		<b>Vehicles built up to January 2014</b>					
		STEEERTEK NXT STEEERTEK	>190	64006-001	64002-001 (LH) 64002-002 (RH)	60961-011 (Axle Set)	
<190	64006-002		60961-027 (LH) 60961-028 (RH)				
<b>NOTE:</b> Hendrickson supplies different tie rod assemblies. Locate the tie rod assembly part number on the tie rod tube to help determine what tie rod end kit or complete tie rod assembly replacement to use for service.							

**NOTES:** \* Not supplied by Hendrickson, used for reference only. Hendrickson is not responsible for components supplied by the vehicle manufacturer. For assistance with maintenance and rebuild instructions on these components see vehicle manufacturer.

\*\* Item included in kit/assembly only, part not sold separately.

Hendrickson **AIRTEK Ride Height Gauges for Volvo Vehicles** can be obtained on-line at [www.hendrickson-intl.com/liiform](http://www.hendrickson-intl.com/liiform)

- Height Gauge (**After July 2011**) for 12K•12.5K•13.2K•14.6K Capacity – Literature No. 45745-359
- Height Gauges (**Prior to July 2011**) for 12K•12.5K Capacity – Literature No. 45745-170 and 13.2K•14.6K Capacity – Literature No. 45745-195

This is a general parts list to provide directional information. Components may vary by model. Questions in regards to parts, contact Hendrickson Truck Parts at 1.866.755.5968 (Toll-free U.S. and Canada), 630.910.2800 (Outside U.S. and Canada) or email: [truckparts@hendrickson-intl.com](mailto:truckparts@hendrickson-intl.com).  
Actual product performance may vary depending upon vehicle configuration, operation, service and other factors.  
All applications must comply with applicable Hendrickson specifications and must be approved by the respective vehicle manufacturer with the vehicle in its original, as-built configuration.  
Contact Hendrickson for additional details regarding specifications, applications, capacities, and operation, service and maintenance instructions.

**Call Hendrickson at 1.866.755.5968 (toll-free) or 1.630.910.2800 for additional information.**



[www.hendrickson-intl.com](http://www.hendrickson-intl.com)

**TRUCK COMMERCIAL VEHICLE SYSTEMS**  
800 South Frontage Road  
Woodridge, IL 60517-4904 USA  
1.866.755.5968 (Toll-free U.S. and Canada)  
1.630.910.2800 (Outside U.S. and Canada)  
Fax 1.630.910.2899

SP-180 Rev I 05-21

© 2005-2021 Hendrickson USA, L.L.C. All Rights Reserved. All trademarks shown are owned by Hendrickson USA, L.L.C., or one of the affiliates, in one or more countries.

Information contained in this literature was accurate at the time of publication. Product changes may have been made after the copyright date that are not reflected.

Printed in United States of America