

H PARTS LIST

STEERTEK™ NXT Front Steer Axle for Peterbilt Truck Vehicles

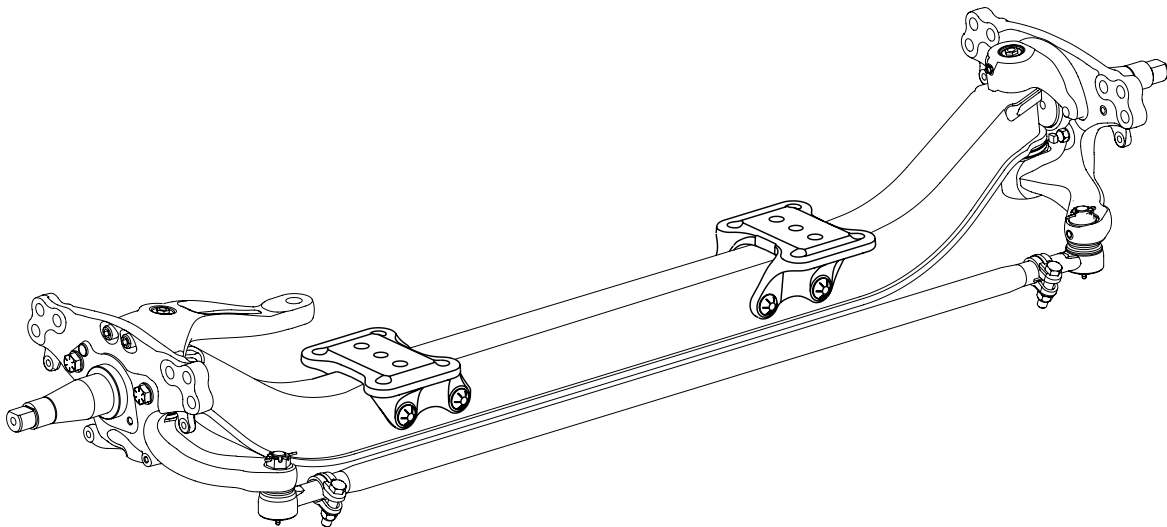
LIT NO: SP-346

DATE: January 2026

REVISION: B

CONTENTS

DESCRIPTION	PAGE
Parts Lists	
■ 8K • 10K • 12K • 12.5K • 13.2K • 14.6K lb Capacity Equipped with Standard Brake Knuckle (SBK) or Integrated Brake Knuckle (IBK) Vehicles built after June 2025	2
Vehicles built prior to June, 2025	8
■ 8K Capacity Equipped with Standard Brake Knuckle (SBK) . . .	14
■ Special Tools	16



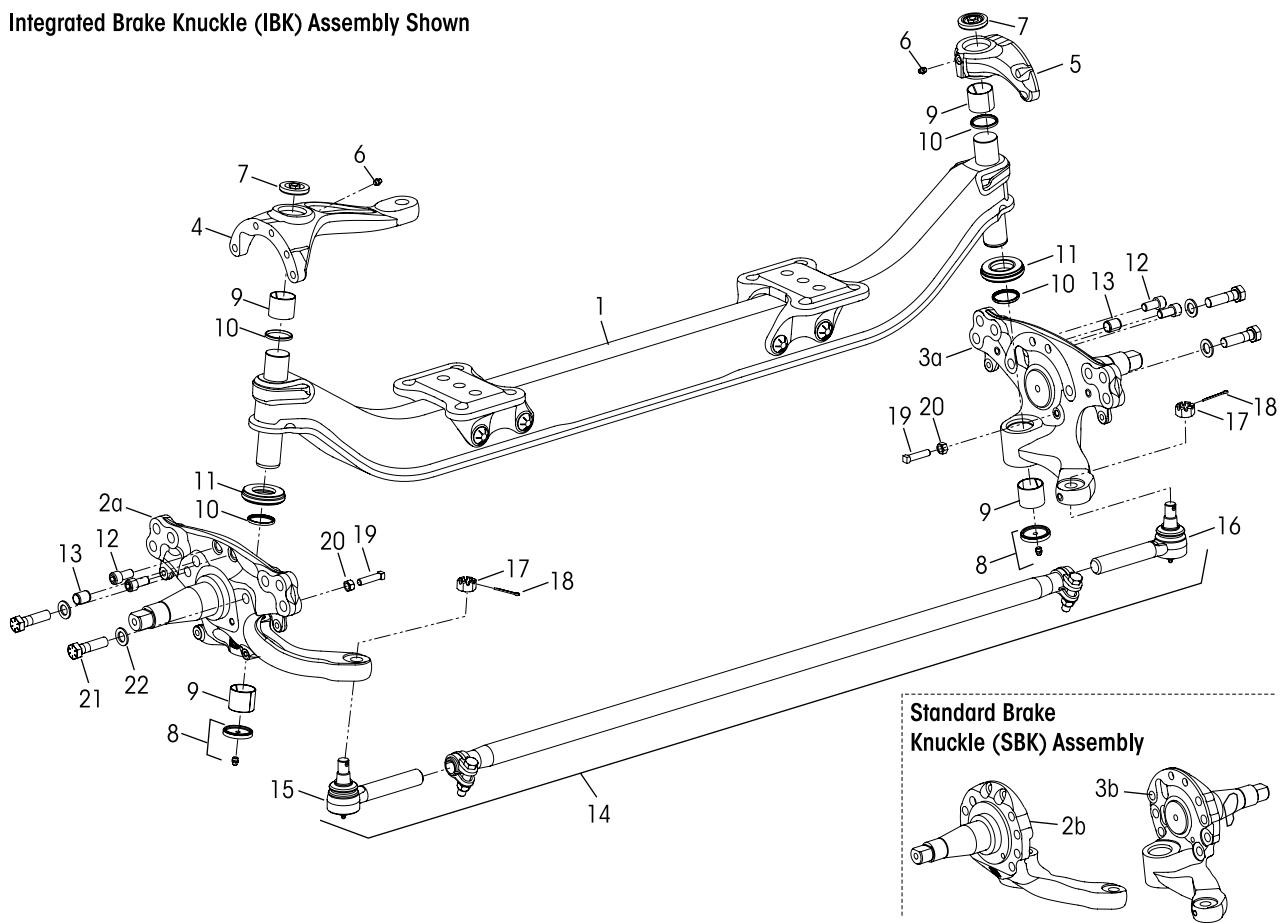


8K • 10K • 12K • 12.5K • 13K • 13.2K • 14K • 14.6K lb Capacity

Vehicles built after June 2025

Equipped with Standard Brake Knuckle (SBK) or Integrated Brake Knuckle (IBK)

Integrated Brake Knuckle (IBK) Assembly Shown





STEERTEK™ NXT Axle for Peterbilt Truck Vehicles

KEY NO.	PART NO.	DESCRIPTION	VEHICLE QTY.	KEY NO.	PART NO.	DESCRIPTION	VEHICLE QTY.
	94985-XXX	STEERTEK NXT Axle Assembly , IBK, Includes Key Nos. 1-22, <i>See Selection Guide on Page 6</i> SBK, Includes Key Nos. 1-20, <i>See Selection Guide on Page 4</i>	1	6	33117-000	Grease Zerk	2
1	94984-XXX	Axle & Kingpin Assembly IBK, <i>See Selection Guide on Page 6</i> SBK, <i>See Selection Guide on Page 4</i>	1	7	68687-003	Upper Grease Cap Assembly	2
2		LH Lower Steering Knuckle Assembly, Includes Key Nos. 8-10, 13, 19-20		8	68687-002	Lower Grease Cap Assembly	2
a	80029-XXX	IBK, <i>See Selection Guide on Page 6</i> SBK, <i>See Selection Guide on Page 4</i>		9	58909-001	Kingpin Bushing	4
b	93945-XXX	8K-13.2K			60961-633	Roller Thrust Bearing Service Kit, One Side Includes Key Nos. 10-12 & Loctite	
c	58900-XXX	14K-14.6K		10	68731-000	Kingpin Seal	4
3		RH Lower Steering Knuckle Assembly, Includes Key Nos. 8-10, 13, 19-20		11	64256-000	Roller Thrust Bearing	2
a	80029-XXX	IBK, <i>See Selection Guide on Page 6</i> SBK, <i>See Selection Guide on Page 4</i>		12	60236-001	5/8"-11 UNC Socket Head Cap Screw	4
b	93945-XXX	8K-13.2K		Not Shown	60937-000	Loctite® (Red) Compound Tube	1
c	58900-XXX	14K-14.6K		13	64246-000	ABS Sensor Sleeve	2
4	60903-XXX	LH Upper Steering Knuckle Assembly, Includes Key Nos. 6-7, 9-10 IBK, <i>See Selection Guide on Page 6</i> SBK, <i>See Selection Guide on Page 4</i>	1	14	76877-XXX	Tie Rod Assembly, Includes Key Nos. 15-17 <i>See Selection Guide on Page 4 and 6</i>	1
5	60904-402	RH Upper Steering Knuckle Assembly, Includes Key Nos. 6-7, 9-10	1			Tie Rod End Service Kits	
	60961-630	Kingpin Bushing and Bearing Service Kit, One Side , Includes Key Nos. 6-12 & Loctite			60961-734	Axle Set , Includes Left Hand & Right Hand Kits	
					60961-736	Left Hand , Includes Key Nos. 15, 17-18	
					60961-741	Right Hand , Includes Key Nos. 16-18	
						Tie Rod End, Includes Key No. 17	
				15	70995-001	Left Hand	1
				16	70995-002	Right Hand	1
				17		*7/8" Castle Nut	2
				18	17800-004	Tie Rod Nut Cotter Pin	2
					60961-069	Stop Bolt Service Kit, One Side , Includes Key Nos. 19-20	
				19	60238-001	1/2"-13 UNC Square Head Bolt	2
				20	60240-000	1/2"-13 UNC Hex Jam Nut	2
				21	58917-023	3/4"-10 x 2 3/4" Hex Head Cap Screw (IBK Only)	4
				22	22962-001	3/4" Flat Washer (IBK Only)	4

NOTES: * Item included in kit/assembly only, part not sold separately.



■ STEERTEK NXT Axle Selection Guide

Vehicles built after June 2025

Standard Brake Knuckle (SBK) Axle with 3/4" Mounting Fasteners

Page 2			Part Number						
Capacity (lb)	Wheel Base (in)	KPI/ *Steering Arm Type (in)	STEERTEK NXT Assembly	Axle & Kingpin Assembly Key No. 1	Lower Steering Knuckle Assembly		Upper Steering Knuckle Assembly	Tie Rod Assembly	
					Left Hand Key No. 2b/2c	Right Hand Key No. 3b/3c	Left Hand Key No. 4	Key No. 14	
8K / 10K	<190	70.9/ LSA	94985-113	94984-001	93945-505	93945-506	60903-475	76877-005	
	215		94985-114		93945-507	93945-508		76877-002	
	>240		94985-115		93945-509	93945-510		76877-003	
	<190	70.9/ RSA	94985-116		93945-505	93945-506	60903-481	76877-005	
	215		94985-117		93945-507	93945-508		76877-002	
	>240		94985-118		93945-509	93945-510		76877-003	
	<190	69.0/ LSA	94985-119		94984-002	93945-505	93945-506	60903-475	76877-004
	215		94985-120			93945-507	93945-508		76877-005
	>240		94985-121			93945-509	93945-510		76877-001
	<190	69.0/ RSA	94985-122	93945-505		93945-506	60903-481	76877-004	
	215		94985-123	93945-507		93945-508		76877-005	
	>240		94985-124	93945-509		93945-510		76877-001	
12K	<190	70.9/ LSA	94985-237	94984-003		93945-505	93945-506	60903-475	76877-005
	215		94985-238			93945-507	93945-508		76877-002
	>240		94985-239			93945-509	93945-510		76877-003
	<190	70.9/ RSA	94985-240		93945-505	93945-506	60903-481	76877-005	
	215		94985-241		93945-507	93945-508		76877-002	
	>240		94985-242		93945-509	93945-510		76877-003	
	<190	69.0/ LSA	94985-243		94984-004	93945-505	93945-506	60903-475	76877-004
	215		94985-244			93945-507	93945-508		76877-005
	>240		94985-245			93945-509	93945-510		76877-001
	<190	69.0/ RSA	94985-246	93945-505		93945-506	60903-481	76877-004	
	215		94985-247	93945-507		93945-508		76877-005	
	>240		94985-248	93945-509		93945-510		76877-001	
12.5K	<190	70.9/ LSA	94985-213	94984-003		93945-505	93945-506	60903-475	76877-005
	215		94985-214			93945-507	93945-508		76877-002
	>240		94985-215			93945-509	93945-510		76877-003
	<190	70.9/ RSA	94985-216		93945-505	93945-506	60903-481	76877-005	
	215		94985-217		93945-507	93945-508		76877-002	
	>240		94985-218		93945-509	93945-510		76877-003	
	<190	69.0/ LSA	94985-219		94984-004	93945-505	93945-506	60903-475	76877-004
	215		94985-220			93945-507	93945-508		76877-005
	>240		94985-221			93945-509	93945-510		76877-001
	<190	69.0/ RSA	94985-222	93945-505		93945-506	60903-481	76877-004	
	215		94985-223	93945-507		93945-508		76877-005	
	>240		94985-224	93945-509		93945-510		76877-001	

Continued on next page



■ STEERTEK NXT Axle Selection Guide

Vehicles built after June 2025

Standard Brake Knuckle (SBK) Axle with 3/4" Mounting Fasteners

Page 2			Part Number					
Capacity (lb)	Wheel Base (in)	KPI/ *Steering Arm Type (in)	STEERTEK NXT Assembly	Axle & Kingpin Assembly Key No. 1	Lower Steering Knuckle Assembly		Upper Steering Knuckle Assembly	Tie Rod Assembly Key No. 14
					Left Hand Key No. 2b/2c	Right Hand Key No. 3b/3c	Left Hand Key No. 4	
13K / 13.2K	<190	70.9/ LSA	94985-301	94984-005	93945-505	93945-506	60903-475	76877-005
	215		94985-302		93945-507	93945-508		76877-002
	>240		94985-303		93945-509	93945-510		76877-003
	<190	70.9/ RSA	94985-304		93945-505	93945-506	60903-481	76877-005
	215		94985-305		93945-507	93945-508		76877-002
	>240		94985-306		93945-509	93945-510		76877-003
	<190	69.0/ LSA	94985-307	94984-006	93945-505	93945-506	60903-475	76877-004
	215		94985-308		93945-507	93945-508		76877-005
	>240		94985-309		93945-509	93945-510		76877-001
	<190	69.0/ RSA	94985-310		93945-505	93945-506	60903-481	76877-004
	215		94985-311		93945-507	93945-508		76877-005
	>240		94985-312		93945-509	93945-510		76877-001
14K / 14.6K	<190	70.9/ LSA	94985-401	94984-101M	58900-505	58900-506	60903-475	76879-001
	215		94985-402		58900-507	58900-508		76879-002
	>240		94985-403		58900-509	58900-510		76879-003
	<190	70.9/ RSA	94985-404		58900-505	58900-506	60903-481	76879-001
	215		94985-405		58900-507	58900-508		76879-002
	>240		94985-406		58900-509	58900-510		76879-003
	<190	69.0/ LSA	94985-407	94984-102M	58900-505	58900-506	60903-475	76879-001
	215		94985-408		58900-507	58900-508		
	>240		94985-409		58900-509	58900-510		
	<190	69.0/ RSA	94985-410		58900-505	58900-506	60903-481	
	215		94985-411		58900-507	58900-508		
	>240		94985-412		58900-509	58900-510		

NOTE: * LSA stands for Lower Steering Arm and RSA stands for Raised Steering Arm configuration.



■ STEERTEK NXT Axle Selection Guide

Vehicles built after June 2025

Integrated Brake Knuckle (IBK) Axle with 3/4" Mounting Fasteners

Page 2			Part Number					
Capacity (lb)	Wheel Base (in)	KPI/ *Steering Arm Type (in)	STEERTEK NXT Assembly	Axle & Kingpin Assembly Key No. 1	Lower Steering Knuckle Assembly		Upper Steering Knuckle Assembly	Tie Rod Assembly
					Left Hand Key No. 2a	Right Hand Key No. 3a	Left Hand Key No. 4	Key No. 14
10K	<190	70.9/ LSA	94985-601	94984-001	80029-105	80029-106	60903-475	76877-005
	215		94985-602		80029-107	80029-108		76877-002
	>240		94985-603		80029-109	80029-110		76877-003
	<190	70.9/ RSA	94985-604		80029-105	80029-106	60903-481	76877-005
	215		94985-605		80029-107	80029-108		76877-002
	>240		94985-606		80029-109	80029-110		76877-003
	<190	69.0/ LSA	94985-607	94984-002	80029-105	80029-106	60903-475	76877-004
	215		94985-608		80029-107	80029-108		76877-005
	>240		94985-609		80029-109	80029-110		76877-001
	<190	69.0/ RSA	94985-610		80029-105	80029-106	60903-481	76877-004
	215		94985-611		80029-107	80029-108		76877-005
	>240		94985-612		80029-109	80029-110		76877-001
12K	<190	70.9/ LSA	94985-713	94984-003	80029-105	80029-106	60903-475	76877-005
	215		94985-714		80029-107	80029-108		76877-002
	>240		94985-715		80029-109	80029-110		76877-003
	<190	70.9/ RSA	94985-716		80029-105	80029-106	60903-481	76877-005
	215		94985-717		80029-107	80029-108		76877-002
	>240		94985-718		80029-109	80029-110		76877-003
	<190	69.0/ LSA	94985-719	94984-004	80029-105	80029-106	60903-475	76877-004
	215		94985-720		80029-107	80029-108		76877-005
	>240		94985-721		80029-109	80029-110		76877-001
	<190	69.0/ RSA	94985-722		80029-105	80029-106	60903-481	76877-004
	215		94985-723		80029-107	80029-108		76877-005
	>240		94985-724		80029-109	80029-110		76877-001
12.5K	<190	70.9/ LSA	94985-701	94984-003	80029-105	80029-106	60903-475	76877-005
	215		94985-702		80029-107	80029-108		76877-002
	>240		94985-703		80029-109	80029-110		76877-003
	<190	70.9/ RSA	94985-704		80029-105	80029-106	60903-481	76877-005
	215		94985-705		80029-107	80029-108		76877-002
	>240		94985-706		80029-109	80029-110		76877-003
	<190	69.0/ LSA	94985-707	94984-004	80029-105	80029-106	60903-475	76877-004
	215		94985-708		80029-107	80029-108		76877-005
	>240		94985-709		80029-109	80029-110		76877-001
	<190	69.0/ RSA	94985-710		80029-105	80029-106	60903-481	76877-004
	215		94985-711		80029-107	80029-108		76877-005
	>240		94985-712		80029-109	80029-110		76877-001

Continued on next page



■ STEERTEK NXT Axle Selection Guide

Vehicles built after June 2025

Integrated Brake Knuckle (IBK) Axle with 3/4" Mounting Fasteners

Page 2			Part Number					
Capacity (lb)	Wheel Base (in)	KPI/ *Steering Arm Type (in)	STEERTEK NXT Assembly	Axle & Kingpin Assembly Key No. 1	Lower Steering Knuckle Assembly		Upper Steering Knuckle Assembly	Tie Rod Assembly
					Left Hand Key No. 2a	Right Hand Key No. 3a	Left Hand Key No. 4	Key No. 14
13.2K	<190	70.9/ LSA	94985-801	94984-005	80029-105	80029-106	60903-475	76877-005
	215		94985-802		80029-107	80029-108		76877-002
	>240		94985-803		80029-109	80029-110		76877-003
	<190	70.9/ RSA	94985-804		80029-105	80029-106	60903-481	76877-005
	215		94985-805		80029-107	80029-108		76877-002
	>240		94985-806		80029-109	80029-110		76877-003
	<190	69.0/ LSA	94985-807	94984-006	80029-105	80029-106	60903-475	76877-004
	215		94985-808		80029-107	80029-108		76877-005
	>240		94985-809		80029-109	80029-110		76877-001
	<190	69.0/ RSA	94985-810		80029-105	80029-106	60903-481	76877-004
	215		94985-811		80029-107	80029-108		76877-005
	>240		94985-812		80029-109	80029-110		76877-001
14.6K	<190	70.9/ LSA	94985-901	94984-101M	80029-105	80029-106	60903-475	76879-001
	215		94985-902		80029-107	80029-108		76879-002
	>240		94985-903		80029-109	80029-110		76879-003
	<190	70.9/ RSA	94985-904		80029-105	80029-106	60903-481	76879-001
	215		94985-905		80029-107	80029-108		76879-002
	>240		94985-906		80029-109	80029-110		76879-003
	<190	69.0/ LSA	94985-907	94984-102M	80029-105	80029-106	60903-475	76879-001
	215		94985-908		80029-107	80029-108		
	>240		94985-909		80029-109	80029-110		
	<190	69.0/ RSA	94985-910		80029-105	80029-106	60903-481	
	215		94985-911		80029-107	80029-108		
	>240		94985-912		80029-109	80029-110		

NOTE: * LSA stands for Lower Steering Arm and RSA stands for Raised Steering Arm configuration.

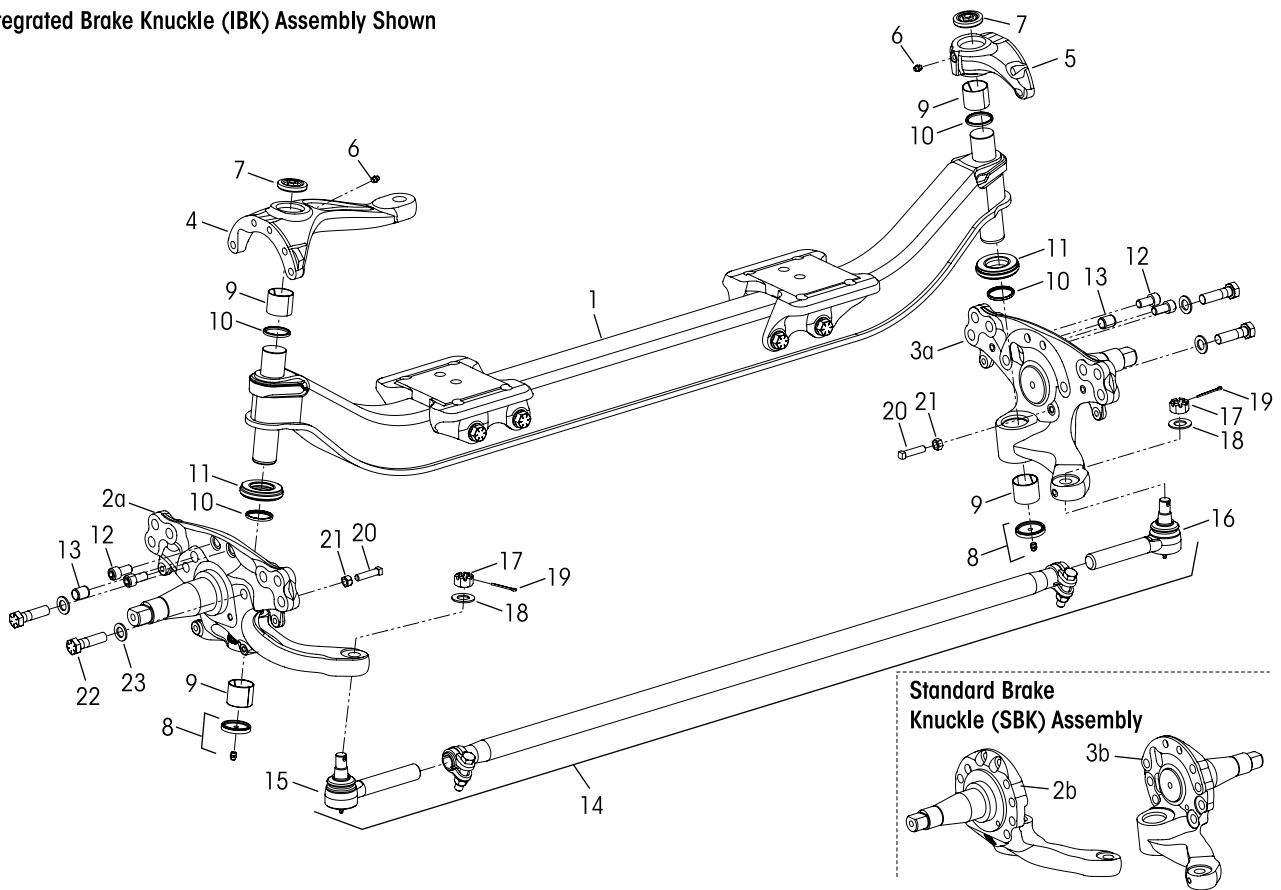


10K•12K•12.5K•13.2K•14.6K Capacity

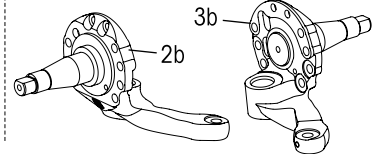
Vehicles built prior to June, 2025

Equipped with Integrated Brake Knuckle (IBK) or Standard Brake Knuckle (SBK)

Integrated Brake Knuckle (IBK) Assembly Shown



Standard Brake Knuckle (SBK) Assembly





STEERTEK™ NXT Axle for Peterbilt Truck Vehicles

KEY NO.	PART NO.	DESCRIPTION	VEHICLE QTY.	KEY NO.	PART NO.	DESCRIPTION	VEHICLE QTY.
	91925-XXX	STEERTEK NXT Axle Assembly, IBK, Includes Key Nos. 1-23, <i>See Selection Guide on Page 12</i> SBK, Includes Key Nos. 1-21, <i>See Selection Guide on Page 10</i>	1	10	68731-000	Kingpin Seal	4
1	91924-XXX	Axle & Kingpin Assembly IBK, <i>See Selection Guide on Page 12</i> SBK, <i>See Selection Guide on Page 10</i>	1	11	64256-000	Roller Thrust Bearing	2
2		LH Lower Steering Knuckle Assembly, Includes Key Nos. 8-10, 13, 20-21		12	60236-001	5/8"-11 UNC Socket Head Cap Screw	4
a	80029-XXX	IBK, <i>See Selection Guide on Page 12</i>		Not Shown	60937-000	Loctite® (Red) Compound Tube	1
b	58900-XXX	SBK, <i>See Selection Guide on Page 10</i>		13	64246-000	ABS Sensor Sleeve	2
3		RH Lower Steering Knuckle Assembly, Includes Key Nos. 8-10, 13, 20-21		14		Tie Rod Assembly, Includes Key Nos. 15-17 <i>See Selection Guide on Page 10</i>	1
a	80029-XXX	IBK, <i>See Selection Guide on Page 12</i>				Tie Rod End Service Kits	
b	58900-XXX	SBK, <i>See Selection Guide on Page 10</i>				10K•12.5K, 1 1/4" Threads	
4	60903-XXX	LH Upper Steering Knuckle Assembly, Includes Key Nos. 6-7, 9-10 IBK, <i>See Selection Guide on Page 12</i> SBK, <i>See Selection Guide on Page 10</i>	1	60961-734		Axle Set, Includes Left Hand & Right Hand Kits	
5	60904-402	RH Upper Steering Knuckle Assembly, Includes Key Nos. 6-7, 9-10	1	60961-736		Left Hand, Includes Key Nos. 15a, 17-19	
	60961-630	Kingpin Bushing and Bearing Service Kit, One Side, Includes Key Nos. 6-12 & Loctite		60961-741		Right Hand, Includes Key Nos. 15b, 17-19	
6	33117-000	Grease Zerk	2			13.2K•14.6K, 1 1/8" Threads	
7	68687-003	Upper Grease Cap Assembly	2	60961-735		Axle Set, Includes Left Hand & Right Hand Kits	
8	68687-002	Lower Grease Cap Assembly	2	60961-742		Left Hand, Includes Key Nos. 16a, 17-19	
9	58909-001	Kingpin Bushing	4	60961-743		Right Hand, Includes Key Nos. 16b, 17-19	
	60961-633	Roller Thrust Bearing Service Kit, One Side Includes Key Nos. 10-12 & Loctite				Tie Rod End, Includes Key No. 17	
				15a	70995-001	Left Hand, 10K•12.5K, 1 1/4" Threads	1
				b	70995-002	Right Hand, 10K•12.5K, 1 1/4" Threads	1
				16a	76876-001	Left Hand, 13.2K•14.6K, 1 1/8" Threads	1
				b	76876-002	Right Hand, 13.2K•14.6K, 1 1/8" Threads	1
				17		*7/8" Castle Nut	2
				18	22962-007	7/8" Flat Washer	2
				19	17800-004	Tie Rod Nut Cotter Pin	2
					60961-069	Stop Bolt Service Kit, One Side, Includes Key Nos. 20-21	
				20	60238-001	1/2"-13 UNC Square Head Bolt	2
				21	60240-000	1/2"-13 UNC Hex Jam Nut	2
				22	58917-023	3/4"-10 x 2 3/4" Hex Head Cap Screw (IBK Only)	4
				23	22962-001	3/4" Flat Washer (IBK Only)	4

NOTES: * Item included in kit/assembly only, part not sold separately.



■ STEERTEK NXT Axle Selection Guide

Vehicles built prior to June, 2025

Standard Brake Knuckle (SBK) with 3/4" Mounting Fasteners

Page 8			Part Number					
Capacity (lb)	Wheel Base (in)	KPI/ *Steering Arm Type (in)	STEERTEK NXT Assembly	Axle & Kingpin Assembly Key No. 1	Lower Steering Knuckle Assembly		Upper Steering Knuckle Assembly	Tie Rod Assembly Key No. 14
					Left Hand Key No. 2b	Right Hand Key No. 3b	Left Hand Key No. 4	
10K	<190	70.9/ LSA	91925-113	91924-002M	58900-505	58900-506	60903-475	76877-005
	215		91925-114		58900-507	58900-508		76877-002
	>240		91925-115		58900-509	58900-510		76877-003
	<190	70.9/ RSA	91925-116		58900-505	58900-506	60903-481	76877-005
	215		91925-117		58900-507	58900-508		76877-002
	>240		91925-118		58900-509	58900-510		76877-003
	<190	69.0/ LSA	91925-119	91924-003M	58900-505	58900-506	60903-475	76877-004
	215		91925-120		58900-507	58900-508		76877-005
	>240		91925-121		58900-509	58900-510		76877-001
	<190	69.0/ RSA	91925-122		58900-505	58900-506	60903-481	76877-004
	215		91925-123		58900-507	58900-508		76877-005
	>240		91925-124		58900-509	58900-510		76877-001
12K	<190	70.9/ LSA	91925-237	91924-004M	58900-505	58900-506	60903-475	76877-005
	215		91925-238		58900-507	58900-508		76877-002
	>240		91925-239		58900-509	58900-510		76877-003
	<190	70.9/ RSA	91925-240		58900-505	58900-506	60903-481	76877-005
	215		91925-241		58900-507	58900-508		76877-002
	>240		91925-242		58900-509	58900-510		76877-003
	<190	69.0/ LSA	91925-243	91924-005M	58900-505	58900-506	60903-475	76877-004
	215		91925-244		58900-507	58900-508		76877-005
	>240		91925-245		58900-509	58900-510		76877-001
	<190	69.0/ RSA	91925-246		58900-505	58900-506	60903-481	76877-004
	215		91925-247		58900-507	58900-508		76877-005
	>240		91925-248		58900-509	58900-510		76877-001
12.5K	<190	70.9/ LSA	91925-213	91924-004M	58900-505	58900-506	60903-475	76877-005
	215		91925-214		58900-507	58900-508		76877-002
	>240		91925-215		58900-509	58900-510		76877-003
	<190	70.9/ RSA	91925-216		58900-505	58900-506	60903-481	76877-005
	215		91925-217		58900-507	58900-508		76877-002
	>240		91925-218		58900-509	58900-510		76877-003
	<190	69.0/ LSA	91925-219	91924-005M	58900-505	58900-506	60903-475	76877-004
	215		91925-220		58900-507	58900-508		76877-005
	>240		91925-221		58900-509	58900-510		76877-001
	<190	69.0/ RSA	91925-222		58900-505	58900-506	60903-481	76877-004
	215		91925-223		58900-507	58900-508		76877-005
	>240		91925-224		58900-509	58900-510		76877-001

Continued on next page



■ STEERTEK NXT Axle Selection Guide

Vehicles built prior to June, 2025

Standard Brake Knuckle (SBK) with 3/4" Mounting Fasteners

Page 8			Part Number					
Capacity (lb)	Wheel Base (in)	KPI/ *Steering Arm Type (in)	STEERTEK NXT Assembly	Axle & Kingpin Assembly Key No. 1	Lower Steering Knuckle Assembly		Upper Steering Knuckle Assembly	Tie Rod Assembly
					Left Hand Key No. 2b	Right Hand Key No. 3b	Left Hand Key No. 4	Key No. 14
13.2K	<190	70.9/ LSA	91925-301	91924-006M	58900-505	58900-506	60903-475	76879-001
	215		91925-302		58900-507	58900-508		76879-002
	>240		91925-303		58900-509	58900-510		76879-003
	<190	70.9/ RSA	91925-304		58900-505	58900-506	60903-481	76879-001
	215		91925-305		58900-507	58900-508		76879-002
	>240		91925-306		58900-509	58900-510		76879-003
	<190	69.0/ LSA	91925-307	91924-007M	58900-505	58900-506	60903-475	76879-001
	215		91925-308		58900-507	58900-508		
	>240		91925-309		58900-509	58900-510		
	<190	69.0/ RSA	91925-310		58900-505	58900-506	60903-481	
	215		91925-311		58900-507	58900-508		
	>240		91925-312		58900-509	58900-510		
14.6K	<190	70.9/ LSA	91925-401	91924-008M	58900-505	58900-506	60903-475	76879-001
	215		91925-402		58900-507	58900-508		76879-002
	>240		91925-403		58900-509	58900-510		76879-003
	<190	70.9/ RSA	91925-404		58900-505	58900-506	60903-481	76879-001
	215		91925-405		58900-507	58900-508		76879-002
	>240		91925-406		58900-509	58900-510		76879-003
	<190	69.0/ LSA	91925-407	91924-009M	58900-505	58900-506	60903-475	76879-001
	215		91925-408		58900-507	58900-508		
	>240		91925-409		58900-509	58900-510		
	<190	69.0/ RSA	91925-410		58900-505	58900-506	60903-481	
	215		91925-411		58900-507	58900-508		
	>240		91925-412		58900-509	58900-510		

NOTE: * LSA stands for Lower Steering Arm and RSA stands for Raised Steering Arm configuration.



■ STEERTEK NXT Axle Selection Guide

Vehicles built prior to June, 2025

Integrated Brake Knuckle (IBK) Axle with 3/4" Mounting Fasteners

Page 8			Part Number						
Capacity (lb)	Wheel Base (in)	KPI/ *Steering Arm Type (in)	STEERTEK NXT Assembly	Axle & Kingpin Assembly Key No. 1	Lower Steering Knuckle Assembly		Upper Steering Knuckle Assembly Left Hand Key No. 4	Tie Rod Assembly Key No. 14	
					Left Hand Key No. 2a	Right Hand Key No. 3a			
10K	<190	70.9/ LSA	91925-601	91924-002M	80029-105	80029-106	60903-475	76877-005	
	215		91925-602		80029-107	80029-108		76877-002	
	>240		91925-603		80029-109	80029-110		76877-003	
	<190	70.9/ RSA	91925-604		80029-105	80029-106	60903-481	76877-005	
	215		91925-605		80029-107	80029-108		76877-002	
	>240		91925-606		80029-109	80029-110		76877-003	
	<190	69.0/ LSA	91925-607		91924-003M	80029-105	80029-106	60903-475	76877-004
	215		91925-608			80029-107	80029-108		76877-005
	>240		91925-609			80029-109	80029-110		76877-001
	<190	69.0/ RSA	91925-610	80029-105		80029-106	60903-481	76877-004	
	215		91925-611	80029-107		80029-108		76877-005	
	>240		91925-612	80029-109		80029-110		76877-001	
12K	<190	70.9/ LSA	91925-713	91924-004M		80029-105	80029-106	60903-475	76877-005
	215		91925-714			80029-107	80029-108		76877-002
	>240		91925-715			80029-109	80029-110		76877-003
	<190	70.9/ RSA	91925-716		80029-105	80029-106	60903-481	76877-005	
	215		91925-717		80029-107	80029-108		76877-002	
	>240		91925-718		80029-109	80029-110		76877-003	
	<190	69.0/ LSA	91925-719		91924-005M	80029-105	80029-106	60903-475	76877-004
	215		91925-720			80029-107	80029-108		76877-005
	>240		91925-721			80029-109	80029-110		76877-001
	<190	69.0/ RSA	91925-722	80029-105		80029-106	60903-481	76877-004	
	215		91925-723	80029-107		80029-108		76877-005	
	>240		91925-724	80029-109		80029-110		76877-001	
12.5K	<190	70.9/ LSA	91925-701	91924-004M		80029-105	80029-106	60903-475	76877-005
	215		91925-702			80029-107	80029-108		76877-002
	>240		91925-703			80029-109	80029-110		76877-003
	<190	70.9/ RSA	91925-704		80029-105	80029-106	60903-481	76877-005	
	215		91925-705		80029-107	80029-108		76877-002	
	>240		91925-706		80029-109	80029-110		76877-003	
	<190	69.0/ LSA	91925-707		91924-005M	80029-105	80029-106	60903-475	76877-004
	215		91925-708			80029-107	80029-108		76877-005
	>240		91925-709			80029-109	80029-110		76877-001
	<190	69.0/ RSA	91925-710	80029-105		80029-106	60903-481	76877-004	
	215		91925-711	80029-107		80029-108		76877-005	
	>240		91925-712	80029-109		80029-110		76877-001	

Continued on next page



■ STEERTEK NXT Axle Selection Guide

Vehicles built prior to June, 2025

Integrated Brake Knuckle (IBK) Axle with 3/4" Mounting Fasteners

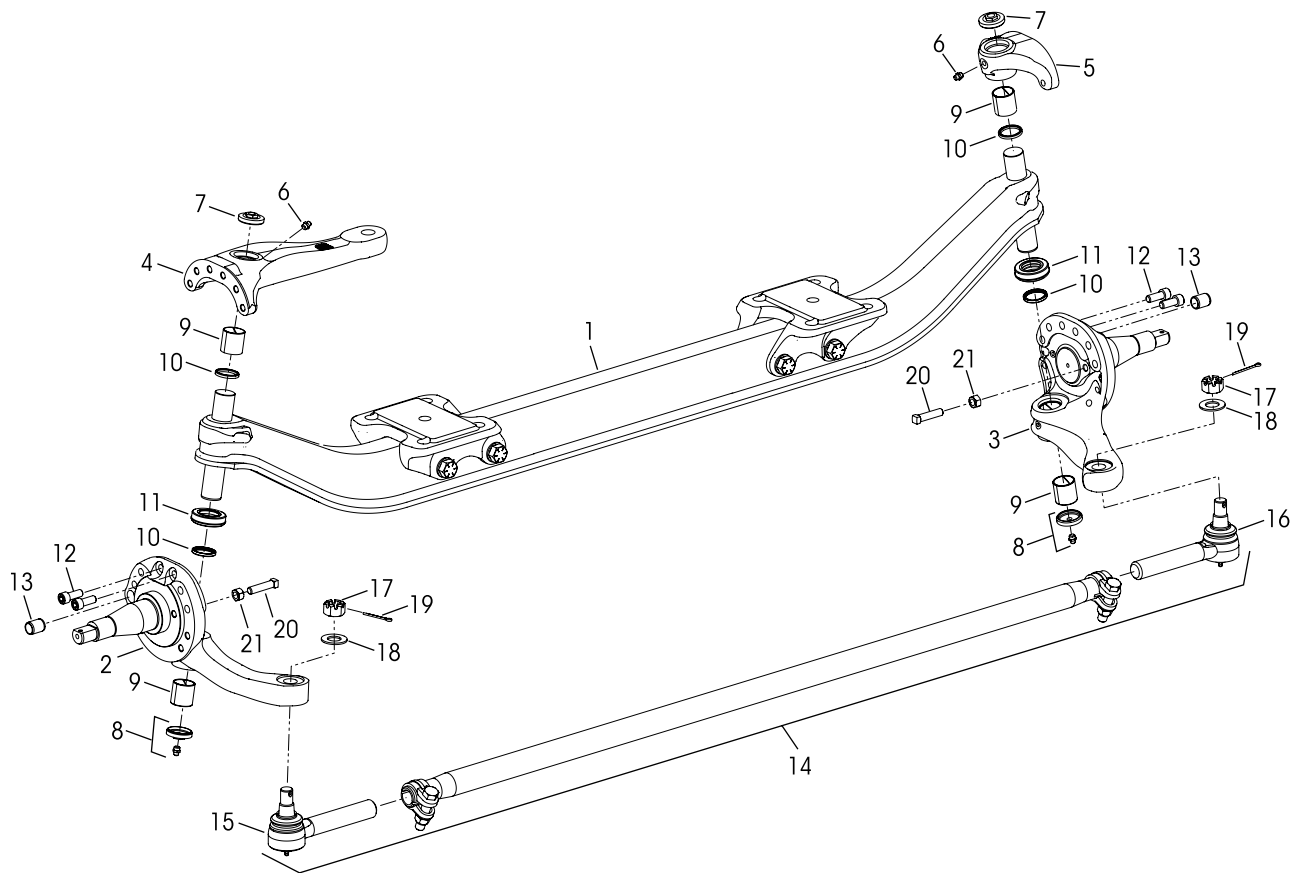
Page 8			Part Number					
Capacity (lb)	Wheel Base (in)	KPI/ *Steering Arm Type (in)	STEERTEK NXT Assembly	Axle & Kingpin Assembly Key No. 1	Lower Steering Knuckle Assembly		Upper Steering Knuckle Assembly	Tie Rod Assembly
					Left Hand Key No. 2a	Right Hand Key No. 3a	Left Hand Key No. 4	Key No. 14
13.2K	<190	70.9/ LSA	91925-801	91924-006M	80029-105	80029-106	60903-475	76879-001
	215		91925-802		80029-107	80029-108		76879-002
	>240		91925-803		80029-109	80029-110		76879-003
	<190	70.9/ RSA	91925-804		80029-105	80029-106	60903-481	76879-001
	215		91925-805		80029-107	80029-108		76879-002
	>240		91925-806		80029-109	80029-110		76879-003
	<190	69.0/ LSA	91925-807	91924-007M	80029-105	80029-106	60903-475	76879-001
	215		91925-808		80029-107	80029-108		76879-001
	>240		91925-809		80029-109	80029-110		76879-001
	<190	69.0/ RSA	91925-810		80029-105	80029-106	60903-481	76879-001
	215		91925-811		80029-107	80029-108		76879-001
	>240		91925-812		80029-109	80029-110		76879-001
14.6K	<190	70.9/ LSA	91925-901	91924-008M	80029-105	80029-106	60903-475	76879-001
	215		91925-902		80029-107	80029-108		76879-002
	>240		91925-903		80029-109	80029-110		76879-003
	<190	70.9/ RSA	91925-904		80029-105	80029-106	60903-481	76879-001
	215		91925-905		80029-107	80029-108		76879-002
	>240		91925-906		80029-109	80029-110		76879-003
	<190	69.0/ LSA	91925-907	91924-009M	80029-105	80029-106	60903-475	76879-001
	215		91925-908		80029-107	80029-108		
	>240		91925-909		80029-109	80029-110		
	<190	69.0/ RSA	91925-910		80029-105	80029-106	60903-481	
	215		91925-911		80029-107	80029-108		
	>240		91925-912		80029-109	80029-110		

NOTE: * LSA stands for Lower Steering Arm and RSA stands for Raised Steering Arm configuration.



8K Capacity
Equipped with Standard Brake Knuckle (SBK)

Vehicles built prior to January, 2024





STEERTEK™ NXT Axle for Peterbilt Truck Vehicles

KEY NO.	PART NO.	DESCRIPTION	VEHICLE QTY.	KEY NO.	PART NO.	DESCRIPTION	VEHICLE QTY.
	91925-XXX	STEERTEK NXT Axle Assembly , Includes Key Nos. 1-21, <i>See Selection Guide below</i>	1	10	91234-001	Kingpin Seal	4
1	91924-XXX	Axle & Kingpin Assembly, <i>See Selection Guide below</i>	1	11	91202-001	Roller Thrust Bearing	2
	91221-XXX	Lower Steering Knuckle Assembly, Includes Key Nos. 8-10, 13, 20-21, <i>See Selection Guide below</i>		12	60236-004	½"-13 UNC Socket Head Cap Screw	4
2		Left Hand	1	Not Shown	60937-000	Loctite® (Red) Compound Tube	1
3		Right Hand	1	13	64246-000	ABS Sensor Sleeve	2
4	91225-XXX	LH Upper Steering Knuckle Assembly, Includes Key Nos. 6-7, 9-10, <i>See Selection Guide below</i>		14	76877-XXX	Tie Rod Assembly, Includes Key Nos. 15-17 <i>See Selection Guide below</i>	1
5	91229-001	RH Upper Steering Knuckle Assembly, Includes Key Nos. 6-7, 9-10	1			Tie Rod End Service Kits	
	34013-448	Kingpin Bushing Service Kit, One Side , Includes Key Nos. 6-9 & Loctite			60961-734	Axle Set , Includes Left Hand & Right Hand Kits	
6	33117-000	Grease Zerk	2		60961-736	Left Hand , Includes Key Nos. 15, 17-19	
7	91231-001	Upper Grease Cap Assembly	2		60961-741	Right Hand , Includes Key Nos. 16-19	
8	91233-001	Lower Grease Cap Assembly	2			Tie Rod End, Includes Key No. 17	
9	91204-001	Kingpin Bushing	4	15	70995-001	Left Hand	1
	34013-449	Roller Thrust Bearing Service Kit, One Side , Includes Key Nos. 10-12 & Loctite		16	70995-002	Right Hand	1
				17		*7/8" Castle Nut	2
				18	22962-007	7/8" Flat Washer	2
				19	17800-004	Tie Rod Nut Cotter Pin	2
					60961-069	Stop Bolt Service Kit, One Side , Includes Key Nos. 20-21	
				20	60238-001	½"-13 UNC Square Head Bolt	2
				21	60240-000	½"-13 UNC Hex Jam Nut	2

NOTES: * Item included in kit/assembly only, part not sold separately.

■ STEERTEK NXT Axle Selection Guide

Vehicles built prior to January, 2024

Standard Brake Knuckle (SBK) with ½" Mounting Fasteners

Page 14			Part Number					
Capacity (lb)	Wheel Base (in)	KPI/ *Steering Arm Type (in)	STEERTEK NXT Assembly	Axle & Kingpin Assembly Key No. 1	Lower Steering Knuckle Assembly		Upper Steering Knuckle Assembly	Tie Rod Assembly Key No. 14
					Left Hand Key No. 2	Right Hand Key No. 3	Left Hand Key No. 4	
8K	<190	70.9/ LSA	91925-007	91924-001M	91221-009	91221-010	91225-004	76877-001
	215		91925-008		91221-011	91221-012		76877-002
	>240		91925-009		91221-013	91221-014		
	<190	70.9/ RSA	91925-010		91221-009	91221-010	91225-005	76877-001
	215		91925-011		91221-011	91221-012		76877-002
	>240		91925-012		91221-013	91221-014		

NOTE: * LSA stands for Lower Steering Arm and RSA stands for Raised Steering Arm configuration.



■ Special Tools

KINGPIN BUSHING TOOLS

ADJUSTABLE STRAIGHT FLUTE REAMER

2.00" to 2.01" Cutting Diameter

McMaster-Carr #3141A28



OR

PRECISION-FINISH CYLINDER HONE

1.75" to 2.75" Cylinder ID

McMaster-Carr #7362A445



EXTENSION PILOT TOOL

for 1.78" to 2.09" Adjustable Reamer

McMaster-Carr #3004A32



NOTE: Hendrickson does not supply these tools.
Contact tool manufacturer.

This is a general parts list to provide directional information. Components may vary by model. Questions in regards to parts, contact Hendrickson Truck Parts at 855.743.3733 (Toll-free U.S. and Canada), 630.910.2800 (Outside U.S. and Canada) or email: truckparts@hendrickson-intl.com.

Actual product performance may vary depending upon vehicle configuration, operation, service and other factors.

All applications must comply with applicable Hendrickson specifications and must be approved by the respective vehicle manufacturer with the vehicle in its original, as-built configuration. Contact Hendrickson for additional details regarding specifications, applications, capacities, and operation, service and maintenance instructions.

Call Hendrickson at 630.910.2800 or 855.RIDERED (855.743.3733) for additional information.



www.hendrickson-intl.com

TRUCK COMMERCIAL VEHICLE SYSTEMS
800 South Frontage Road
Woodridge, IL 60517-4904 USA
855.743.3733 (Toll-free U.S. and Canada)
630.910.2800 (Outside U.S. and Canada)
Fax 630.910.2899

SP-346 Rev B 01-26

© 2021 – 2026 Hendrickson USA, L.L.C. All Rights Reserved. All trademarks shown are owned by Hendrickson USA, L.L.C., or one of the affiliates, in one or more countries.

Information contained in this literature was accurate at the time of publication. Product changes may have been made after the copyright date that are not reflected.

Printed in United States of America