

H PARTS LIST

PRIMAAX® EX • PRIMAAX® Heavy-duty Rear Air Suspension

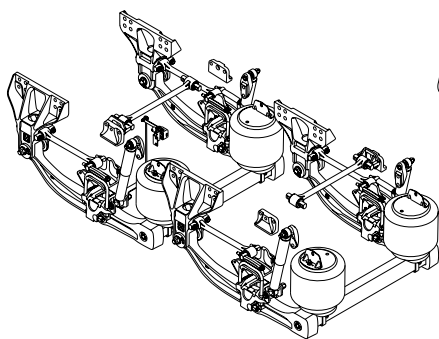
LIT NO: SP-164

DATE: June 2024

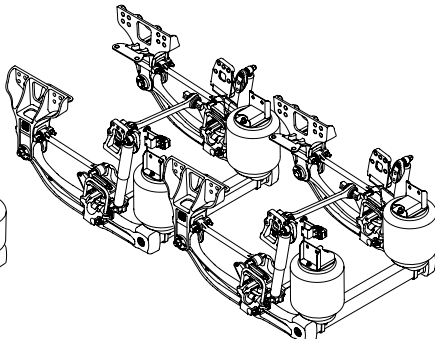
REVISION: 0

CONTENTS

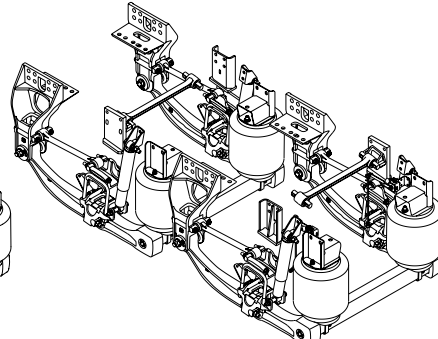
DESCRIPTION	PAGE	DESCRIPTION	PAGE	DESCRIPTION	PAGES																		
Technical Notes	2	Selection Guides – Common Parts		Selection Guides – Clamp Groups																			
Selection Guides		<ul style="list-style-type: none"> ■ Frame Hanger 18 ■ QUIK-ALIGN® Connection. 18 ■ Air Spring 19 ■ S-cam Support Bracket 19 ■ Shock Absorber 20 ■ Height Control Valve 20 ■ Transverse Torque Rod 21 		<table border="1"> <thead> <tr> <th></th> <th>Small</th> <th>Large</th> </tr> </thead> <tbody> <tr> <td>■ Suspension</td> <td>4</td> <td>10</td> </tr> <tr> <td>■ Exploded View</td> <td>5</td> <td>11</td> </tr> <tr> <td>■ U-beam Assembly</td> <td>6</td> <td>12</td> </tr> <tr> <td>■ Clamp Group</td> <td>7</td> <td>13</td> </tr> <tr> <td>■ Longitudinal Torque Rod</td> <td>8</td> <td>13</td> </tr> </tbody> </table>		Small	Large	■ Suspension	4	10	■ Exploded View	5	11	■ U-beam Assembly	6	12	■ Clamp Group	7	13	■ Longitudinal Torque Rod	8	13	
	Small	Large																					
■ Suspension	4	10																					
■ Exploded View	5	11																					
■ U-beam Assembly	6	12																					
■ Clamp Group	7	13																					
■ Longitudinal Torque Rod	8	13																					
■ Small Clamp Group: Bottom Cap • Longitudinal Torque Rod	9																						
■ Large Clamp Group: Bottom Cap • Top Pad • Axle Spacer	15																						
■ Previous Model: Support Beam & Cross Tube Replacement	22																						
Notes	21																						
Severe Service Kits	23																						
Special Tools	24																						



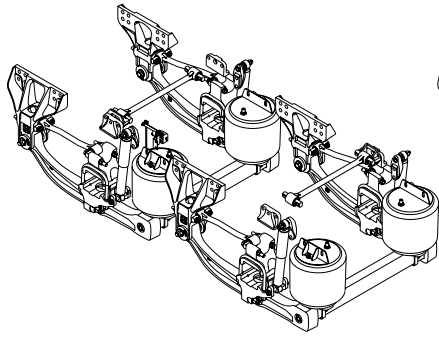
23K•46K•69K | 26K S•52K S•78K S
8½", 10" Ride Height



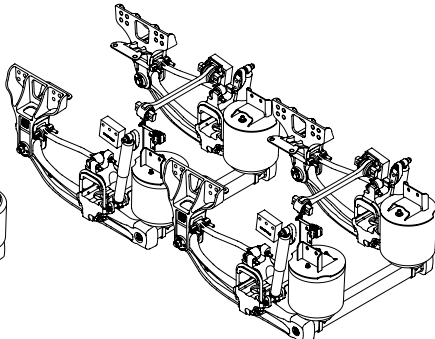
23K•46K•69K | 26K S•52K S•78K S
12" Ride Height



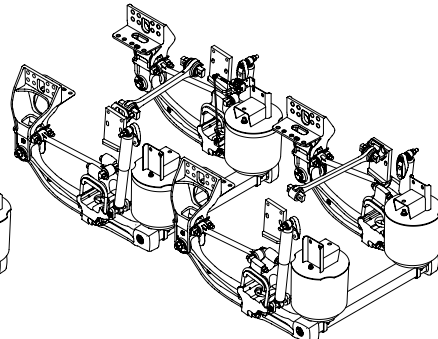
23K T•46K T•69K T | 26K ST•52K ST•78K ST
12½", 14¾", 15½" Ride Height



26K • 52K • 78K
8½", 10" Ride Height



26K • 52K•78K
12" Ride Height



26K T•52K T•78K T
12½", 14¾", 15½" Ride Height

■ Technical Notes

The following information (Figure 1 through 3) is intended to assist in determining which suspension is equipped on the vehicle. As an example, in Figure 1, the end cap / frame hanger help identify whether the suspension is the current model PRIMAAX EX or the previous production model PRIMAAX (out of production since May 2010).

OEM Specific PRIMAAX EX Parts lists are available online at www.hendrickson-intl.com

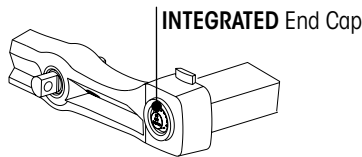
Caterpillar (SP-234) • Freightliner / Western Star (SP-230) • International Truck (SP-233) • Mack (SP-231) • Spartan (SP-342) • Volvo (SP-226)

FIGURE 1

PRIMAAX EX • PRIMAAX

PRIMAAX EX

Enhanced U-beam Assembly with Integrated End Cap



PRIMAAX

Support Beam with Detachable End Cap

Out of Production May 2010

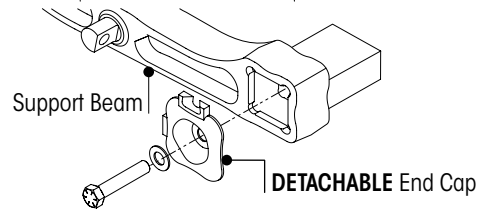
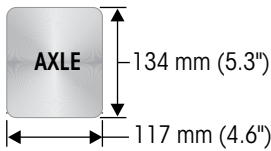


FIGURE 2

SUSPENSION RATING • CAPACITY

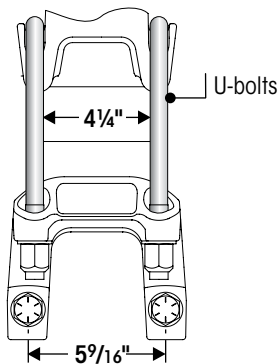
S – designates Small Clamp Group • T – designates Tall Ride Height 12½", 14¾", 15½"

Small Clamp Group Axle Size

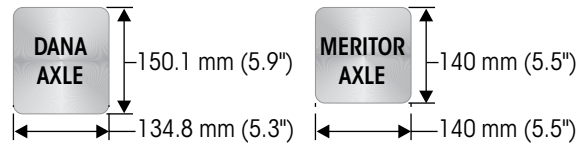


Suspension Model:
PRIMAAX EX 23K•46K•69K | 23KT•46KT•69KT
 26K S•52K S•78K S | 26K ST•52K ST•78K ST
PRIMAAX 230•460•690 | 230T•460T•690T

SMALL CLAMP GROUP

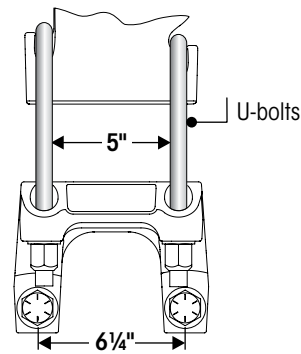


Large Clamp Group Axle Size



Suspension Model:
PRIMAAX EX 26K•52K•78K | 26KT•52KT•78KT
PRIMAAX 260•520•780 | 260T•520T•780T

LARGE CLAMP GROUP





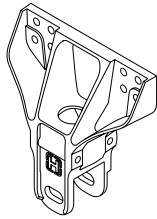
■ Technical Notes (Continued)

FIGURE 3

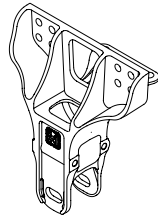
RIDE HEIGHT

PRIMAAX EX Frame Hangers

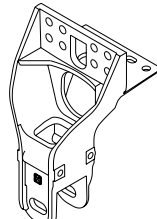
8½", 10" Ride Height



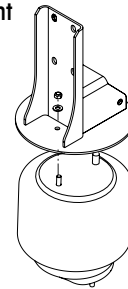
12" Ride Height



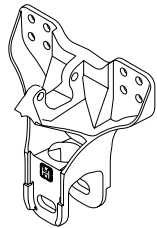
12½", 14¾", 15½" Ride Height



WITH

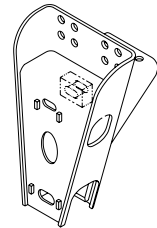


15½" Ride Height
Kenworth Vehicles



Equipped with
Disc Brakes
optional configuration

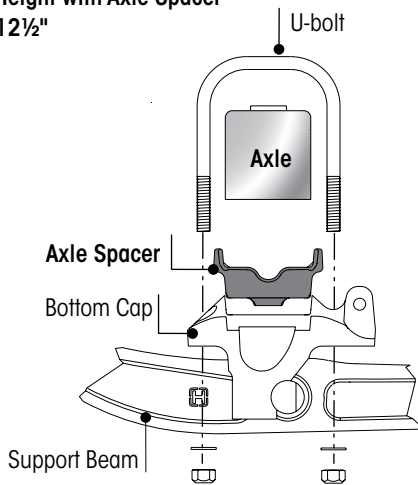
Prior to 01/2020
PRIMAAX



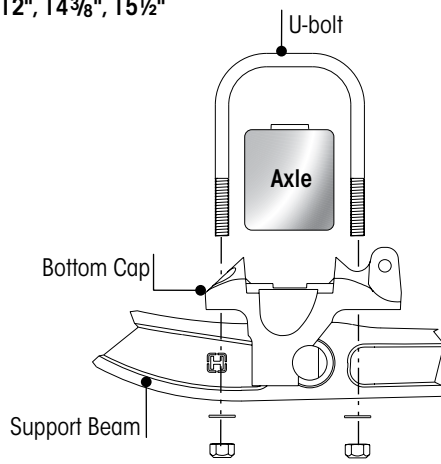
Equipped with
Disc Brakes
optional configuration

Prior to 01/2020
PRIMAAX

Ride Height with Axle Spacer
8½", 12½"



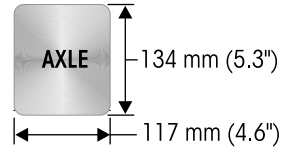
Ride Height without Axle Spacer
10", 12", 14¾", 15½"



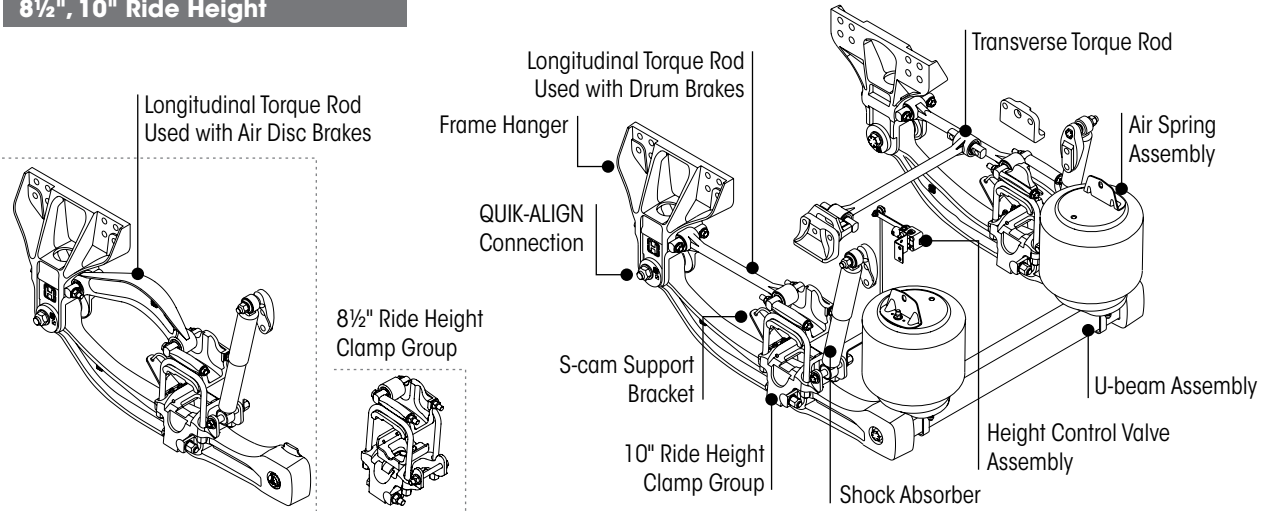


PRIMAAX EX – Small Clamp Group
23K•46K•69K | 26KS•52KS•78KS
23K T•46K T•69K T | 26KST•52KST•78KST

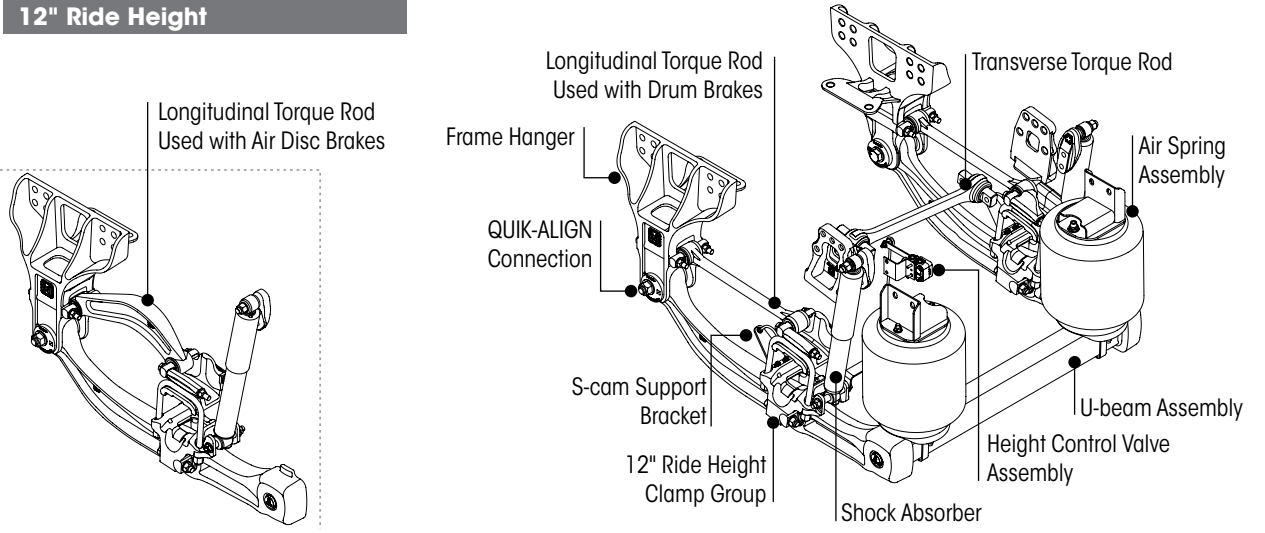
S – designates Small Clamp Group • T – designates Tall Ride Height



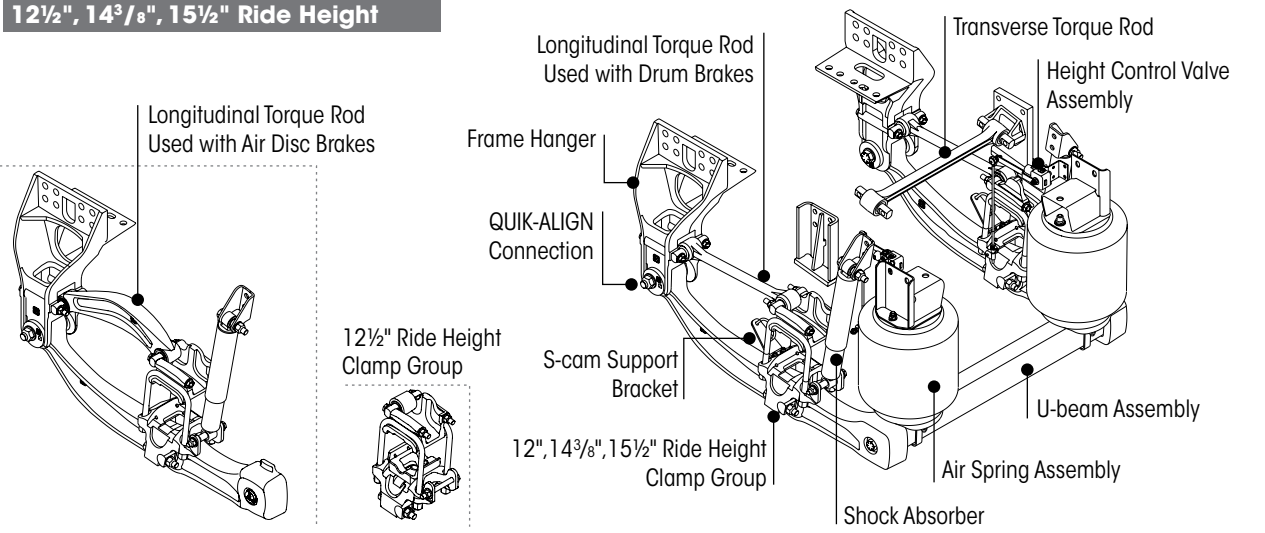
8½", 10" Ride Height



12" Ride Height



12½", 14³⁄₈", 15½" Ride Height





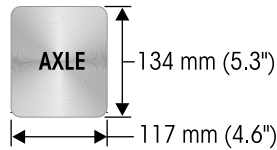
PRIMAAX EX – Small Clamp Group

23K•46K•69K | 26KS•52KS•78KS

23K T•46K T•69K T | 26KST•52KST•78KST

S – designates Small Clamp Group

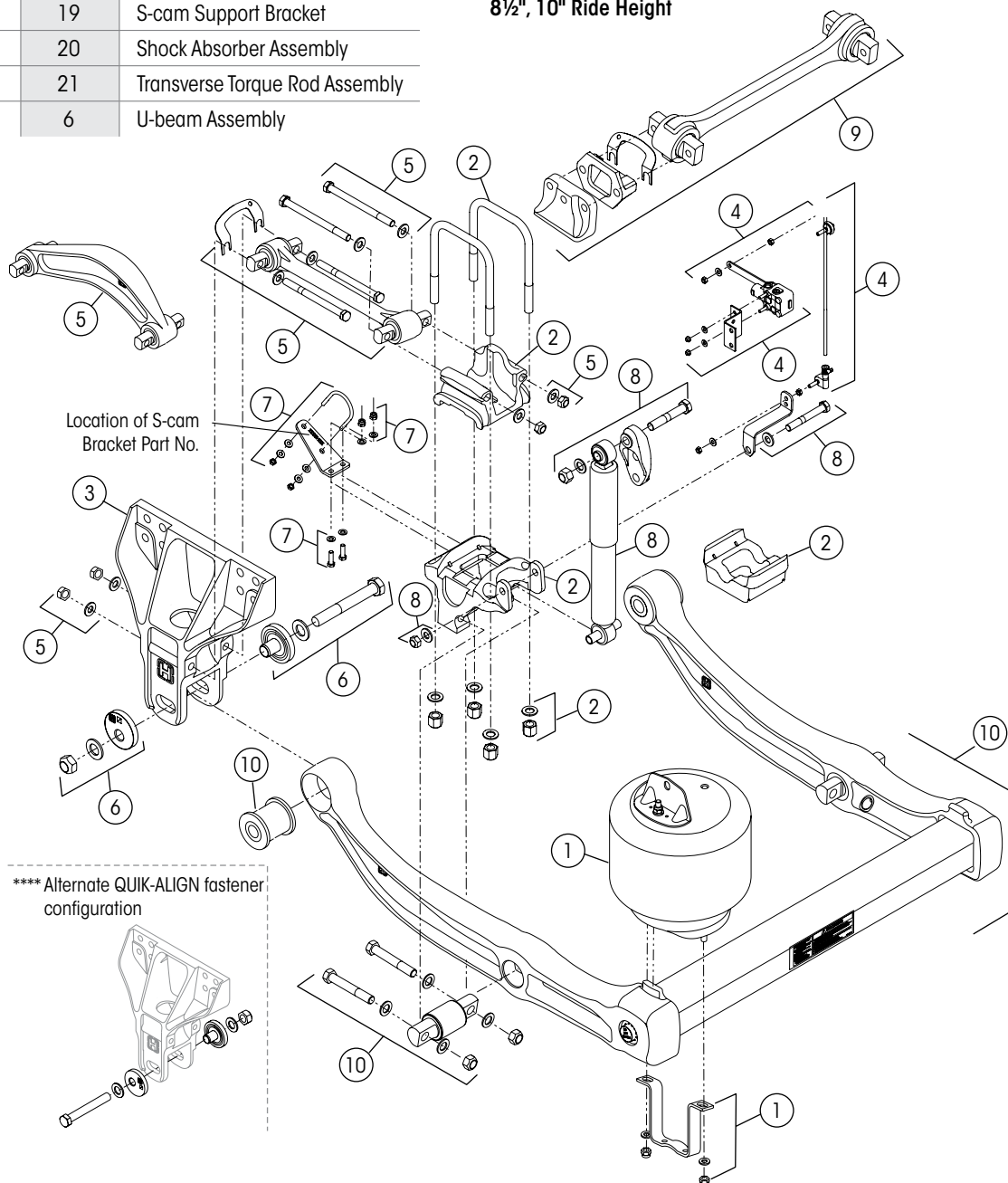
T – designates Tall Ride Height



The Hendrickson **PRIMAAX EX Small Clamp Group** rear suspension single axle exploded view shown below is a guide to corresponding detailed information in this publication, reference the Key Numbers in the graphic to the corresponding Page Number in the Table for specific capacity, ride height and part numbers.

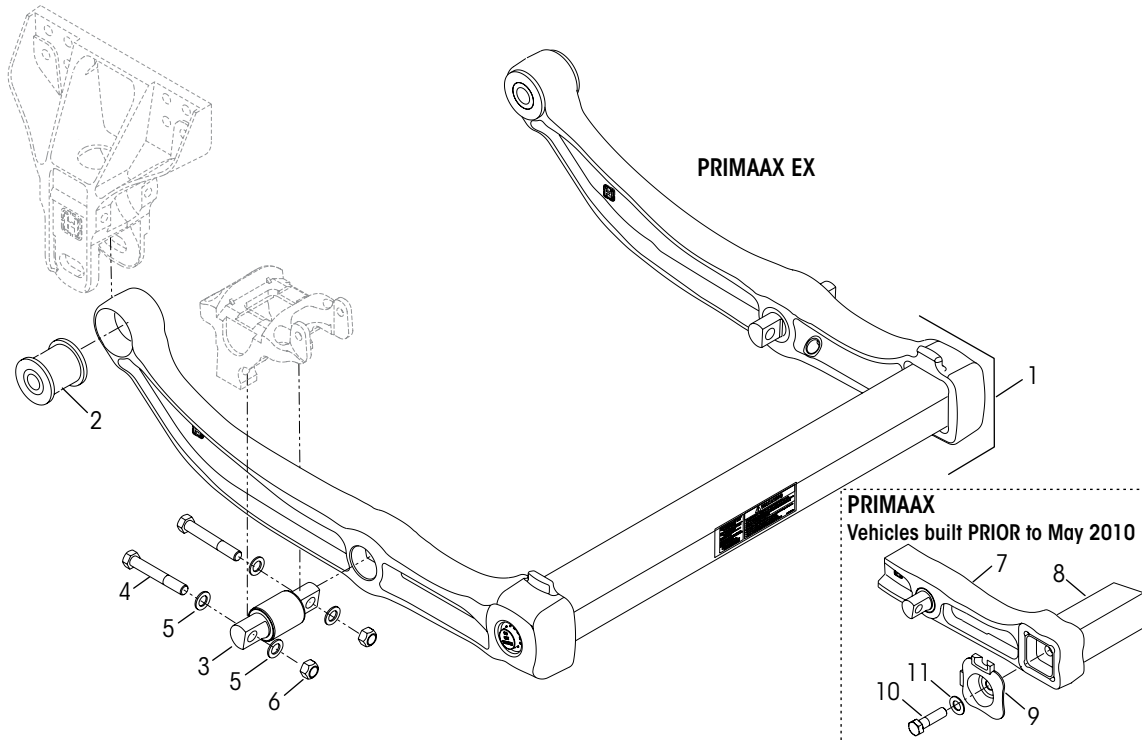
Key No.	Page No.	Description
1	19	Air Spring Assembly
2	7	Clamp Group
3	18	Frame Hanger
4	20	Height Control Valve Assembly
5	8	Longitudinal Torque Rod Assembly
6	18	QUIK-ALIGN Connection
7	19	S-cam Support Bracket
8	20	Shock Absorber Assembly
9	21	Transverse Torque Rod Assembly
10	6	U-beam Assembly

PRIMAAX EX 23K•46K•69K Shown
8½", 10" Ride Height





U-BEAM ASSEMBLY PRIMAAX EX 23K•46K•69K | 23KT•46KT•69KT | 26KS•52KS•78KS | 26KST•52KST•78KST
 PRIMAAX 230•460•690 | 230T•460T•690T

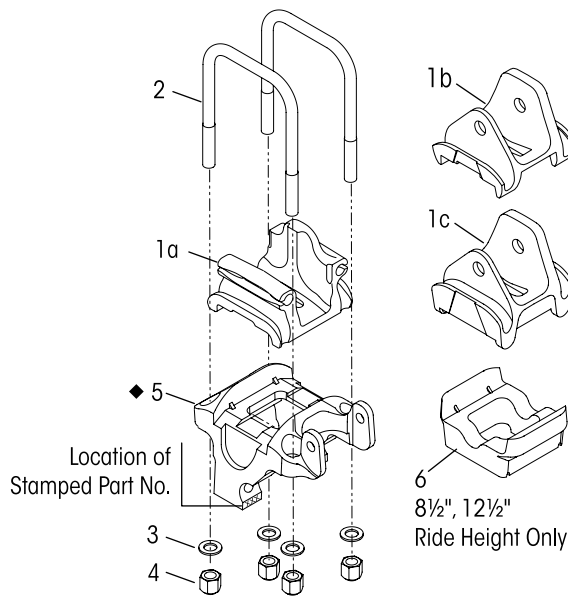


KEY NO.	PART NO.	DESCRIPTION	VEHICLE *QTY
1		U-beam Assembly, Includes Key Nos. 2-3	2
		• Front	
	67249-004	34.0" Frame Width	
	67249-012	34.3" Frame Width	
	67249-010	34.5" Frame Width	
	67249-024	34.8" Frame Width	
	67249-018	35.0" Frame Width	
		• Rear	
	67249-003	34.0" Frame Width	
	67249-011	34.3" Frame Width	
	67249-009	34.5" Frame Width	
	67249-023	34.8" Frame Width	
	67249-017	35.0" Frame Width	
2		**QUIK-ALIGN Pivot Bushing	4
		Single D-pin Bushing Service Kit,	
	34013-117	Includes Key Nos. 3, 4a, 5-6	
	34013-107	Includes Key Nos. 3, 4b, 5-6	
	34013-201	Includes Key Nos. 3, 4c, 5-6	
	34013-116	Includes Key Nos. 3, 4d, 5-6	
3		**D-pin Bushing	4

KEY NO.	PART NO.	DESCRIPTION	VEHICLE *QTY
		D-pin Fastener Service Kit, Axle Set,	
	56659-012	Includes Key Nos. 4a, 5-6	
	56659-009	Includes Key Nos. 4b, 5-6	
	56659-014	Includes Key Nos. 4c, 5-6	
	56659-013	Includes Key Nos. 4d, 5-6	
4		**3/4"-16 UNF D-pin Bolt, <i>See Selection Guide on Page 9</i>	8
	a	4 3/4" Length	
	b	5" Length	
	c	5 1/4" Length	
	d	5 1/2" Length	
5		**3/4" Flat Washer	16
6		**3/4" Locknut	8
7		*****Support Beam Assembly (66435-XXX, <i>see Replacement Guide on Page 22</i>)	
8		*****Cross Tube (60912-001, <i>see Replacement Guide on Page 22</i>)	
	46772-001	End Cap and Fastener Kit, Axle Set, (Vehicles built prior to May 2010) Includes Key Nos. 9-11	
9		**End Cap	4
10		**7/8"-9 UNC x 3 1/2" Hex Bolt	4
11		**7/8" Hendrickson Coated Flat Washer	4



CLAMP GROUP PRIMAAX EX 23K•46K•69K | 23KT•46KT•69KT | 26KS•52KS•78KS | 26KST•52KST•78KST
 PRIMAAX 230•460•690



◆ **NOTE:**

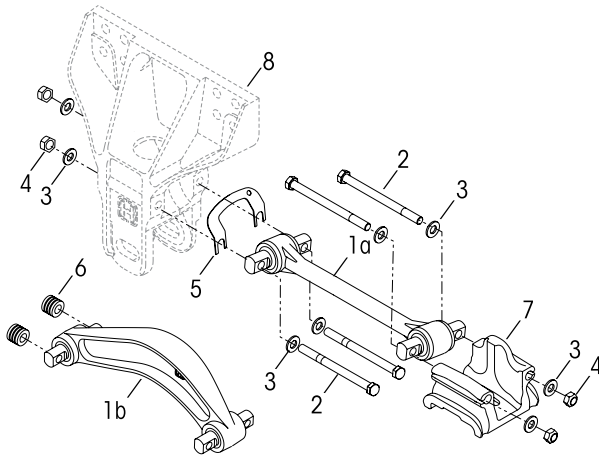
- 8½", 12", 12½", 14¾", 15½" Ride Height - Locate the part number stamped on the bottom cap
- 10" Ride Height, See Selection Guide on Page 9

KEY NO.	PART NO.	DESCRIPTION	VEHICLE *QTY
1		Top Pad	4
a	65289-000	Drum Brake	
	65289-001	Air Disc Brake - Left Side	
	65289-002	Air Disc Brake - Right Side	
b	60877-001	Dana • Meritor Axle, <i>Replaces 60877-000</i>	
c	65641-000	Disc Brake Applications	
U-bolt Service Kit, One Wheel End,			
Includes Kit No. 48718-501			
	91430-047	Includes Key Nos. 2a	
	91430-040	Includes Key Nos. 2b	
	91430-044	Includes Key Nos. 2c	
	91430-048	Includes Key Nos. 2d	
	91430-041	Includes Key Nos. 2e	
	91430-046	Includes Key Nos. 2f	
2		**¾" Square U-bolt	8
		• 10", 12", 14¾", 15½" Ride Height	
a		8⅞" Length, use with 1a	
b		8⅞" Length, use with 1b	
c		9⅞" Length, use with 1c	
		• 8½", 12½" Ride Height	
d		10⅞" Length, use with 1a,6	
e		10⅞" Length, use with 1b,6	
f		11⅞" Length, use with 1c,6	
	48718-501	U-bolt Fasteners Service Kit, One Wheel End,	
		Includes Key Nos. 3-4	
3		**¾" Flat Washer	16
4		**¾"-16 UNF U-bolt Locknut	16
5	60556-XXX	◆ Bottom Cap - Front and Rear <i>(Casting 60272-000)</i>	4
6	65139-003	Axle Spacer, 8½", 12½" Ride Height Only	4



LONGITUDINAL TORQUE RODS
(Vehicles Built After May 2010)

PRIMAAX EX 23K•46K•69K | 23KT•46KT•69KT | 26KS•52KS•78KS | 26KST•52KST•78KST

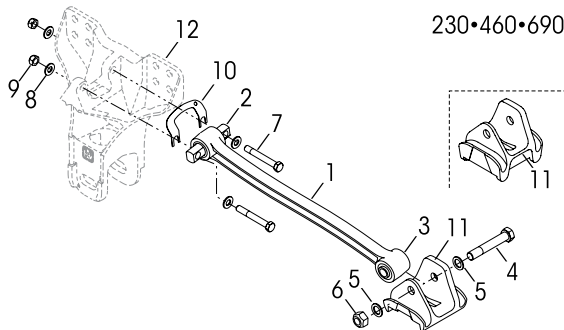


KEY NO.	PART NO.	DESCRIPTION	VEHICLE *QTY
1		•Longitudinal Torque Rod Assembly <i>See Selection Guide on Page 9</i>	4
a	67428-XXX	Used with Drum Brakes	
b	67219-XXX	Used with Air Disc Brakes	
	49176-032	Longitudinal Torque Rod Bolt Service Kit, One Torque Rod, Includes Key Nos. 2-4	
2		** $\frac{7}{8}$ "-11 UNC-2B x 8" Bolt	16
3		** $\frac{5}{8}$ " Flat Washer	32
4		** $\frac{9}{8}$ "-11 UNC-2A Locknut	16
5	49689-000L	Shim	As Req.
6		Torque Rod Spacer, <i>see Selection Guide on Page 9</i>	4
7	65289-XXX	Top Pad, <i>See Selection Guide on Page 7</i>	4
8		Frame Hanger, <i>See Page 18 for applicable configuration per suspension capacity and ride height</i>	4

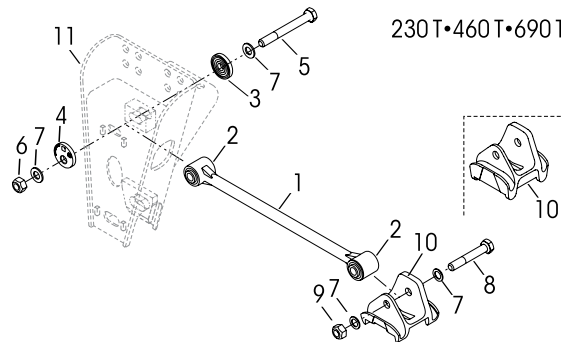
NOTES: ♦ Torque rod bushings are non-serviceable, requires complete torque rod assembly with the installed bushings for replacement.

LONGITUDINAL TORQUE RODS
(Vehicles Built Prior to May 2010)

PRIMAAX 230•460•690



KEY NO.	PART NO.	DESCRIPTION	VEHICLE *QTY
1		Longitudinal Torque Rod Assembly, Includes Key Nos. 2-3	4
	60827-605A	• 2.5° through 6.5° Pinion Angle Left Hand Front	
	60827-605B	Right Hand Front	
	64717-620A	• 7° through 9.5° Pinion Angle Left Hand Rear	
	64717-620B	Right Hand Rear	
	60827-645A	• 10° through 14.5° Pinion Angle Left Hand Rear	
	60827-645B	Right Hand Rear	
2	69210-000L	Bushing - Straddle Bar Pin - $\frac{3}{4}$ " Holes	4
3	47692-000L	Bushing - Thru Holes	4
	49176-008	Longitudinal Torque Rod Fastener Kit Axle Set, Includes Key Nos. 4-9	
	58821-012	Single, Thru Bolt Connection, Includes Key Nos. 4-6	
4		** $\frac{7}{8}$ "-14 UNF-2A x 5 $\frac{1}{2}$ " Hex Bolt	4
5		** $\frac{7}{8}$ " Hendrickson Coated Flat Washer	8
6		** $\frac{7}{8}$ "-14 UNF-2B Locknut	4
7		** $\frac{3}{4}$ "-16 UNF-2A x 3 $\frac{3}{4}$ " Hex Bolt	8
8		** $\frac{3}{4}$ " Flat Washer	16
9		** $\frac{3}{4}$ "-16 UNF-2B Locknut	8
10	49689-000L	Shim	As Req.
11		Top Pad, <i>See Selection Guide on Page 7</i>	4
12		Frame Hanger, <i>See Selection Guide on Page 18</i>	4



KEY NO.	PART NO.	DESCRIPTION	VEHICLE *QTY
1		Longitudinal Torque Rod Assembly	4
	60641-640	Front, Includes Bushings	
	60641-660	Rear, Includes Bushings	
2	47692-000L	Torque Rod Bushing - Thru Holes	8
	58821-011	Torque Rod QUIK-ALIGN Collar Bolt Service Kit, One Wheel End, Includes Key Nos. 3-7	
	58821-012	Single Longitudinal Torque Rod Fastener Kit, Thru Bolt Connection, Includes Key Nos. 7-9	
3		**Torque Rod QUIK-ALIGN Concentric Collar	4
4		**Torque Rod QUIK-ALIGN Eccentric Collar	4
5		** $\frac{7}{8}$ "-9 UNC x 7 $\frac{1}{2}$ " Hex Bolt	4
6		** $\frac{7}{8}$ "-9 UNC Hendrickson Coated Locknut	4
7		** $\frac{7}{8}$ " Hendrickson Coated Flat Washer	16
8		** $\frac{7}{8}$ "-14 UNF x 5 $\frac{1}{2}$ " Hex Bolt	4
9		** $\frac{7}{8}$ "-14 UNF Locknut	4
10		Top Pad, <i>See Selection Guide on Page 7</i>	4
11		Frame Hanger, <i>See Selection Guide on Page 18</i>	4



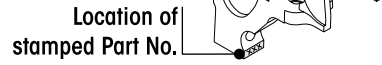
PRIMAAX EX – Bottom Cap and Longitudinal Torque Rod Assembly | Small Clamp Group

BOTTOM CAP

23K • 46K • 69K | 26K S • 52K S • 78K S
 23KT • 46KT • 69KT | 26K ST • 52K ST • 78K ST

■ **8½", 12", 12½", 14¾", 15½" Ride Heights**

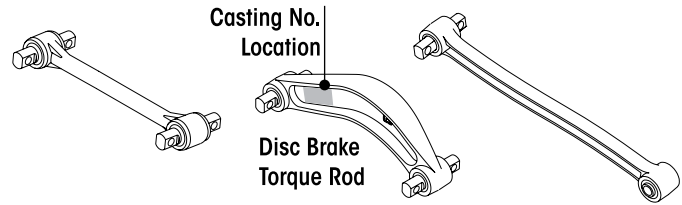
Locate the part number stamped on the bottom cap



■ **10" Ride Height (only)**, see table below

LONGITUDINAL TORQUE ROD ASSEMBLY

23K • 46K • 69K | 23KT • 46KT • 69KT
 26K S • 52K S • 78K S | 26K ST • 52K ST • 78K ST



PRIMAAX EX 10" RIDE HEIGHT

23K • 46K • 69K | 26KS • 52KS • 78KS • 23K T • 46KT • 69K T | 26KST • 52KST • 78KST

Pinion Angle	Bottom Cap Part No. 10" Ride Height	D-pin Bolt Length	*Longitudinal Torque Rod Assembly Part No.		Pinion Angle	Bottom Cap Part No. 10" Ride Height	D-pin Bolt Length	*Longitudinal Torque Rod Assembly Part No.	
			FRONT					REAR	
			Drum Brakes	**Air Disc Brakes				Drum Brakes	**Air Disc Brakes
1.5	60556-035	5"	67428-425		7.0	60556-110	5"	67428-450	67219-435 or 68801-101 Plus Pinion Spacer 67045-071
2.0	60556-040				7.5	60556-115			
2.5	60556-025				8.0	60556-120			
3.0	60556-030				8.5	60556-125			
3.5	60556-035				9.0	60556-130			
4.0	60556-040	5½"	67428-435	67219-435 or 68801-101	9.5	60556-135	5½"	67428-460	67219-435 or 68801-101 Plus Pinion Spacer 67045-069
4.5	60556-045				10.0	60556-100			
5.0	60556-050				10.5	60556-105			
5.5	60556-055				11.0	60556-110			
6.0	60556-060				11.5	60556-115			
6.5	60556-065	5½"			12.0	60556-120	5"	67428-475	67219-475 or 68801-201
					12.5	60556-125			
					13.0	60556-130			
					13.5	60556-135			
					14.0	60556-140			
		14.5	60556-145	♦♦♦ 5¾"					

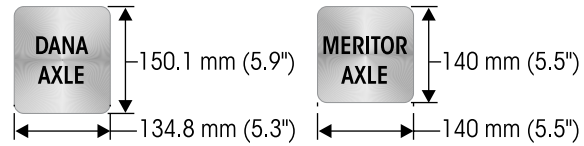
NOTES: ♦ Torque rod bushings are non-serviceable, requires complete torque rod assembly with the installed bushings for replacement.

♦♦ See casting number to confirm.

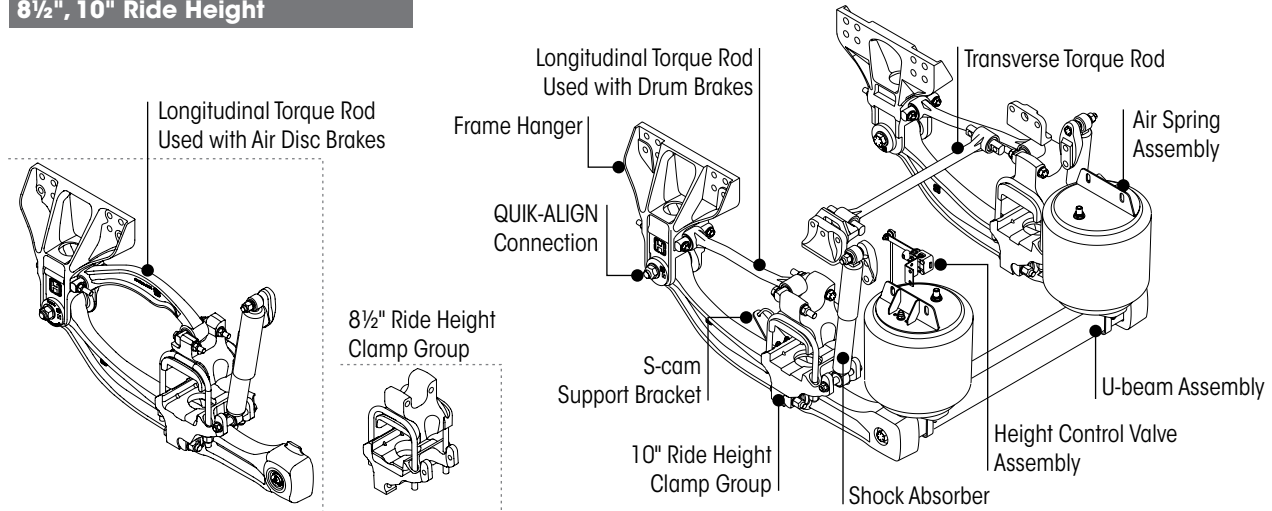
♦♦♦ May replace with 5½" bolts.



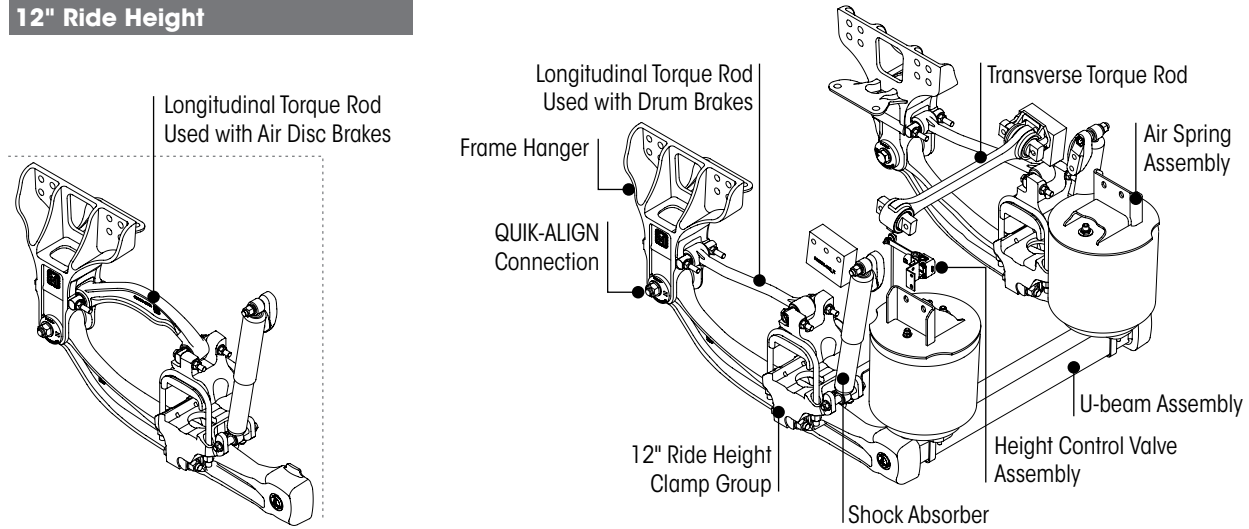
PRIMAAX EX – Large Clamp Group
26K•52K•78K | 26KT•52KT•78KT
 T – designates Tall Ride Height



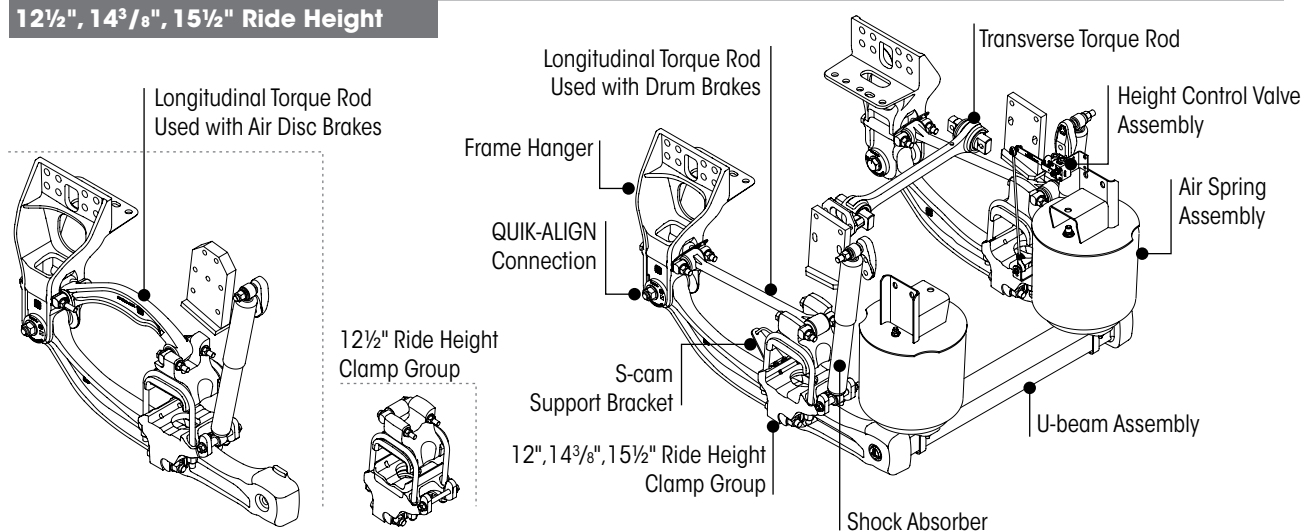
8½", 10" Ride Height



12" Ride Height

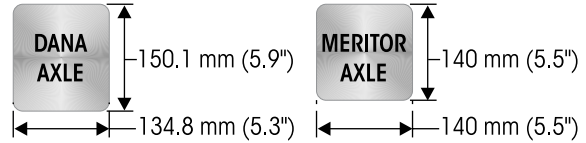


12½", 14³⁄₈", 15½" Ride Height





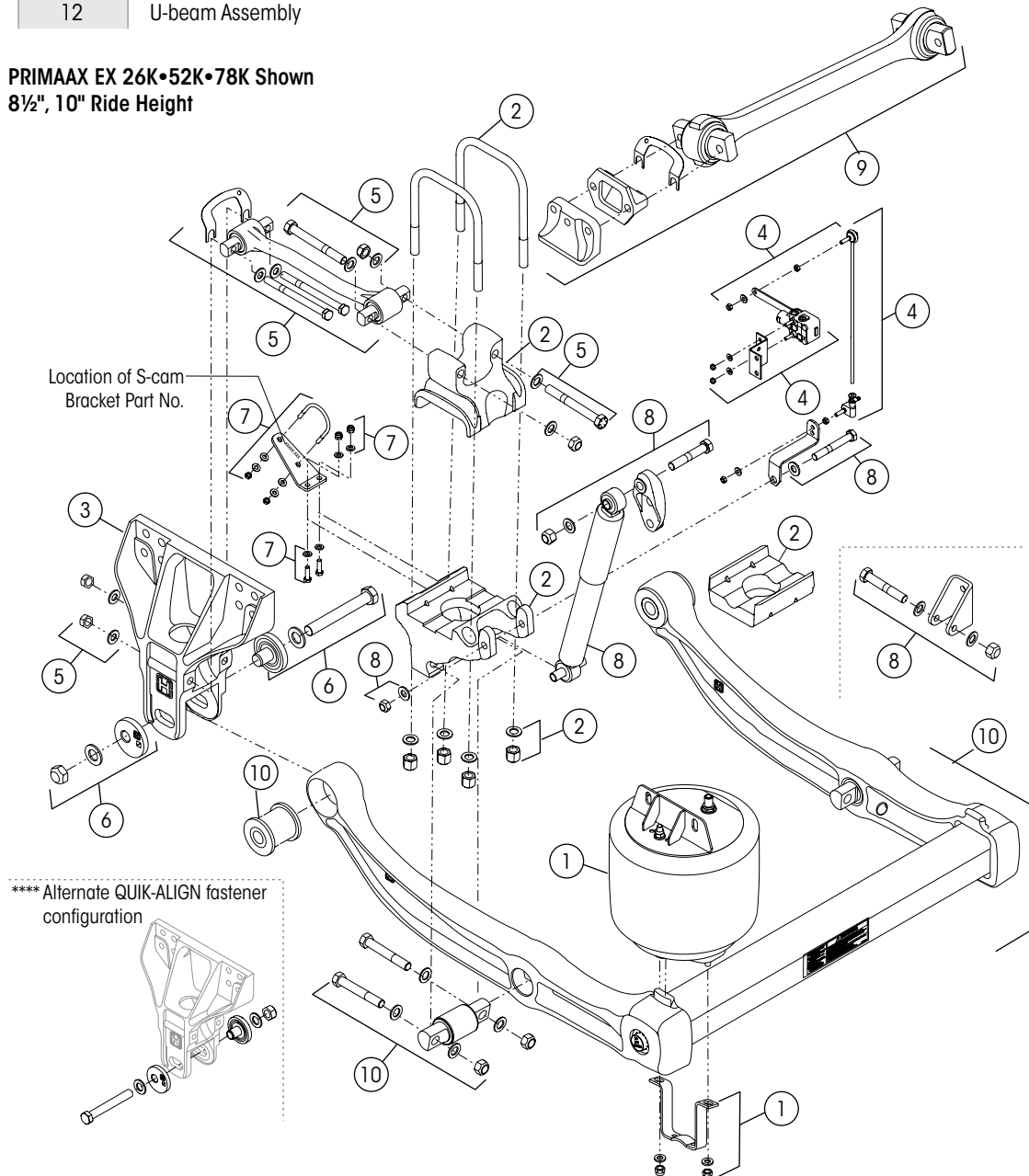
PRIMAAX EX – Large Clamp Group
26K•52K•78K | 26KT•52KT•78KT
T – designates Tall Ride Height



Key No.	Page No.	Description
1	19	Air Spring Assembly
2	13	Clamp Group
3	18	Frame Hanger
4	20	Height Control Valve Assembly
5	13-14	Longitudinal Torque Rod Assembly
6	18	QUIK-ALIGN Connection
7	19	S-cam Support Bracket
8	20	Shock Absorber Assembly
9	21	Transverse Torque Rod Assembly
10	12	U-beam Assembly

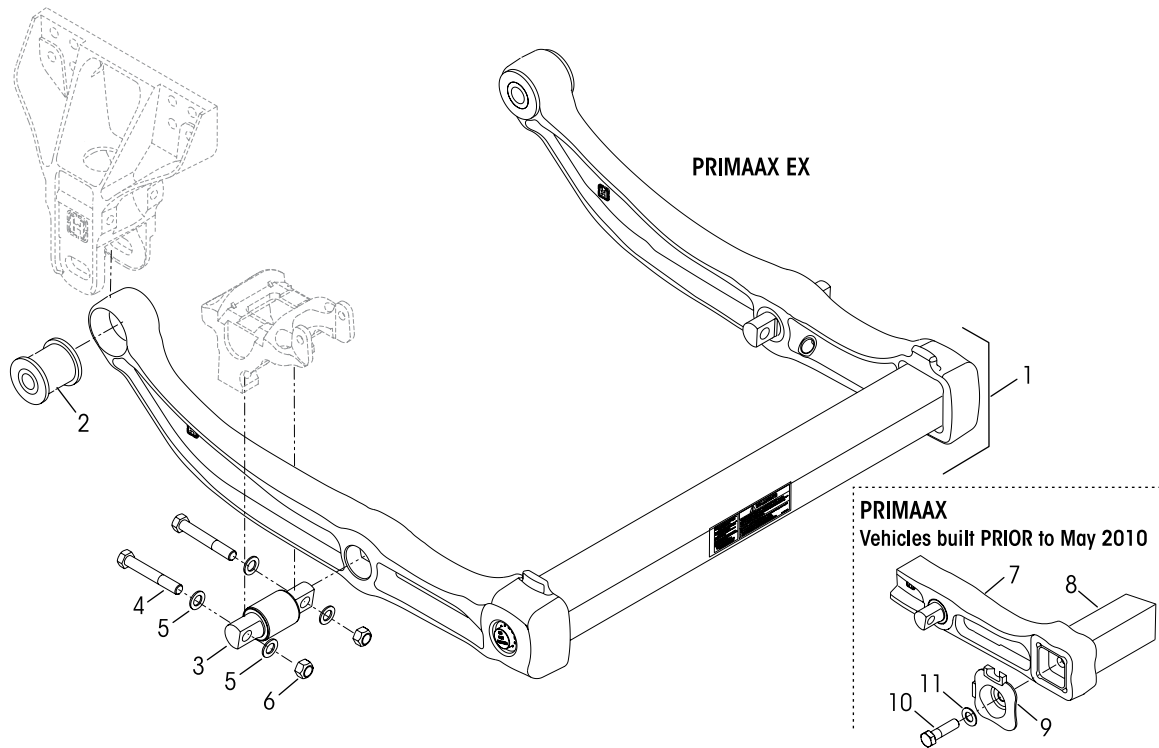
The Hendrickson **PRIMAAX EX Large Clamp Group** rear suspension single axle exploded view shown below is a guide to corresponding detailed information in this publication, reference the Key Numbers in the graphic to the corresponding Page Number in the Table for specific capacity, ride height and part numbers.

PRIMAAX EX 26K•52K•78K Shown
8½", 10" Ride Height





U-BEAM ASSEMBLY 26K•52K•78K | 26KT•52KT•78KT | 260•520•780

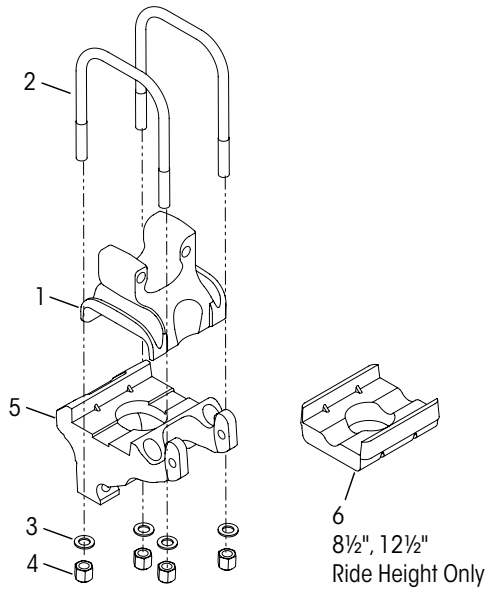


KEY NO.	PART NO.	DESCRIPTION	VEHICLE *QTY
1		U-beam Assembly, Includes Key Nos. 2-3	2
		• Front	
	67249-006	34.0" Frame Width	
	67249-014	34.3" Frame Width	
	67249-016	34.5" Frame Width	
	67249-026	34.8" Frame Width	
	67249-004	40.0" Frame Width	
		• Rear	
	67249-005	34.0" Frame Width	
	67249-013	34.3" Frame Width	
	67249-015	34.5" Frame Width	
	67249-025	34.8" Frame Width	
	67249-003	40.0" Frame Width	
2		**QUIK-ALIGN Pivot Bushing	4
		Single D-pin Bushing Service Kit	
	34013-117	Includes Key Nos. 3, 4a-6a	
	34013-114	Includes Key Nos. 3, 4b-6b	
	34013-477	Includes Key Nos. 3, 4c, 5b-6b	
	34013-478	Includes Key Nos. 3, 4d 5b-6b	
	34013-479	Includes Key Nos. 3, 4e, 5b-6b	
3		**D-pin Bushing	4
		D-pin Fastener Service Kit, Axle Set	
	56659-012	Includes Key Nos. 4a-6a	
	56659-010	Includes Key Nos. 4b-6b	
	56659-031	Includes Key Nos. 4c, 5b-6b	
	56659-030	Includes Key Nos. 4d 5b-6b	
	56659-032	Includes Key Nos. 4e, 5b-6b	

KEY NO.	PART NO.	DESCRIPTION	VEHICLE *QTY
4		**Bolt	8
	a	3/4"-16 UNF x 4 3/4"	
	b	7/8"-14 UNF x 5"	
	c	7/8"-14 UNF x 4 3/4"	
	d	7/8"-14 UNF x 4 1/2"	
	e	7/8"-14 UNF x 5 1/2"	
5		**Flat Washer	16
	a	3/4"	
	b	7/8"	
6		**Locknut	8
	a	3/4"-16 UNF	
	b	7/8"-14 UNF	
7		****Support Beam Assembly (66435-XXX, see Replacement Guide on Page 22)	
8		****Cross Tube (60912-001, see Replacement Guide on Page 22)	
	46772-001	End Cap and Fastener Kit, Axle Set, (Vehicles built prior to May 2010) Includes Key Nos. 9-11	
9		**End Cap	4
10		**7/8"-9 UNC x 3 1/2" Hex Bolt	4
11		**7/8" Hendrickson Coated Flat Washer	4



CLAMP GROUP 26K•52K•78K | 26KT•52KT•78KT | 260•520•780



KEY NO.	PART NO.	DESCRIPTION	VEHICLE *QTY
1		Top Pad	4
	65210-XXX	Equipped with Drum Brake, <i>See illustration on Page 15</i>	
	91565-XXX	Equipped with Air Disc Brake, <i>See Selection Guide on Page 16</i>	
U-bolt Service Kit, One Wheel End, Includes Kit No. 48718-501			
	91430-042	Includes Key Nos. 2a	
	91430-043	Includes Key Nos. 2b	
	91430-060	Includes Key Nos. 2c	
	91430-045	Includes Key Nos. 2d	
2		**3/4" Square U-bolt	8
		• 10", 14 3/8", 15 1/2" Ride Height	
a		10" Length, Outboard	
b		10 1/2" Length, Inboard	
		• 8 1/2", 12 1/2" Ride Height	
c		11 1/2" Length, Outboard	
d		12" Length, Inboard	
	48718-501	U-bolt Fasteners Service Kit, One Wheel End, Includes Key Nos. 3-4	
3		**3/4" Flat Washer	16
4		**3/4"-16 UNF U-bolt Locknut	16
5	65208-XXX	Bottom Cap - Front and Rear <i>See Selection Guide on Page 15 and 16</i>	4
6		Axle Spacer, 8 1/2", 12 1/2" Ride Height Only <i>See Selection Guide on Page 15</i>	4

LONGITUDINAL TORQUE RODS 26K•52K•78K | 26KT•52KT•78KT | 260•520•780

Equipped with Drum Brake		
Pinion Angle	*Longitudinal Torque Rod Assembly Part No.	
	Left	Right
1.0-2.0	65302-455A	65302-455B
2.5-3.0	65302-470A	65302-470B
3.5-4.0	65302-475A	65302-475B
9.0-9.5	65302-510A	65302-510B
10.0-10.5	65302-515A	65302-515B
11.0-11.5	65302-520A	65302-520B

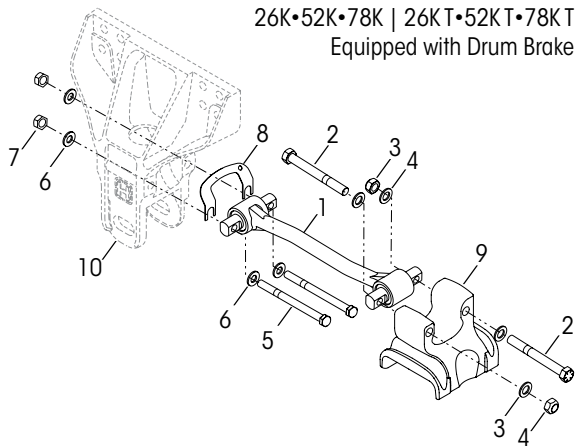
NOTE: ♦ Non-serviceable torque rod bushings, requires replacement of complete torque rod assembly with bushings.

Equipped with Air Disc Brake		
Pinion Angle	Longitudinal Torque Rod Assembly Part No.	
	Left	Right
2.0-3.5	66359-650A	66359-650B
4.0-5.5	66359-660A	66359-660B
**2.0-3.5	66359-670A	66359-670B
10.0-10.5	66359-585A	66359-585B
11.0-11.5	66359-590A	66359-590B
12.0-12.5	66359-595A	66359-595B
**11.0-11.5	66359-600A	66359-600B

NOTE: ♦♦ Pierce

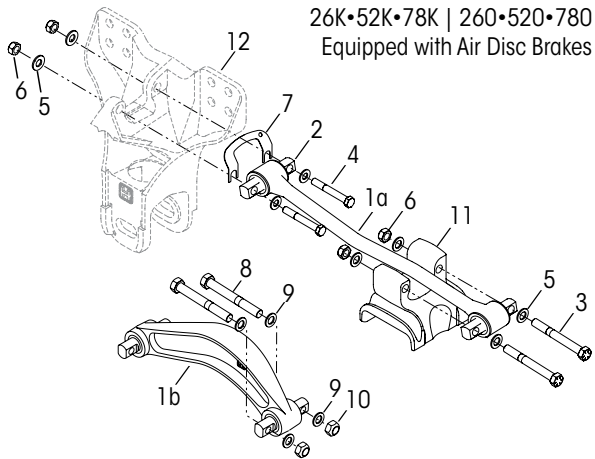


LONGITUDINAL TORQUE RODS 26K•52K•78K | 26KT•52KT•78KT | 260•520•780



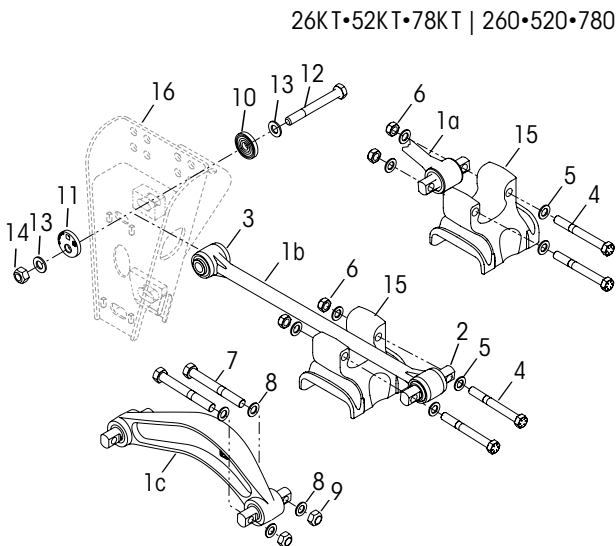
26K•52K•78K | 26KT•52KT•78KT
Equipped with Drum Brake

KEY NO.	PART NO.	DESCRIPTION	VEHICLE *QTY
1	65302-XXX	ULTRA ROD® Longitudinal Torque Rod Assembly <i>See Selection Guide Page 13</i>	4
	49176-031	Longitudinal Torque Rod Fastener Service Kit, Axle Set, Includes Key Nos. 2-7	
	49176-032	Axle Set, Includes Key Nos. 5-7	
2		**3/4"-16 UNF x 6" Hex Bolt	8
3		**3/4" Flat Washer	16
4		**3/4"-16 UNF Locknut	8
5		**5/8"-11 UNC-2B x 8" Bolt	8
6		**3/8" Flat Washer	16
7		**5/8"-11 UNC-2A Locknut	8
8	49689-000L	Shim	As Req.
9	65210-XXX	Top Pad, <i>See illustration on Page 15</i>	4
10		Frame Hanger, <i>See Page 18 for applicable configuration per suspension capacity and ride height</i>	4



26K•52K•78K | 260•520•780
Equipped with Air Disc Brakes

1		Longitudinal Torque Rod Assembly	4
a	66359-XXX	<i>See Selection Guide Page 13</i>	
b	91277-XXX	<i>See Selection Guide on Page 16</i>	
2	69210-000L	Bushing - Straddle Bar Pin (3/4" Holes)	8
	49176-017	Longitudinal Torque Rod Fastener Kit, Axle Set Includes Key No. 3-6	
3		**3/4"-16 UNF 6" Hex Bolt	8
4		**3/4"-16 UNF 3 3/4" Hex Bolt	8
5		**3/4" Flat Washer	32
6		**3/4"-16 UNF Locknut	16
7	49689-000L	Shim	As Req.
8	32043-XXX	**5/8" Hex Bolt, <i>See Selection Guide on Page 16</i>	8
9	22962-004	**5/8" Flat Washer	16
10	47764-000	**5/8" Locknut	8
11	91565-XXX	Top Pad, <i>See Selection Guide on Page 16</i>	4
12		Frame Hanger, <i>See Page 18 for applicable configuration per suspension capacity and ride height</i>	4



26KT•52KT•78KT | 260•520•780

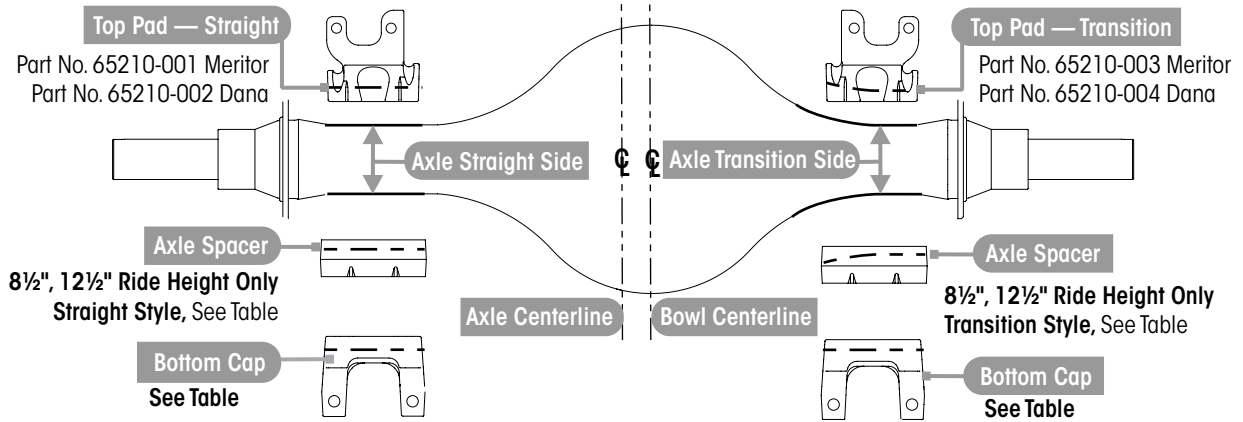
1		Longitudinal Torque Rod Assembly	4
a	65285-620	Rear Tandem Axle	
b	65285-685	Front Tandem and Single Axle	
c	91277-XXX	<i>See Selection Guide on Page 16</i>	
2	69210-000L	Torque Rod Bushing - Straddle	4
3	47692-000	Torque Rod Bushing - Thru Hole	4
	49176-024	Longitudinal Torque Rod Fastener Kit, Axle Set, Includes Key No. 4-6	
4		**3/4"-16 UNF x 6" Hex Bolt	8
5		**3/4" Flat Washer	16
6		**3/4"-16 UNF Locknut	8
7	32043-XXX	**5/8" Hex Bolt, <i>See Selection Guide on Page 16</i>	8
8	22962-004	**5/8" Flat Washer	16
9	47764-000	**5/8" Locknut	8
	58821-011	Torque Rod QUIK-ALIGN Collar Bolt Service Kit, One Wheel End, Includes Key Nos. 10-14	
10		**Torque Rod QUIK-ALIGN Concentric Collar	4
11		**Torque Rod QUIK-ALIGN Eccentric Collar	4
12		**7/8"-9 UNC x 7 1/2" Hex Bolt	4
13		**7/8" Hendrickson Coated Flat Washer	8
14		**7/8"-9 UNC Hendrickson Coated Locknut	4
15		Top Pad	4
	65210-XXX	Equipped with Drum Brake, <i>See illustration on Page 15</i>	
	91565-XXX	Equipped with Air Disc Brake, <i>See Selection Guide on Page 16</i>	
16		Frame Hanger, <i>See Page 18 for applicable configuration per suspension capacity and ride height</i>	4



Top Pad • Axle Spacer • Bottom Cap

Equipped with Drum Brakes

PRIMAAX EX 26K • 52K • 78K | 26KT • 52KT • 78KT | PRIMAAX 260 • 520 • 780



BOTTOM CAP PART NUMBER

Axle Manufacturer	Beam Centers	TANDEM						SINGLE		
		Straight Side		Transition Side				Straight Side	Transition Side	
		Ride Height		Ride Height		Ride Height			Ride Height	Ride Height
		8½", 12½", 10", 12", 14⅜", 15½"		8½", 12½"		10", 12", 14⅜", 15½"		8½", 12½", 10", 12", 14⅜", 15½"		
Front	Rear	Front	Rear	Front	Rear	Front	Rear	Front	Rear	
Meritor	40.0"					65208-106	65208-109			65208-105
	40.5"	65208-101	65208-103	65208-101	65208-103	67913-006	67913-009	65208-101	65208-101	67913-005
	40.8"					67913-106	67913-109			67913-105
Dana	40.0"					65208-108	65208-111			65208-107
	40.5"	65208-102	65208-104	65208-102	65208-104	67913-008	67913-011	65208-102	65208-102	67913-007
	40.8"					67913-108	67913-111			67913-107

AXLE SPACER PART NUMBER

Axle Manufacturer	Beam Centers	Ride Height						Ride Height		
		8½", 12½"		8½", 12½"		10", 14⅜", 15½"		8½", 12½"	8½", 12½"	10", 14⅜", 15½"
		Front	Rear	Front	Rear	Front	Rear			
Meritor	40.0"			65277-000				65277-000		
	40.5"	65276-000		67973-004		Not equipped		65276-000	67973-004	Not equipped
	40.8"			67973-008				67973-008		
Dana	40.0"			65275-000				65275-000		
	40.5"	65274-000		67973-002				65274-000	67973-002	
	40.8"			67973-006				67973-006		

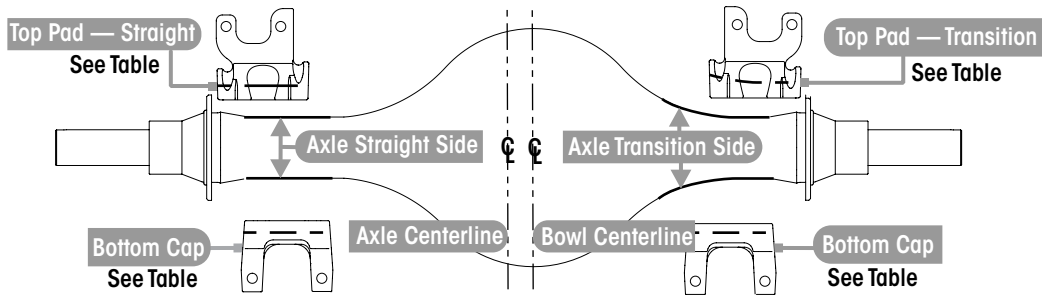


Longitudinal Torque Rod • Top Pad • Bottom Cap

Equipped with Air Disc Brakes

PRIMAAX EX 26K • 52K • 78K | 26KT • 52K T • 78K T

10", 12", 14 3/8" Ride Height



DANA AXLE

Pinion Angle	Torque Rod Spacer / Shim		Longitudinal Torque Rod	Top Pad		Bottom Cap			5/8"-11 UNC Hex Cap Screw			
	Thickness (mm)	Part No.		Qty.	Straight	Transition	Straight	Transition Left		Transition Right		
FRONT												
0.0°	1.52	49689-000	1	91277-001A Left Hand	91565-013A Left Hand	91565-033A Left Hand	65208-002	65208-007	65208-008			
0.5°	4.56									3		
1.0°	7.87	49689-000 67045-072	1									
1.5°	10.91	49689-000 67045-072	3 1									
2.0°	14.22	49689-000 67045-071	1									
2.5°	17.26	49689-000 67045-071	3 1									
3.0°	20.57	49689-000 67045-070	1									
3.5°	23.61	49689-000 67045-070	3 1									
4.0°	1.52	49689-000	1									
4.5°	4.56	49689-000	3									
5.0°	7.9	49689-000 67045-072	1	91277-002A Left Hand	91565-012A Left Hand	91565-032A Left Hand	32043-008 (4" Length)	32043-011 (5" Length)				
5.5°	10.91	49689-000 67045-072	3 1	91277-002B Right Hand	91565-012B Right Hand	91565-032B Right Hand						
6.0°	15.74	49689-000 67045-071	2 1									
6.5°	18.78	49689-000 67045-071	4 1									
REAR												
7.0	19.05	67045-070	1	91277-003A Left Hand	91565-012A Left Hand	91565-032A Left Hand	65208-004	65208-011	65208-012			
7.5	23.61	49689-000 67045-070	3 1							91277-003B Right Hand	91565-012B Right Hand	91565-032B Right Hand
8.0	26.92	49689-000 67045-069	1	91277-004A Left Hand	91565-011A Left Hand	91565-031A Left Hand	65208-004	65208-011	65208-012			
8.5°	15.74	49689-000 67045-071	2 1									
9.0°	19.05	67045-070	1									
9.5°	23.61	49689-000 67045-070	3 1									
10.0°	26.92	49689-000 67045-069	1									
10.5°	26.92	49689-000 67045-069	1									
11.0°	26.92	49689-000 67045-069	1							91277-004B Right Hand	91565-011B Right Hand	91565-031B Right Hand
11.5°	26.92	49689-000 67045-069	1									
12.0°	26.92	49689-000 67045-069	1									
12.5°	25.4	67045-069	1									
13.0°	25.4	67045-069	1									
13.5°	28.44	49689-000 67045-069	2 1									

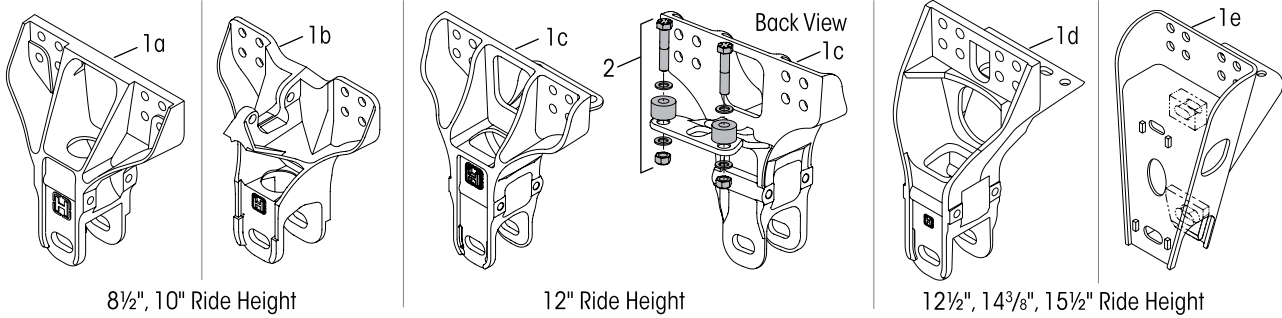


MERITOR AXLE

Pinion Angle	Torque Rod Spacer / Shim			Longitudinal Torque Rod	Top Pad		Bottom Cap			5/8"-11 UNC Hex Cap Screw
	Thickness (mm)	Part No.	Qty.		Straight	Transition	Straight	Transition Left	Transition Right	
FRONT										
0.0°	1.52	49689-000	1	91277-001A Left Hand	91565-003A Left Hand	91565-023A Left Hand	65208-001	65208-005	65208-006	32043-008 (4" Length)
0.5°	4.56	49689-000	3							
1.0°	7.87	49689-000 67045-072	1							
1.5°	10.91	49689-000 67045-072	3							
2.0°	14.22	49689-000 67045-071	1							
2.5°	17.26	49689-000 67045-071	2							
3.0°	20.57	49689-000 67045-070	1							
3.5°	23.61	49689-000 67045-070	3							
4.0°	1.52	49689-000	1							
4.5°	4.56	49689-000	3							
5.0°	7.9	49689-000 67045-072	1	91277-002A Left Hand	91565-002A Left Hand	91565-022A Left Hand	65208-001	65208-005	65208-006	32043-011 (5" Length)
5.5°	10.91	49689-000 67045-072	3							
6.0°	15.74	49689-000 67045-071	2							
6.5°	18.78	49689-000 67045-071	4							
7.0°	19.05	67045-070	1							
7.5°	23.61	49689-000 67045-070	3							
8.0°	26.92	49689-000 67045-069	1	91277-003B Right Hand	91565-002B Right Hand	91565-022B Right Hand				
8.5°	15.74	49689-000 67045-071	2	91277-004A Left Hand	91565-001A Left Hand	91565-021A Left Hand	65208-003	65208-009	65208-010	32043-011 (5" Length)
9.0°	19.05	67045-070	1							
9.5°	23.61	49689-000 67045-070	3							
10.0°	26.92	49689-000 67045-069	1							
10.5°	26.92	49689-000 67045-069	1							
11.0°	26.92	49689-000 67045-069	1							
11.5°	26.92	49689-000 67045-069	1							
12.0°	26.92	49689-000 67045-069	1							
12.5°	25.4	67045-069	1							
13.0°	25.4	67045-069	1							
13.5°	28.44	49689-000 67045-069	1	91277-004B Right Hand	91565-001B Right Hand	91565-021B Right Hand	65208-200	65208-206	65208-212	
							65208-201	65208-207	65208-213	
							65208-202	65208-208	65208-214	
							65208-203	65208-209	65208-215	
							65208-204	65208-210	65208-216	
							65208-205	65208-211	65208-217	
							65208-205	65208-211	65208-217	



FRAME HANGER



KEY NO.	PART NO.	DESCRIPTION	VEHICLE *QTY
1		Frame Hanger	4
a	67706-000	23K•46K•69K 26KS•52KS•78KS 26K•52K•78K	
b	60821-001	26K•52K•78K Air Disc Brake 260•520•780 230•460•690	
c	80033-000	23K•46K•69K 23KT•46KT•69KT 26K•52K•78K 26KT•52KT•78KT	
d		23KT•46KT•69KT 26KST•52KST•78KST 26KT•52KT•78KT	
	67299-001	Left Hand	
	67299-002	Right Hand	

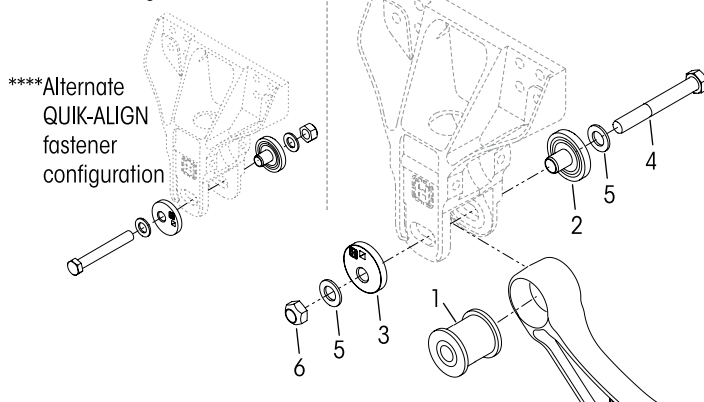
KEY NO.	PART NO.	DESCRIPTION	VEHICLE *QTY
e		26KT•52KT•78KT 230T•460T•690T	
	64451-001	Left Hand - Terex / IPI	
	64451-002	Right Hand - Terex / IPI	
	64451-003	Left Hand - Oshkosh	
	64451-004	Right Hand - Oshkosh	
2	34013-434	Kenworth Only – Frame Hanger Fasteners Kit, Axle Set	

QUIK-ALIGN® CONNECTION

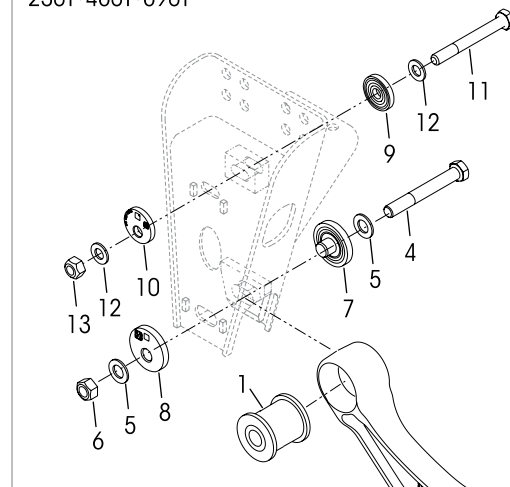
23K•46K•69K | 23KT•46KT•69KT | 230•460•690
 26K S•52K S•78K S | 26K ST•52K ST•78K ST
 26K•52K•78K | 26KT•52KT•78KT | 260•520•780

26KT•52KT•78KT equipped with Air Disc Brake
 230T•460T•690T

Alternate Configuration



****Alternate QUIK-ALIGN fastener configuration

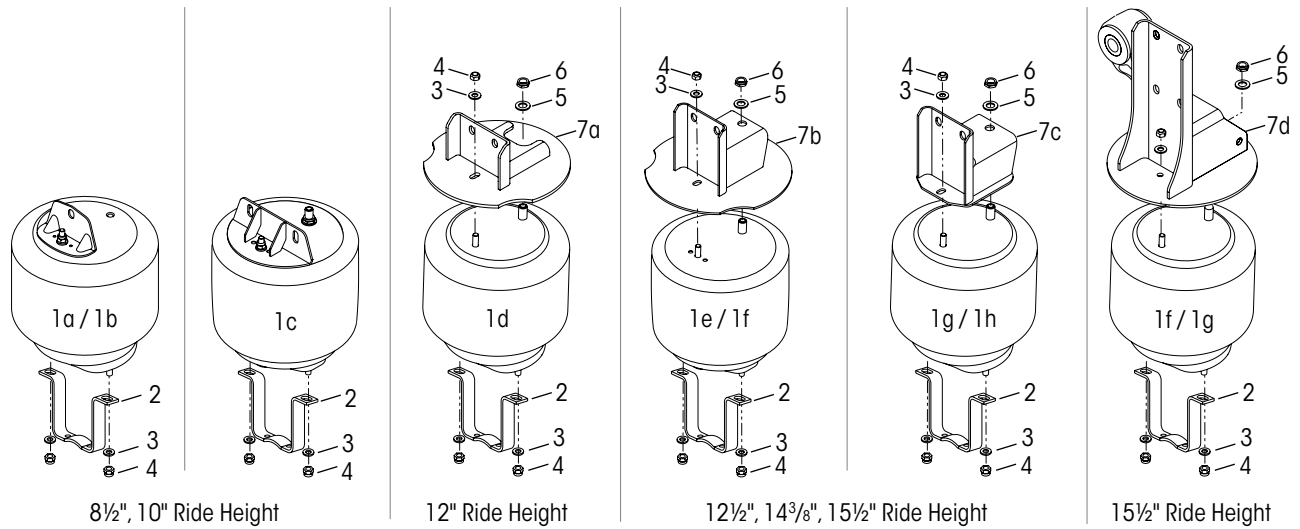


KEY NO.	PART NO.	DESCRIPTION	VEHICLE *QTY
		QUIK-ALIGN Pivot Bushing Service Kits	
	60961-720	One Wheel End, Includes Key Nos. 1-6, 14	
	60632-020	Axle Set, Includes Key Nos. 1-6, 14	
		QUIK-ALIGN Collar Service Kits	
	60632-019	One Wheel End, Includes Key Nos. 2-6 <i>Replaces 60632-006</i>	
	60632-021	Axle Set, Includes Key Nos. 2-6	
	60632-018	QUIK-ALIGN Fastener Service Kit, One Wheel End Includes Key Nos. 4-6, <i>Replaces 60632-005</i>	
1		**Pivot Bushing	4
2		**QUIK-ALIGN Concentric Collar	4
3		**QUIK-ALIGN Eccentric Collar	4

KEY NO.	PART NO.	DESCRIPTION	VEHICLE *QTY
4		**1"-1.4 UNF x 7 1/2" Hendrickson Coated Hex Bolt	4
5		**1" Hendrickson Coated Flat Washer	8
6		**1"-1.4 UNF Hendrickson Coated Locknut	4
7		**Support Beam QUIK-ALIGN Concentric Collar	4
8		**Support Beam QUIK-ALIGN Eccentric Collar	4
	58821-011	Torque Rod QUIK-ALIGN Collar Bolt Service Kit, One Wheel End, Includes Key Nos. 9-13	
9		**Torque Rod QUIK-ALIGN Eccentric Collar	4
10		**Torque Rod QUIK-ALIGN Concentric Collar	4
11		**7/8"-9 UNC x 7 1/2" Hex Bolt	4
12		**7/8" Hendrickson Coated Flat Washer	8
13		**7/8"-9 UNC Hendrickson Coated Locknut	4
14	70867-001	P-80 Lubricant - 10 ml (Not Shown) per Bushing 1	



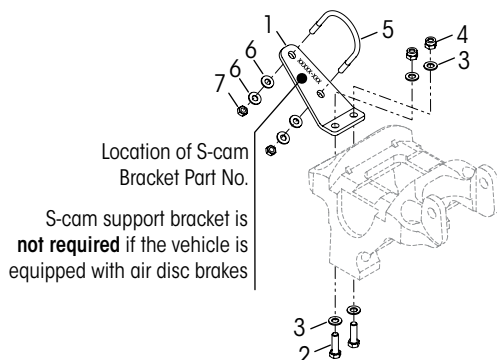
AIR SPRING



KEY NO.	PART NO.	DESCRIPTION	VEHICLE *QTY
Single Air Spring Service Kit			
	60961-230	Includes Key Nos. 1a, 2-4	
	60961-062	Includes Key Nos. 1b, 2-4	
	60961-744	Includes Key Nos. 1c, 2-4	
	60961-227	Includes Key Nos. 1f, 2-6	
	60961-231	Includes Key Nos. 1g, 2-6	
	60961-124	Includes Key Nos. 1h, 2-6	
1		Air Spring Assembly with Upper Bracket	4
a	67043-002L	23K•46K•69K, Includes Key Nos. 3-4	
b	60271-002L	230•460•690, Includes Key Nos. 3-4	
c	67247-002L	26KS•52KS•78KS 26K•52K•78K, Includes Key Nos. 3-6	
c	66255-002L	260•520•780, Includes Key Nos. 3-6	
d	91473-002L	23K•46K•69K 26KS•52KS•78KS Includes Key Nos. 1f, 3-6, 7a	
	93745-002	23K•46K•69K, 12" Ride Height, Includes Key Nos. 1f, 3-6, 7a	
	91619-002	26K•52K•78K, 12" Ride Height, Includes Key Nos. 1g, 3-6, 7a	
	94323-002	23KT•46KT•69KT, 14 1/2" Ride Height, Includes Key Nos. 1f, 3-6, 7d	
e	78761-001L	26KST•52KST•78KST, Includes Key Nos. 3-6, 7b	
		Air Spring Only	
f	67391-002L	23KT•46KT•69KT	
g	67044-002L	23KT•46KT•69KT 26KST•52KST•78KST 26K•52K•78K	
h	65032-002L	230T•460T•690T	

KEY NO.	PART NO.	DESCRIPTION	VEHICLE *QTY
Single Air Spring Fastener Service Kit			
	49177-006	Lower, Includes Key Nos. 3-4	
	49177-023	Upper/Lower, Includes Key Nos. 3-6	
	49177-052	Lower, Includes Key Nos. 2-4	
2	60911-002	Lower Air Spring Mounting Bracket	4
3		**1/2" Flat Washer	8
4		**1/2"-13 UNC Locknut	8
5		**3/4" Flat Washer	4
6		**3/4"-16 UNF Locknut	4
7		Upper Air Spring Bracket	4
a	65031-013	12" Ride Height, 23K•46K•69K	
	65031-014	12" Ride Height, 26K•52K•78K	
b		26KT•52KT•78KT	
	65031-008	12 1/2", 14 3/8" Ride Height	
	65031-009	15 1/2" Ride Height	
c		23KT•46KT•69KT	
	65031-003	12 1/2", 14 3/8" Ride Height	
	65031-004	15 1/2" Ride Height	
		230T•460T•690T	
	65031-008	14 3/8" Ride Height, <i>Replaces 65031-001</i>	
	65031-002	15 1/2" Ride Height	
d		Kenworth Vehicles Only	
	69932-002	23KT, 15 1/2" Ride Height	
	69932-003	26KT, 15 1/2" Ride Height	
	69932-004	23KT•46KT•69KT, 14 1/2" Ride Height	

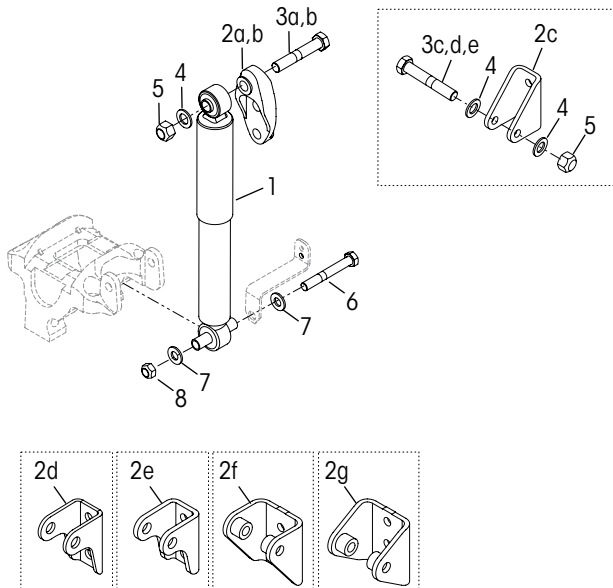
S-CAM BRACKET ASSEMBLY



KEY NO.	PART NO.	DESCRIPTION	VEHICLE *QTY
1	64508-XXX	S-cam Support Bracket, <i>Locate Part No. on Component</i>	4
S-cam Fastener Service Kit, Includes Key Nos. 2-7			
	58821-017	Axle Set	
	58821-049	One Side	
2		**3/8"-16 UNC x 1 1/4" Hex Bolt	8
3		**3/8" Hardened Washer	16
4		**3/8"-16 UNC Locknut	8
5		**3/16" S-Cam U-bolt	4
6		**5/16" Hardened Washer	16
7		**5/16"-18 UNC Locknut	8

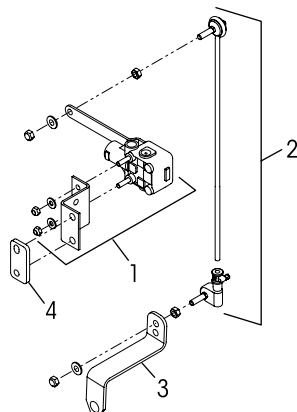


SHOCK ABSORBER



KEY NO.	PART NO.	DESCRIPTION	VEHICLE *QTY
1		Shock Absorber	4
a	60657-003L	• Small Clamp Group 8½"-10", 12½"-15½" Ride Height	
	60657-005L	Tridem Only, Kenworth	
	60665-011L	12" Ride Height	
	60665-014L	8½"-10", 12½"-15½" Ride Height with Disc Brakes	
	60657-017L	10" Ride Height, except Tridem, Kenworth	
	60657-018L	12" Ride Height, 52K S	
	60665-013L	• Large Clamp Group 8½"-10", 12½"-15½" Ride Height	
	60665-015L	8½"-10", 12½"-15½" Ride Height with Disc Brakes	
	60665-018L	12" Ride Height with Drum Brakes	
b	70807-001L	High Temperature (if equipped, not shown)	
2		Upper Shock Frame Bracket	4
a	67463-002	Standard Cast	
b	78250-002	High Strength Cast, <i>use with 1b</i>	
c	59423-001	Standard Fabricated Clevis	
d	59423-006	Oshkosh	
e	59423-030	12" Ride Height	
f	78896-001	High Strength Clevis, High Mount, <i>use with 1b</i>	
g	78896-002	High Strength Clevis, Low Mount, <i>use with 1b</i>	
		Single Shock Absorber Fastener Service Kit	
	34013-327	¾" Bolt, Includes Key Nos. 3a, 4-5, 6a, 7-8	
	50754-063	¾" Bolt, Includes Key Nos. 3a, 4-5, 6b, 7-8	
	50754-030	¾" Bolt, Includes Key Nos. 3b, 4-5, 6a, 7-8	
	50754-029	¾" Bolt, Includes Key Nos. 3b, 4-5, 6b, 7-8	
	34013-445	5" Bolt, Includes Key Nos. 3c, 4-5, 6a, 7-8	
	34013-446	6½" Bolt, Includes Key Nos. 3d, 4-5, 6a, 7-8	
	34013-447	4½" Bolt, Includes Key Nos. 3e, 4-5, 6a, 7-8	
3		**Upper Shock Bolt ¾"-10 UNC	4
a		¾" Length, <i>use with 2b</i>	
b		4¼" Length, <i>use with 2a,b</i>	
c		5" Length, <i>use with 2c</i>	
d		6½" Length, <i>use with 2d,e</i>	
e		4½" Length, <i>use with 2f,g</i>	
4		**¾" Flat Washer	As Req.
5		**¾"-10 UNC Locknut	4
6		**Lower Shock Bolt ¾"-11 UNC	4
a		6" Length	
b		7" Length	
7		**5/8" Flat Washer	8
8		**5/8"-11 UNC-2B Locknut	4

HEIGHT CONTROL VALVE ASSEMBLY

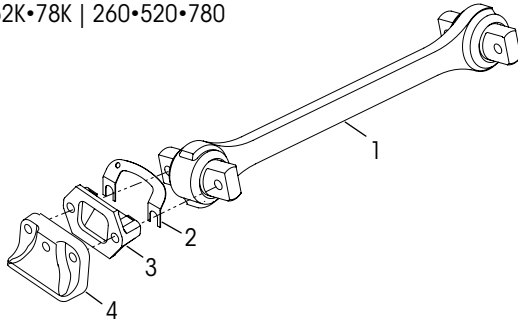


KEY NO.	PART NO.	DESCRIPTION	VEHICLE *QTY
		Height Control Valve Assembly Service Kit	
	58525-021	Includes Key Nos. 1, 2a, 3	
	58525-020	Includes Key Nos. 1, 2b, 3	
	58525-019	Includes Key Nos. 1, 2c, 3	
	58525-056	Includes Key Nos. 1, 2d, 3	
	58525-057	Includes Key Nos. 1, 2e, 3	
1	57977-000	Height Control Valve Assembly	1
2		HCV Linkage Assembly	1
a	58994-031	7.48" Length, Terex Only	
b	58994-015	8.27" Length	
c	58994-005L	14.84" Length	
d	58994-055	17.25" Length	
e	58994-029	20.24" Length	
3	60921-000	Height Control Valve Linkage Bracket	1
4	94115-000	¼" Spacer, Oshkosh Only	

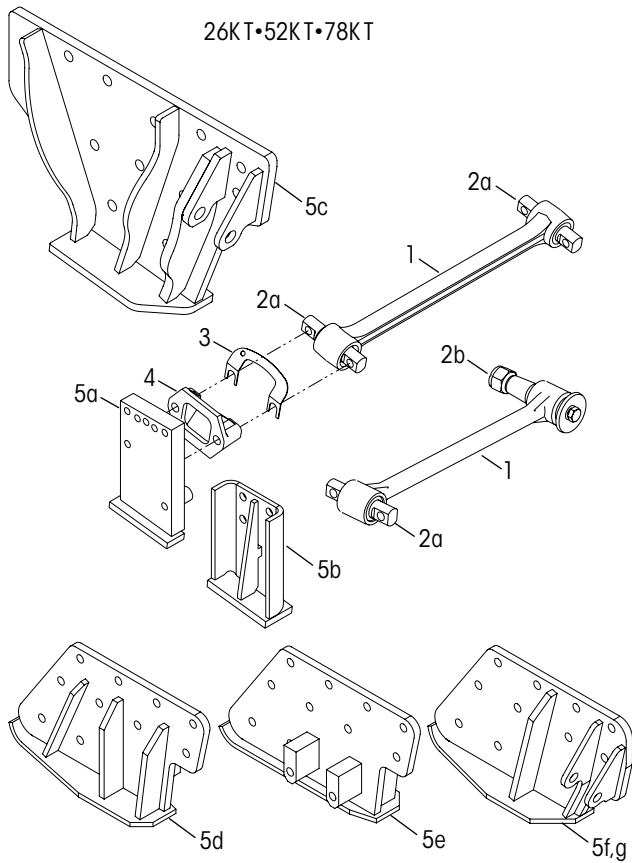


TRANSVERSE TORQUE RODS

26K•52K•78K | 260•520•780



KEY NO.	PART NO.	DESCRIPTION	VEHICLE *QTY
1	8240-0000-XXX	***TRAAX ROD® Transverse Rod Assembly, Includes Bushings, Specify length in mm <i>Replaces 72000-XXXS</i>	2
2	49689-000L	Shim	As Req.
3	22186-000	Transverse Torque Rod Frame Bracket	2
4	60593-000L	Frame Mounted Axle Stop	4



KEY NO.	PART NO.	DESCRIPTION	VEHICLE *QTY
1	824X-XXXX-XXX	***TRAAX ROD Transverse Torque Rod Assembly, Includes Bushings, Specify length in mm <i>Straddle/Straddle, Replaces 62000-XXX</i>	2
2	824X-XXXX-XXX	<i>Straddle/Taper, Replaces 62250-XXX</i>	
3	49689-000L	Shim	As Req.
4	22186-000	Transverse Torque Rod Frame Bracket	2
5		Axle Stop, Frame Mounted	4
a		• Oshkosh Vehicles	
	64696-002	Right Hand Rear	
	64696-003	Left Hand Front	
b		• Indiana Phoenix, Oshkosh Vehicles	
	64692-001	Left Hand Rear	
	64692-004	Right Hand Front- Oshkosh	
	64692-006	Right Hand Front- Indiana Phoenix	
c		• Oshkosh Vehicles, <i>Not interchangeable with 5a,b</i>	
	77773-001	Right Hand Rear	
	77773-002	Left Hand Front	
		• Kenworth Vehicles	
d	70171-000	Left Hand Front	
e	70172-000	Right Hand Front	
f	70173-000	Left Hand Rear, Includes Upper Shock Bracket	
g	70174-000	Right Hand Rear, Includes Upper Shock Bracket	

NOTES: * Quantities specified are shown for tandem suspension. Adjust quantities for single or tridem suspensions. Quantities of service kit components may vary from amount shown in lists.

** Item included in kit / assembly only, part not sold separately.

*** Transverse torque rods are mandatory for the PRIMAAX EX • PRIMAAX suspensions regardless of axle spacing, see Literature Nos. 59310-004 and 59310-058 for more information. TRAAX ROD bushings are non-serviceable, the entire torque rod assembly requires replacement. Visit the TRAAX ROD website: www.traaxrods.com for more information.

**** Alternate configuration of the QUIK-ALIGN fasteners. The locknuts located inboard will allow additional clearance for wider tires or tires with chains. Tightening is still required ONLY on the locknut.

***** No longer available for service, see Replacement Guide on Page 22. For more information, refer to Hendrickson Technical Bulletin Literature No. SEU-0229 or contact Hendrickson Tech Services.



■ Support Beam and Cross Tube Replacement Selection Guide
(Vehicles Built prior to May 2010)

Vehicle Manufacturer	Ride Height	Drive Axle	Frame Width+	DISCONTINUED May 2010		Current	
				Support Beam Assembly Part Number	Cross Tube Part Number	U-beam Assembly Service Kit Number	
				60831-00X • 66435-00X	60912-XXX	60961-XXX	
				LEFT HAND	RIGHT HAND		
PRIMAAX 230 • 460 • 690 230 T • 460 T • 690 T							
Volvo • Mack	8.5"-10.0"	Forward	33.5"	-003	-004	-005	-237
		Rear		-001	-002		-238
Kenworth • Western Star	8.5"-10.0"	Forward	34.0"	-003	-004	-001	-235
		Rear		-001	-002		-236
Freightliner • Sterling • Autocar	8.5"-10.0"	Forward	34.3"	-003	-004	-003	-241
		Rear		-001	-002		-242
Freightliner • Sterling	8.5"-10.0"	Forward	34.5"	-003	-004	-002	-239
		Rear		-001	-002		-240
International	8.5"-10.0"	Forward	34.3"	-003	-004	-003	-261
		Rear		-001	-002		-262
		Forward	34.5"	-003	-004	-002	-263
		Rear		-001	-002		-264
		Forward	34.8"	-003	-004	-009	-243
		Rear		-001	-002		-244
Fire / Rescue (Except Spartan)	8.5"-10.5"	Forward	34.0"	-003	-004	-001	-267
		Rear		-001	-002		-268
IPI • Advance • Oshkosh • Fire / Rescue	12.5"-15.5"	Forward	34.0"	-003	-004	-001	-247++
		Rear	<i>Fab Hanger</i>	-001	-002		-248++
PRIMAAX 260 • 520 • 780							
Kenworth • Western Star • Fire / Rescue (Except Spartan)	8.5"-10.0"	Forward	34.0"	-007	-008	-001	-253
		Rear		-005	-006		-254
		+++		-001	-002		-718++
Freightliner	8.5"-10.0"	Forward	34.3"	-007	-008	-003	-257
		Rear		-005	-006		-258
		Forward	34.5"	-007	-008	-002	-255
		Rear		-005	-006		-256
All 12.5"-15.5" ride height suspensions, including Fire / Rescue	12.5"-15.5"	Forward	34.0"	-003	-004	-001	-269++
		Rear		-001	-002		-270++

NOTE: + Contact the vehicle manufacturer to verify frame width.

++ Upper air spring bracket not included. The original bracket equipped on this vehicle can be used with the new air spring assembly included in the U-beam assembly service kit.

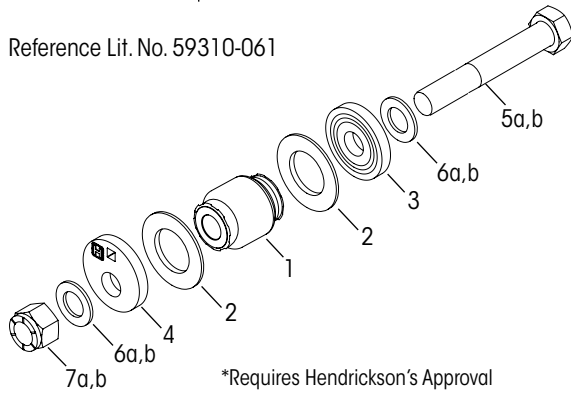
+++ PRIMAAX 260 single axle only. Use with Dana S26-190 axle.



■ Severe Service Kits

Severe Service Kit | QUIK-ALIGN Pivot Bushing, Axle Set
No. 60632-043 | 1" Fasteners
No. 60632-033 | *1 ¼" Fasteners

Reference Lit. No. 59310-061



PRIMAAX EX • PRIMAAX Service Kit Nos.

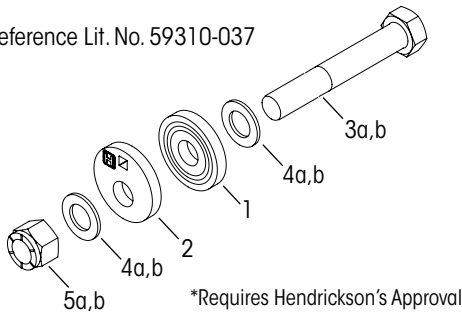
60632-043 – 1" Fasteners, Includes Key Nos. 1-4, 5a-7a, 8

***60632-033 – 1 ¼" Fasteners, (Requires Hendrickson Approval)**
 Includes Key Nos. 1-4, 5b-7b, 8

KEY NO.	CONTENTS	KIT QTY.
1	QUIK-ALIGN Pivot Bushing	2
2	Confinement Washer	4
3	QUIK-ALIGN Concentric Collar	2
4	QUIK-ALIGN Eccentric Collar	2
5a	1"-14 UNF x 7½" Bolt	2
b	1¼"-12 UNF x 8" Bolt	2
6a	1" Hardened Washer	4
b	1¼" Hardened Washer	4
7a	1"-14 UNF Nylocknut	2
b	1¼"-12 UNF Nylocknut	2
8	P-80 Bushing Lubricant - 10 ml. (per Bushing 1)	2

Severe Service Kit | QUIK-ALIGN Collar, Axle Set
No. 60632-021 | 1" Fasteners
No. 60632-015 | *1 ¼" Fasteners

Reference Lit. No. 59310-037



PRIMAAX EX • PRIMAAX Service Kits

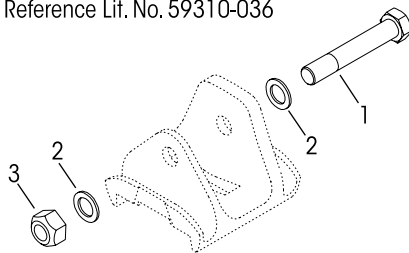
60632-021 – 1" Fasteners, Includes Key Nos. 1-2, 3a-5a

60632-015 – 1 ¼" Fasteners, (Requires Hendrickson Approval)
 Includes Key Nos. 1-2, 3b-5b

KEY NO.	CONTENTS	KIT QTY.
1	QUIK-ALIGN Concentric Collar	2
2	QUIK-ALIGN Eccentric Collar	2
3a	1"-14 UNF x 7½" Bolt	2
b	1¼"-12 UNF x 8" Bolt	2
4a	1" Hardened Washer	4
b	1¼" Hardened Washer	4
5a	1"-14 UNF Nylocknut	2
b	1¼"-12 UNF Nylocknut	2

Severe Service Kit | Top Pad Fasteners
No. 58821-026 | Axle Set

Reference Lit. No. 59310-036



PRIMAAX 230 • 460 • 690 | 230T • 460T • 690T

8½", 10", 12½", 14¾", 15½" Ride Height, Does not include Top Pad

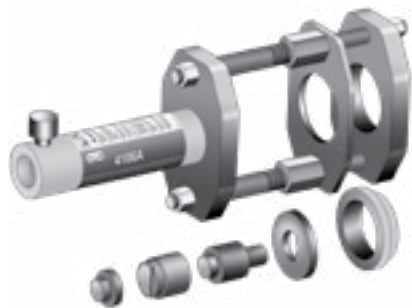
Service Kit 58821-026

KEY NO.	CONTENTS	KIT QTY.
1	M24 x 3-6G Hendrickson Coated Hex Bolt	2
2	M24 Hardened Washer	4
3	M24 x 3-6H Locknuts	2

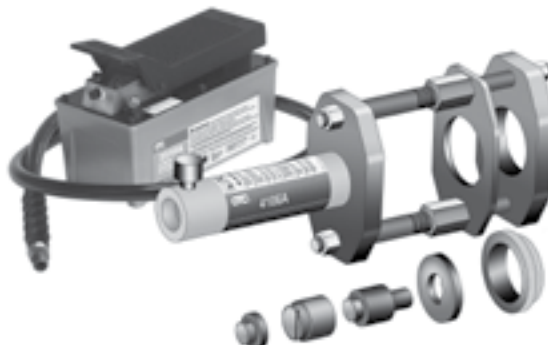
■ Special Tools

D-PIN / QUIK-ALIGN PIVOT BUSHING SERVICE TOOLS

OTC Part No. 4246 Visit otctools.com



OTC Part No. 4247 Visit otctools.com



QUIK-ALIGN PIVOT BUSHING SERVICE TOOL

Hendrickson Part No. 66086-203L

Reference Literature No. 59310-061



QUIK-ALIGN SOCKET TOOL

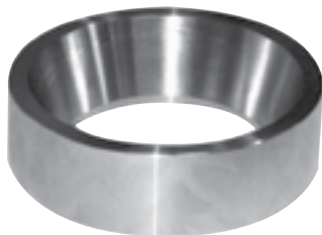
OTC Part No. 1767

Visit otctools.com



ULTRA ROD TORQUE ROD BUSHING FUNNEL TOOL

Hendrickson Part No. 66086-001L



This is a general parts list to provide directional information. Components may vary by model. Questions in regards to parts, contact Hendrickson Truck Parts at 1.866.755.5968 (Toll-free U.S. and Canada), 630.910.2800 (Outside U.S. and Canada) or email: truckparts@hendrickson-intl.com during normal business hours. Actual product performance may vary depending upon vehicle configuration, operation, service and other factors. All applications must comply with applicable Hendrickson specifications and must be approved by the respective vehicle manufacturer with the vehicle in its original, as-built configuration. Contact Hendrickson for additional details regarding specifications, applications, capacities, and operation, service and maintenance instructions.

Call Hendrickson at 1.866.755.5968 (toll-free) or 1.630.910.2800 for additional information.



www.hendrickson-intl.com

TRUCK COMMERCIAL VEHICLE SYSTEMS
 800 South Frontage Road
 Woodridge, IL 60517-4904 USA
 1.866.755.5968 (Toll-free U.S. and Canada)
 1.630.910.2800 (Outside U.S. and Canada)
 Fax 1.630.910.2899

SP-164 Rev O 06-24

© 2003 – 2024 Hendrickson USA, L.L.C. All Rights Reserved. All trademarks shown are owned by Hendrickson USA, L.L.C., or one of the affiliates, in one or more countries. Information contained in this literature was accurate at the time of publication. Product changes may have been made after the copyright date that are not reflected.

Printed in United States of America