

H PARTS LIST

SOFTEK® Front Suspension with STEERTEK™ NXT Axle for Peterbilt Vehicles

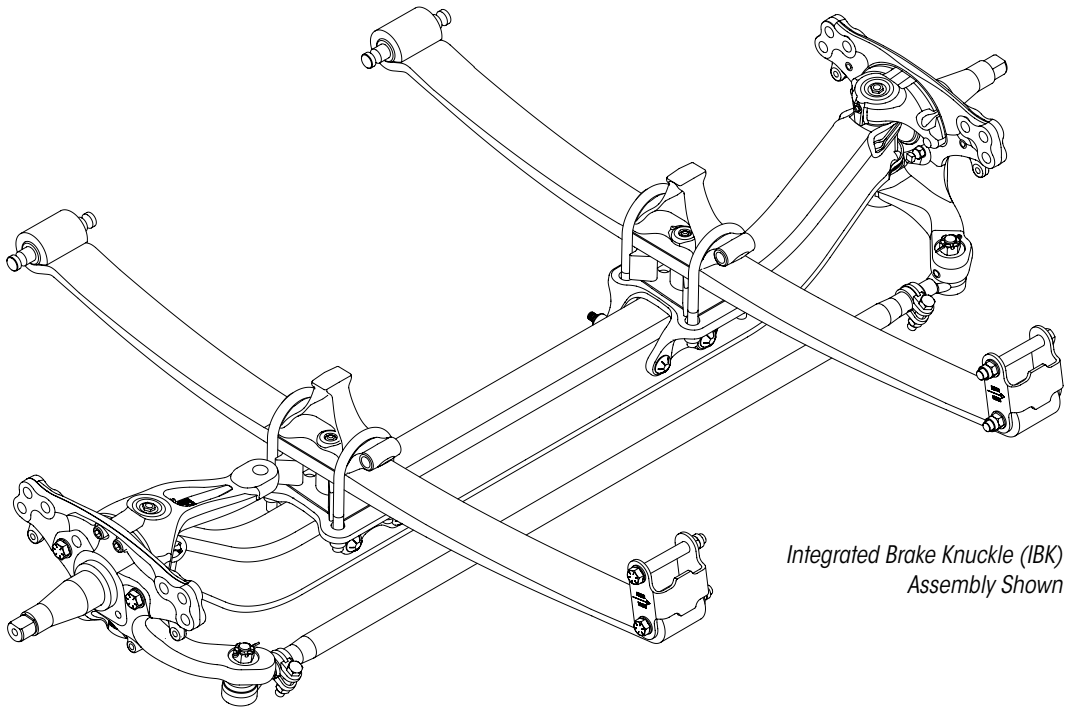
LIT NO: SP-367

DATE: April 2026

REVISION: A

CONTENTS

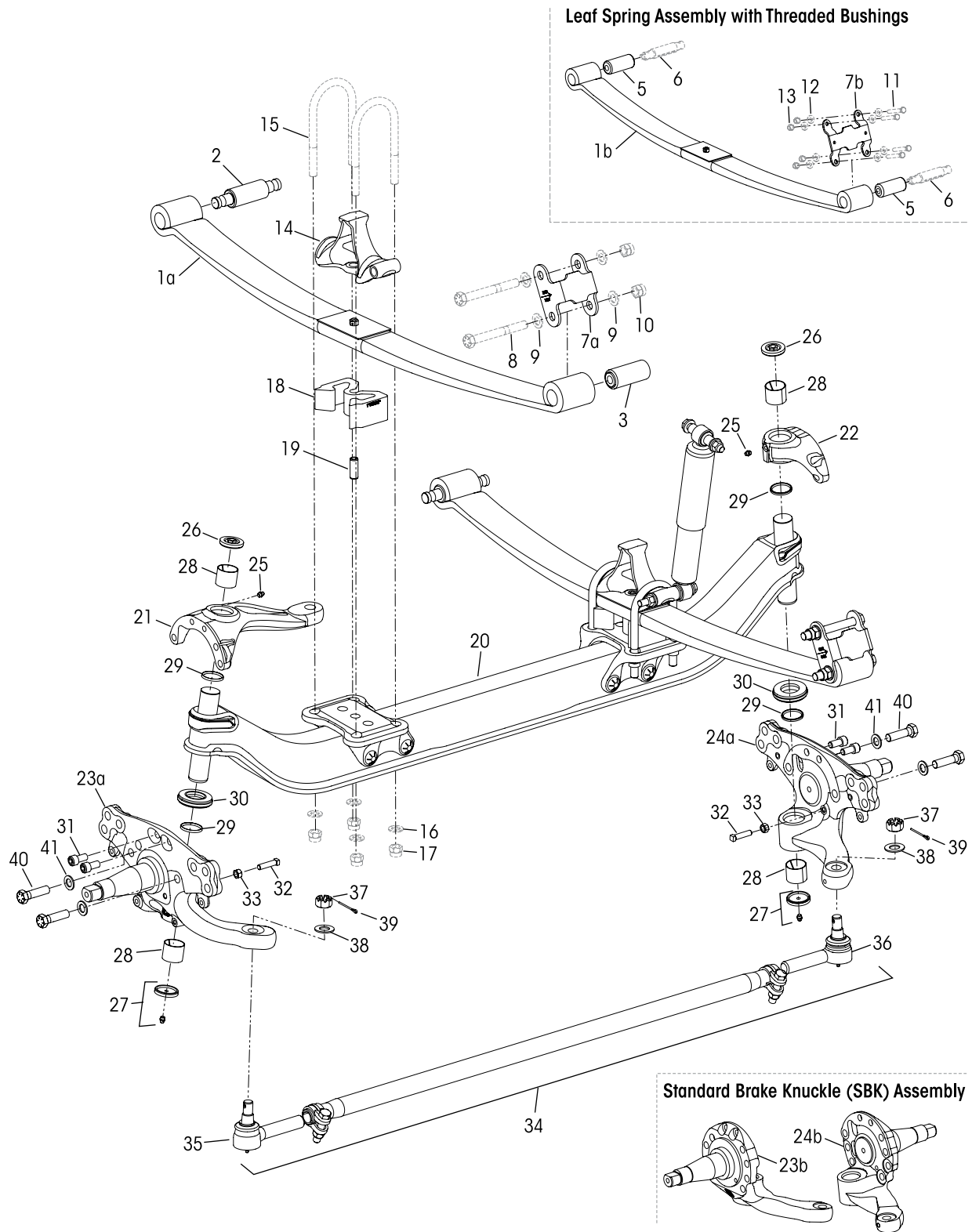
DESCRIPTION	PAGE
Parts List	2
Notes	3
Selection Guides	4
Special Tools	5



*Integrated Brake Knuckle (IBK)
Assembly Shown*



12.5K • 13.2K Pound Capacity





SOFTEK® Front Suspension for Peterbilt Vehicles

KEY NO.	PART NO.	DESCRIPTION	VEHICLE QTY.	KEY NO.	PART NO.	DESCRIPTION	VEHICLE QTY.
1		Leaf Spring Assembly	2	23		Left Hand Lower Steering Knuckle Assembly, <i>see Selection Guide on Page 4</i>	
a	83037-000	• with Rubber Bushing, Includes Key Nos.2-3 12.5K Capacity		a	80029-XXX	• with Integrated Brake Knuckle Assembly Includes Key Nos. 27-29, 32-33, 40-41	
	83038-000	13.2K Capacity		b	93945-XXX	• with Standard Brake Knuckle Assembly Includes Key Nos. 27-29, 32-33	
b	83021-000	• with Threaded Bushings, Includes Key No. 5 12.5K Capacity		24		Right Hand Lower Steering Knuckle Assembly, <i>see Selection Guide on Page 4</i>	1
	83022-000	13.2K Capacity		a	80029-XXX	• with Integrated Brake Knuckle Assembly Includes Key Nos. 27-29, 32-33, 40-41	
	60961-820	Spring Eye Bushing Service Kit, One Side Front, Includes Key Nos. 2, 4		b	93945-XXX	• with Standard Brake Knuckle Assembly Includes Key Nos. 27-29, 32-33	
	60961-821	Rear, Includes Key Nos. 3, 4			60961-630	Kingpin Bushing and Bearing Service Kit, Includes Key Nos. 25-31 & Loctite	
2		*Front Bar Pin Spring Eye Bushing	2		60961-917	One Side Axle Set	
3		*Rear Thru-bolt Spring Eye Bushing	2	25	33117-000	Grease Zerk	2
4	69125-001	Loctite® 680 (Green) Compound Tube (Not Shown)	1	26	68687-003	Grease Cap Assembly, Upper	2
5	52700-000	Spring Pin Bushing	4	27	68687-002	Grease Cap Assembly, Lower	2
6		**Threaded Bar Pin	4	28	58909-001	Kingpin Bushing	4
7		Rear Shackle	2	29	68731-000	Kingpin Seal	4
a	70795-001	with Rubber Bushings		30	64256-000	Roller Thrust Bearing	2
b	79381-001	with Threaded Bushings		31	60236-001	5/8"-11 UNC Socket Head Cap Screw	4
8		**3/4"-16 UNF x 6 1/2" Hex Bolt	4	Not Shown	60937-000	Loctite® (Red) Compound Tube	1
9		**3/4" Washer	8		60961-069	Stop Bolt Service Kit, One Side, Includes Key Nos. 32-33	
10		**3/4"-16 UNF-2B Nylocknut	4	32		*1/2"-13 UNC Square Head Bolt	2
11		**M12 Hex Bolt	8	33		*1/2"-13 UNC Hex Jam Nut	2
12		**M12 Washer	16	34	76877-XXX	Tie Rod Assembly, Includes Key Nos. 35-37 <i>see Selection Guide on Page 4</i>	1
13		**M12 Nylocknut	8		60961-734	Tie Rod End Service Kits Axle Set, Includes Left Hand and Right Hand Kits	
14	94690-000	Top Pad	2		60961-736	Left Hand, Includes Key Nos. 35, 37-39	
15		**3/4" U-bolt	4		60961-741	Right Hand, Includes Key Nos. 36-39	
16		**3/4" Flat Washer	8	35	70995-001	Tie Rod End, Includes Key No. 37 Left Hand	1
17		**3/4" High Nut	8	36	70995-002	Right Hand	1
18	95340-XXX	Spacer, 4 Degree, <i>see Selection Guide on Page 4</i>	2	37		*7/8" Castile Nut	2
19	76897-XXX	Slotted Spring Pin, <i>see Selection Guide on Page 4</i>	2	38	22962-007	7/8" Flat Washer	2
	94985-XXX	STEERTEK™ NXT Axle Assembly, Includes Key Nos. 20-41, <i>see Selection Guide on Page 4</i>	1	39	17800-004	Tie Rod Nut Cotter Pin	2
20	94984-XXX	Axle & Kingpin Assembly, <i>see Selection Guide on Page 4</i>	1	40		*3/4"-16 UNF x 2 3/4" Hex Head Cap Screw (IBK)	4
		Upper Steering Knuckle Assembly, Includes Key Nos. 25-26, 28-29		41		*3/4" Flat Washer (IBK)	4
21	60903-472	Left Hand	1				
22	60904-402	Right Hand	1				

NOTES: Quantities specified are for the vehicle. Quantities of service kit components may vary from the amount shown in the list.

* Item included in assembly only, part not sold separately.

** Not supplied by Hendrickson, used for reference only. Hendrickson is not responsible for components supplied by vehicle manufacturer. For more information and assistance with maintenance and rebuild instructions on these components see vehicle manufacturer.



■ Spacer and Slotted Spring Pin Selection Guide

Ride Height (in)	Spacer Key No. 19		Slotted Spring Pin Key No. 20		Ride Height (in)	Spacer Key No. 19		Slotted Spring Pin Key No. 20	
	Part No.	Height (mm)	Part No.	Length (in)		Part No.	Height (mm)	Part No.	Length (in)
6.5	77808-001	1	Pin Not Required		9	95340-060	60	76897-004	2.75
7	95340-010	10	Pin Not Required		9.5	95340-070	70	76897-005	3
7.5	95340-020	20	76897-011	1.125	10	95340-080	80	76897-007	3.5
8	95340-030	30	76897-010	1.5	10.25	95340-090	90	76897-008	3.75
8.25	95340-040	40	76897-016	1.8	10.5	95340-100	100	76897-009	4
8.5	95340-050	50	76897-002	2.25	10.5*	95340-110	110	N/A	4.5

*+10 mm adjustment required

■ STEERTEK NXT Axle Assembly Selection Guide

Capacity (lb)	Wheel Base (in)	KPI (in)	Equipped with Integrated Brake Knuckle				Equipped with Standard Brake Knuckle				
			STEERTEK NXT Assembly	Axle & Kingpin Assembly	Lower Steering Knuckle Assembly		STEERTEK NXT Assembly	Axle & Kingpin Assembly	Lower Steering Knuckle Assembly		Tie Rod Assembly
					Left Hand	Right Hand			Left Hand	Right Hand	
			Key No. 21	Key No. 24a	Key No. 25a	Key No. 21	Key No. 24b	Key No. 25b	Key No. 35		
Part Numbers											
12.5K	190	70.9	94985-725	94984-003	80029-095	80029-096	94985-249	94984-003	93945-495	93945-496	76877-005
	215		94985-726		80029-097	80029-098	94985-250		93945-497	93945-498	76877-002
	240		94985-727		80029-099	80029-100	94985-251		93945-499	93945-500	76877-003
	190	69	94985-728	94984-004	80029-095	80029-096	94985-252	94984-004	93945-495	93945-496	76877-004
	215		94985-729		80029-097	80029-098	94985-253		93945-497	93945-498	76877-005
	240		94985-730		80029-099	80029-100	94985-254		93945-499	93945-500	76877-001
13.2K	190	70.9	94985-813	94984-005	80029-095	80029-096	94985-313	94984-005	93945-495	93945-496	76877-005
	215		94985-814		80029-097	80029-098	94985-314		93945-497	93945-498	76877-002
	240		94985-815		80029-099	80029-100	94985-315		93945-499	93945-500	76877-003
	190	69	94985-816	94984-006	80029-095	80029-096	94985-316	94984-006	93945-495	93945-496	76877-004
	215		94985-817		80029-097	80029-098	94985-317		93945-497	93945-498	76877-005
	240		94985-818		80029-099	80029-100	94985-318		93945-499	93945-500	76877-001



■ Special Tools

NOTE: Hendrickson does not supply these tools. Contact tool manufacturer.

KINGPIN BUSHING TOOLS

ADJUSTABLE STRAIGHT FLUTE REAMER

2.00" to 2.01" Cutting Diameter

McMaster-Carr #3141A28



OR

PRECISION-FINISH CYLINDER HONE

1.75" to 2.75" Cylinder ID

McMaster-Carr #7362A45



EXTENSION PILOT TOOL

for 1.78" to 2.09" Adjustable Reamer

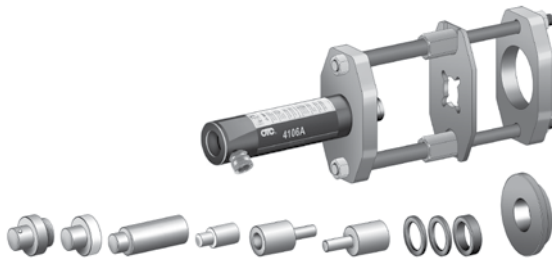
McMaster-Carr #3004A32



LEAF SPRING BUSHING TOOLS

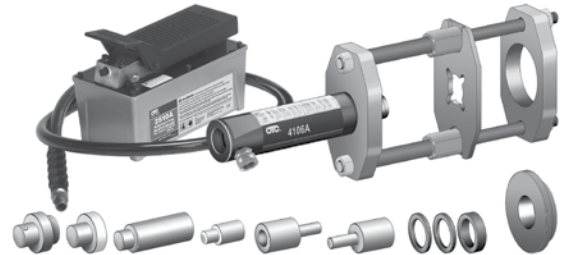
Hendrickson Part No. 66086-300

OTC Part No. 4274 Visit otctools.com



Hendrickson Part No. 66086-301

OTC Part No. 4275 Visit otctools.com



Pin & Bushing Base Tool

Tiger Tool Part No. 15000 Visit tigertool.com



This is a general parts list to provide directional information. Components may vary by model. Questions in regards to parts, contact Hendrickson Truck Parts at 855.743.3733 (Toll-free U.S. and Canada), 630.910.2800 (Outside U.S. and Canada) or email: truckparts@hendrickson-intl.com.

Actual product performance may vary depending upon vehicle configuration, operation, service and other factors.

All applications must comply with applicable Hendrickson specifications and must be approved by the respective vehicle manufacturer with the vehicle in its original, as-built configuration. Contact Hendrickson for additional details regarding specifications, applications, capacities, and operation, service and maintenance instructions.

*Call Hendrickson at **630.910.2800** or **855.RIDERED (855.743.3733)** for additional information.*



www.hendrickson-intl.com

SP-367 Rev A 04-26

© 2026 Hendrickson USA, L.L.C. All Rights Reserved. All trademarks shown are owned by Hendrickson USA, L.L.C., or one of the affiliates, in one or more countries.

Information contained in this literature was accurate at the time of publication. Product changes may have been made after the copyright date that are not reflected.

TRUCK COMMERCIAL VEHICLE SYSTEMS

800 South Frontage Road
Woodridge, IL 60517-4904 USA
855.743.3733 (Toll-free U.S. and Canada)
630.910.2800 (Outside U.S. and Canada)
Fax 630.910.2899

Printed in United States of America