

PARTS LIST

PRIMAAX[®] EX Rear Suspension for Mack Heavy Dump Truck (HDT) Vehicles

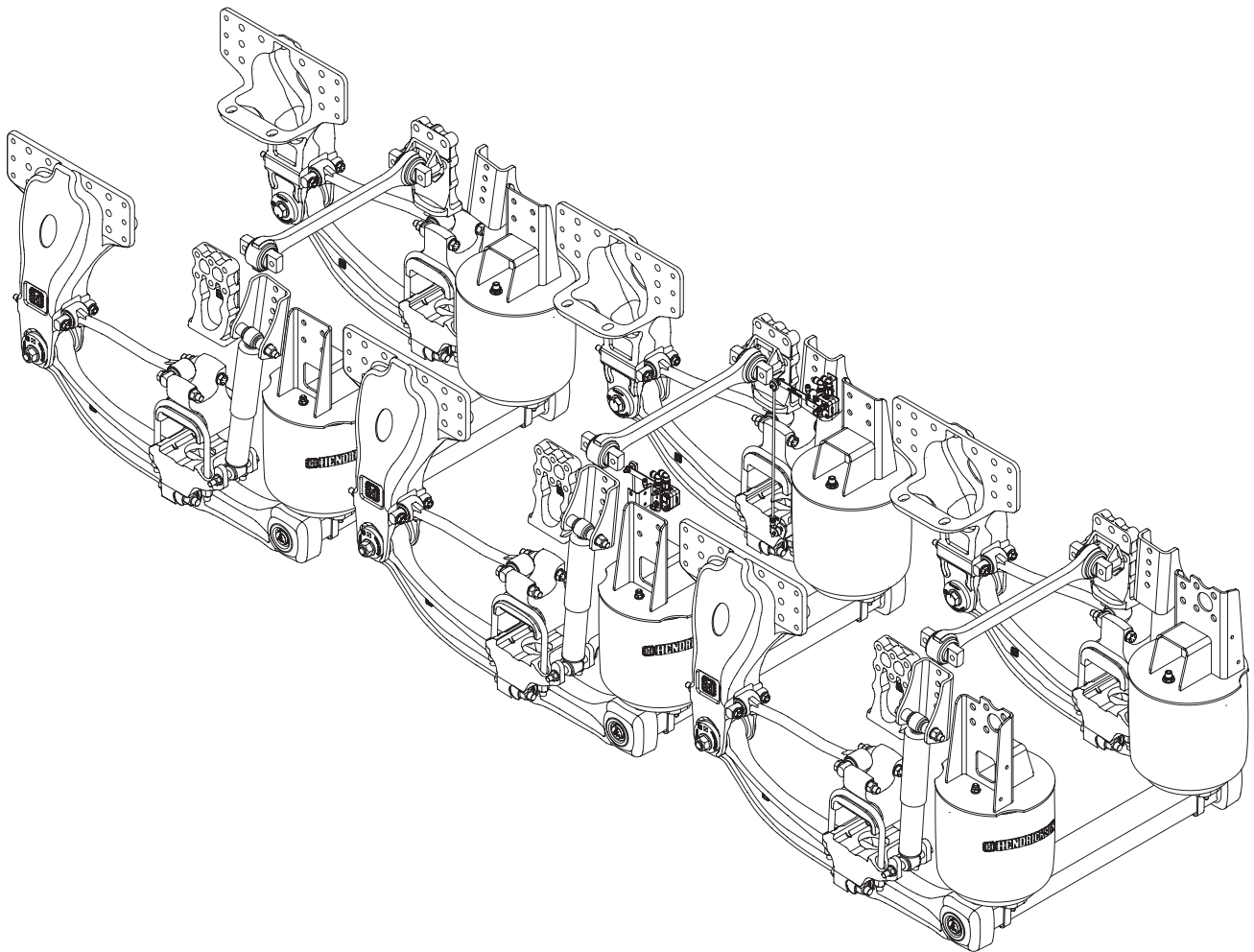
LIT NO: SP-329

DATE: August 2024

REVISION: B

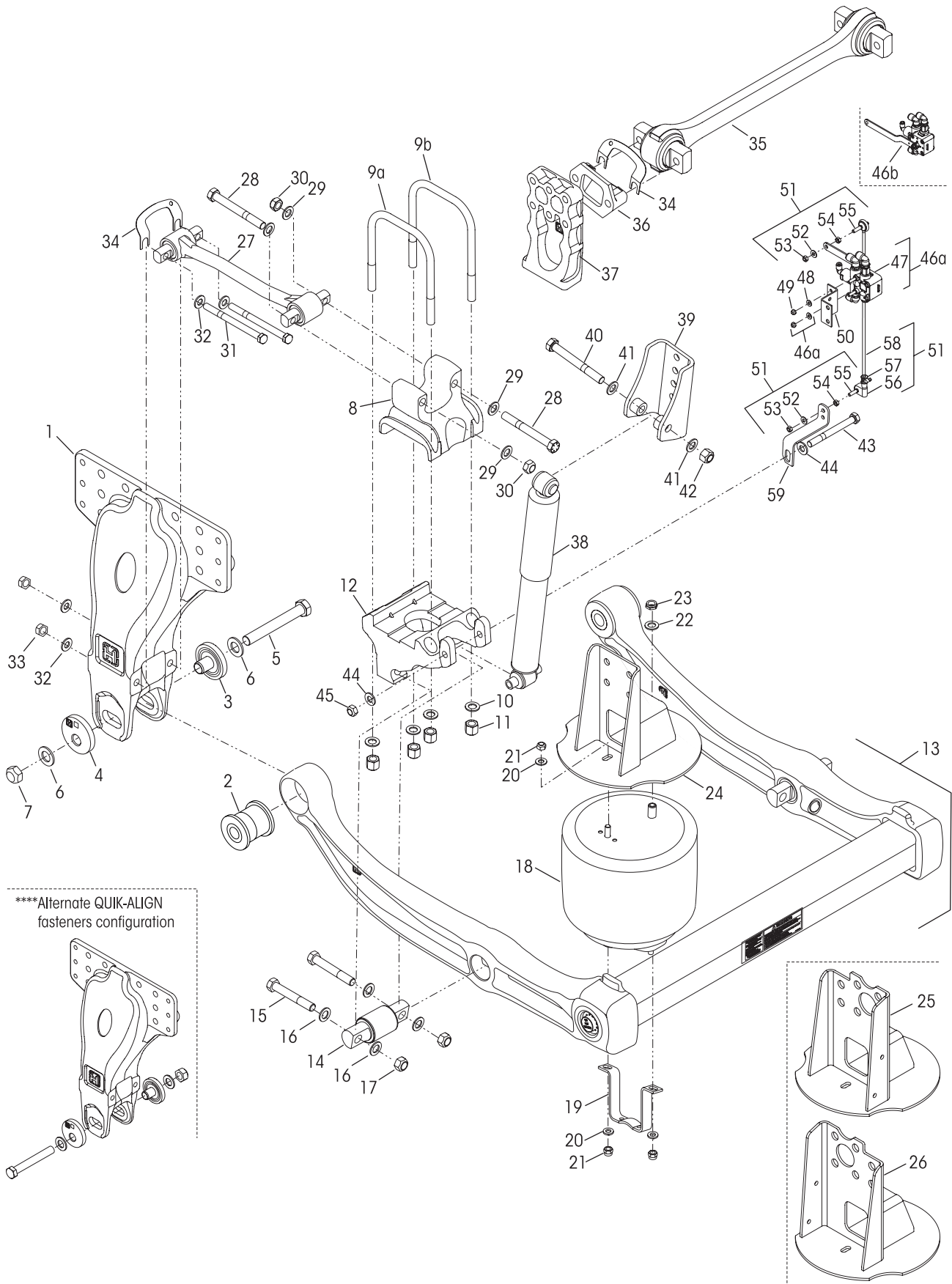
CONTENTS

DESCRIPTION	PAGE
Parts List	2
Cross Reference	4
Special Tools	5

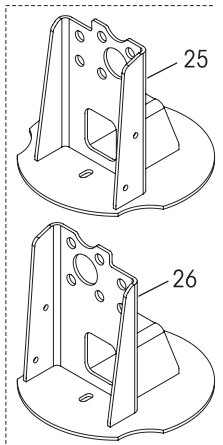
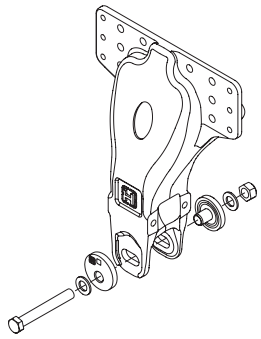




15½" Ride Height



****Alternate QUIK-ALIGN fasteners configuration





KEY NO.	PART NO.	DESCRIPTION	VEHICLE QTY.	KEY NO.	PART NO.	DESCRIPTION	VEHICLE QTY.
1	80735-004	Frame Hanger	6			Longitudinal Torque Rod Fastener Service Kits	
		QUIK-ALIGN® Pivot Bushing Service Kit,				• To Top Pad	
	60961-720	Includes Keys Nos. 2-7, 60		49176-024		Axle Set, Includes Key Nos. 28-30	
	60632-020	One Wheel End		58821-021		One Wheel End, Includes Key Nos. 28-30	
		Axle Set				• To Frame Hanger	
		QUIK-ALIGN Collar Service Kit,		49176-032		Axle Set, Includes Key Nos. 31-33	
	60632-019	Includes Keys Nos. 3-7		58821-027		One Wheel End, Includes Key Nos. 31-33	
	60632-021	One Wheel End				• To Top Pad and Frame Hanger	
	60632-018	Axle Set		49176-031		Axle Set, Includes Key Nos. 28-33	
		QUIK-ALIGN Fastener Service Kit, One Wheel End		28	21867-007	3/4"-16 UNF x 6" Hex Bolt	12
		Includes Keys Nos. 5-7		29	22962-001	3/4" Flat Washer	24
2	70425-001	QUIK-ALIGN Pivot Bushing	6	30	30191-000	3/4"-16 UNF Locknut	12
3	64633-000	QUIK-ALIGN Concentric Collar	6	31	32043-016	5/8"-11 UNC-2B x 8" Hex Bolt	12
4	64632-000	QUIK-ALIGN Eccentric Collar	6	32	22962-004	5/8" Flat Washer	24
5	68217-000	1"-14 UNF-2A x 7 1/2" Hendrickson Coated Hex Bolt	6	33	47764-000	5/8"-11 UNC-2A Locknut	12
6	68232-000	1" Hendrickson Coated Flat Washer	12	34	49689-000	Shim	As Req.
7	68218-000	1"-14 UNF-2B Hendrickson Coated Locknut	6	35	80738-004	**Transverse TRAAX ROD™	3
8	80731-004	Top Pad	6	36	80746-004	Transverse Torque Rod Frame Bracket	3
		U-bolt Service Kit, Includes Key Nos. 9a-9b, 10-11		37	80742-004	Axle Stop, Frame Mounted	6
	48718-120	One Wheel End		38	80733-004L	Shock Absorber	6
	48718-117	Axle Set		39	94304-004	Upper Shock Frame Bracket	6
9		3/4"-16 UNF-2A Square U-bolt	12			<i>Replaces 80743-004</i>	
a	59367-007	10" Outboard			50754-064	Single Shock Absorber Fastener Service Kit	
b	59367-008	10 1/2" Inboard				Includes Key Nos. 40-45	
10	22962-001	3/4" Flat Washer	24	40	50764-018	3/4"-10 UNC-2A x 6 1/2" Hex Bolt	6
11	49685-000	3/4"-16 UNF-2B U-bolt Locknut	24	41	22962-001	3/4" Flat Washer	12
12	80732-004	Bottom Cap	6	42	49842-000	3/4"-10 UNC-2B Locknut	6
13	80863-004	U-Beam Assembly, Includes Key Nos. 2, 14	3	43	32043-007	5/8"-1 UNC-2A x 7" Lower Shock Bolt	6
		D-pin Bushing Service Kits		44	22962-004	5/8" Flat Washer	12
	34013-114	Single, Includes Key Nos. 14-17		45	47764-000	5/8"-11 UNC-2B Locknut	6
	56659-010	Fasteners Only, Axle Set, Includes Key Nos. 15-17		46		Height Control Valve Assembly, Includes Key Nos. 47-49	2
14	65381-000	D-pin Bushing	6	a	69031-004	Left Side Assembly (Drivers Side)	
15	30418-011	7/8"-14 UNF x 5" Bolt	12	b	69031-005	Right Side Assembly (Passenger Side)	
16	22962-007	7/8" Flat Washer	24	47		*Height Control Valve	2
17	29248-000	7/8"-14 UNF Locknut	12	48		*1/4" Flat Washer	4
18	67044-002	Air Spring	6	49		*1/4"-20 UNC Locknut	4
19	80734-004	Lower Air Spring Mounting Bracket	6	50	80748-004	HCV Mounting Bracket	2
		Air Spring Fastener Service Kit, Upper/Lower,		51	58994-062	HCV Linkage Assembly, Includes Key Nos. 52-58	2
		Includes Key Nos. 20-23		52	22962-029	5/16" Flat Washer	4
	49177-023	One Wheel End		53	59016-000	5/16"-18 UNC-2B Locknut	4
	49177-003	Axle Set		54	17491-011	5/16"-18 UNC-2B Nut	4
20	22962-014	1/2" Flat Washer	18	55	59169-000	5/16"-18 UNC Mounting Stud	4
21	17700-010	1/2"-13 UNC Locknut	18	56	58987-000	Valve Arm Joint	2
22	22962-001	3/4" Flat Washer	6	57	58969-000	Valve Arm Clamp	2
23	17700-031	3/4"-16 UNF Locknut	6	58	58993-010	HCV Extension Rod	2
24	80730-004	Front Upper Air Spring Bracket	4	59	80749-004	HCV Linkage Bracket	2
		Rear Upper Air Spring Bracket		60	70867-001	P-80 Lubricant 10 ml (Not Shown) per Bushing 1	
25	91286-104	Left Hand	1				
26	91286-204	Right Hand	1				
27		**Longitudinal Torque Rod Assembly, See Table 1 below					

TABLE 1

REAR AXLE LOCATION	Key No. 27	◆ LONGITUDINAL TORQUE ROD PART NOS.	
	**PINION ANGLE	LEFT HAND (DRIVERS SIDE)	RIGHT HAND (PASSENGER SIDE)
Front	0°	93595-460A	93595-460B
Mid	2°	93595-475A	93595-475B
Rear	3°	93595-480A	93595-480B

◆ Longitudinal torque rod bushings are non-serviceable, the entire torque rod assembly requires replacement.
 ** Measured with the QUIK-ALIGN set at neutral position (12 O'clock).



■ CROSS REFERENCE

HENDRICKSON PART NO.	MACK PART NO.	DESCRIPTION	HENDRICKSON PART NO.	MACK PART NO.	DESCRIPTION
17491-011	23490430	5/8"-18 UNC-2B Nut	65381-000		D-pin Bushing
17700-010	20760820	1/2"-13 UNC Locknut	67044-002	23482799	Air Spring
17700-031	23490433	3/4"-16 UNF Locknut	68217-000	21469179	1"-14 UNF-2A x 7 1/2" Hendrickson coated Hex Bolt
21867-007	23490441	3/4"-16 UNF x 6" Hex Bolt	68218-000	21469181	1"-14 UNF-2B Hendrickson coated Locknut
22962-001	25092158	3/4" Flat Washer	68232-000	21469187	1" Hendrickson coated Flat Washer
22962-004	25173404	5/8" Flat Washer	69031-004	23720458	Left Hand Height Control Valve Assembly (Drivers Side)
22962-007	23490435	7/8" Flat Washer	69031-005	23720461	Right Hand Height Control Valve Assembly (Passenger Side)
22962-014	23490436	1/2" Flat Washer	70425-001		QUIK-ALIGN Pivot Bushing
22962-028	23490437	1/4" Flat Washer	70867-001		P-80 Lubricant 10 ml
22962-029	23490438	5/16" Flat Washer	80730-004	23856607	Front Upper Air Spring Bracket
29248-000	85109234	7/8"-14 UNF Locknut	80731-004		Top Pad
30191-000	23490440	3/4"-16 UNF Locknut	80732-004	23856608	Bottom Cap
30418-011	23490443	7/8"-14 UNF x 5" Bolt	80733-004	23856611	Shock Absorber
32043-007	23490444	5/8"-11 UNC-2A x 7" Bolt	80734-004	23856606	Lower Air Spring Mounting Bracket
32043-016	23490446	5/8"-11 UNC-2B x 8" Hex Bolt	80735-004	23856609	Frame Hanger
47764-000	25157616	3/4"-11 UNC-2A Locknut	80738-004	23939007	Transverse TRAAX ROD
49685-000	20755348	3/4"-16 UNF-2B U-bolt Locknut	80742-004	23856599	Axle Stop, Frame Mounted
49689-000	24424092	Shim	80746-004	23856602	Transverse Torque Rod Frame Bracket
49842-000	25153574	3/4"-10 UNC-2B Locknut	80748-004	23856613	HCV Mounting Bracket
49983-000	23490445	1/4"-20 UNC Locknut	80749-004	23856612	HCV Linkage Bracket
50764-018	23490447	3/4"-10 UNC-2A x 6 1/2" Hex Bolt	80863-004	23856610	U-beam Assembly
58969-000	23481879	Valve Arm Clamp	91286-104	23856615	Left Hand Rear Upper Air Spring Bracket
58987-000	23482698	Valve Arm Joint	91286-204	23856616	Right Hand Rear Upper Air Spring Bracket
58993-010	23482710	HCV Extension Rod	93595-460A		Left Hand Longitudinal Torque Rod, Front
58994-062	23720464	HCV Linkage Assembly	93595-460B		Right Hand Longitudinal Torque Rod, Front
59016-000	23490448	5/8"-18 UNC-2B Lock Nut	93595-475A		Left Hand Longitudinal Torque Rod, Mid
59169-000	23490449	5/8"-18 UNC Mounting Stud	93595-475B		Right Hand Longitudinal Torque Rod, Mid
59367-007	23490450	3/4"-16 UNF-2A Square U-bolt 10", Outboard	93595-480A		Left Hand Longitudinal Torque Rod, Rear
59367-008	23490451	3/4"-16 UNF-2A Square U-bolt 10 1/2", Inboard	93595-480B		Right Hand Longitudinal Torque Rod, Rear
60501-005	23720455	Height Control Valve	94304-004	23856604	Upper Shock Frame Bracket
64632-000	20755337	QUIK-ALIGN Eccentric Collar			
64633-000	20755339	QUIK-ALIGN Concentric Collar			

NOTES: Quantities specified are for tridem suspension. Quantities of service kit components may vary from amount shown in lists.

* Item included in kit/assembly only, part not sold separately.

** Longitudinal and transverse torque rod bushings are non-serviceable, the entire torque rod assembly requires replacement. Visit TRAAX ROD website www.traaxrods.com for more information.

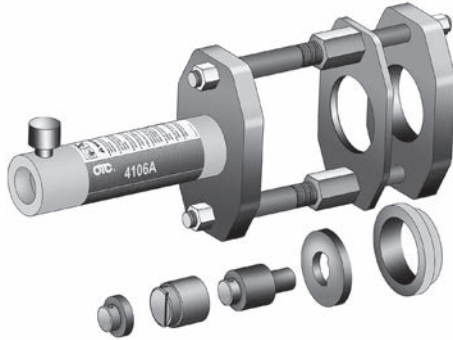
*** Alternate configuration of the QUIK-ALIGN fasteners. The locknuts located inboard will allow additional clearance for wider tires or tires with chains. Tightening is still required ONLY on the locknut.



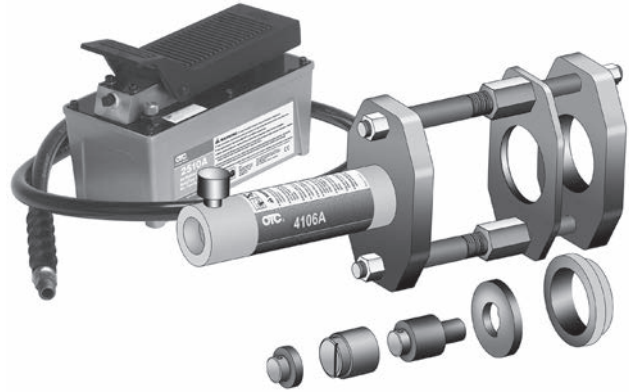
■ SPECIAL TOOLS

D-PIN • QUIK-ALIGN BUSHING SERVICE TOOLS

OTC Part No. 4246 Visit otctools.com



OTC Part No. 4247 Visit otctools.com



QUIK-ALIGN BUSHING SERVICE TOOL

Hendrickson Part No. 66086-203L

Reference Literature No. 59310-061



QUIK-ALIGN SOCKET TOOL

OTC Part No. 1767

Visit otctools.com



This is a general parts list to provide directional information. Components may vary by model. Questions in regards to parts, contact Hendrickson Truck Parts at 1.866.755.5968 (Toll-free U.S. and Canada), 630.910.2800 (Outside U.S. and Canada) or e-mail: truckparts@hendrickson-intl.com.

Actual product performance may vary depending upon vehicle configuration, operation, service and other factors.

All applications must comply with applicable Hendrickson specifications and must be approved by the respective vehicle manufacturer with the vehicle in its original, as-built configuration.

Contact Hendrickson for additional details regarding specifications, applications, capacities, and operation, service and maintenance instructions.

*Call Hendrickson at **1.866.755.5968** (toll-free) or **1.630.910.2800** for additional information.*



www.hendrickson-intl.com

SP-329 Rev B 08-24

© 2020 – 2024 Hendrickson USA, L.L.C. All Rights Reserved. All trademarks shown are owned by Hendrickson USA, L.L.C., or one of the affiliates, in one or more countries.

Information contained in this literature was accurate at the time of publication. Product changes may have been made after the copyright date that are not reflected.

TRUCK COMMERCIAL VEHICLE SYSTEMS

800 South Frontage Road

Woodridge, IL 60517-4904 USA

1.866.755.5968 (Toll-free U.S. and Canada)

1.630.910.2800 (Outside U.S. and Canada)

Fax 1.630.910.2899

Printed in United States of America