

# **H** PARTS LIST

## HT300U UNDERSLUNG

LIT NO: L940

DATE: January 2020

REVISION: C

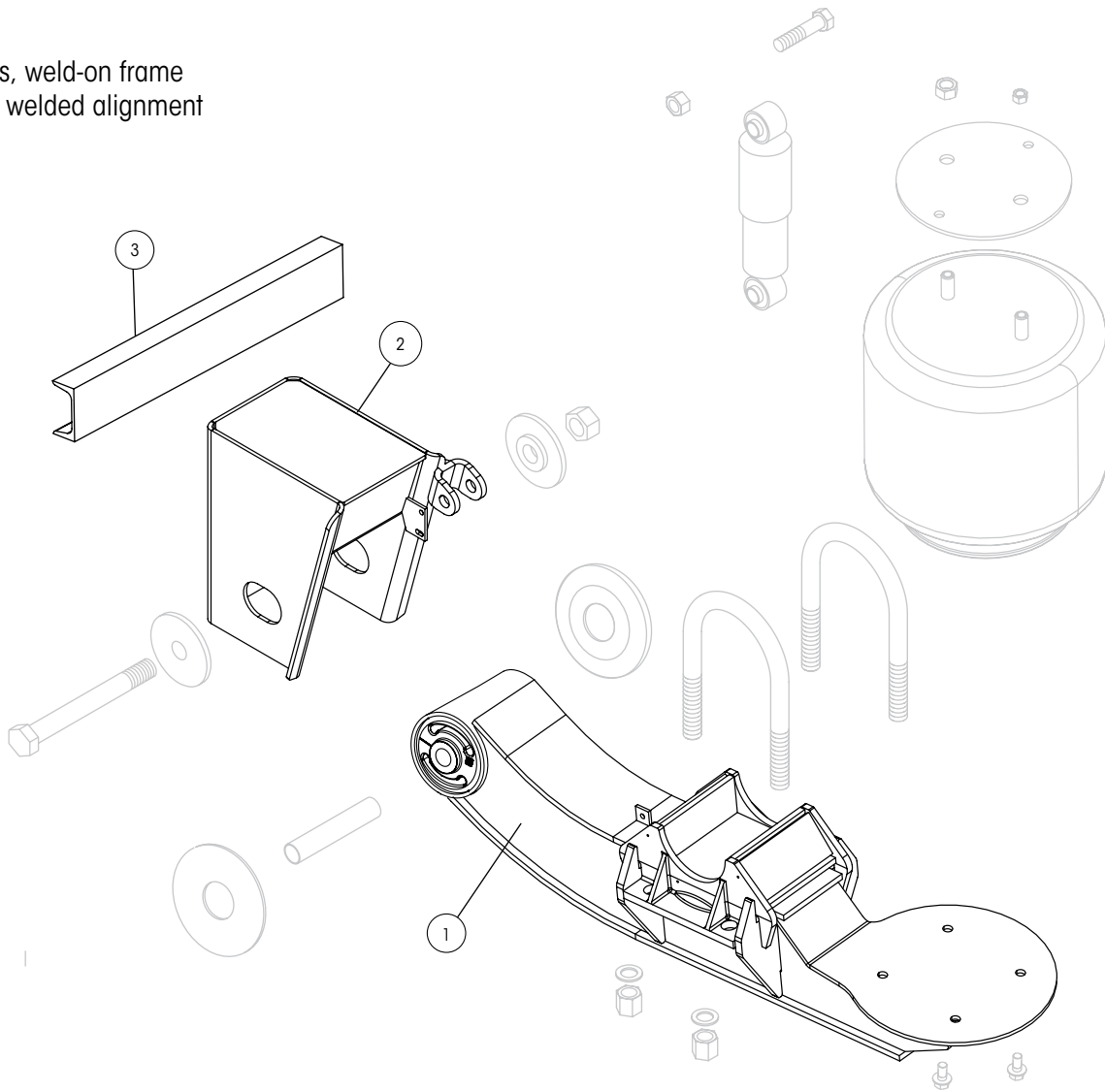
---





Picture shown may not resemble all models.

Wingless, weld-on frame  
bracket, welded alignment





# HT300U UNDERSLUNG PARTS LIST

ITEM	DESCRIPTION	PART NO.	QTY. PER SUSP.	FITS MODELS HT300 ? OR N-HT300 ?		
<b>1</b>	<b>BEAM ASSEMBLY<sup>1</sup></b>					
	Roadside	S-20252-1	1	All models		
	Curbside	S-20252-2	1	All models		
<b>2</b>	<b>FRAME BRACKET<sup>2</sup></b>			See L1266 Frame Bracket Parts List		
<b>3</b>	<b>FRAME BRACKET C-CHANNEL</b>	A-1631-19	1	All models		
<b>4</b>	<b>FRAME BRACKET BRACE</b> (Not Shown)	B-2347-6	2	U-14-001	U-14-005	U-14-011
				U-14-015	U-14-021	U-14-023
				U-14-701	U-14-021	U-17-001
				U-17-011	U-17-021	U-17-024
				UB14-022		

1. QUIK-ALIGN is available on certain specs. Contact Hendrickson for assistance.

2. Options exist based on frame attachment, frame bracket style, bolt hole pattern and connection. Contact Hendrickson for assistance or refer to L1266 Frame Bracket parts list.

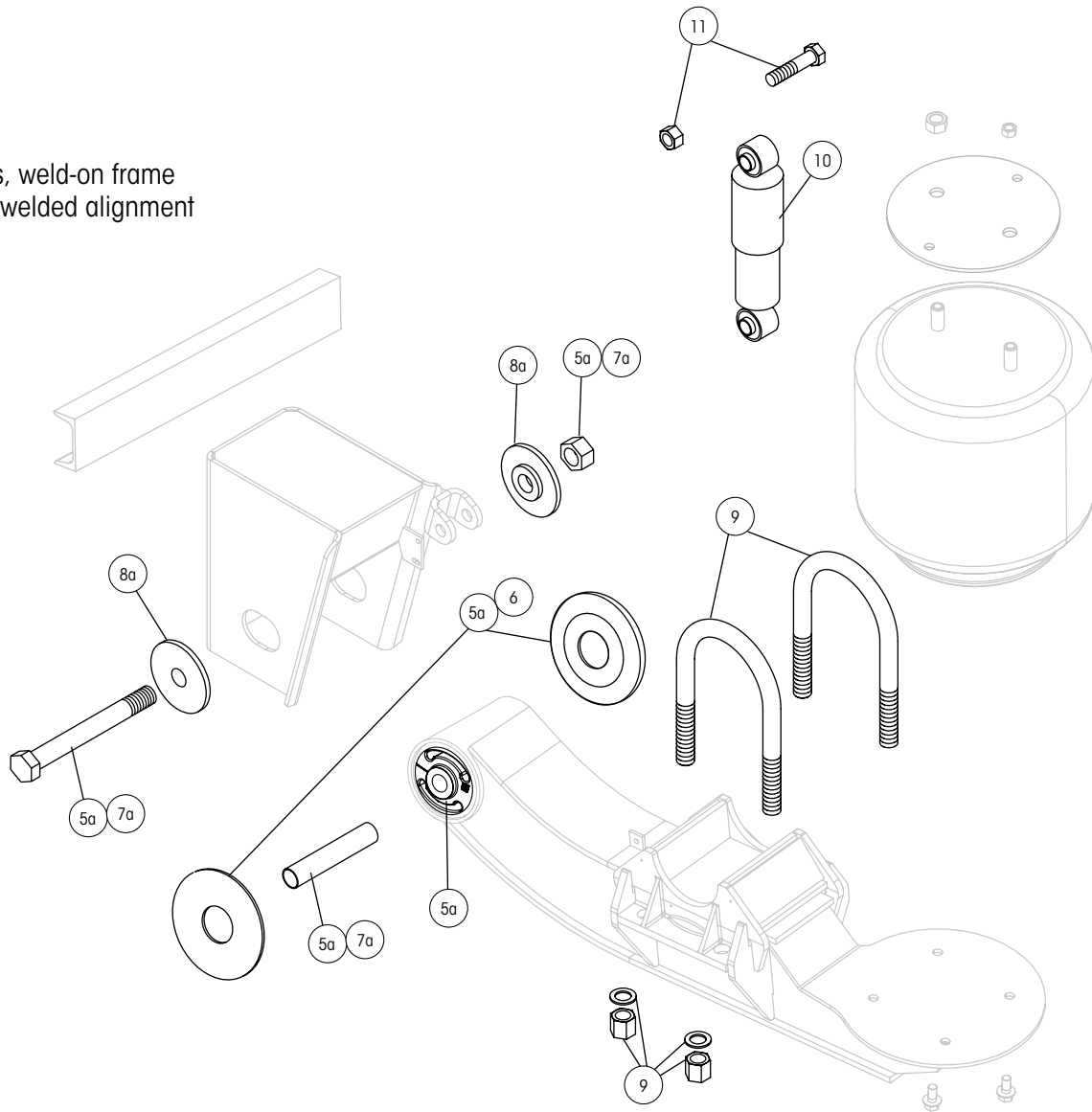
NOTE: Identification tag can be found on the front of the roadside frame bracket or the inside of the curbside beam.

# HT300U UNDERSLUNG PARTS LIST



Picture shown may not resemble all models.

Wingless, weld-on frame  
bracket, welded alignment





# HT300U UNDERSLUNG PARTS LIST

ITEM	DESCRIPTION	PART NO.	QTY. PER SUSP.	FITS MODELS HT300? OR N-HT300?		
<b>5</b>	<b>TRI-FUNCTIONAL® II BUSHING KIT<sup>3</sup></b>					
	<b>5a</b> Welded Alignment	S-6914	2	Includes bushing, bushing tube spacers, cap screw, prevailing torque hex nut, liner and lube		
	<b>5b</b> QUIK-ALIGN® (Not Shown)	S-24691	2	Includes bushing, bushing tube spacers, round head bolt, prevailing torque hex nut, hardened washers and lube		
<b>6</b>	<b>BUSHING TUBE SPACER</b>	S-21099	4	All models		
<b>7</b>	<b>PIVOT BOLT KIT</b>					
	<b>7a</b> Welded Alignment	S-3646	2	Includes cap screw, prevailing torque hex nut and liner		
	<b>7b</b> QUIK-ALIGN (Not Shown)	S-24679	2	Includes round head bolt, hardened washers and prevailing torque hex nut		
<b>8</b>	<b>ALIGNMENT COLLARS</b>					
	<b>8a</b> Welded Alignment	S-2770	4	Collars are welded to frame bracket		
	<b>8b</b> Eccentric, QUIK-ALIGN (outer) (Not Shown)	S-20925	2	Alignment hole is off center		
	<b>8c</b> Concentric, QUIK-ALIGN (inner) (Not Shown)	S-20924	2	Alignment hole is centered		
<b>9</b>	<b>U-BOLT KIT</b>	S-3650/4	4	Includes (1) round U-bolt and hardware		
<b>10</b>	<b>SHOCK ABSORBER</b>	S-20126	2	U-7.5-001	U-7.5-501	U-9-001
				U-9-005	U-9-020	U-9-021
				U-9-022	U-9-024	U-9-501
				U-9-701	U-12-001	U-12-005
				U-14-005	U-14-020	U-14-021
				U-14-022	U-14-023	U-14-701
				U-15-011	U-17-001	U-17-020
				U-17-021	U-17-024	UB9-022
				UB14-022		
		S-21699	2	U-7.5-519	U-9-011	U-9-519
				U-12-011	U-12-015	U-14-011
				U-14-015	U-17-011	
<b>11</b>	<b>SHOCK BOLT KIT</b>	S-2157/2	2	All models		
<b>12</b>	<b>SHOCK STRAP KIT</b> (Not Shown)			Includes (4) nylon ties and (2) shock straps		
		S-14587-8	1	Use with S-20126 shock		
		S-14587-8	1	Use with S-21699 shock		
<b>13</b>	<b>REMOTE SHOCK MOUNT</b> (Not Shown)					
	<b>13a</b> Upper Assembly (Not Shown)					
	Roadside Suspension	C-21797-1	1	U-17-020		
	Curbside Suspension	C-21797-2	1			
	Roadside and Curbside Suspension	A-5431	2	U-9-021	U-12-020	U-14-020
	<b>13b</b> Lower Assembly (Not Shown)	S-2723	1	U-9-021	U-12-020	U-14-020

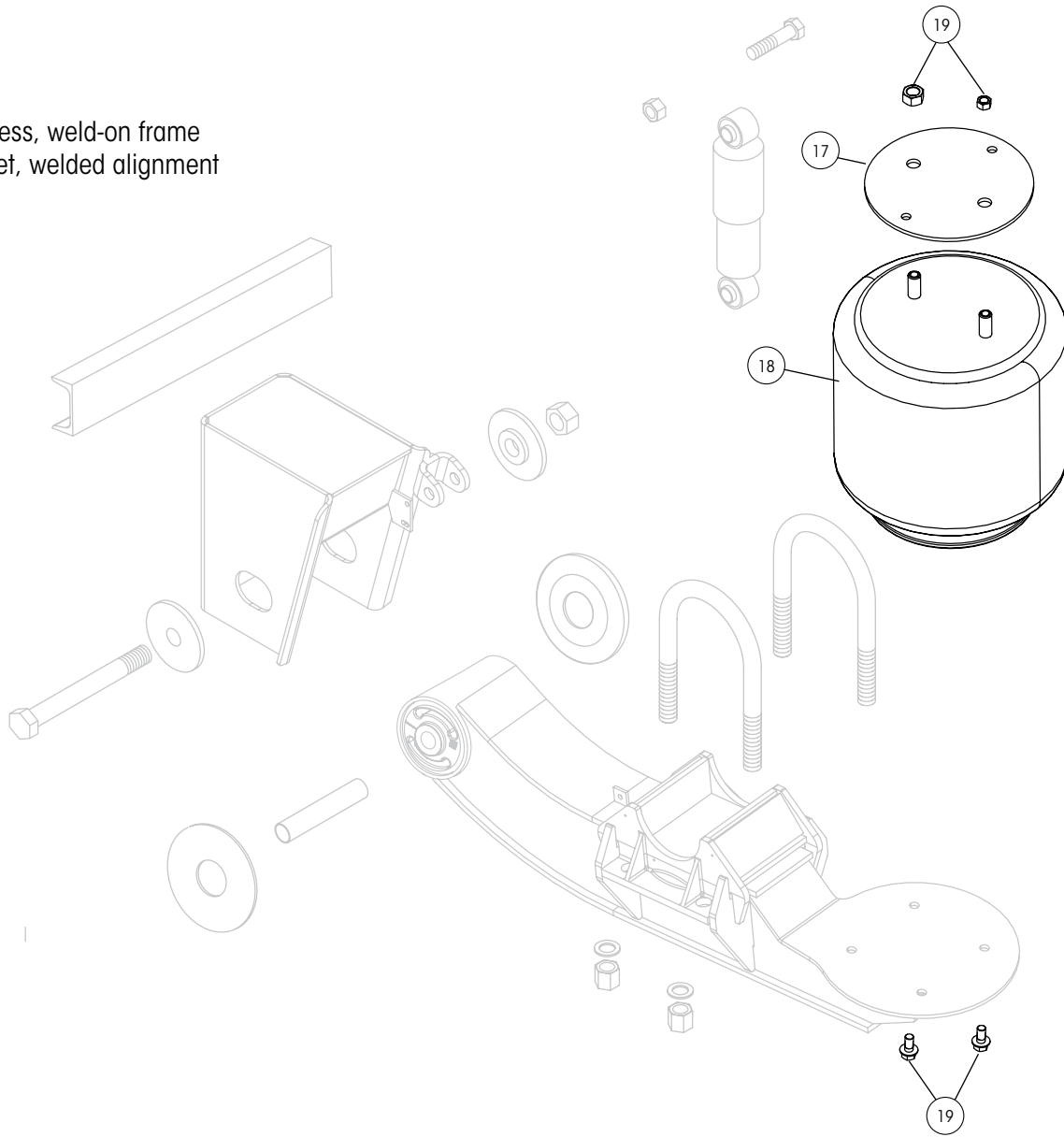
3. Bushing tool S-21307 is required to correctly re-bush the suspension

# HT300U UNDERSLUNG PARTS LIST



Picture shown may not resemble all models.

Wingless, weld-on frame  
bracket, welded alignment





# HT300U UNDERSLUNG PARTS LIST

ITEM	DESCRIPTION	PART NO.	QTY. PER SUSP.	FITS MODELS HT300 ? OR N-HT300 ?						
<b>16</b>	<b>AIR SPRING SPACER ASSEMBLY</b>			Includes air spring plate and spacer assembly						
		A-20279	2	U-12-001 U-12-024	U-12-005	U-12-015				
		C-24967	2	U-9-020 U-14-011 U-14-011	U-14-001 U-14-015	U-14-005 U-14-020 UB14-022				
		C-22514	2	U-15-011						
		C-24968	2	U-17-001 U-17-024	U-17-011	U-17-020				
		C-24969	2	U-14-023						
<b>17</b>	<b>AIR SPRING PLATE</b>	A-24966	2	U-7.5-001 U-9-001 U-9-021 U-9-501 U-12-001 U-12-020	U-7.5-501 U-9-005 U-9-022 U-9-519	U-7.5-519 U-9-011 U-9-024 U-9-701 U-12-015 UB9-022				
		<b>18</b>	<b>AIR SPRING</b>	S-3830	2	Fits all models. Replaces S-22173				
		<b>19</b>	<b>AIR SPRING MOUNTING KIT</b>	S-1981/2	2	U-7.5-001 U-9-001 U-9-020 U-9-701 U-14-011 U-14-021 U-14-701 U-17-011 UB9-022	U-7.5-501 U-9-005 U-9-021 U-14-001 U-14-015 U-14-022 U-15-011 U-17-020 UB14-022	U-7.5-519 U-9-011 U-9-022 U-14-005 U-14-020 U-14-023 U-17-001 U-17-021		
				S-20313/2	2	U-12-001 U-12-015	U-12-005 U-12-020	U-12-011 U-12-024		
				<b>20</b>	<b>UNIVERSAL HEIGHT CONTROL VALVE</b> (Not Shown)	VS-227	1 <sup>4</sup>	Fits all models. Includes height control valve, exhaust line fittings and spacer bracket		
				<b>21</b>	<b>UNIVERSAL LINKAGE ASSEMBLY</b> (Not Shown)	S-14187	1 <sup>4</sup>	Includes linkage assembly and hardware		
<b>22</b>	<b>DUMP VALVE</b> (Not Shown)			VS-23460	1 <sup>4</sup>	Includes dump valve and fittings				
<b>23</b>	<b>PRESSURE PROTECTION VALVE</b> (Not Shown)			VS-1128	1	Includes valve only				

4. Quantities for air control components are per trailer

NOTE: Identification tag can be found on the front of the roadside frame bracket or the inside of the curbside beam.

*Actual product performance may vary depending upon vehicle configuration, operation, service and other factors.  
All applications must comply with applicable Hendrickson specifications and must be approved by the respective vehicle manufacturer with the vehicle in its original, as-built configuration.  
Contact Hendrickson for additional details regarding specifications, applications, capacities, and operation, service and maintenance instructions.*

**Call Hendrickson at 330.489.0045 or 866.RIDEAIR (743.3247) for additional information.**



[www.hendrickson-intl.com](http://www.hendrickson-intl.com)

**TRAILER COMMERCIAL VEHICLE SYSTEMS**

2070 Industrial Place SE  
Canton, OH 44707-2641 USA  
866.RIDEAIR (743.3247)  
330.489.0045 • Fax 800.696.4416

**Hendrickson Canada**

250 Chrysler Drive, Unit #3  
Brampton, ON Canada L6S 6B6  
800.668.5360  
905.789.1030 • Fax 905.789.1033

**Hendrickson Mexicana**

Circuito El Marqués Sur #29  
Parque Industrial El Marqués  
Pob. El Colorado, Municipio El Marqués,  
Querétaro, México C.P. 76246  
+52 (442) 296.3600 • Fax +52 (442) 296.3601

L940 Rev C 01-20

© 2006 – 2020 Hendrickson USA, L.L.C. All Rights Reserved. All trademarks shown are owned by Hendrickson USA, L.L.C., or one of its affiliates, in one or more countries.  
Information contained in this literature was accurate at the time of publication. Product changes may have been made after the copyright date that are not reflected.

Printed in United States of America