

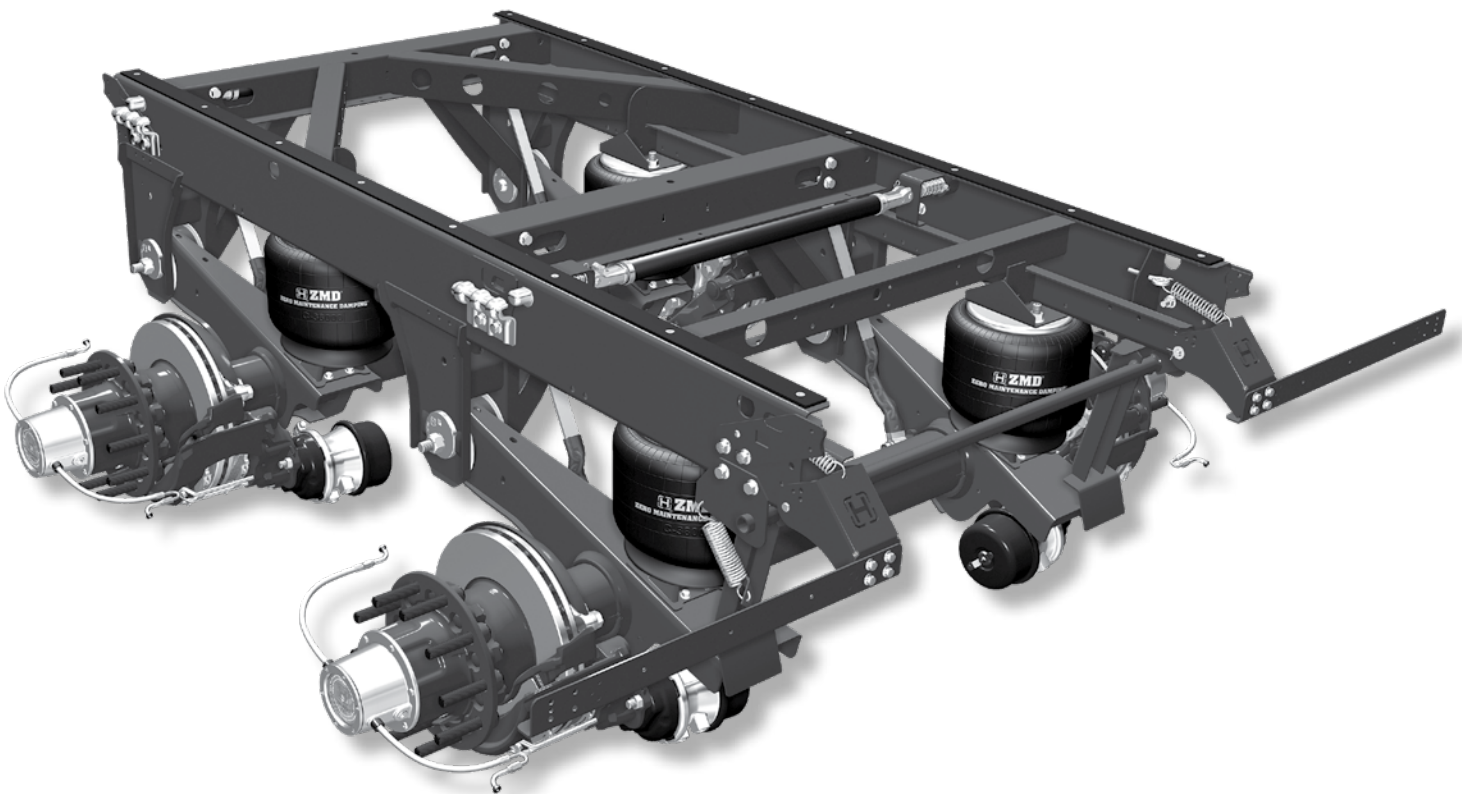
# **H** PARTS LIST

## ULTRAA-K® UTKNT 40K

LIT NO: L1237

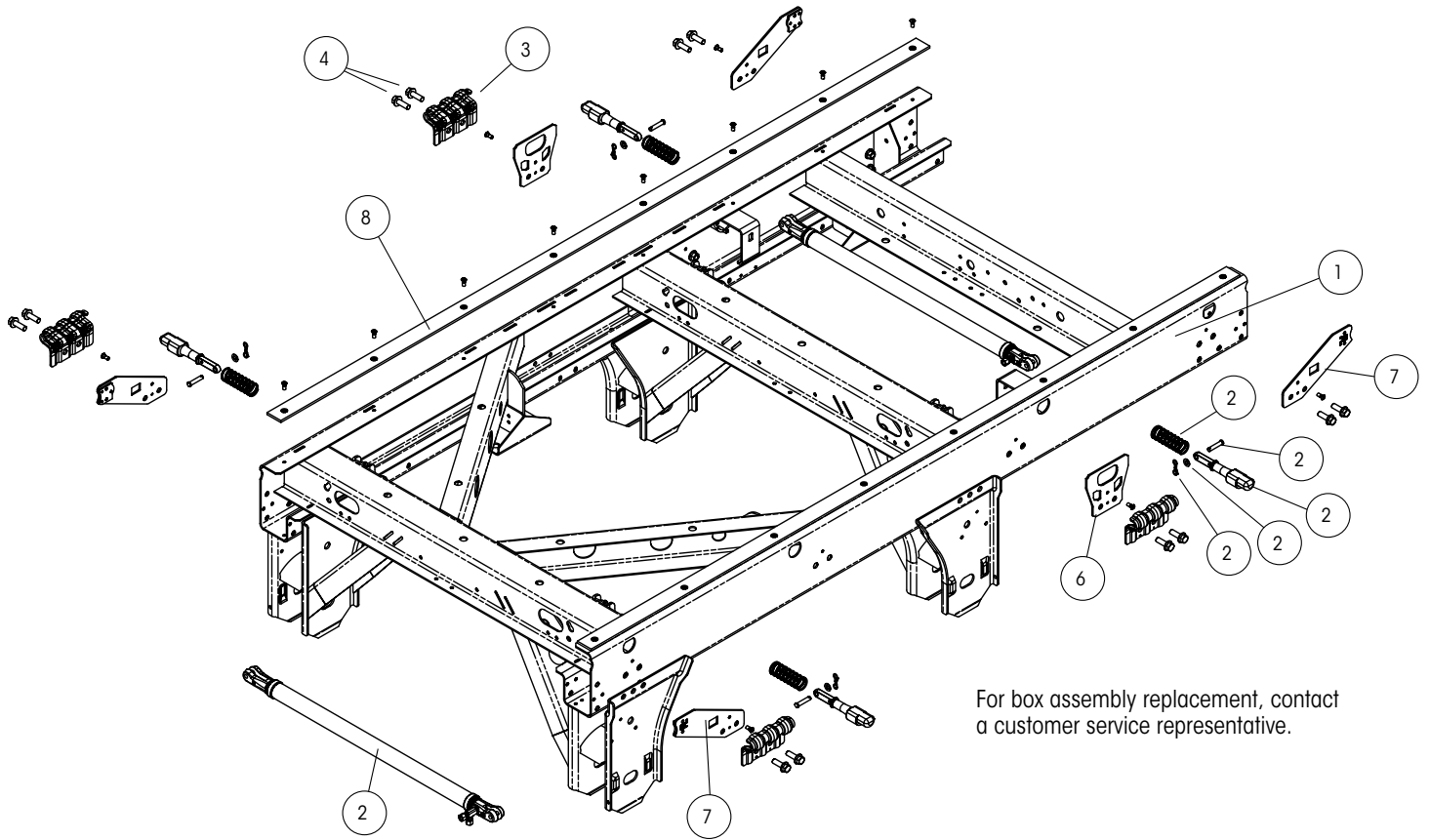
DATE: October 2019

REVISION: G



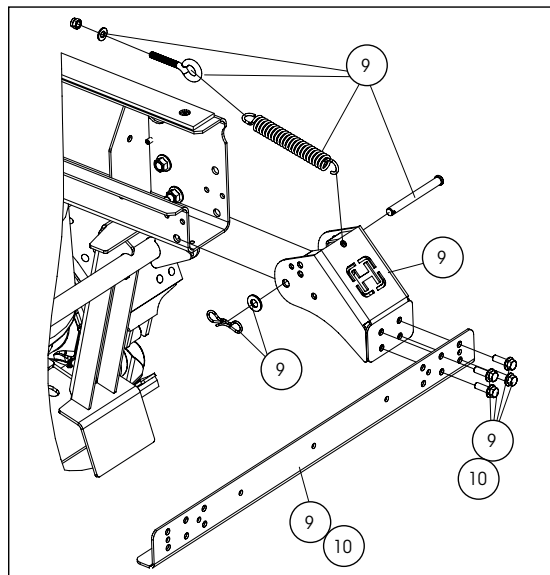


**SLIDER BOX ASSEMBLY**



For box assembly replacement, contact a customer service representative.

**MUD FLAP MOUNTING**



**SLIDER BOX ASSEMBLY**

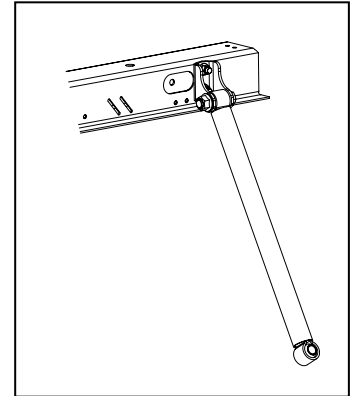
ITEM	DESCRIPTION	PART NO.	SYSTEM QTY.	NOTE
1	<b>AFTERMARKET SLIDER BOX REPLACEMENT</b>	AMBOX.###	1	Contact Hendrickson for assistance
2	<b>QUIK-DRAW® COMPONENTS</b>			See L751 QUIK-DRAW Parts List
3	<b>BODY RAIL CLIP</b>			
	3.4" clip height	S-24459	4	Use with 4" hole centers
	3.8" clip height	S-24460	4	Use with 6" hole centers
4	<b>BODY RAIL BOLT</b>	SA-6900-2	8	1/2"-13" × 1-1/2" flanged bolt
5	<b>BODY RAIL CLIP SPACER</b> (Units built before August 2015) (not shown)			
	1.5" clip hole centers	A-21282	4	
	2" clip hole centers	A-22367	4	
6	<b>BOLT-ON SHIM</b>			
	.188" thickness	S-34860	4	6" body rail hole spacing
	.188" thickness	S-34860	2	4" body rail hole spacing
	.232" thickness	S-34859	4	6" body rail hole spacing
	.232" thickness	S-34859	2	4" body rail hole spacing
7	<b>BOLT-ON END STOP</b> (4" body rail hole spacing only)			
	.188" thickness	S-34821-1	2	Left front rail and right rear rail
	.188" thickness	S-34821-2	2	Right front rail and left rear rail
	.232" thickness	S-35761-1	2	Left front rail and right rear rail
	.232" thickness	S-35761-2	2	Right front rail and left rear rail
8	<b>SLIDER WEAR PAD KIT</b>	S-14342-3	2	Includes (1) slider wear pad with fasteners
9	<b>MUD FLAP BRACKET KIT</b>	S-34886	2	Includes (1) mud flap bracket assembly, (1) mud flap angle and hardware
10	<b>MUD FLAP ANGLE KIT</b>	S-35021	2	Includes (1) mud flap angle and hardware

Note: Identification can be found on the roadside slider box rail above the front frame bracket. There will also be a blank ULTRAA-K tag on the inside of the curbside beam.

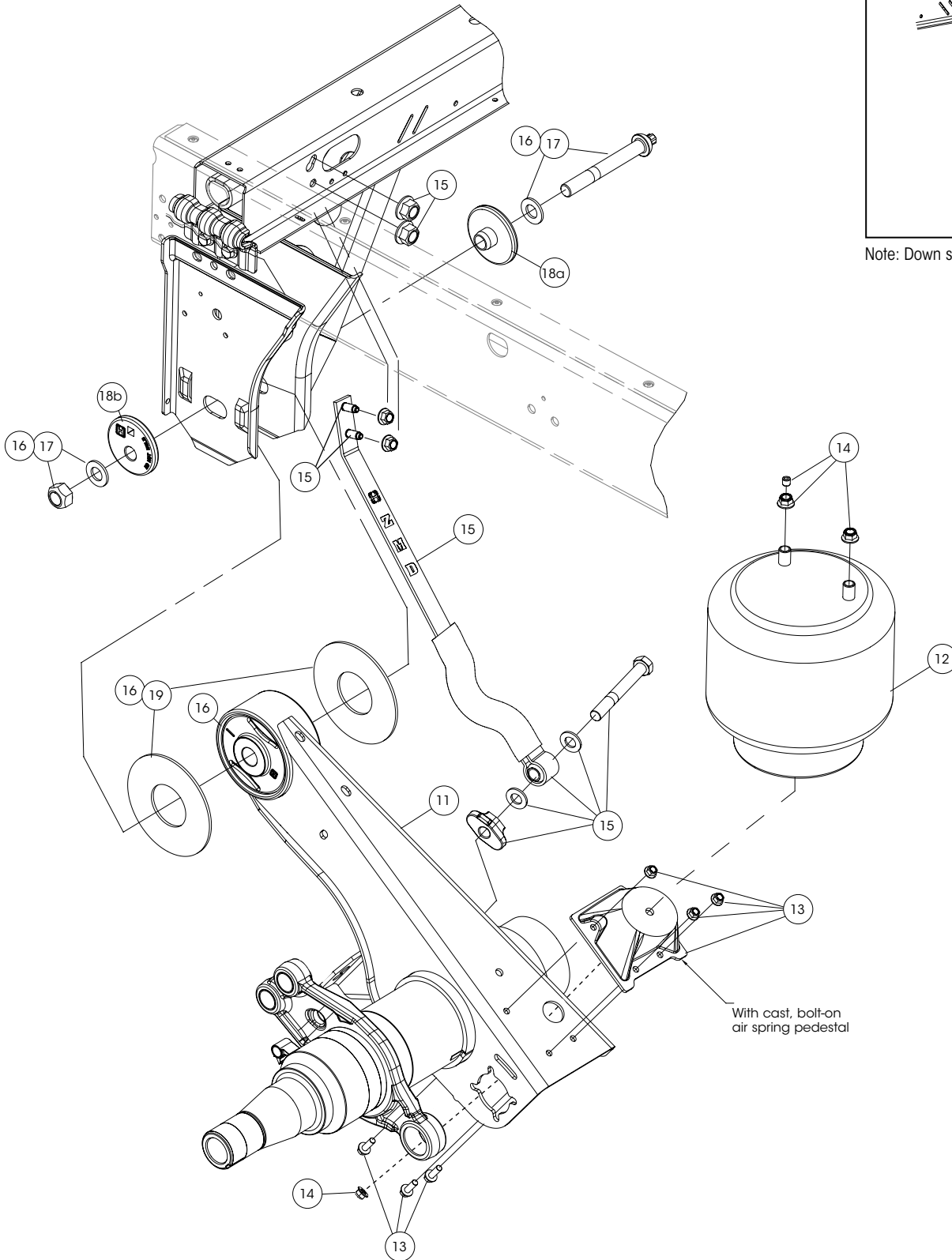


SUSPENSION ASSEMBLIES

**ZMD DOWN STOP BEFORE MARCH 2017  
NO LONGER AVAILABLE**



Note: Down stop mounted to shock clavis.



With cast, bolt-on  
air spring pedestal



**SUSPENSION ASSEMBLIES**

ITEM	DESCRIPTION	PART NO.	SYSTEM QTY.	NOTE
11	HALF-TRAAX AXLE/BEAM WELDMENT	HTRAAX.###	2	Contact Hendrickson for assistance
12	ZMD® AIR SPRING <sup>1</sup>		4	
	Units built before March 2019	S-34733	4	Straight piston
	Units built after March 2019	S-38000	4	Flared piston
13	CAST AIR SPRING PEDESTAL KIT	S-27447-1	2	2" pedestal; includes left and right side pedestals and fasteners
14	AIR SPRING MOUNTING KIT (per air spring)	S-22619/2	4	16" ride height
15	ZMD DOWN STOP KIT	S-40231-1	4	Includes down stop and hardware; Use this kit if replacing an old style downstop
16	TRI-FUNCTIONAL® PIVOT BUSHING KIT <sup>2</sup>	S-26321	2	Includes (2) bushings, (2) pivot bolt kits, (4) bushing tube spacers and lubricant pack
17	QUIK-ALIGN® PIVOT BOLT KIT	S-24705	4	Contains 7" bolt, nut and hardened washers
18	QUIK-ALIGN ALIGNMENT COLLARS			
	18a Concentric (inner)	S-20924	4	Pivot bolt hole is centered
	18b Eccentric (outer)	S-20925	4	Pivot bolt hole is offset from center
19	BUSHING TUBE SPACER	S-26807	8	Inner metal outer diameter dimension of TRI-FUNCTIONAL Bushing is 2.6"; Inner hole dimension of BTS 2.95"
20	AIR TANK BRACKET KIT (not shown)			
		S-34883	1	1 (2) air tank brackets, (4) hex flange screws and (4) prev-torq hex flange nuts
		S-34883/2	2	(1) air tank bracket, (2) hex flange screws and (2) prev-torq flange nuts
21	HEIGHT CONTROL VALVE KITS (not shown)			See L1182 Control Parts Catalog
	Valves with fittings	VS-33704-3	1	
	HCV with dump	VS-33705-3	1	
	HCV with DST®	VS-33703-3	1	
	Link and valves with fittings	VS-33704-1	1	
	HCV with dump	VS-33705-1	1	
	HCV with DST	VS-33703-1	1	
22	FIXED LINK ASSEMBLY <sup>3</sup> (not shown)	VS-33702-1	1	
23	SHOCK SPACER (not shown)	S-27196	4	Included in down stop kit

1. If replacing S-34733 ZMD air spring with S-38000, all air springs on the suspension must be changed to S-38000 ZMD air spring.

2. Bushing tool S-24736 is required to correctly rebush the suspension.

3. Also included in HCV kits.

**OTHER PARTS LISTS**

More information can be found in the following documents

Lit. Number	Description
L1055	SURELOK® Parts List
L1102	Slider Accessories and Axle Components Parts List
L949	Wheel-Ends & Brakes Parts List
L589	TRI-FUNCTIONAL® Bushing Replacement Tool
L1104	Brake Kits and Components Parts List





