

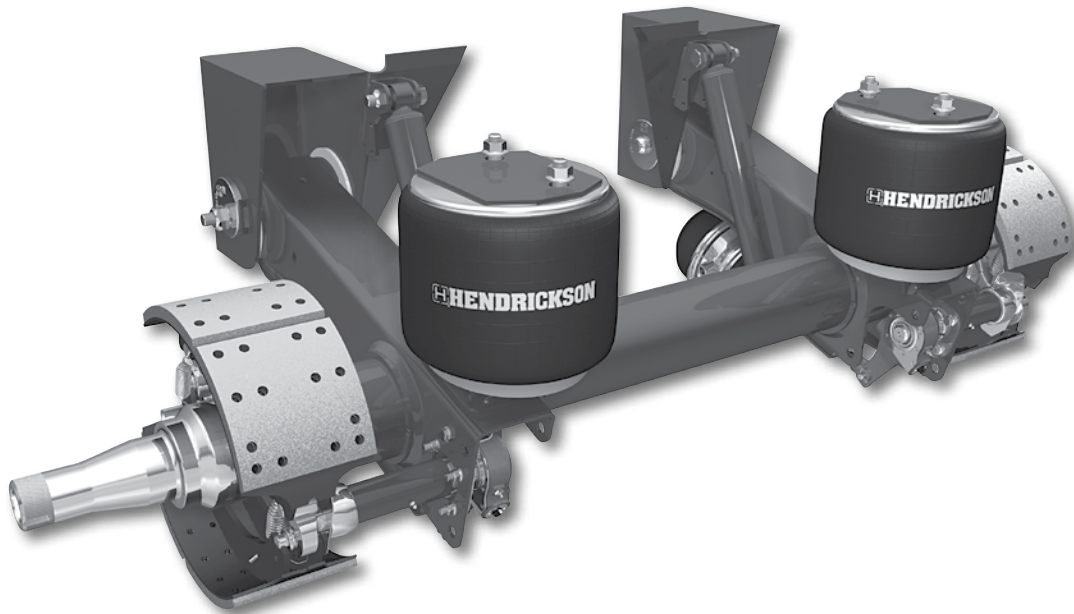
PARTS LIST

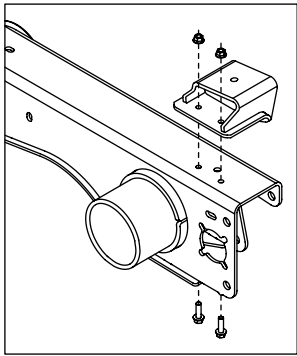
INTRAAAX® AAT —
23K, 25K, 30K

LIT NO: L405

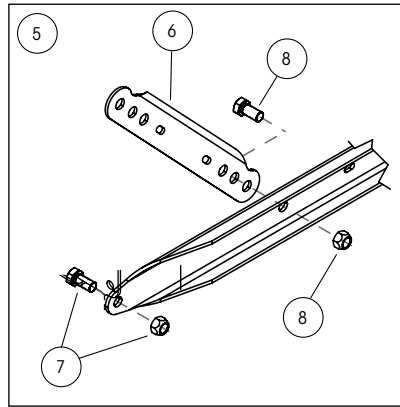
DATE: September 2024

REVISION: V

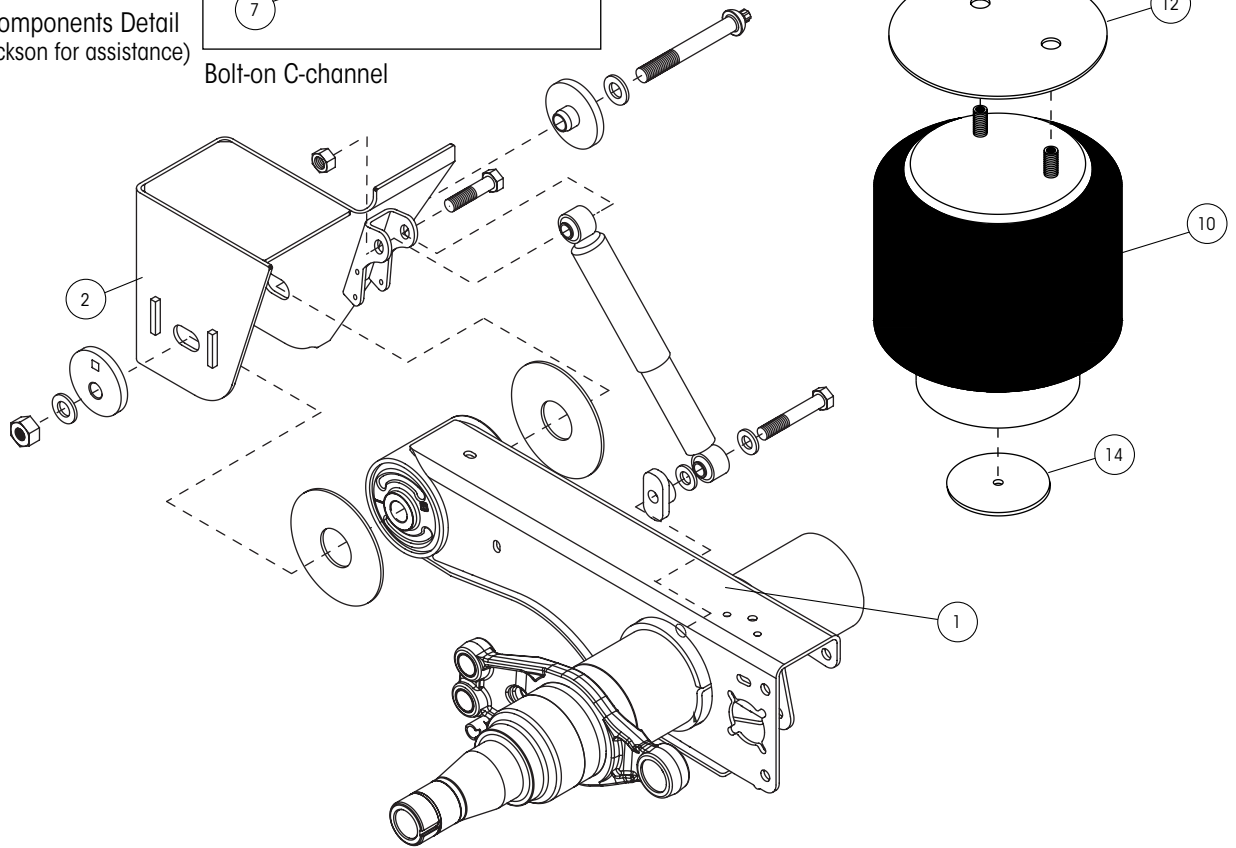




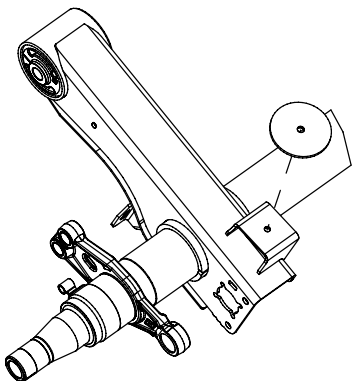
Pedestal Components Detail
(Call Hendrickson for assistance)



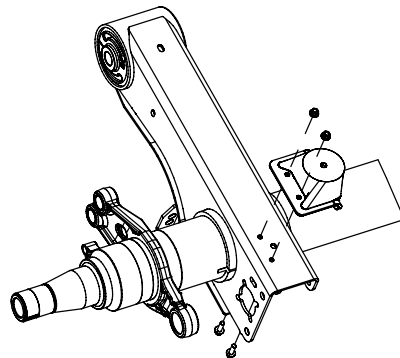
Bolt-on C-channel



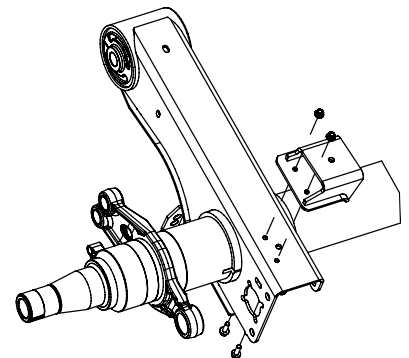
Five inch axle, weld-on pedestal (obsolete)



LDA Axle, cast pedestal



LDA Axle, fabricated pedestal





INTRAAX® AAT — 23K, 25K, 30K PARTS LIST

ITEM	DESCRIPTION	PART NO.	PER AXLE	NOTE
1	AXLE/BEAM WELDMENT	HTRAAX.XX		Contact Hendrickson for assistance
2	FRAME BRACKET ¹			See L1266 Frame Bracket Parts List
3	FRAME BRACKET GUSSET (Not Shown)	S-27330	2	13.5" to 19" ride heights
4	FRAME BRACKET BRACE (Not Shown)	B-2347-7	1	16" – 17" ride heights
5	BOLT-ON C-CHANNEL KIT ²			
	71.5" track	S-31901-3C	1	Standard black primer; includes c-channel, 2 struts and strut bolt kit
	77.5" track	S-31901-1C	1	Standard black primer; includes c-channel, 2 struts and strut bolt kit
6	STRUT ²	B-30591	2	
7	C-CHANNEL BOLT KIT	S-29822	1	Includes 2 screws and 2 prevailing torque nuts
8	STRUT BOLT KIT	S-30720	1	Includes 6 screws and 6 prevailing torque nuts
9	WELD-ON C-CHANNEL (Not Shown)			
	71.5" - 77.5" Tracks	A-1631-19	1	13.5" to 19" ride heights
	83.5" - 85" Tracks	A-1631-35	1	13.5" to 19" ride heights
10	AIR SPRING			
	AAT 23K models	S-21800	2	13.5" to 19" ride heights
	AAT 25K models	S-20901	2	13.5" to 19" ride heights
	AAT 30K models	S-25873	2	13.5" to 19" ride heights
	ZMD® TECHNOLOGY (Not Shown)			See page 6
11	AIR SPRING MOUNTING PLATE			
	Weld-on	S-20905	2	12" – 19" ride heights; standard air spring mounting plate
	Bolt-on ³	B-21145	2	13.5" – 19" ride heights; standard air spring mounting plate
		B-21715	2	13.5" – 19" ride heights; pattern 1 air spring mounting plate
		B-22390	2	13.5" – 19" ride heights; pattern 2 air spring mounting plate
		B-27264	2	13.5" – 19" ride heights; pattern 3 air spring mounting plate
12	AIR SPRING FLEX PLATE (30K MODELS ONLY) (5" axle)	B-23294		Not required for units with LDA™
13	AIR SPRING SPACER (Plastic) ⁴			
	5" axle			Flex Plate required
	15" ride height	S-22510-1	2	1 1/8" thick spacer
	16" ride height	S-22510-2	2	1 7/8" thick spacer
	17" ride height	S-22510-3	2	3 1/8" thick spacer
	LDA™ Large-Diameter Axle			
	16" ride height	S-22510-1	2	Only on ZMD® air spring
	16" and 18" ride height	S-22510-4	2	3/4" Thick spacer
	19" ride height	S-22510-2	2	1 7/8" Thick spacer
14	AIR SPRING BOTTOM DISK (5" axle)	S-21786		
15	AIR SPRING MOUNTING KITS ^{5,6}			One per air spring; Includes air fittings, hex flange nuts, plugs and extension nuts
	5" and LDA™ Large-Diameter Axle			
	13.5", 14", 15" ride heights	S-22619/2	2	
	16" and 18" ride heights	S-22630/2	2	
	17" ride height	S-22619/2	2	
	19" ride height	S-22631/2	2	

1. Options exist based on frame attachment, frame bracket style, bolt hole pattern and connection. Contact Hendrickson for assistance or refer to L1266 Frame Bracket parts list.

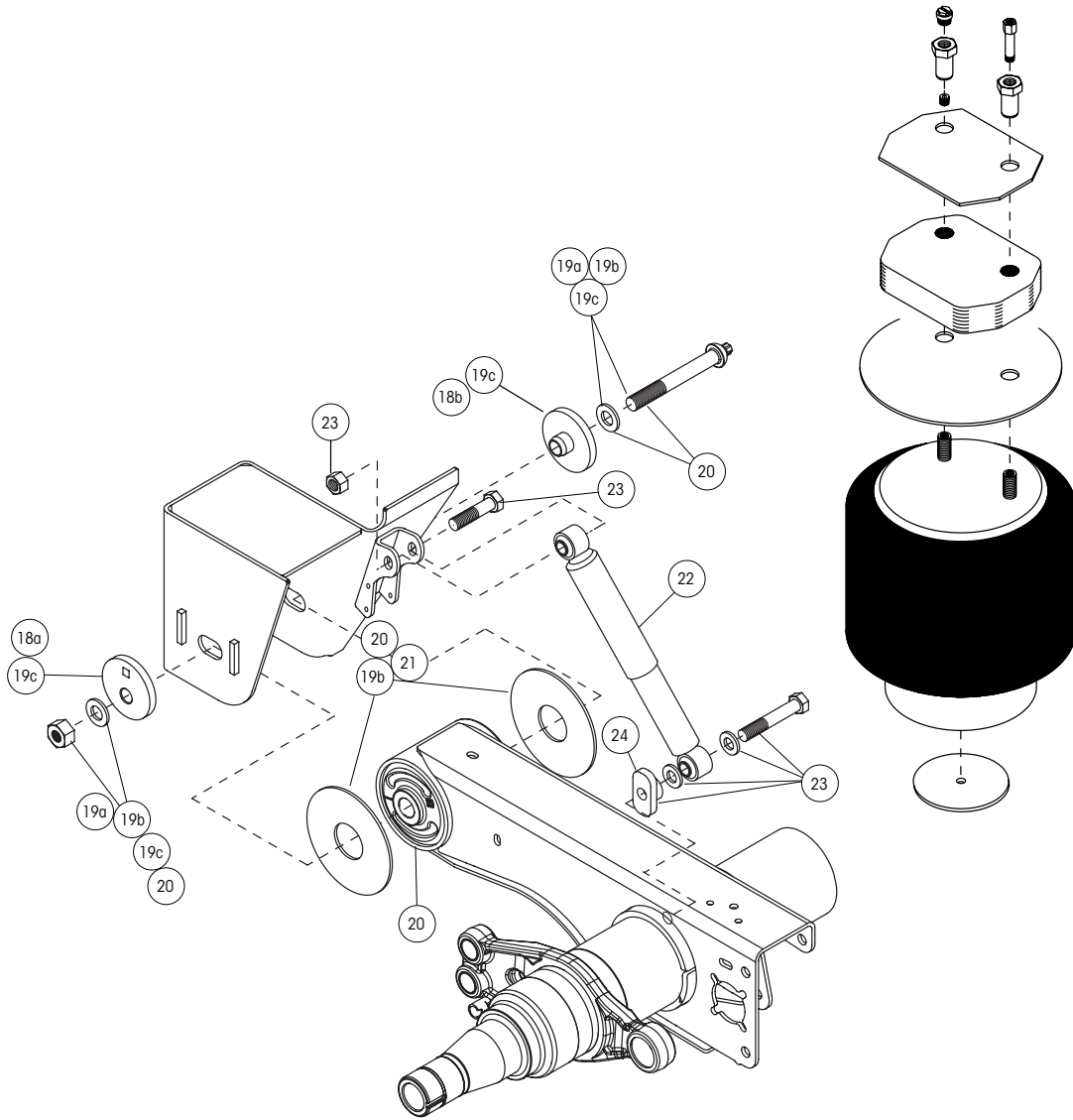
2. Struts are only optional for bolt-on frame brackets. Other options exist for galvanized or different track widths.

3. Please see INTRAAX® Bolt-on Mounting Drawing, D-26651, for assistance in pattern selection. This drawing can be found in the literature section of the Hendrickson website (www.hendrickson-intl.com).

4. Standard options listed. Other options exist. Please contact Hendrickson for assistance.

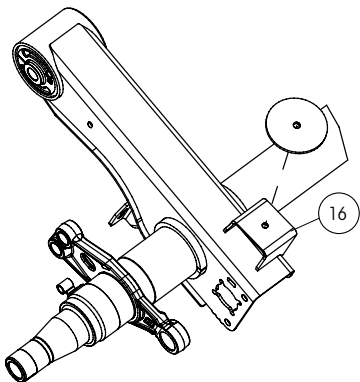
5. Picture may not resemble all models.

6. Kits listed are for units with standard travel, standard air spring hardware and standard air spring mounting plate. Components may vary for limited rebound, limited jounce, thick frame or steel spacer models.

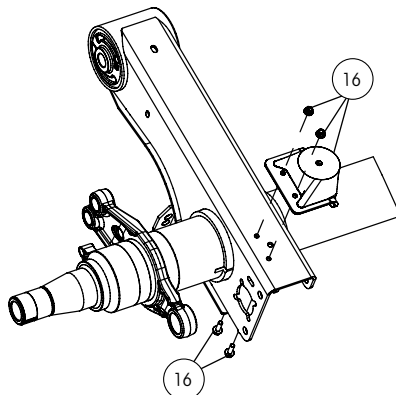


Pedestal Component Details (call Hendrickson for assistance)

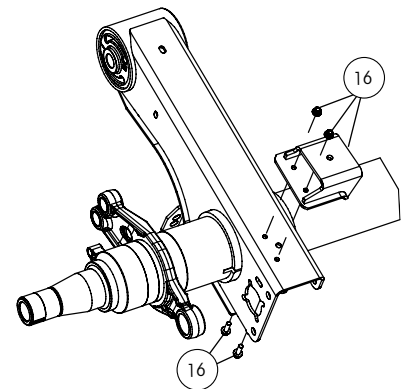
Five inch axle, weld-on pedestal (obsolete)



LDA Axle, cast pedestal



LDA Axle, fabricated pedestal





ITEM	DESCRIPTION	PART NO.	PER AXLE	NOTE
16	AIR SPRING PEDESTAL KITS			Includes 2 pedestals, 4 nuts, and 4 screws
	LDA™ and Five Inch Axle: Standard Travel (or) Limited Rebound Travel			
	13.5" – 14" ride heights	S-32164-1	2	Kit uses bolt-on cast pedestals D-36230-1L/1R
	15" – 16" ride heights	S-32164-2	2	Kit uses bolt-on steel pedestals B-30827-2L/2R
	17" – 19" ride heights	S-32164-3	2	Kit uses bolt-on steel pedestals B-30827-3L/3R
	LDA and Five Inch Axle: Limited Jounce Travel			Not available on 13.5", 18", 19" ride heights
	14" – 15" ride heights	S-32164-2	2	Kit uses bolt-on steel pedestals B-30827-2L/2R
	16" – 17" ride heights	S-32164-3	2	Kit uses bolt-on steel pedestals B-30827-3L/3R
	5" Axle (Weld-On) Pedestal			
	13.5" – 19" ride heights	S-32164-1	2	Use bolt-on S-32164-1. Follow directions on B-32164 drawing. Weld-on option obsolete. Replace with bolt-on number listed above.
17	AIR SPRING SPACER ASSEMBLY (Not Shown)			Contact Hendrickson for assistance
18	ALIGNMENT COLLARS			
	18a Eccentric	S-20925	2	Pivot hole is offset from the center of collar
	18b Concentric	S-20924	2	Pivot hole is in center of collar
19	QUIK-ALIGN® PIVOT BOLT KIT⁷			
	19a Pivot bolt kit	S-24679	2	Includes 10" shear-type bolt, nut, and washers
	19b Pivot bolt kit w/ bushing tube spacers			
	Standard	S-26369	2	Includes 10" shear-type bolt, nut, washers, and std. bushing tube spacers (Item 21)
	Off-Highway	S-40394-1	2	Includes 10" shear-type bolt, nut, washers, and off-highway bushing tube spacers (Item 21)
	19c Pivot bolt kit w/ alignment collars	S-24680	2	Includes 10" shear-type bolt, nut, washers, and alignment collars
20	TRI-FUNCTIONAL® BUSHING KIT^{5,7,8}			
	Standard	S-24691	2	Includes bushing, pivot bolt kit (Item 19a), std. bushing tube spacers (Item 21) and lube
	Off-Highway	S-40393-1	2	Includes bushing, pivot bolt kit (Item 19a), off-highway bushing tube spacers (Item 21) and lube
	Standard pivot bushing kit w/alignment collars	S-28654	1	Includes 2 bushings, 2 pivot bolt kits, bushing tube spacers and lube
21	BUSHING TUBE SPACERS			4 required per axle; Standard
	Standard	S-21099	4	
	Off-Highway	S-40230-1	4	
22	FRONT SHOCK ABSORBER			See L1287 Shock Parts List
23	SHOCK ABSORBER BOLT KIT			One 1 required per shock
	23K and 25K models shipped before 8/11/95	S-20896/2	2	
	23K and 25K models shipped after 8/11/95	S-24021	2	
	30K front mounted shock	S-24021	2	
	30K rear mounted shock	S-20031/2	2	
24	SHOCK SPACER	S-41186-1	2	

7. Best installed with Hendrickson's E-20 socket S-24536 (1-inch drive) or S-24303 (3/4-inch drive)
 8. Bushing tool, S-21307 is required to correctly rebush the suspension.



ZMD® ZERO MAINTENANCE DAMPING® COMPONENTS – AAT 23K and AAT 25K only (Not Shown)

ITEM	DESCRIPTION	PART NO.	PER AXLE	NOTE
25	ZMD® AIR SPRING			14"- 19" ride heights only; standard and limited rebound ⁹ travel
	AAT 23K			
	Plastic piston	S-39400	2	
	AAT 25K			
	Plastic piston	S-39401	2	
26	ZMD DOWNSTOP			
	14" ride height	S-33669	2	Standard and limited rebound ⁹ travel
	16" ride height			
	Standard travel	S-33669-3	2	
	Limited rebound ⁹	S-33669	2	
	15" and 17" - 19" ride heights	S-33669-3	2	Standard travel
27	ZMD DOWNSTOP BOLT KIT	S-24049/2	2	Includes shear bolts, spacers, washers, hex bolt and hex nut
28	ZMD RETROFIT KIT			Includes 2 ZMD air springs, 2 down stop assemblies and hardware
	AAT 23K			
	14" ride height	S-39350-2	1	
	15" ride height	S-39350-4	1	
	16" ride height			
	Standard travel	S-39350-9	1	
	Limited rebound	S-39350-10	1	
	17" ride height	S-39350-4	1	
	AAT 25K			
	14" ride height	S-39350-11	1	
	15" ride height	S-39350-12	1	
	16" ride height			
	Standard travel	S-39350-13	1	
	Limited rebound	S-39350-17	1	
	17" - 19" ride heights	S-39350-12	1	

9. Only available on 14" and 16" ride heights with raised center axle.

