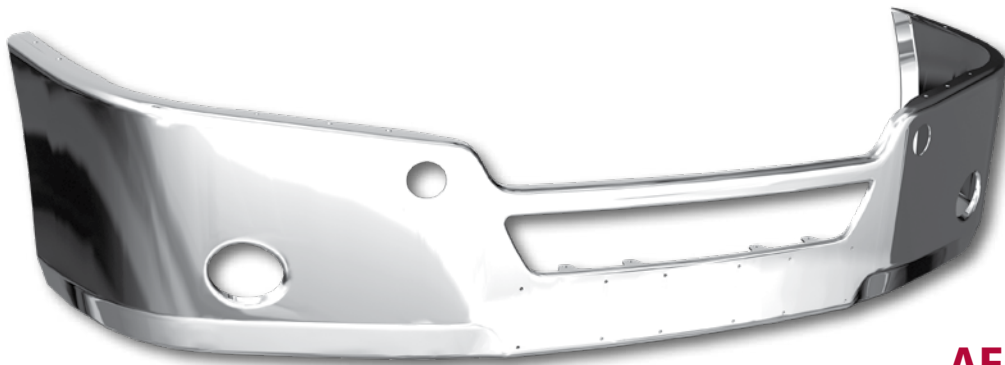


# AERO CLAD® and AIRTEK® NXT for Freightliner® Cascadia®



## **AERO CLAD®**

Stainless steel-clad aluminum bumper has a bright mirror finish



## **AIRTEK® NXT**

Integrated front air suspension and steer axle system designed for a premium ride



To learn more about Hendrickson, visit [www.hendrickson-intl.com](http://www.hendrickson-intl.com)

## AERO CLAD® and AIRTEK® NXT Features and Benefits

### AERO CLAD®



- Lightweight
- Increased ground clearance – 5.5 inches higher than OEM Aero Package
- Easy installation to factory mounts
- AERO CLAD® offers a durable, bright mirrored finish that is 10 times thicker than a standard chrome finish
- Resists corrosion, cracking, pitting, peeling and fading
- Minor abrasions can be buffed
- Quality, American-made product
- Full 5-year limited warranty\*

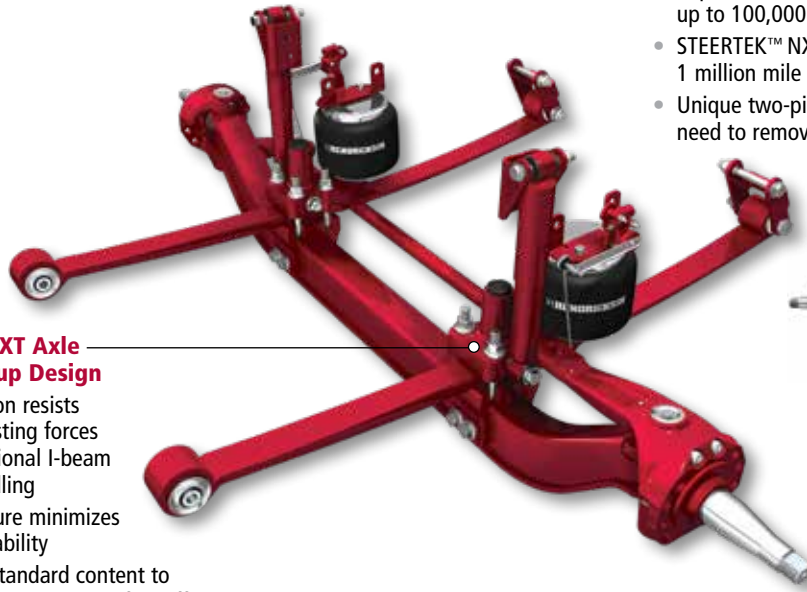
### AIRTEK® NXT

#### Improved Ride and Comfort

- Advanced air suspension technology assists in protecting drivers from road irregularities

#### Reduced Maintenance

- Durable rubber front and rear bushings require no lubrication
- Premium kingpin bushings and seals provide enhanced protection from the elements to improve bushing life and extend service intervals up to 100,000 miles\*\*
- STEERTEK™ NXT comes with a standard 10-year, 1 million mile limited warranty\*\*\*
- Unique two-piece knuckle design eliminates the need to remove the kingpin to service the knuckle



Two-piece knuckle design

#### Lightweight STEERTEK™ NXT Axle and Advanced Clamp Group Design

- The box-shaped cross-section resists horizontal, vertical and twisting forces more effectively than traditional I-beam axles, which improves handling
- Continuous beam architecture minimizes stress points for added durability
- This design is lighter than standard content to improve load capacity and help enhance fuel efficiency
- Available in 12,500- and 13,300-pound capacities

The AIRTEK NXT system is integral to and available exclusively with the STEERTEK NXT axle. Contact Hendrickson or Freightliner for availability.

\* Contact your local Hendrickson representative for complete warranty terms, conditions and limitations.

\*\* Contact Hendrickson for full service interval details and limitations.

\*\*\* 10-year, 1 million mile limited warranty covers certain structural components only. Warranty coverage applies to the axle beam, steering arm, knuckle assembly and kingpin when used in applications approved by Hendrickson and within the proper guidelines of the product. Warranty does not cover components experiencing normal wear. Contact Hendrickson for full warranty details and limitations.

Actual product performance may vary depending upon vehicle configuration, operation, service and other factors.

All applications must comply with applicable Hendrickson specifications and must be approved by the respective vehicle manufacturer with the vehicle in its original, as-built configuration. Contact Hendrickson for additional details regarding specifications, applications, capacities, and operation, service and maintenance instructions.

Call Hendrickson at **630.910.2800** or **855.RIDERED (743.3733)** for additional information.



www.hendrickson-intl.com

#### TRUCK COMMERCIAL VEHICLE SYSTEMS

800 South Frontage Road  
Woodridge, IL 60517-4904 USA  
855.RIDERED (743.3733)  
630.910.2800 • Fax 630.910.2899



www.freightliner.com

45745-478 Rev D 05-23

© 2018 - 2023 Hendrickson USA, L.L.C. All Rights Reserved. All trademarks shown are owned by Hendrickson USA, L.L.C., or one of its affiliates, in one or more countries, except for Freightliner, the Freightliner logo and Cascadia, which are owned by Daimler Trucks North America LLC. Information contained in this literature was accurate at the time of publication. Product changes may have been made after the copyright date that are not reflected. Printed in United States of America