

H PARTS LIST

AIRTEK® NXT Front Air Suspension and Twin Steer Axle System for Link-Belt® Crane Vehicles

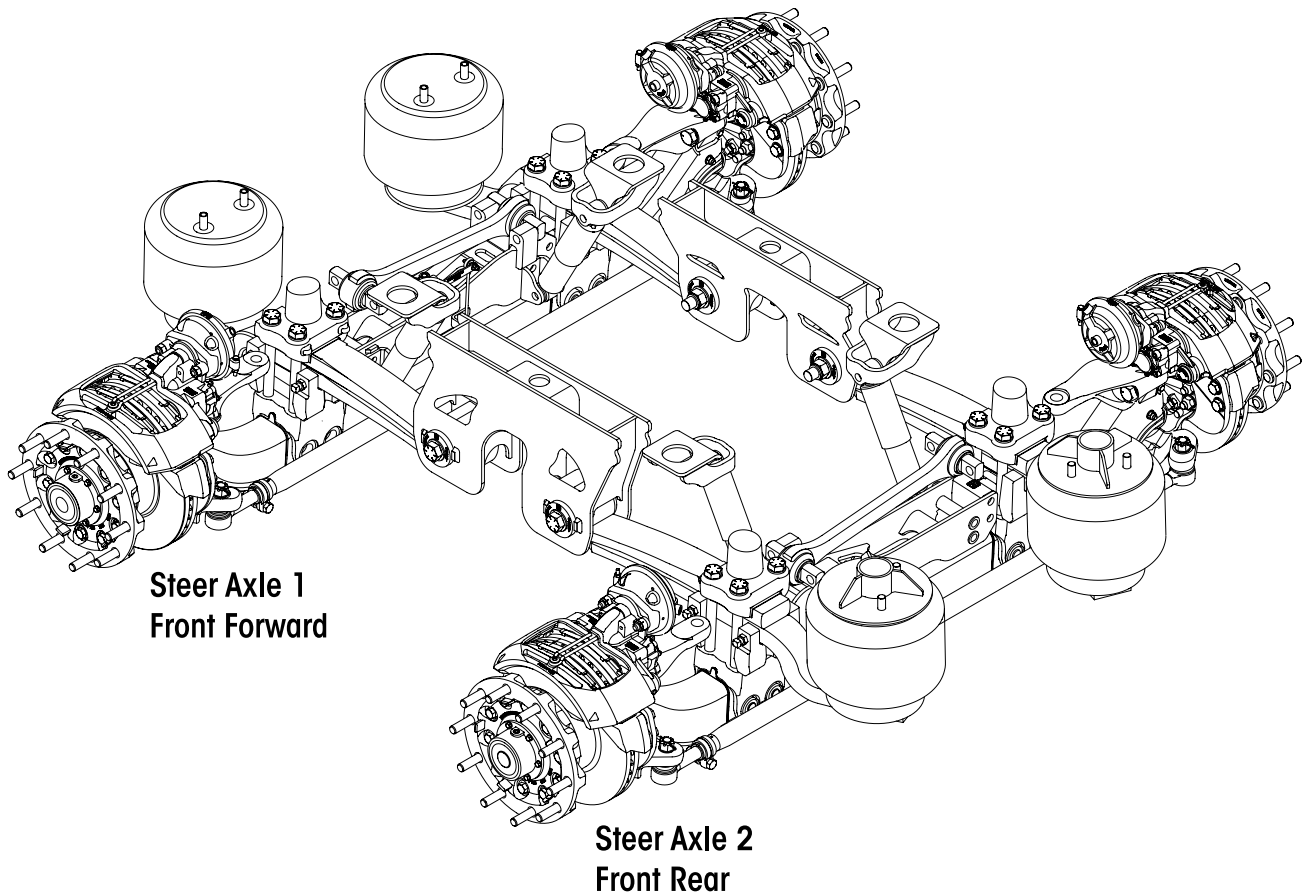
LIT NO: SP-324

DATE: September 2025

REVISION: C

CONTENTS

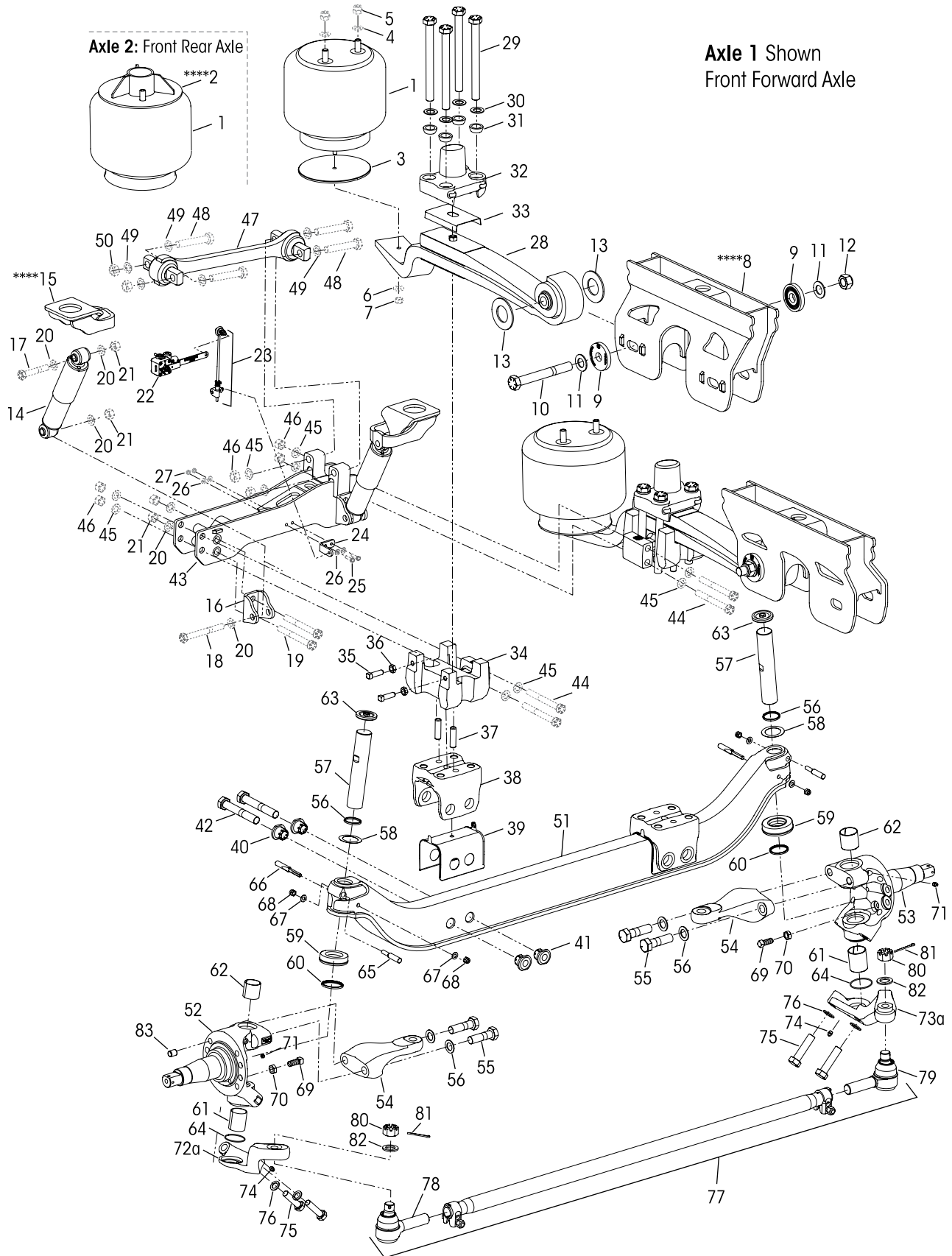
DESCRIPTION	PAGE
Parts List	2
Air Disc Brakes	4





Steer Axle 1: Front Forward • Steer Axle 2: Front Rear

12.7" Ride Height
25.6K lb Capacity per Axle





AIRTEK® NXT Twin Steer System for Link-Belt® Crane Vehicles

KEY NO.	PART NO.	DESCRIPTION	VEHICLE QTY.	KEY NO.	PART NO.	DESCRIPTION	VEHICLE QTY.
1	91125-001	Air Spring Assembly	4	44		**3/4"-10 UNC x 6 1/2" Hex Bolt	8
2	91798-000	***Upper Air Spring Bracket, Axle 2 Only	2	45		**3/4" Flat Washer	16
3	91125-101	Lower Air Spring Spacer	4	46		**3/4"-10 UNC Locknut	8
4		**3/4" Upper Air Spring Flat Washer	8	47	8232-0101-550	TRAAX ROD® Torque Rod Assembly	2
5		**3/4"-16 UNF Upper Air Spring Locknut	8	48		**7/8"-14 UNF x 5" Hex Bolt	8
6		**1/2" Lower Air Spring Hardened Washer	4	49		**7/8" Flat Washer	16
7		**1/2"-13 UNC Lower Air Spring Locknut	4	50		**7/8"-14 UNF Locknut	8
8	91776-001	***Frame Hanger Assembly	2	51	79634-001	Axle	1
	60632-048	QUIK-ALIGN Collar Service Kit, One Wheel End, Includes Key Nos. 9-13				Knuckle Assembly, Includes Key Nos. 61, 64, 70-72, 83	
9		*QUIK-ALIGN Concentric Collar	8	52	77243-001	Left Hand, Axle 1 & 2	2
10		*1 1/8" x 12-8G x 9" Hex Bolt	4	53	77243-002	Right Hand, Axle 1 & 2	2
11		*1 1/8" Hardened Washer	8	54		Steering Arm	
12		*1 1/8" x 12 UNF Locknut	4		79850-002	Left Hand, Axle 1 & 2	2
13		*Thrust Washer	8		79850-001	Right Hand, Axle 1	1
14	77538-003	Shock Absorber	4		79850-101	Right Hand, Axle 2	1
15	91794-000	Upper Shock Bracket	4	55	30550-027	1"-14 UNF x 3 1/2" Hex Bolt	8
16		Lower Shock Bracket	4	56	22962-051	1" Flat Washer	8
a	91795-001	Front Forward, Axle 1	2		34013-230	Kingpin Service Kit, One Side Includes Key Nos. 57-68, 75-76	
b	91795-002	Front Rear, Axle 2	2	57		*Kingpin	4
17		**3/4"-10 UNC x 5" Upper Shock Hex Bolt	4	58		Kingpin Shim (As needed for service)	4
18		**3/4"-10 UNC x 5" Lower Shock Hex Bolt	4	a	77241-002	0.01" Thickness	
19		**3/4"-10 UNC x 7" Lower Shock Bracket Hex Bolt	8	b	77241-003	0.02"	
20		**3/4" Flat Washer	24	59	75918-001	Thrust Bearing	4
21		**3/4"-10 UNC Locknut	16	60	75966-001	Kingpin Seal	8
22	60501-006	Height Control Valve Assembly	1	61	75919-001	Lower Kingpin Bushing	4
23	58994-067	Left Hand HCV Linkage Assembly	1	62	75919-002	Upper Kingpin Bushing	4
24	91795-003	Lower Linkage Bracket	1	63	77209-001	Grease Cap	4
25		**5/16"-18 UNC x 1 3/4" Lower Linkage Bolt	2	64	68303-004	O-Ring	4
26		**5/16" Flat Washer	4	65	75925-001	Kingpin Draw Key, 3 3/8" Length	4
27		**5/16"-18 UNC Locknut	2	66	75925-002	Kingpin Draw Key, 4 3/4" Length	4
		Leaf Spring & Clamp Group Assembly, Includes Key Nos. 28-42		67	22962-054	7/16" Flat Washer	8
	80002-003	Left Hand, Axle 1	1	68	17700-008	7/16"-14 UNC-2B Locknut	8
	80002-004	Right Hand, Axle 1	1	69	93334-001	5/8"-11 UNC x 1 1/2" Stop Bolt <i>Replaces 80183-000</i>	4
	80001-003	Left Hand, Axle 2	1	70	17491-023	5/8"-11 UNC-2B Jam Nut	4
	80001-004	Right Hand, Axle 2	1	71	33117-000	Grease Zerk	4
28		Leaf Spring Assembly				Tie Rod Arm Assembly, Includes Key No. 74	
	82417-000	Right Hand, Axle 1 / Left Hand, Axle 2	2	72a	77244-013	Left Hand, Axle 1	1
	82418-000	Left Hand, Axle 1 / Right Hand, Axle 2	2	b	77244-015	Left Hand, Axle 2 (Not Shown)	1
	34013-450	Clamp Group Fastener Service Kit, One Wheel End, Includes Key Nos 29-31		73a	77244-014	Right Hand, Axle 1	1
29	64107-009	1"-8 UNC x 10 1/2" Hex Bolt	16	b	77244-016	Right Hand, Axle 2 (Not Shown)	1
30	22962-051	1" Flat Washer	16	74	33117-000	Grease Zerk	2
31	78356-002	1" Spherical Washer	16	75	30418-014	7/8"-14 UNF x 3 1/2" Hex Bolt	8
32	80380-001	Top Pad	4	76	22962-002	7/8" Flat Washer	8
33	79273-001	Leaf Spring Liner	4	77	93759-001	Tie Rod Assembly, Heavy-duty Straight Includes Key Nos. 78-80	2
34	80379-003	Bottom Cap, Left Hand	2			Tie Rod End Service Kits,	
	80379-004	Bottom Cap, Right Hand	2		60961-890	Axle Set, Includes Kit Nos. 60961-889 and -888	
35	80483-001	5/8" x 2" Set Screw	8		60961-889	Left Hand, Includes Key Nos. 78, 80-82	
36	17491-023	5/8"-11 UNC-2B Jam Nut	8		60961-888	Right Hand, Includes Key Nos. 80-82	
37	79847-001	3/4" x 2 3/4" Dowel Pin	8			*Tie Rod End, Includes Key No. 80	
38	91799-000	Axle Seat	4	78		Left Hand	2
	34013-229	Axle Clamp Collar Service Kit, One Side Includes Key Nos. 39-42		79		Right Hand	2
39	78887-002	Axle Seat Liner	4	80		*7/8"-14 UNF-2A Castle Nut	4
40		*Axle Collar, Non Threaded	8	81		*Cotter Pin	4
41		*Axle Collar, Threaded	8	82		*7/8" Flat Washer	4
42		*1"-8 x 6 1/2" Hex Bolt	8	83	64246-000	ABS Sensor Sleeve	4
43	91796-001	Axle Bracket	2				

NOTES: Quantities specified are shown for a twin steer axle system, service kit components may vary from amount shown in lists.

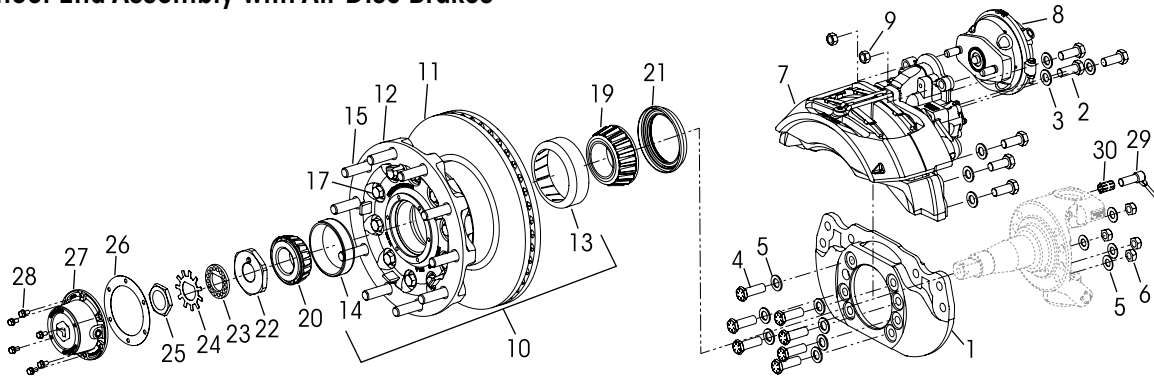
* Item included in kit/assembly only, part not sold separately.

** Not supplied by Hendrickson, used for reference only. Hendrickson is not responsible for components supplied by the vehicle manufacturer. For assistance with maintenance and service instructions on these components contact the vehicle manufacturer.

*** Item supplied by Hendrickson, this component is welded to the frame by the vehicle manufacturer. For assistance with maintenance and service instructions on these components contact the vehicle manufacturer.



Wheel End Assembly with Air Disc Brakes



KEY NO.	PART NO.	DESCRIPTION	VEHICLE QTY.
1		**Knott Torque Plate Assembly, Includes Key Nos. 4-6 Single Left Hand Kit Part No. 851120-012 2 Single Right Hand Kit Part No. 851120-011 2	
2		**Knott M18x50 mm Bolt, Part No.880004-004 24	
3		**Knott M18 Flat Washer Part No. 880010-005 24	
4	80345-004	3/4"-16 x 2 1/4" Bolt	28
5	22962-001	3/4" Flat Washer	40
6	80691-001	3/4" Locknuts	12
7		**Knott Air Disc Brake Caliper Assembly LH Part No. 108116.02 2 RH Part No. 108116.01 2 LH Part No. 108116.04, w/Reduced Copper Pad 2 RH Part No. 108116.03, w/Reduced Copper Pad 2	
8		**WABCO Brake Chamber, Includes Key No. 9 LH Part No. 4235061340 2 RH Part No. 4235061840 2	
9		*M16 Nut 8	
10		**WEBB Hub and Rotor Assembly, Includes Key Nos. 11-18, Part No. 25325XJ3T 4	
11		*Disc Brake Rotor Part No. 560958 2	
12		*Hub Assembly, Includes Key Nos. 13-14 2 Part No. 25321-0T	
13		*Inner Bearing Cup Part No. 6420 2	

KEY NO.	PART NO.	DESCRIPTION	VEHICLE QTY.
14		*Outer Bearing Cup Part No. 552A 2 **Timken Bearing Set Part No. 423, Includes Key Nos. 13, 19 Part No. 424, Includes Key Nos. 14, 20	
15		*M22 Wheel Stud, Part No. 101162 10	
16		*M22 Lug Nuts, Part No. 179935 (Not Shown) 10	
17		*5/8" Flange Screw Part No. 85732 10	
18		*ABS Ring Part No. 51049 (Not Shown) 1	
19		*Inner Bearing Cone Part No. 6461A 4	
20		*Outer Bearing Cone Part No. 555S 4	
21		**Drivparts Wheel Hub Seal, 4.375" x 5.918" Part No. 380048A 4	
22	79367-000	Spindle End 1 3/4" Locknut 4	
23	79368-000	Spindle End 1 3/4" Lock Washer 4	
24	79369-000	Spindle End Washer 4	
25	79370-000	Spindle End Outside Nut 4	
26		**Drivparts Hub Cap Gasket, Part No. G-3009 4	
27		**Dual Dynamics Hub Cap Part No. 303-PS 4	
28		*5/16"-18 UNC x 3/4" Hex Bolt with Lock Washer 24	
29		**Bendix ABS Sensor, Front Forward Only Part No. 300087A 1	
30		**Bendix ABS Sensor Clip, Front Forward Only Part No. K152407 1	

NOTES: Quantities specified are shown for a twin steer axle system, service kit components may vary from amount shown in lists.
 * Item included in kit/assembly only, part not sold separately.
 ** These components are installed by Hendrickson for new production assembly but not supplied for aftermarket service purposes. Description and part number listed for reference only. For more information and assistance with service, maintenance and rebuild instructions on these components see below component manufacturers:

- **Bendix** 800-AIR-BRAKE or www.bendix.com/en/services-and-support/b2bendix-quick-links (parts) and www.bendix.com/en/services-and-support/brake-school (training)
- **DRiV Incorporated** 800.325.8886 or www.drivparts.com
- **Dual Dynamics** 800.228.0394 or dualdynamics.com
- **Knott Brake Company** 330-948-0144 or www.knottbrake.com
- **The Timken Company** 866.984.6536 or www.timken.com/resources
- **WABCO-ZF Friedrichshafen** 855.228.3203 or www.wabco-customercentre.com
- **Webb Wheel Products** 800.633.3256 or www.webbwheel.com

This is a general parts list to provide directional information. Components may vary by model. Questions in regards to parts, contact Hendrickson Truck Parts at 1.866.755.5968 (Toll-free U.S. and Canada), 630.910.2800 (Outside U.S. and Canada) or email: truckparts@hendrickson-intl.com.

Actual product performance may vary depending upon vehicle configuration, operation, service and other factors. All applications must comply with applicable Hendrickson specifications and must be approved by the respective vehicle manufacturer with the vehicle in its original, as-built configuration. Contact Hendrickson for additional details regarding specifications, applications, capacities, and operation, service and maintenance instructions.

Call Hendrickson at 1.866.755.5968 (toll-free) or 1.630.910.2800 for additional information.



www.hendrickson-intl.com

TRUCK COMMERCIAL VEHICLE SYSTEMS
 800 South Frontage Road
 Woodridge, IL 60517-4904 USA
 1.866.755.5968 (Toll-free U.S. and Canada)
 1.630.910.2800 (Outside U.S. and Canada)
 Fax 1.630.910.2899

SP-324 Rev C 09-25

© 2022–2025 Hendrickson USA, L.L.C. All Rights Reserved. All trademarks shown are owned by Hendrickson USA, L.L.C., or one of the affiliates, in one or more countries.

Information contained in this literature was accurate at the time of publication. Product changes may have been made after the copyright date that are not reflected.

Printed in United States of America