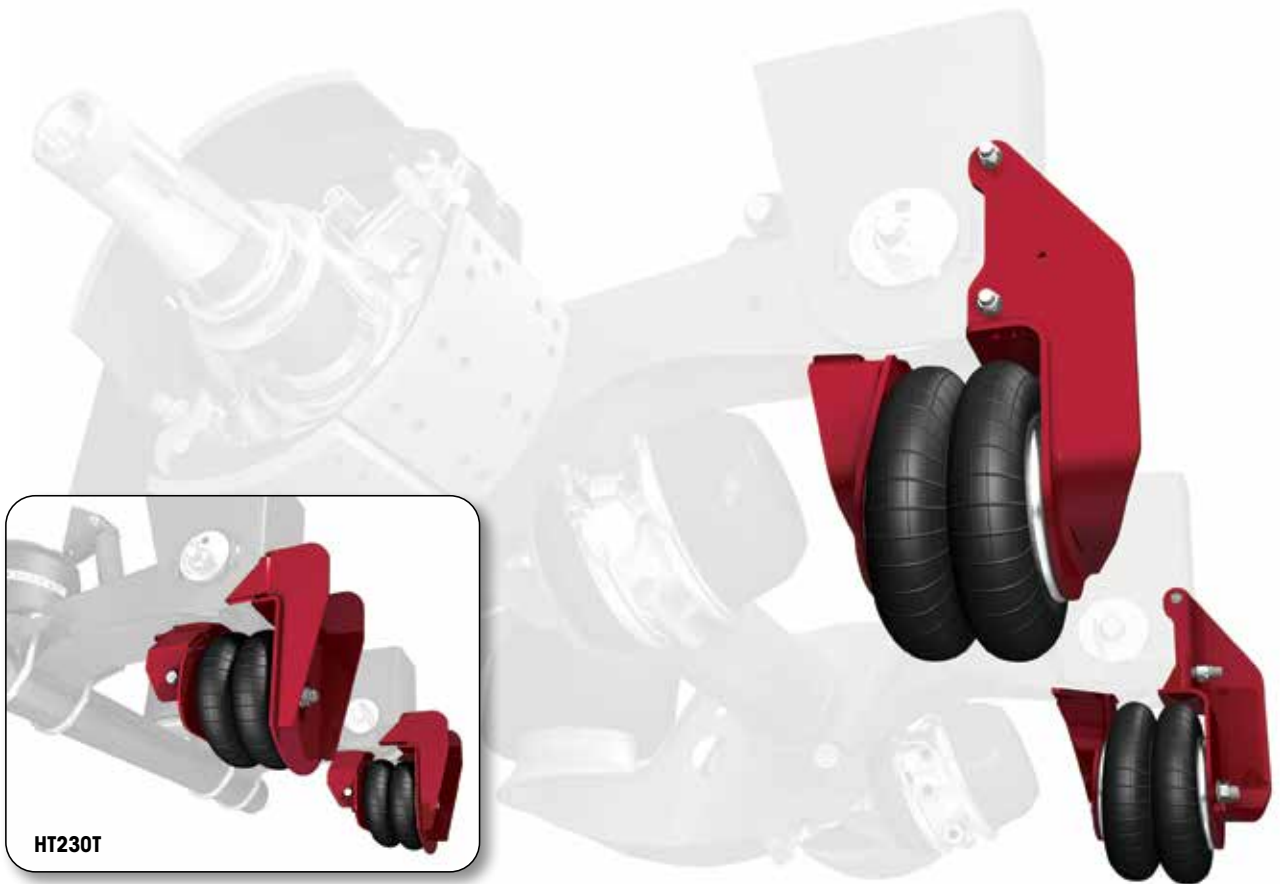


- Operational flexibility
- Improved maneuverability
- Maximized payloads



Lift Your Bottom Line

Hendrickson's UBL™ UNDER BEAM LIFT™ kits allow fleets and owner-operators to put the advantages of INTRAAX®, VANTRAAX®, CONNEX® ST and HT™ Series to work in liftable applications. Liftable axles offer operational flexibility, help extend tire life, improve trailer maneuverability, carry more payload and save on road tolls. When combined with a Hendrickson integrated air suspension system, UBL provides an efficient, lightweight, integrated lift system.



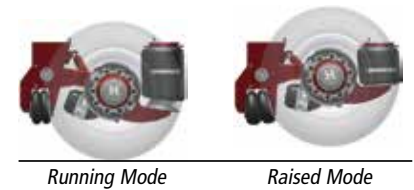
To learn more about UBL,
call 866.743.3247 or visit
www.hendrickson-intl.com

Easy Assembly

Select INTRAAX models feature a self-locating, bolt-on frame bracket mount that eases installation by eliminating tedious positioning and labor-intensive welding. It is also compatible with corrosion protective frame bracket coating options, allowing you to specify galvanized coating if needed.

UBL™ UNDER BEAM LIFT™ Features and Benefits

- **Lightweight:** At less than 75 pounds, the UBL™ is lighter than other lift mechanisms on the market
- **Compact:** The small package attaches easily to existing hangers and leaves plenty of room for auxiliary equipment
- **Durable:** Manufactured with the same rugged craftsmanship that has made our suspensions the industry standard
- **User-friendly:** Simple to install and operate and easy to retrofit on INTRAAX®, CONNEX® ST and HT™ Series models
- **Low maintenance:** With fewer moving parts than other lift products, UBL helps deliver years of trouble-free service



Specifications

| Product Family | Suspension | UBL Kit | Attachment* | | Coating | | Comments |
|----------------|---------------------------------------|-------------|-------------|---------|---------|---|--|
| | | | Weld-On | Bolt-On | Painted | Galvanized** | |
| INTRAAX® | AAT 23/25/30K | UBL-001 | X | | X | | Recommended for lifting in unloaded conditions only |
| | | UBL-101 | | X | X | | |
| | | UBL-102 | | X | | X | |
| | AAL 23/25K AAEDT 30K | UBL-002 | X | | X | | Approved for lifting in loaded and unloaded condition |
| | | UBL-201 | | X | X | | |
| | | UBL-202 | | X | | X | |
| | AAL 30K AAEDL 30K | UBL-003 | X | | X | | Approved for lifting in loaded and unloaded condition; includes crossover valve |
| | | UBL-301 | | X | X | | |
| | | UBL-302 | | X | | X | |
| | AANT | UBL-004 | X | | X | | Recommended for lifting in unloaded conditions only |
| | | UBL-401 | | X | X | | |
| | | UBL-402 | | X | | X | |
| AANL | UBL-005 | | X | X | | Approved for lifting in loaded and unloaded condition | |
| | UBL-005GV | | X | | X | | |
| INTRAAX SP | AAZNT 23K AAZNT 46K AAZNT 69K23 | UBL-401 | | X | X | | |
| | AAZL 23K AAZL 46K | UBL-201 | | X | X | | |
| HT™ Series | HT230/300 | UBL-001 | X | | X | | Recommended for lifting in unloaded conditions only |
| | HT250T | UBL-002 | X | | X | | Approved for lifting in loaded and unloaded condition |
| | | UBL-003 | X | | X | | Approved for lifting in loaded and unloaded condition; includes crossover valve |
| CONNEX® ST | CXSL 25K | UBL-201/202 | | X | X | X | Approved for lifting in loaded and unloaded condition |
| VANTRAAX® | HKANL | UBL-005 | | X | X | | |
| | HKAT | UBL-101 | | X | X | | |
| | HKAL | UBL-201 | | X | X | | |
| | HKARL | UBL-201 | | X | X | | |
| | HKANT (units built before Oct. 2016) | UBL-401 | | X | X | | |
| | HKANT (units built after Oct. 2016) | UBL-601 | | X | X | | Drill to retrofit. Used on sliders only. |
| UBL-602 | | | X | | X | | |

* "Attachment" describes the connection of the UBL bracket to the frame bracket. ** Galvanized option includes a galvanized bolt-on front bracket. All other components primed.

These products are covered by at least one or more U.S. and/or foreign patents and/or pending U.S. and/or foreign patent applications. See Hendrickson for details.

Actual product performance may vary depending upon vehicle configuration, operation, service and other factors. Refer to L801 Liftable Suspension Guide.

All applications must comply with applicable Hendrickson specifications and must be approved by the respective vehicle manufacturer with the vehicle in its original, as-built configuration.

Contact Hendrickson for additional details regarding specifications, applications, capacities, and operation, service and maintenance instructions.

Call Hendrickson at **866.RIDEAIR (743.3247)** for additional information.



www.hendrickson-intl.com

TRAILER COMMERCIAL VEHICLE SYSTEMS

2070 Industrial Place SE
Canton, OH 44707-2641 USA
866.RIDEAIR (743.3247)
Fax 800.696.4416

Hendrickson Canada ULC

2825 Argenta Road, Unit #2 - 4
Mississauga, ON Canada L5N 8G6
800.668.5360
905.789.1030 • Fax 905.812.9423

Hendrickson Mexicana

Circuito El Marqués Sur #29
Parque Industrial El Marqués
Pob. El Colorado, Municipio El Marqués,
Querétaro, México C.P. 76246
+52 (442) 296.3600 • Fax +52 (442) 296.3601