

H PARTS LIST

SOFTEK® /AIRTEK® Front Suspension System for FCCC Motorhome Chassis

LIT NO: SP-183

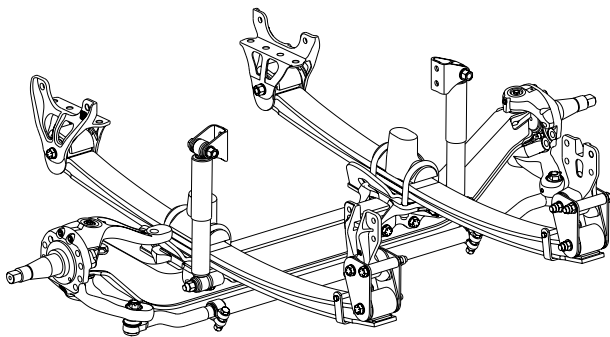
DATE: March 2025

REVISION: H

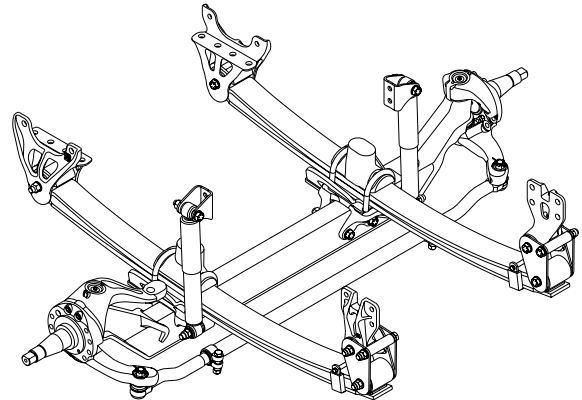
CONTENTS

DESCRIPTION	PAGE	DESCRIPTION	PAGE
■ SOFTEK with STEERTEK NXT Axle, 9K • 10K • 12K Vehicles built after March 2012	2	■ SOFTEK with STEERTEK Axle, 9K•10K Vehicles built prior to May 2010.	6
■ SOFTEK with STEERTEK 1.5 Axle, 9K • 10K • 12K Vehicles built between May 2010 and March 2012	4	■ AIRTEK with STEERTEK NXT Axle, 10K	8

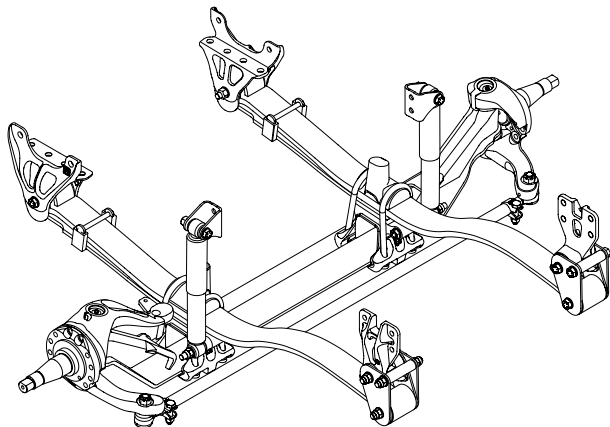
SOFTEK with STEERTEK NXT Axle



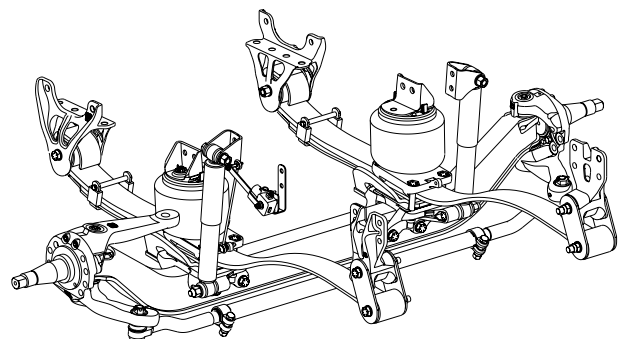
SOFTEK with STEERTEK 1.5 Axle



SOFTEK with STEERTEK Axle



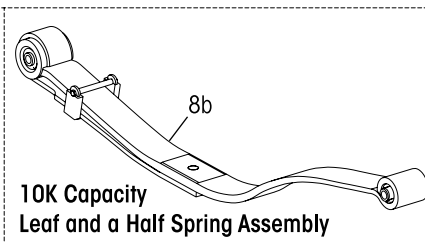
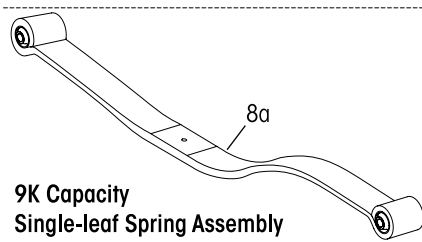
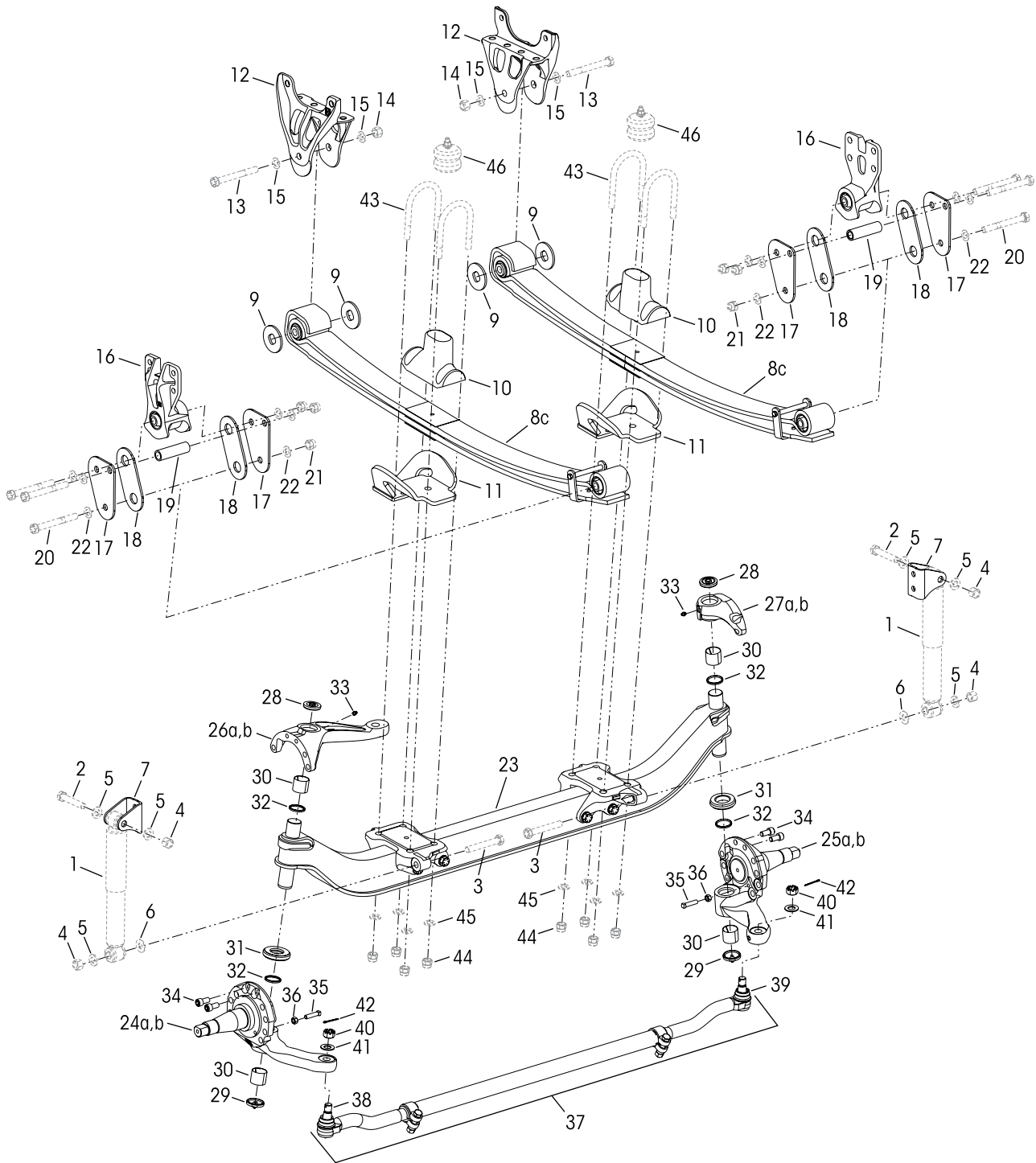
AIRTEK with STEERTEK NXT Axle





Vehicles built with STEERTEK NXT axle after March 2012

9K • 10K • 12K Capacity





SOFTEK® with STEERTEK™ NXT Axle for FCC Motorhome Chassis

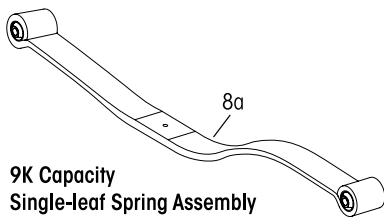
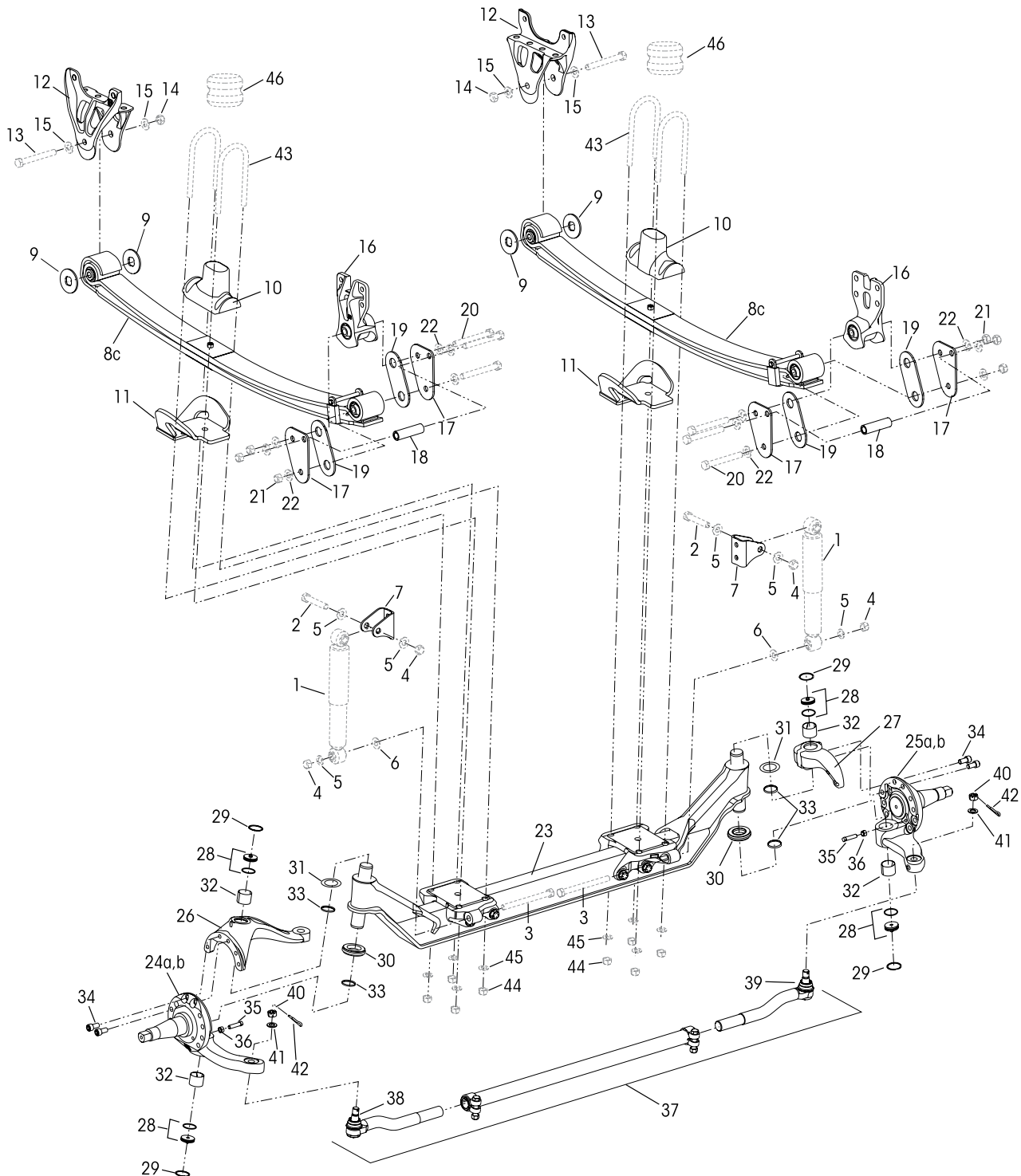
KEY NO.	PART NO.	DESCRIPTION	VEHICLE QTY.	KEY NO.	PART NO.	DESCRIPTION	VEHICLE QTY.
1		*Shock Absorber	2			Upper Steering Knuckle Assembly, Includes Key Nos. 28, 30, 32-33	
2		*3/4"-10 UNC x 4" Upper Shock Bolt	2	26		Left Hand	1
3		*3/4"-10 UNC x 5" Lower Shock Bolt	2	a	60903-251	Equipped with Hydraulic Brakes	
4		*3/4"-10 UNC Hex Locknut	4	b	60903-453	Equipped with Air Brakes	
5		*3/4" Hardened Washer	6	27		Right Hand	1
6		*Shock Spacer - 1/8" Thick	2	a	60904-234	Equipped with Hydraulic Brakes	
7	59423-002	Shock Bracket	2	b	60904-432	Equipped with Air Brakes	
8		Spring Assembly, Includes Spring Eye Bushings	2		60961-630	Kingpin Bushing and Roller Thrust Bearing Service Kit, One Side , Includes Key Nos. 28-34 & Loctite	
a	66415-002	9K, Single-leaf		28	68687-003	Grease Cap Assembly, Upper	2
b	65710-002	10K, Leaf and a Half		29	68687-002	Grease Cap Assembly, Lower	2
c	68115-001	12K, 2-Leaf		30	58909-001	Kingpin Bushing	4
9	67493-000	Thrust Washer - Front Hanger	4	31	64256-000	Roller Thrust Bearing	2
10	65714-000	Top Pad	2	32	68731-000	Kingpin Seal	4
11	68759-004	Sway Bar Bracket	2	33	33117-000	Grease Zerk	2
12	66297-000	Front Hanger	2	34	60236-001	5/8"-11 UNC Socket Head Cap Screw	4
13		*3/4"-10 UNC x 6 1/2" Bolt	2	Not Shown	60937-000	Loctite® (Red) Compound Tube	1
14		*3/4"-10 UNC Locknut	2		60961-069	Stop Bolt Service Kit, One Side , Includes Key Nos. 35-36	
15		*3/4" Hardened Washer	4	35	60238-001	1/2"-13 UNC Square Head Bolt	2
16	64316-000	Rear Shackle Bracket and Bushing Assembly	2	36	60240-000	1/2"-13 UNC Hex Jam Nut	2
17	66413-000	Rear Shackle Plate	4	37	68869-001	Tie Rod Assembly, 9K•10K•12K 69 KPI, 5.36 Drop, 250 Ackermann Includes Key Nos. 38-40	1
18	64159-000	Rear Shackle Wear Pad	4	38		**Left Hand Tie Rod End	1
19	60631-000	Shackle Stop Tube	2	39		**Right Hand Tie Rod End	1
20		*3/4"-10 UNC x 6 1/2" Hex Bolt	6	40		7/8" -14 UNF-2A Castle Nut	2
21		*3/4"-10 UNC Hex Nylocknut	6	41	22962-007	7/8" Flat Washer	2
22		*3/4" Hardened Washer	12	42	17800-004	Tie Rod Nut Cotter Pin	2
		STEERTEK NXT Axle Assembly, 250 Ackermann	1	43		*3/4"-16 UNF x 6 1/2" U-bolt	4
	68927-004	Equipped with Hydraulic Brakes, Includes Key Nos. 23, 24a-27a, 31, 34, 37, 41-42		44		*3/4"-16 UNF Hex Locknut	8
	68927-005	Equipped with Air Brakes, Includes Key Nos. 23, 24b-27b, 31, 34, 37, 41-42		45		*3/4" Hardened Washer	8
23	68926-003M	Axle & Kingpin Assembly	1	46		*Auxiliary Spring	2
		Lower Steering Knuckle Assembly, 250 Ackermann Includes Key Nos. 29-30, 32, 35-36					
24		Left Hand	1				
a	58900-267	Equipped with Hydraulic Brakes					
b	58900-469	Equipped with Air Brakes					
25		Right Hand	1				
a	58900-268	Equipped with Hydraulic Brakes					
b	58900-470	Equipped with Air Brakes					

NOTE: * Not supplied by Hendrickson, used for reference only. Hendrickson is not responsible for components supplied by the vehicle manufacturer. For assistance with maintenance and rebuild instructions on these components see vehicle manufacturer.

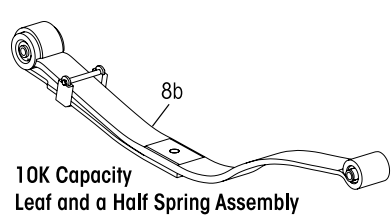
** Item included in kit/assembly only, part not sold separately.



Vehicles built with STEERTEK 1.5 axle between May 2010 and March 2012 9K • 10K • 12K Capacity



9K Capacity
Single-leaf Spring Assembly



10K Capacity
Leaf and a Half Spring Assembly



SOFTEK® with STEERTEK™ 1.5 Axle for FCC Motorhome Chassis

KEY NO.	PART NO.	DESCRIPTION	VEHICLE QTY.	KEY NO.	PART NO.	DESCRIPTION	VEHICLE QTY.
1		*Shock Absorber	2			Upper Steering Knuckle Assembly, Includes Key Nos. 32-33	
2		*3/4"-10 UNC x 4" Upper Shock Bolt	2	26	60903-051	Left Hand	1
3		*3/4"-10 UNC x 5" Lower Shock Bolt	2	27	60904-034	Right Hand	1
4		*3/4"-10 UNC Hex Locknut	4		60961-039	Kingpin Bushing and Roller Thrust Bearing Service Kit, One Wheel End, Includes Key Nos. 28-34 & Loctite	
5		*3/4" Hardened Washer	6	28	59156-000	Grease Cap Assembly	4
6		* Shock Spacer - 1/8" Thick	2	29	58937-000	Retaining Ring	4
7	59423-002	Shock Bracket	2		60961-042	Roller Thrust Bearing Service Kit, One Wheel End, Includes Key Nos. 31-34 & Loctite	
8		Spring Assembly, Includes Spring Eye Bushings	2	30	64256-000	Roller Thrust Bearing	2
	a 66415-002	9K, Single-leaf		31		Kingpin Shim	As Req.
	b 65710-002	10K, Leaf and a Half			60259-001X	0.005" Thickness (Pack of 4)	
	c 68115-001	12K, 2-Leaf			60259-002	0.047" Thickness	
9	67493-000	Thrust Washer - Front Hanger	4	32	58909-000	Kingpin Bushing	4
10	65714-000	Top Pad	2	33	58910-001	Kingpin Seal	4
11	68759-003	Sway Bar Bracket	2	34	60236-001	5/8"-11 UNC Socket Head Cap Screw	4
12	66297-000	Front Hanger	2	Not Shown	60937-000	Loctite (Red) Compound Tube	2
13		*3/4"-10 UNC x 6 1/2" Bolt	2		60961-069	Stop Bolt Service Kit, One Side, Includes Key Nos. 35-36	
14		*3/4"-10 UNC Locknut	2	35	60238-001	1/2"-13 UNC Square Head Bolt	2
15		*3/4" Hardened Washer	4	36	60240-000	1/2"-13 UNC Hex Jam Nut	2
16	64316-000	Rear Shackle Bracket and Bushing Assembly	2	37	68869-001	Tie Rod Assembly, 9K•10K•12K 69 KPI, 5.36 Drop, 250 Ackermann Includes Key Nos. 38-40	1
17	66413-000	Rear Shackle Plate	4	38		**Left Hand Tie Rod End	1
18	60631-000	Rear Shackle Stop Tube	2	39		**Right Hand Tie Rod End	1
19	64159-000	Rear Shackle Wear Pad	4	40		**7/8"-14 UNF-2A Castle Nut	2
20		*3/4"-10 UNC x 6 1/2" Hex Bolt	6	41	22962-007	7/8" Flat Washer	2
21		*3/4"-10 UNC Hex Nylocknut	6	42	17800-004	Tie Rod Nut Cotter Pin	2
22		*3/4" Hardened Washer	12	43		*3/4"-16 UNF x 6 1/2" U-bolt	4
		STEERTEK 1.5 Axle Assembly, 250 Ackermann	1	44		*3/4"-16 UNF Hex Locknut	8
	66927-004	Equipped with Hydraulic Brakes, Includes Key Nos. 23, 24a-25a, 26-31, 34-37, 41-42 <i>Replaces 66928-004</i>		45		*3/4" Hardened Washer	8
	66927-005	Equipped with Air Brakes, Includes Key Nos. 23, 24b-25b, 26-31, 34-37, 41-42 <i>Replaces 66928-005,</i>		46		*Auxiliary Spring	2
23	66926-003M	Axle & Kingpin Assembly, <i>Replaces 66926-002</i>	1				
		Lower Steering Knuckle Assembly, 250 Ackermann, Includes Key Nos. 32-33					
24		Left Hand	1				
	a 58900-067	Equipped with Hydraulic Brakes					
	b 58900-095	Equipped with Air Brakes					
25		Right Hand	1				
	a 58900-068	Equipped with Hydraulic Brakes					
	b 58900-096	Equipped with Air Brakes					

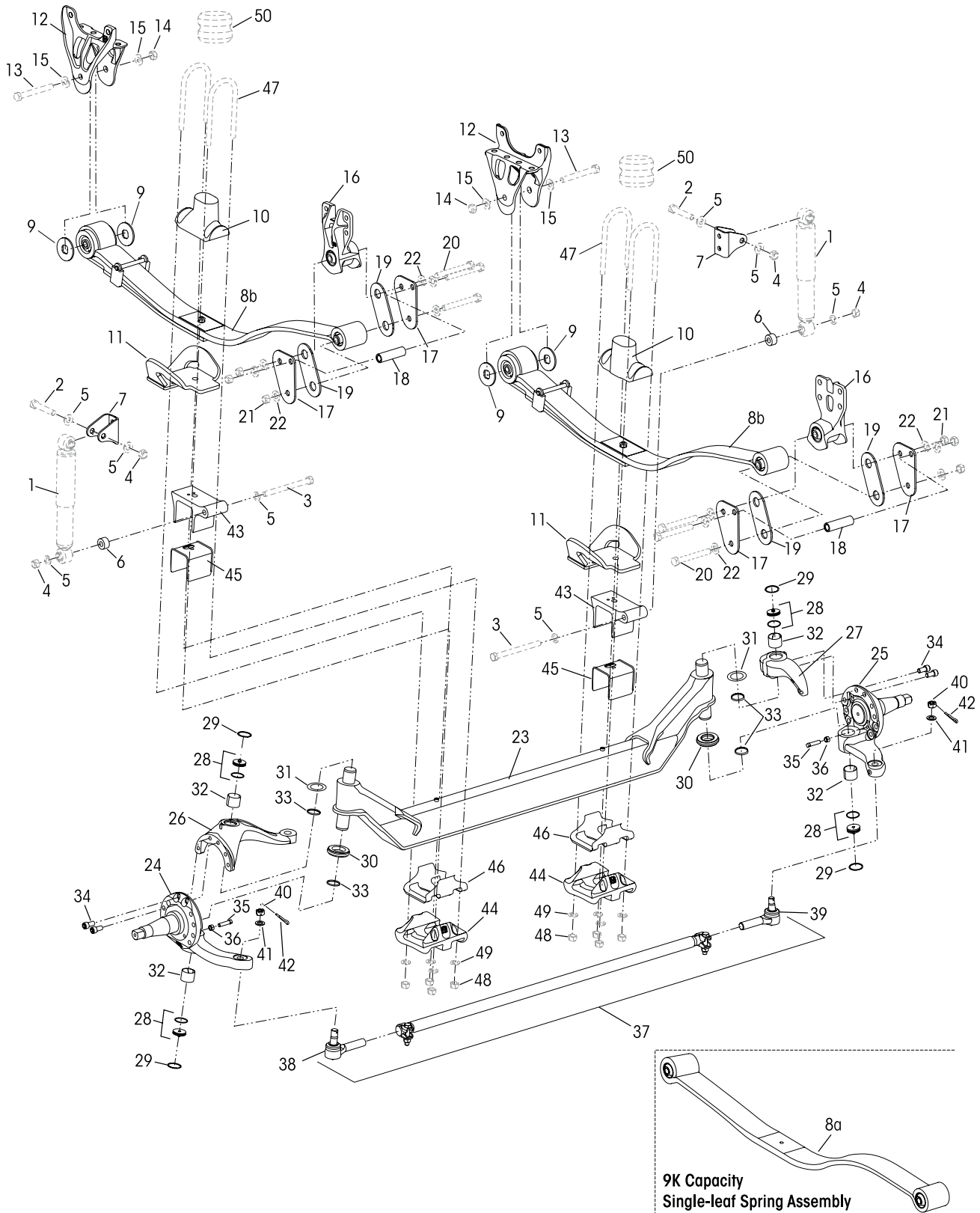
NOTE: * Not supplied by Hendrickson, used for reference only. Hendrickson is not responsible for components supplied by the vehicle manufacturer. For assistance with maintenance and rebuild instructions on these components see vehicle manufacturer.

** Item included in kit/assembly only, part not sold separately.



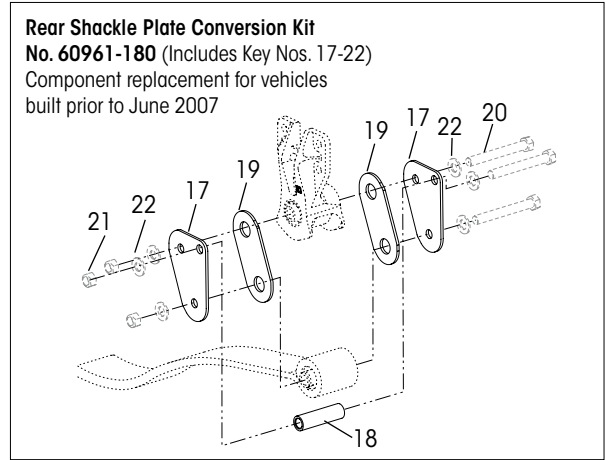
Vehicles built with STEERTEK axle prior to May 2010

9K • 10K Capacity





KEY NO.	PART NO.	DESCRIPTION	VEHICLE QTY.	KEY NO.	PART NO.	DESCRIPTION	VEHICLE QTY.
1		*Shock Absorber	2	28	59156-000	Grease Cap Assembly	4
2		*3/4"-10 UNC x 4" Upper Shock Bolt	2	29	58937-000	Retaining Ring	4
3		*3/4"-10 UNC x 5" Lower Shock Bolt	2		60961-042	Roller Thrust Bearing Service Kit, One Wheel End , Includes Key Nos. 31-34 and Loctite	
4		*3/4"-10 UNC Hex Locknut	4	30	64256-000	Roller Thrust Bearing	2
5		*3/4" Hardened Washer	8	31		Kingpin Shim	As Req.
6	59946-002	Shock Spacer	2		60259-001X	0.005" Thickness (Pack of 4)	
7	59423-002	Shock Bracket	2		60259-002	0.047" Thickness	
8		Spring Assembly, Includes Spring Eye Bushings	2	32	58909-000	Kingpin Bushing	4
a	66415-002	9K, Single-leaf		33	58910-001	Kingpin Seal, <i>Replaces 58910-000</i>	4
b	65710-002	10K, <i>Replaces 65710-001</i>		34	60236-001	5/8"-11 UNC Socket Head Cap Screw	4
9	67493-000	Thrust Washer - Front Hanger <i>Replaces 65899-000</i>	4	Not Shown	60937-000	Loctite (Red) Compound Tube	2
10	65925-000	Top Pad	2		60961-069	Stop Bolt Service Kit, One Side , Includes Key Nos. 35-36	
11	68759-003	Sway Bar Bracket, <i>Replaces 66233-001</i>	2	35	60238-001	1/2"-13 UNC Square Head Bolt	2
12	66297-000	Front Hanger, <i>Replaces 65711-000</i>	2	36	60240-000	1/2"-13 UNC Hex Jam Nut	2
13		*3/4"-10 UNC x 6 1/2" Bolt	2	37	60239-007	*****Tie Rod Assembly, Includes Key Nos. 38-40 <i>Replaces 64801-006</i>	1
14		*3/4"-10 UNC Locknut	2	38		**Left Hand Tie Rod End	1
15		*3/4" Hardened Washer	4	39		**Right Hand Tie Rod End	1
16	64316-000	Rear Shackle Bracket and Bushing Assembly	2	40		**7/8" Castle Nut	2
17	66413-000	Rear Shackle Plate <i>***Rear Shackle Plate 64314-000, Replace with Conversion Kit No. 60961-180</i>	4	41	22962-007	7/8" Flat Washer	2
18	60631-000	Rear Shackle Stop Tube	2	42	17800-004	Tie Rod Nut Cotter Pin	2
19	64159-000	Rear Shackle Wear Pad	4	43	59952-024	Top Axle Wrap	2
20		*3/4"-10 UNC x 6 1/2" Hex Bolt	6	44		****Bottom Axle Wrap	2
21		*3/4"-10 UNC Hex Locknut	6	45	60508-000	Top Axle Wrap Liner	2
22		*3/4" Hardened Washer	12	46	59845-000	Bottom Axle Wrap Liner	2
	70952-XXX	STEERTEK Axle Assembly , Includes Key Nos. 23-31, 34-37, 41-46 Contact Hendrickson Tech Services for Part No.	1	47		*3/4"-16 UNF x 10" U-bolt	4
23	64905-004	Axle & Kingpin Assembly	1	48		*3/4"-16 UNF Hex Locknut	8
24		Left Hand Lower Steering Knuckle Assembly Includes Key Nos. 32-33 • 200 Ackermann Equipped with Hydraulic Brakes • 250 Ackermann Equipped with Hydraulic Brakes • 250 Ackermann Equipped with Air Disc Brakes	1	49		*3/4" Hardened Washer	8
	58900-063			50		*Auxiliary Spring	2
	58900-067						
	58900-001						
25		Right Hand Lower Steering Knuckle Assembly Includes Key Nos. 32-33 • 200 Ackermann Equipped with Hydraulic Brakes • 250 Ackermann Equipped with Hydraulic Brakes • 250 Ackermann Equipped with Air Disc Brakes	1				
	58900-064						
	58900-068						
	58900-002						
26	60903-051	Left Hand Upper Steering Knuckle Assembly Includes Key Nos. 32-33	1				
27	60904-034	Right Hand Upper Steering Knuckle Assembly Includes Key Nos. 32-33	1				
	60961-039	Kingpin Bushing w/Roller Thrust Bearing Service Kit, One Wheel End , Includes Key Nos. 28-34 and Loctite					



NOTE: * Not supplied by Hendrickson, used for reference only. Hendrickson is not responsible for components supplied by the vehicle manufacturer. For assistance with maintenance and rebuild instructions on these components see vehicle manufacturer.

** Item included in kit/assembly only, part not sold separately.

*** No longer available. See Rear Shackle Plate Conversion Kit No. 60961-180.

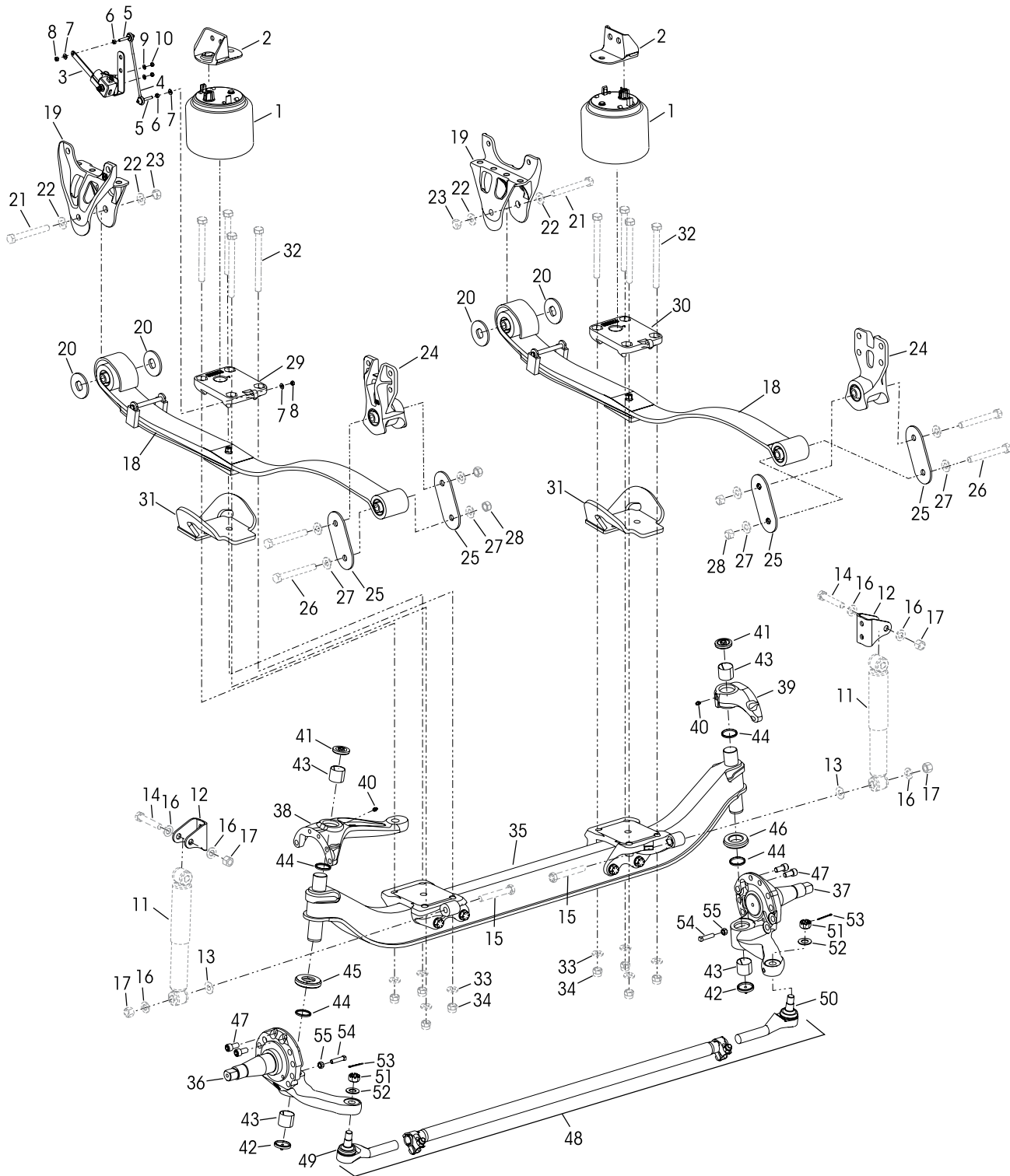
**** No longer available, contact Hendrickson for replacement.

***** The tie rod assembly is designed for use on a suspension system with hydraulic brakes, it is not designed for vehicles equipped with air brakes.



Vehicles built with STEERTEK NXT axle

10K Capacity





AIRTEK® with STEERTEK™ NXT Axle for FCC Motorhome Chassis

KEY NO.	PART NO.	DESCRIPTION	VEHICLE QTY.	KEY NO.	PART NO.	DESCRIPTION	VEHICLE QTY.
1	64075-002L	Air Spring	2	36	58900-469	Left Hand	1
2	60850-001	Air Spring Bracket	2	37	58900-470	Right Hand	1
	70417-000	HCV, Link Mount & Linkage Assembly, Includes Key Nos. 3-10	1			Upper Steering Knuckle Assembly, Includes Key Nos. 40-41, 43-44	
3	60501-000	Height Control Valve	1	38	60903-436	Left Hand	1
4	59428-002	Linkage Assembly	1	39	60904-432	Right Hand	1
5	59169-003	5/16"-18 UNC Stud	2		60961-628	Kingpin Bushing and Bearing Service Kit, Axle Set , Includes Kit Nos. 60961-629 & -630	
6	17491-011	5/16"-18 UNC 2B Nut	2		60961-629	Left Hand Kingpin Bushing with Composite Thrust Bearing, Service Kit , Includes Key Nos. 40-45, 47, Loctite	
7	22962-029	5/16" Flat Washer	3		60961-630	Right Hand Kingpin Bushing with Roller Thrust Bearing Service Kit , Includes Key Nos. 40-44, 46-47 & Loctite	
8	59016-000	5/16"-18 UNC 2B Nut	2	40	33117-000	Grease Zerk	2
9	22962-028	1/4" Flat Washer	2	41	68687-003	Grease Cap Assembly, Upper	2
10	49983-000	1/2"-20 UNC Locknut	2	42	68687-002	Grease Cap Assembly, Lower	2
11		*Shock Absorber	2	43	58909-001	Kingpin Bushing	4
12	59423-002	Shock Bracket	2		60961-631	Thrust Bearing Service Kit, Axle Set , Includes Kit Nos. 60961-632 & -633	
13		*Shock Spacer - 1/8" Thick	2		60961-632	Left Hand Composite Thrust Bearing Service Kit , Includes Key Nos. 44-45, 47 & Loctite	
14		*3/4"-10 UNC x 4" Upper Shock Bolt	2		60961-633	Right Hand Roller Thrust Bearing Service Kit , Includes Key Nos. 44, 46-47 & Loctite	
15		*3/4"-10 UNC x 5" Lower Shock Bolt	2	44	68731-000	Kingpin Seal	4
16		*3/4" Flat Washer	6	45	59828-000	Left Hand Composite Thrust Bearing	1
17		*3/4"-10 UNC Hex Locknut	4	46	64256-000	Right Hand Roller Thrust Bearing	1
18	53468-000	Leaf Spring Assembly	2	47	60236-001	5/8"-11 UNC Socket Head Cap Screw	4
19	66297-000	Front Hanger	2	Not Shown	60937-000	Loctite® (Red) Compound Tube	1
20	67493-000	Thrust Washer - Front Hanger	4	48	68869-001	Tie Rod Assembly, Includes Key Nos. 49-51	1
21		*3/4"-10 UNF x 6 1/2" Hex Bolt	2	49		**7/8" -14 UNF-2A Castle Nut	2
22		*3/4" Flat Washer	4	50		**Left Hand Tie Rod End	1
23		*3/4"-10 UNF 2B Locknut	2	51		**Right Hand Tie Rod End	1
24	66510-001	Rear Shackle Bracket and Bushing Assembly	2	52	22962-007	7/8" Flat Washer	2
25	64314-000	Rear Shackle Plate	4	53	17800-004	Tie Rod Nut Cotter Pin	2
26		*3/4"-10 UNC x 6 1/2" Hex Bolt	4		60961-069	Stop Bolt Service Kit, One Side , Includes Key Nos. 54-55	
27		*3/4" Washer	8	54	60238-001	1/2"-13 UNC Square Head Bolt	2
28		*3/4"-10 UNC Hex Locknut	4	55	60240-000	1/2"-13 UNC Hex Jam Nut	2
29	64516-001	Left Hand Top Pad	1				
30	64516-002	Right Hand Top Pad	1				
31	68759-004	Sway Bar Bracket	2				
32		*3/4"-16 UNF x 5 1/2" Hex Bolt	8				
33		*3/4" Flat Washer	8				
34		*3/4"-16 UNF 2B Locknut	8				
	68927-006	STEERTEK NXT Axle Assembly, 69" KPI, 5.36" Drop, 250 Ackermann, Includes Key Nos. 35-39, 45-48, 52-53	1				
35	68926-003M	Axle & Kingpin Assembly Lower Steering Knuckle Assembly, Includes Key Nos. 42-44, 54-55	1				

NOTE: * Not supplied by Hendrickson, used for reference only. Hendrickson is not responsible for components supplied by the vehicle manufacturer. For assistance with maintenance and rebuild instructions on these components see vehicle manufacturer.

** Item included in kit/assembly only, part not sold separately.

This is a general parts list to provide directional information. Components may vary by model. Questions in regards to parts, contact Hendrickson Truck Parts at 1.866.755.5968 (Toll-free U.S. and Canada), 630.910.2800 (Outside U.S. and Canada) or email: truckparts@hendrickson-intl.com during normal business hours. Actual product performance may vary depending upon vehicle configuration, operation, service and other factors. All applications must comply with applicable Hendrickson specifications and must be approved by the respective vehicle manufacturer with the vehicle in its original, as-built configuration. Contact Hendrickson for additional details regarding specifications, applications, capacities, and operation, service and maintenance instructions.

*Call Hendrickson at **1.866.755.5968** (toll-free) or **1.630.910.2800** for additional information.*



www.hendrickson-intl.com

TRUCK COMMERCIAL VEHICLE SYSTEMS
800 South Frontage Road
Woodridge, IL 60517-4904 USA
1.866.755.5968 (Toll-free U.S. and Canada)
1.630.910.2800 (Outside U.S. and Canada)
Fax 1.630.910.2899

SP-183 Rev H 04-25

© 2005 – 2025 Hendrickson USA, L.L.C. All Rights Reserved. All trademarks shown are owned by Hendrickson USA, L.L.C., or one of the affiliates, in one or more countries.

Information contained in this literature was accurate at the time of publication. Product changes may have been made after the copyright date that are not reflected.

Printed in United States of America