

H SELECTION GUIDE

RT™ • RTE™ Rear Suspension Leaf Spring Frame Hangers

LIT NO: 45745-038

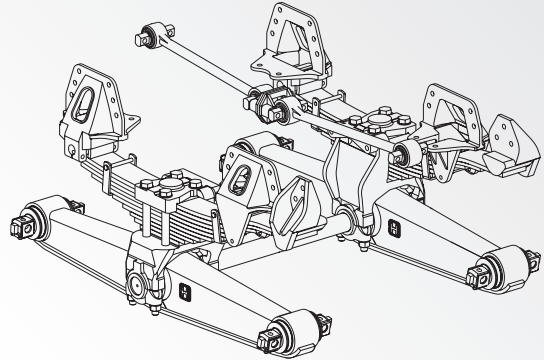
DATE: June 2026

REVISION: H

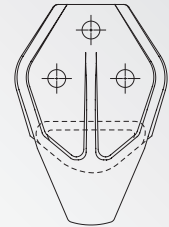
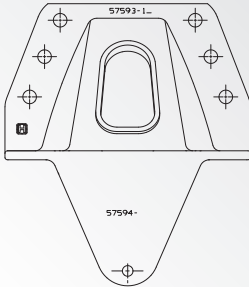
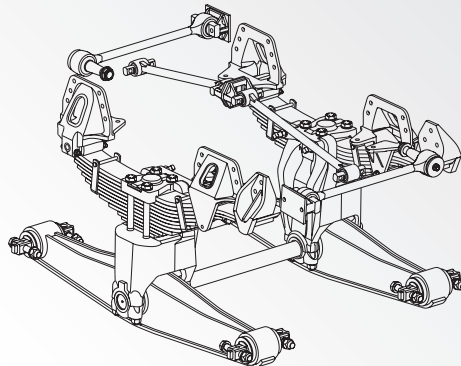
CONTENTS

DESCRIPTION	PAGE
Introduction	2
Selection Guide Instructions	2
#1 Front Frame Hanger	3
#2 Rear Frame Hanger	4-5
#3 Extended Leaf Frame Hanger	6-7

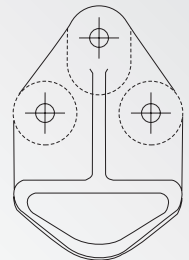
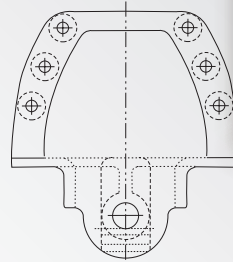
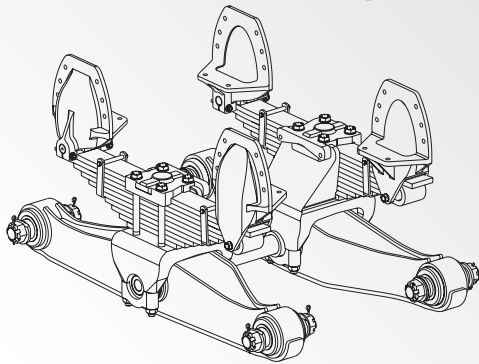
RT/RTE 34K/40K/46K



RT/RTE 48K/50K/52K



HEAVY-DUTY RT 65K/70K





Introduction

This RT/RTE Frame Hanger Selection Guide is intended to aid in the proper identification for aftermarket replacement of originally equipped RT/RTE/RU/RUE/U/UE drilled hangers.

Refer to RT/RTE suspension Hendrickson publications:

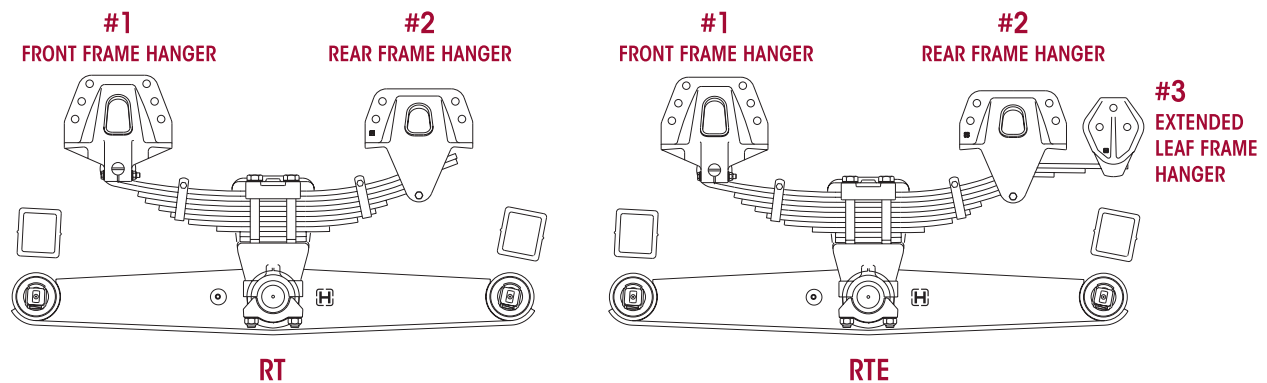
- SP-168 for part numbers, exploded views, service kits and service tools.
- 17730-070, 17730-149 and 17730-214 for proper maintenance, service, repair and rebuild instructions.

The latest version of these publications are available online at www.hendrickson-intl.com.

Selection Guide Instructions

STEP 1

Identify Hanger

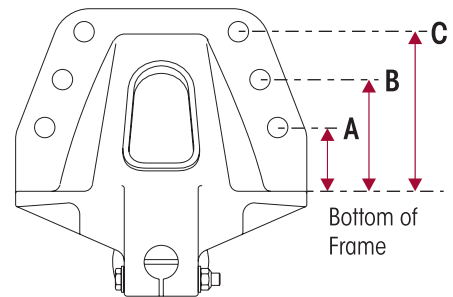


STEP 2

Find Bolt Hole Pattern Dimensions

Common 6 - Hole Bolt Patterns

A	B	C
2 $\frac{1}{16}$ "	5 $\frac{3}{8}$ "	7 $\frac{5}{8}$ "
2 $\frac{1}{16}$ "	4 $\frac{1}{2}$ "	6 $\frac{7}{16}$ "



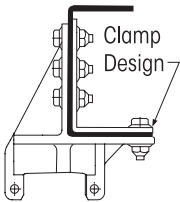
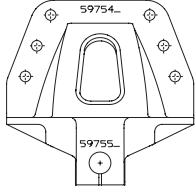
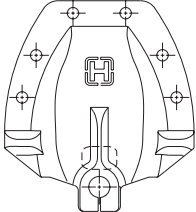
STEP 3

Confirm the Vehicle Year, Manufacturer and Obtain the Casting Part Number

Contact Hendrickson Truck Parts for questions regarding a casting number or a vehicle manufacturer not listed, email: truckparts@hendrickson-intl.com.



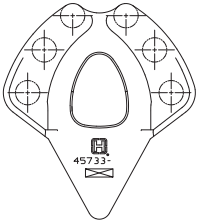
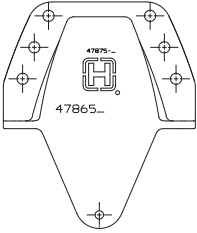
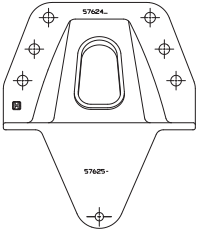
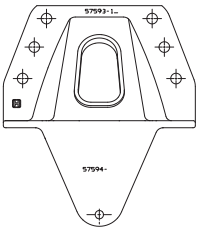
#1 Front Frame Hanger

	CASTING NUMBER		1 3/8" Spring Pin Diameter		REMARKS	
	ORIGINAL	REPLACEMENT	ORIGINAL	REPLACEMENT		
  CLAMP MOUNT	◆ 20395-000	50188-000	◆ 24311-000 ◆ 25913-000 ◆ 32503-000 ◆ 45404-001 ◆ 45404-002	50189-003		
	◆ 43180-000	50184-000	◆ 45404-003 ◆ 45729-001	50185-001	Volvo with 3/4" bolts Mack w/body bound bolts	
	◆ 45159-000	50188-000	◆ 45404-002 ◆ 43181-003	50189-003	Mack, Volvo GMC, Mack, Volvo	
	◆ 45527-000	50180-000	◆ 45528-001 ◆ 45736-001	50181-005 50181-002	Ford	
	50180-000		50181-001L 50181-002L 50181-003 50181-004 50181-005 50181-007 50181-008		Ford Kenworth Peterbilt 34" frame International Mack Oshkosh Peterbilt	
	50184-000		50185-001 50185-002 50185-003		Mack, Volvo Freightliner 34.3" frame Mack w/body bound bolts	
	50188-000		50189-001L 50189-003L ◆ 50189-004 50189-006	50189-006	Ford Peterbilt 34.75" frame Freightliner International	
	59754-000		59755-001		Volvo 33.4" frame	
	RT 65K/70K 	45789-000		◆ 45790-001 45790-002 45790-003 45790-004	45790-003	Crane Carrier, GMC, Oshkosh, Freightliner, Peterbilt 34" frame, Volvo Peterbilt 35" frame Peterbilt 34.75" frame Volvo, Mack
		46548-000		◆ 46549-001 46549-002 ◆ 46549-003 46549-004 46549-005 46549-006 46549-007	46549-005 46549-007	Oshkosh, Peterbilt, •Volvo Ford, •GMC International, •Volvo Western Star, Kenworth •GMC, International with 5th wheel clearance Kenworth

◆ Part number no longer in production, see Replacement Column or contact Hendrickson Truck Parts for available options.
 • Contact Hendrickson Truck Parts if a casting number has several part number options for the same original equipment manufacturer (OEM).



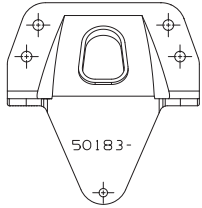
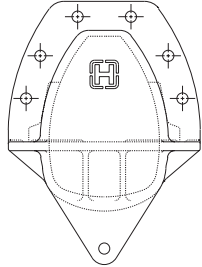
#2 Rear Frame Hanger

	CASTING NUMBER		PART NUMBER		REMARKS
	ORIGINAL	REPLACEMENT	ORIGINAL	REPLACEMENT	
	35399-001		35400-001 35400-002		International
	35399-003		35400-003		International
	◆ 45732-000	45732-001	45734-000		International
	◆ 45733-000	45733-001	45735-000		International
	◆ 43182-000	57625-011	◆ 45730-001 ◆ 45730-002 ◆ 45730-003	93396-001 93396-002 93396-001	Mack, Volvo Mack w/body bound bolts
	◆ 49229-001		◆ 49230-001	93396-001	Mack, Volvo
	◆ 47865-001	57625-011	◆ 47875-001	93396-001	Mack, Volvo
	◆ 45160-000	57624-001	◆ 43183-003 ◆ 43183-004	57625-003	GMC, Mack, Volvo
	◆ 46049-000		◆ 46050-001 ◆ 46050-003 ◆ 46050-004 ◆ 57625-004	57625-001 57625-003 57625-006 57625-006	Ford Freightliner
	◆ 47073-000		◆ 47074-001	57625-003	
	◆ 48592-001		◆ 48602-001 ◆ 48602-002 ◆ 48602-003 ◆ 57625-004	57625-001 57625-003 57625-006 57625-006	Ford All others Freightliner
	57624-001		57625-001 57625-003 ◆ 57625-004	57625-006	Ford GMC, Mack, Volvo Freightliner
	◆ 45529-000	57593-001	◆ 45530-001 ◆ 45737-001 ◆ 45737-002 ◆ 45737-003	57594-001 57594-002 57594-003 57594-004	Ford AM General
	◆ 47075-000		◆ 47076-001 ◆ 47076-002 ◆ 47076-003 ◆ 47076-004	57594-001 57594-002 57594-003 57594-004	Ford Peterbilt AM General
	◆ 48581-001		◆ 48598-001 ◆ 48598-002 ◆ 48598-003	57594-001 57594-002 57594-003	Ford All others Peterbilt
	57593-001		57594-001 57594-002 57594-003		Ford All others Peterbilt

◆ Part number no longer in production, see Replacement Column or contact Hendrickson Truck Parts for available options.



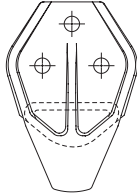
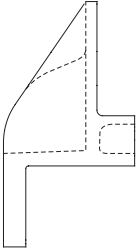
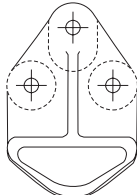
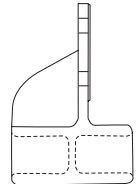
#2 Rear Frame Hanger

	CASTING NUMBER		PART NUMBER		REMARKS
	ORIGINAL	REPLACEMENT	ORIGINAL	REPLACEMENT	
	50182-001		50183-001 50183-002 ♦ 50183-003 50183-004 50183-005	50183-002	Ford Kenworth Peterbilt 34" frame International Mack
	♦ 50186-000	50186-001	50187-001 50187-002		Mack, Volvo Freightliner 34.3 frame
	♦ 50190-000	♦ 50190-001	♦ 50191-001 ♦ 50191-003 ♦ 50191-004 ♦ 50191-006	57625-001 57625-003 57625-006 57625-006	Ford Peterbilt 34.75" frame Freightliner International
	♦ 59756-001		59757-001		Volvo 33.4" frame
	1½" Spring Pin Diameter				
CLAMP MOUNT 	RT 65K • 70K				
	45791-000	♦ 50595-000	♦ 45792-001 ♦ 45792-002 ♦ 45792-003 ♦ 45792-004 ♦ 50595-001	93393-002 93393-001 93393-002 93393-003 93393-002	Crane Carrier, GMC, Oshkosh, •Peterbilt, •Volvo, Freightliner •Peterbilt •Peterbilt •Volvo
46550-000	57795-000	♦ 46551-001 46551-002 ♦ 46551-003 46551-004 46551-005 46551-006 46551-007 46551-008 ♦ 57796-001	46551-008 46551-007	Oshkosh, •Peterbilt, •Volvo Ford, •GMC •International, •Volvo Western Star, Kenworth •GMC, •International Kenworth •Volvo •Peterbilt	

- ♦ Part number no longer in production, see Replacement Column or contact Hendrickson Truck Parts for available options.
- Contact Hendrickson Truck Parts if a casting number has several part number options for the same original equipment manufacturer (OEM).



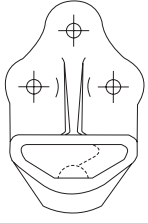
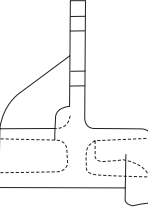
#3 Extended Leaf Frame Hanger

	CASTING NUMBER		PART NUMBER		REMARKS	
	ORIGINAL	REPLACEMENT	ORIGINAL	REPLACEMENT		
OUTBOARD	WITH AXLE STOP					
	 	◆ 46278-002	46278-003	◆ 46331-006 ◆ 46331-008	46331-003	Ford, GMC •Freightliner
		46278-003		46331-002 46331-003 46331-004		Ford, •GMC GMC, Western Star •Freightliner, •GMC
		47313-000		46331-007 46331-013		Ford, GMC Peterbilt
		49251-000		46331-011 46331-014		Ford, GMC Peterbilt
	WITHOUT AXLE STOP					
	 	26727-000		◆ 26727-000 ◆ 27761-001 ◆ 27761-002 ◆ 27761-003 ◆ 27761-004 ◆ 27761-005 27761-006 ◆ 27761-007 27761-008	27761-006 27761-008	1 3/8" hole location
					27761-006 27761-008 27761-006	
◆ 34987-000 47313-000		26727-000	◆ 45213-000	27761-006		2 1/4" hole location
		47610-000			Ford	

- ◆ Part number no longer in production, see Replacement Column or contact Hendrickson Truck Parts for available options.
- Contact Hendrickson Truck Parts if a casting number has several part number options for the same original equipment manufacturer (OEM).



#3 Extended Leaf Frame Hanger

	CASTING NUMBER		PART NUMBER		REMARKS
	ORIGINAL	REPLACEMENT	ORIGINAL	REPLACEMENT	
INBOARD	WITH AXLE STOP				
	 	<ul style="list-style-type: none"> ◆ 35397-002 35397-003 35397-005 	35398-003	35398-003 35398-005	

◆ Part number no longer in production, see Replacement Column or contact Hendrickson Truck Parts for available options.

Components may vary by model. Questions in regards to parts, contact Hendrickson Truck Parts at 1.866.755.5968 (Toll-free U.S. and Canada), 630.910.2800 (Outside U.S. and Canada) or email: truckparts@hendrickson-intl.com.

Actual product performance may vary depending upon vehicle configuration, operation, service and other factors. All applications must comply with applicable Hendrickson specifications and must be approved by the respective vehicle manufacturer with the vehicle in its original, as-built configuration. Contact Hendrickson for additional details regarding specifications, applications, capacities, and operation, service and maintenance instructions.

*Call Hendrickson at **630.910.2800** or **855.RIDERED (855.743.3733)** for additional information.*



www.hendrickson-intl.com

45745-038 Rev H 06-26

TRUCK COMMERCIAL VEHICLE SYSTEMS
800 South Frontage Road
Woodridge, IL 60517-4904 USA
855.743.3733 (Toll-free U.S. and Canada)
630.910.2800 (Outside U.S. and Canada)
Fax 630.910.2899

© 1990 – 2026 Hendrickson USA, L.L.C. All Rights Reserved. All trademarks shown are owned by Hendrickson USA, L.L.C., or one of the affiliates, in one or more countries. Information contained in this literature was accurate at the time of publication. Product changes may have been made after the copyright date that are not reflected.

Printed in United States of America