

H PARTS LIST

HAULMAAX® EX Heavy-duty Rear Rubber Suspension System

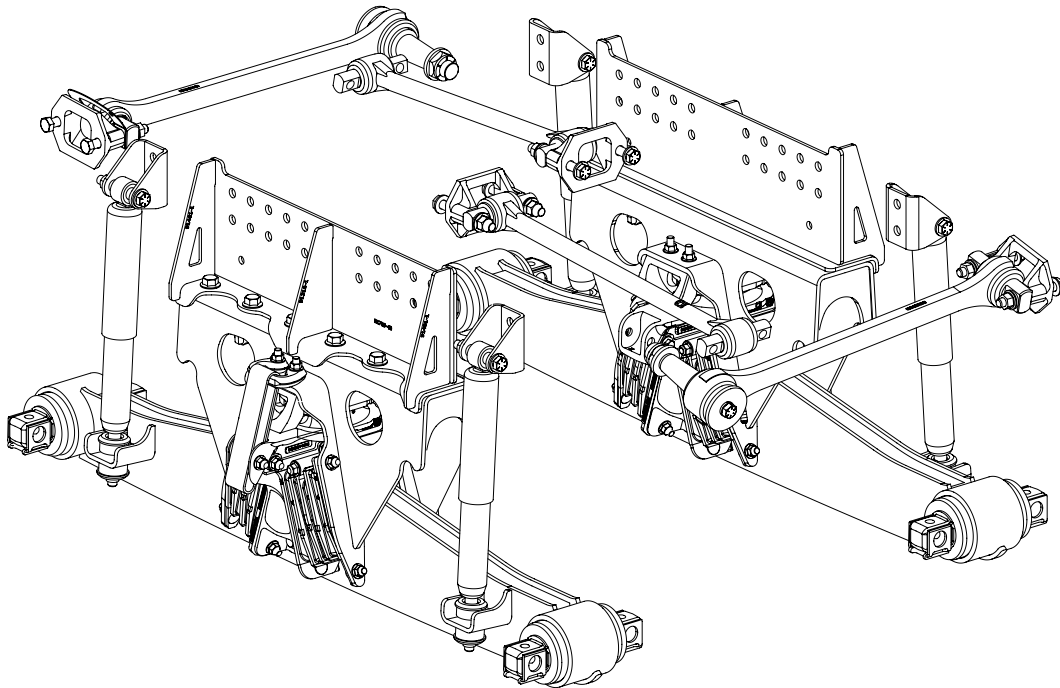
LIT NO: SP-328

DATE: May 2026

REVISION: K

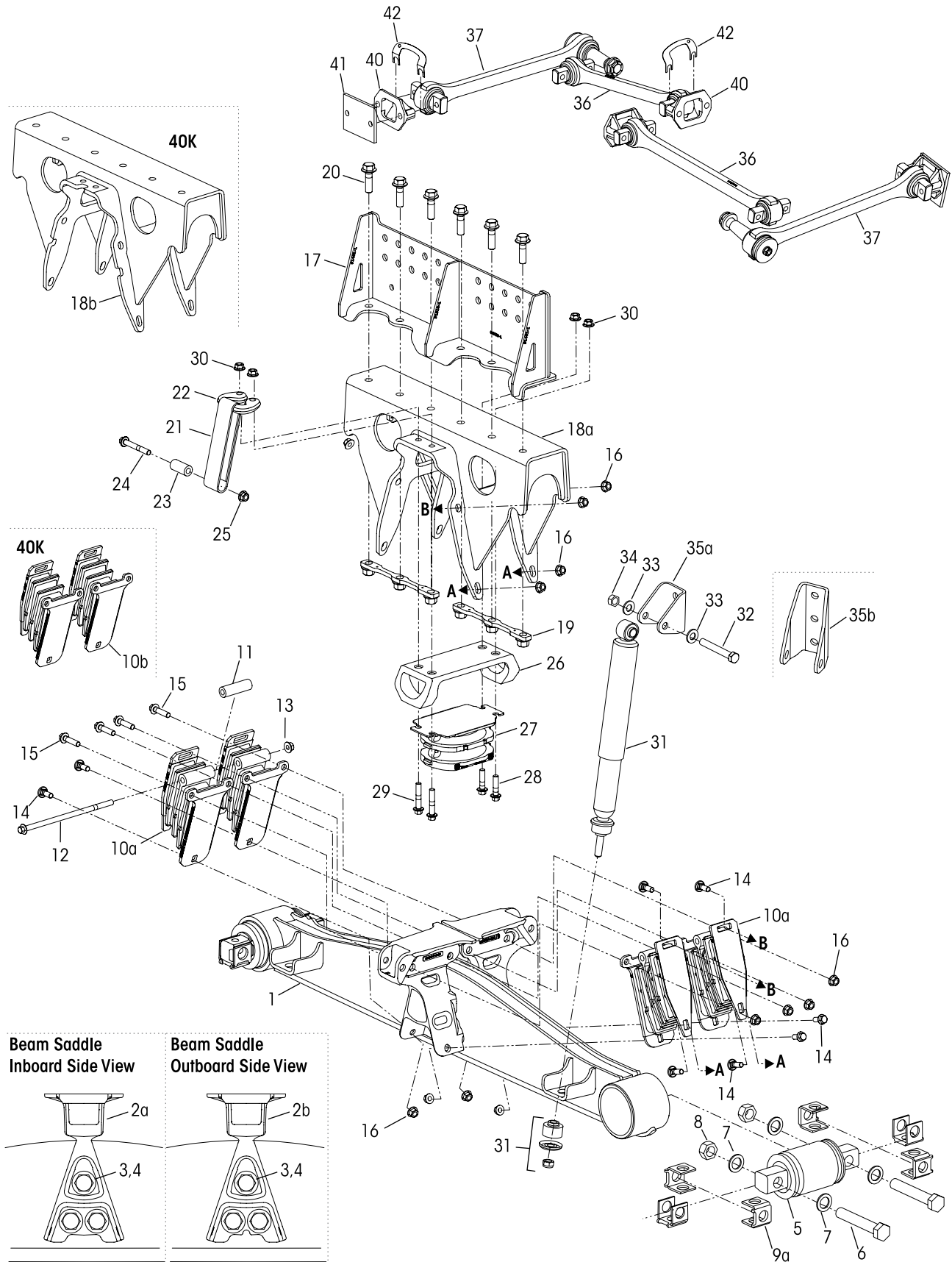
CONTENTS

DESCRIPTION	PAGE	DESCRIPTION	PAGE
Parts List		Aftermarket Service Kits	
■ Vehicles built after July 15, 2024	2	■ Equalizing Beam Service Kits	9
■ Vehicles built prior to July 15, 2024	4	■ Shock Absorber Service Kits	9
■ Frame Hanger Selection Guide	6	■ Weight Bias Progressive Load Spring Kit	10
■ Torque Rod Selection Guide	8	■ Dual Rebound Strap Enhancement Kit	10
Notes	11	■ Bolster Spring Service Kit	10
		Special Tools	12



HAULMAAX EX 40K • 46K • 52K Pound Capacity

Vehicles built after July 15, 2024





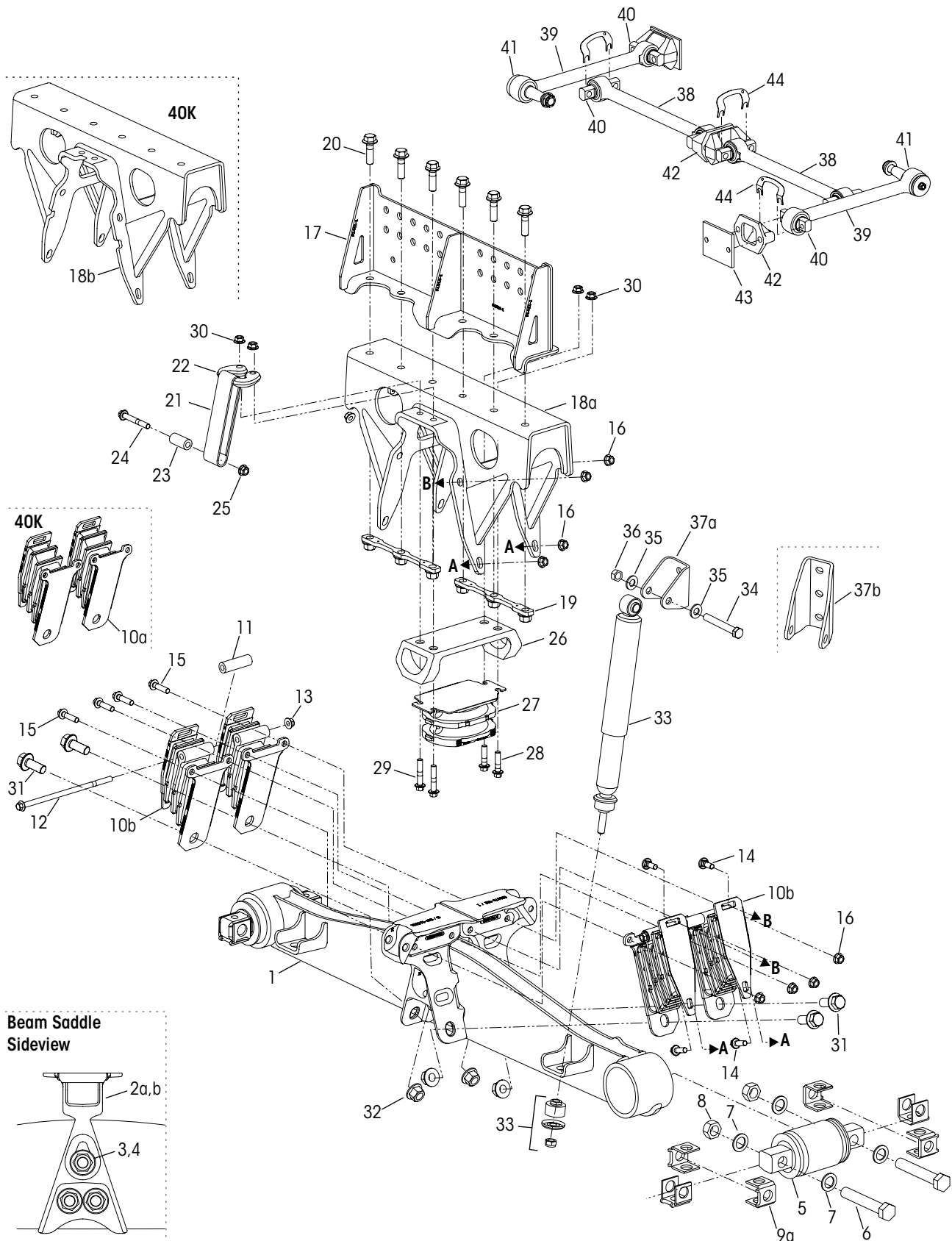
HAULMAAX® EX Rear Rubber Suspension System

KEY NO.	PART NO.	DESCRIPTION	VEHICLE QTY.	KEY NO.	PART NO.	DESCRIPTION	VEHICLE QTY.
1		Equalizing Beam Assembly with Shock Absorber Brackets and Beam Saddle Includes Key Nos. 5-8, 10, 14-16, 23-25 <i>See Selection Guide on Page 9</i>	2	21		*Rebound Strap	
		Equalizing Beam Saddle and Bolster Spring Service Kit, Single & Dual Rebound Straps		22		*Rebound Bracket	
	34013-522	• 46K•52K, One Beam , Includes Kit No. 34013-514 and Key Nos. 2-4, 23-25		23		*Rebound Spacer	
	34013-519	• 40K, One Beam Includes Kit No. 34013-513 and Key Nos. 2-4, 23-25		24		*M12 x 1.75-6G x 90 mm Flange Bolt	
2		*Inboard & Outboard Equalizing Beam Saddle	2	25		*M12 x 1.75 Flange Nut	2
a		Inboard				Single Progressive Load Spring Service Kit	
b		Outboard				Vehicles originally equipped with One Strap, Includes Key Nos. 26-30	
3		*M20 x 1.5 x 115 mm Heavy Hex Flange Screw	6			Vehicles originally equipped with Dual Straps, Includes Key Nos. 26-27, 29-30	
4		*M20 x 1.5 Flange Nut	6	26		*Jounce Stop	2
		Bar Pin End Bushing Service Kit, One Wheel End , Includes Key Nos. 5-9a		27		*Progressive Load Spring	2
	34013-088L	Shim Type		28		*M12 x 1.75-6G x 50 mm Flange Bolt	
	34013-188L	Rotating, Shim Type		29		*M12 x 1.75-6G x 65 mm Flange Bolt	
5		*Bar Pin End Bushing	4	30		*M12 x 1.75 Flange Nut	
	34013-104	Bar Pin End Bushing Fastener Kit, One Wheel End , Includes Key Nos. 6-8				Single Shock Absorber Service Kit , (if equipped)	
6		*1"-8 UNC x 6" Hex Bolt	8		64178-005	14 ⁷ / ₈ "•15 ¹ / ₂ " Saddle Height, Includes Key Nos. 31 a-34	
7		*1" Hardened Washer	16		64178-006	16 ¹ / ₄ "•16 ¹ / ₂ " Saddle Height, Includes Key Nos. 31 b-34	
8		*1"-8 UNC Locknut	8		64178-047	17 ¹ / ₄ "•17 ¹ / ₂ " Saddle Height, Includes Key Nos. 31 c-34	
9		Bar Pin Shim	8		64178-035	18 ¹ / ₄ "•18 ¹ / ₂ " Saddle Height, Includes Key Nos. 31 d-34	
a	50130-000	3 ¹ / ₆ " • 3 ¹ / ₆ " Standard			64178-036	20 ¹ / ₄ "•20 ¹ / ₂ "•21 ¹ / ₂ "•22 ¹ / ₂ " Saddle Height, Includes Key Nos. 31 e-34	
b	50131-000	1 ¹ / ₄ " • 1 ¹ / ₈ " Optional				Aftermarket Shock Absorber Kit , for vehicles built with equalizing beams without shock absorber mounts, <i>see Page 9</i>	
c	57026-000	3 ⁸ / ₈ " Optional flat shim				****Shock Absorber (if equipped) <i>For Saddle Height see Figure 1 on Page 7</i>	4
		Bolster Spring Service Kit, One Beam , Includes fasteners for Dual Rebound Straps		a	60680-004L	14 ⁷ / ₈ "•15 ¹ / ₂ " Saddle Height	
	34013-514	46K • 52K, Includes Key Nos. 10a, 11-16, 26-30		b	60680-005L	16 ¹ / ₄ "•16 ¹ / ₂ " Saddle Height	
	34013-513	40K, Includes Key Nos. 10b, 14-16, 26-30		c	60680-011L	17 ¹ / ₄ "•17 ¹ / ₂ " Saddle Height	
10		*Bolster Springs	8	d	60680-009L	18 ¹ / ₄ "•18 ¹ / ₂ " Saddle Height	
a	94540-001	46K, 52K Tie-Bar		e	60680-010L	20 ¹ / ₄ "•20 ¹ / ₂ "•21 ¹ / ₂ "•22 ¹ / ₂ " Saddle Height	
b	94540-002	40K Non Tie-Bar			34013-457	Single Shock Absorber Fastener Kit , Includes Key Nos. 32-34	
11		*Tie-Bar Bolster Spring Spacer	4	32		*5 ⁵ / ₈ "-11 UNC x 4 ¹ / ₂ " Hex Bolt (if equipped)	4
12		*M12 x 1.75-6G x 270 mm Flange Bolt	4	33		*5 ⁵ / ₈ " Hardened Washer (if equipped)	8
13		*M12 x 1.75 Flange Nut	4	34		*5 ⁵ / ₈ "-11 UNC Locknut (if equipped)	4
14		*M12 x 1.75-6G x 35 mm Round Head Square Neck Bolt	24	35		Upper Shock Bracket	4
15		*M12 x 1.75-6G x 50 mm Flange Bolt	8	a	60304-000	For vehicles originally equipped with Shocks	
16		*M12 x 1.75 Flange Nut	32	b	94351-001	Volvo / Mack Vehicles Only	
17		Frame Hanger, <i>See Selection Guide on Page 6 & Page 7 and for Saddle Height see Figure 1 on Page 7</i>	2	36		One-piece Longitudinal Torque Rod Assembly, Straddle/Straddle, Specify Length in mm, <i>See Selection Guide on Page 8</i>	2
		Frame Saddle Service Kits, One Side			620XX-XXX	ULTRA ROD®, Includes Key No. 38-39	
	34013-360	46K•52K , Includes Key Nos. 18a, 19-20, 28-30			82XX-XXXX-XXX	TRAAX ROD® (Optional)	
	34013-361	52K , Originally equipped with Dual Straps, Includes Key Nos. 18a, 19-20, 29-30		37		***One-piece Transverse Torque Rod Assembly, Straddle/Taper, <i>See Selection Guide on Page 8</i>	2
	34013-359	40K Includes Key Nos. 18b, 19-20, 28-30			62350-XXX	40K Only, ULTRA ROD, Includes Key Nos. 38-39	
18		*Frame Saddle	2		82XX-XXXX-XXX	46K • 52K - TRAAX ROD, Specify Length in mm	
a		46K•52K		38	47691-000L	ULTRA ROD Straddle Bushing (Not Shown)	6
b		40K		39	64697-000L	ULTRA ROD Taper Bushing (Not Shown)	2
	34013-362	Frame Saddle to Hanger Fastener Service Kit, One Side , Includes Key Nos. 19-20		40	22186-000	Torque Rod Frame Bracket	4
19		*Saddle Fastener Plate	4	41	45045-010	Backup Plate	4
20		*M16 x 1.5 -6G x 50 mm Flange Bolt	12	42	49689-000L	Torque Rod Shim	As Req.
		**Rebound Strap Service Kits, One Side , for included parts, <i>see Page 10</i>		43	70867-001	P-80 Lubricant - 10 ml (Not Shown) per Bushing	1
	34013-354	40K•46K Vehicles originally equipped with One Strap					
	34013-355	52K Vehicles originally equipped with Dual Straps					
	34013-363	Aftermarket Dual Strap Enhancement					



HAULMAAX EX 40K • 46K • 52K Pound Capacity

Vehicles built prior to July 15, 2024





HAULMAAX® EX Rear Rubber Suspension System

KEY NO. PART NO.		DESCRIPTION	VEHICLE QTY.	KEY NO. PART NO.		DESCRIPTION	VEHICLE QTY.
1		Equalizing Beam Assembly with Beam Saddle, Includes Key No. 2-5, <i>See Aftermarket Equalizing Beam with Rotatable Bar Pin Selection Guide on Page 9</i>	2	21		*Rebound Strap	
2		*Inboard & Outboard Equalizing Beam Saddle	2	22		*Rebound Bracket	
a		Inboard		23		*Rebound Spacer	
b		Outboard		24		*M12 x 1.75-6G x 90 mm Flange Bolt	
3		*M20 x 1.5 x 110 mm Heavy Hex Flange Screw	6	25		*M12 x 1.75 Flange Nut	
4		*M20 x 1.5 Flange Nut	6			Single Progressive Load Spring Service Kit	
		Bar Pin End Bushing Service Kit, One Wheel End, Includes Key Nos. 5-9a		34013-358		Vehicles originally equipped with One Strap, Includes Key Nos. 26-30	
	34013-088L	Shim Type		34013-364		Vehicles originally equipped with Dual Straps, Includes Key Nos. 26-27, 29-30	
	34013-188L	Rotating, Shim Type		26		*Jounce Stop	2
5		*Bar Pin End Bushing	4	27		*Progressive Load Spring	2
	34013-104	Bar Pin End Bushing Fastener Kit, One Wheel End, Includes Key Nos. 6-8		28		*M12 x 1.75-6G x 50 mm Flange Bolt	
6		*1"-8 UNC x 6" Hex Bolt	8	29		*M12 x 1.75-6G x 65 mm Flange Bolt	
7		*1" Hardened Washer	16	30		*M12 x 1.75 Flange Nut	
8		*1"-8 UNC Locknut	8	31	67749-050	M20 x 1.5-6G x 50 mm Flange Bolt	8
9		Bar Pin Shim	8	32	67745-000	M20 x 1.5 Flange Nut	8
a	50130-000	3/16" • 3/16" Standard				Single Shock Absorber Service Kit, (if equipped)	
b	50131-000	1/4" • 1/8" Optional		64178-005		14 7/8" • 15 1/2" Saddle Height, Includes Key Nos. 33a-36	
c	57026-000	3/8" Optional flat shim		64178-006		16 1/4" • 16 1/2" Saddle Height, Includes Key Nos. 33b-36	
		Bolster Spring Service Kits, One Beam		64178-047		17 1/4" • 17 1/2" Saddle Height, Includes Key Nos. 33c-36	
	34013-526	•40K Non Tie-Bar Includes Key Nos. 10a, 14-16, 26-32		64178-035		18 1/4" • 18 1/2" Saddle Height, Includes Key Nos. 33d-36	
	34013-527	•46K • 52K, Tie-Bar Bolsters Set Includes Key Nos. 10b, 11-16, 26-32		64178-036		20 1/4" • 20 1/2" • 21 1/2" • 22 1/2" Saddle Height, Includes Key Nos. 33e-36	
10		*Bolster Springs	8			Aftermarket Shock Absorber Kit, for vehicles built with equalizing beams without shock absorber mounts, see Page 9	
a		40K Non Tie-Bar		33		****Shock Absorber (if equipped) <i>For Saddle Height see Figure 1 on Page 7</i>	4
b		46K • 52K Tie-Bar		a	60680-004L	14 7/8" • 15 1/2" Saddle Height	
11		*Tie-Bar Bolster Spring Spacer	4	b	60680-005L	16 1/4" • 16 1/2" Saddle Height	
12		*M12 x 1.75-6G x 270 mm Flange Bolt	4	c	60680-011L	17 1/4" • 17 1/2" Saddle Height	
13		*M12 x 1.75 Flange Nut	4	d	60680-009L	18 1/4" • 18 1/2" Saddle Height	
14		*M12 x 1.75-6G x 35 mm Round Head Square Neck Bolt	16	e	60680-010L	20 1/4" • 20 1/2" • 21 1/2" • 22 1/2" Saddle Height	
15		*M12 x 1.75-6G x 50 mm Flange Bolt	8	34		*5/8"-11 UNC x 4 1/2" Hex Bolt (if equipped)	4
16		*M12 x 1.75 Flange Nut	24	35		*5/8" Hardened Washer (if equipped)	8
17		Frame Hanger, <i>See Selection Guide on Page 6 & Page 7 and for Saddle Height see Figure 1 on Page 7</i>	2	36		*5/8"-11 UNC Locknut (if equipped)	4
		Frame Saddle Service Kits, One Side		37		Upper Shock Bracket	4
	34013-360	46K•52K, Includes Key Nos. 18a, 19-20, 28-30		a	60304-000	For vehicles originally equipped with Shocks	
	34013-361	52K, Originally equipped with Dual Straps, Includes Key Nos. 18a, 19-20, 29-30		b	94351-001	Volvo Only	
	34013-359	40K Includes Key Nos. 18b, 19-20, 28-30		38		One-piece Longitudinal Torque Rod Assembly, Straddle/Straddle, Specify Length in mm, <i>See Selection Guide on Page 8</i>	2
18		*Frame Saddle	2		620XX-XXX	ULTRA ROD®, Includes Key No. 40	
a		46K•52K			82XX-XXXX-XXX	TRAAX ROD® (Optional)	
b		40K		39		***One-piece Transverse Torque Rod Assembly, Straddle/Taper, <i>See Selection Guide on Page 8</i>	2
	34013-362	Frame Saddle to Hanger Fastener Service Kit, One Side, Includes Key Nos. 19-20			62350-XXX	40K Only, ULTRA ROD, Includes Key Nos. 40-41	
19		*Saddle Fastener Plate	4		82XX-XXXX-XXX	46K • 52K - TRAAX ROD, Specify Length in mm	
20		*M16 x 1.5 -6G x 50 mm Flange Bolt	12	40	47691-000L	Straddle Bushing	6
		**Rebound Strap Service Kits, One Side, for included parts, <i>see Page 10</i>		41	64697-000L	Taper Bushing	2
	34013-354	40K•46K Vehicles originally equipped with One Strap		42	22186-000	Torque Rod Frame Bracket	4
	34013-355	52K Vehicles originally equipped with Dual Straps		43	45045-010	Backup Plate, <i>Replaces 45045-003</i>	4
	34013-363	Aftermarket Dual Strap Enhancement		44	49689-000L	Torque Rod Shim	As Req.
				45	70867-001	P-80 Lubricant - 10 ml (Not Shown) per Bushing	1



■ Frame Hanger Selection Guide

Key No. 17 Saddle to Frame Hanger Fastener Service Kit 34013-362 is used for all configurations below.

Capacity (lb)	Frame Width (in)	①Ride Height (in)	②Saddle Height (in)	Axle Drop (in)	Frame Hanger Part Number	Capacity (lb)	Frame Width (in)	①Ride Height (in)	②Saddle Height (in)	Axle Drop (in)	Frame Hanger Part Number										
AUTOCAR						KENWORTH • PETERBILT															
40K•46K	34.37	8.5	15.5	7	91754-220	40K - 46K	34	8.5	15.5	7	91738-020										
		9.5	16.5		91754-240			91738-040													
		10.5	17.5		91754-260			91738-060													
		11.5	18.5		91754-280			91738-080													
52K	34.37	9.5	16.5	7	93832-040			34.75	13.25		20.25	91740-115									
		8.5	16.25	7.75	93833-020				91740-160												
		9.5	17.25		93833-040				91740-220												
BATTLE								34.75	8.5		15.5	91740-240									
40K•46K	34	9.5	16	7	91738-040				9.5		16.5	91740-260									
INTERNATIONAL									10.5		17.5	91740-280									
40K•46K	34.25	8	15	7	91742-010			52K	34		9.5	16.5	7	91740-040							
		9.5	16.5		91742-040						91740-060										
		13.25	20.25		91744-120	91740-080															
	34.5	8	15		91742-210	34.75	9.5			16.5	91740-240										
		9.5	16.5		91742-240		10.5			17.5	91740-260										
		13.25	20.25		91744-320		11.5			18.5	91740-280										
	34.8	8	15		91742-410	34.75	13.25			20.25	91740-315										
		9.5	16.5		91742-440		Capacity (lb)			Frame Width (in)		①Ride Height (in)		②Saddle Height (in)		Axle Drop (in)		Frame Hanger Part Number			
		13.25	20.25		91744-520		Meritor			Mack											
	52K	34.25	10.5		17.5	7	91744-060			MACK / VOLVO											
		34.5					40K			33.4	8.1	15.1		7	7.5	93788-101					
		34.8					46K			33.5	8.5	15.5		7	7.5	91746-020					
9.5	16.5	91746-040																			
14.5	21.5	93972-020																			
OSHKOSH						33.4	10.5	17.5	93892-060												
46K	34	9.5	17.5	7.5	93987-040	52K	33.5	8.75	16.5	7.75	7.5	94415-040									
PIERCE								9.75	17.5			94415-060									
48K	34	10.5	17.5	7	91738-060			33.4	9.75			17.5	91748-060								
SEAGRAVE																					
40K	34	9.5	16.5	7	91738-040																
48K		10	17	7	91740-060																
54K		9.5	16.5		91740-040																

See Notes on Page 7

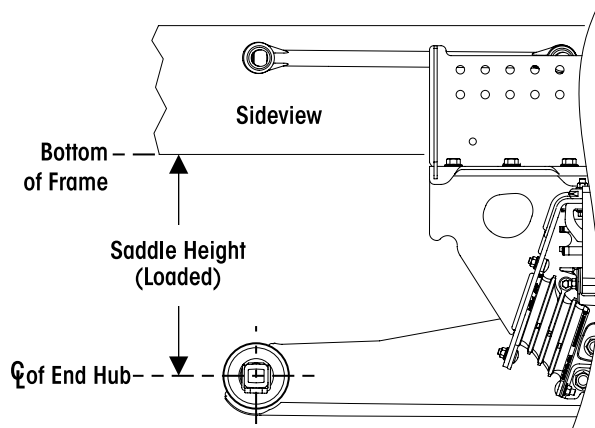


■ Frame Hanger Selection Guide (Contd.)

Key No. 17 Saddle to Frame Hanger Fastener Service Kit 34013-362 is used for all configurations below.

Capacity (lb)	Frame Width (in)	① Ride Height (in)	② Saddle Height (in)	Axle Drop (in)	Frame Hanger Part Number	Capacity (lb)	Frame Width (mm)	① Ride Height (mm)	② Saddle Height (in)	Axle Drop (in)	Frame Hanger Part Number
FREIGHTLINER						WESTERN STAR					
40K	34.31	9.5	16.5	7	91816-205	40K	850-856	460	16.5	7	91750-001
		10.5	17.5		490			17.5	91750-002		
	34.50 - 34.62	9.5	16.5		460		16.5	91750-101			
		10.5	17.5		490		17.5	91750-102			
46K	34.31	9.5	16.5	7	93887-205	46K	850-856	460	16.5	7	93888-001
		10.5	17.5		490			17.5	93888-002		
		11.5	18.5		460			16.5	93888-101		
	34.50 - 34.62	9.5	16.5		490		17.5	93888-102			
		10.5	17.5		850-856		460	16.5	7		91752-004
		11.5	18.5				17.25	7.75	91752-005		
52K	34.31	10.5	17.5	7	91818-206	52K	850-856	490	17.5	7	91752-002
			18.25	7.75	91818-207			18.25	7.75	91752-003	
	34.50 - 34.62		17.5	7	91818-306		860-864	460	16.5	7	91752-104
			18.25	7.75	91818-307			17.25	7.75	91752-105	
490	17.5	7	91752-102								
490	18.25	7.75	91752-103								

FIGURE 1



To obtain Haulmax EX gauge cards, go on-line www.hendrickson-intl.com/tools/gauge-request-form

- **Hendrickson Lit. No. 48422-624** – to measure PLS height and Bolster Spring bonding separation and depth of cut or split
- **Hendrickson Lit. No. 48422-65X** – to measure vehicle manufacturer specific Saddle Height
- **Hendrickson Lit. No. 48422-649** – Saddle height gauge step-by-step instruction card

NOTES ① For reference only.

② To determine the saddle height dimension, see Figure 1. Saddle heights above 19.5" use 52K frame hangers.

③ GWH (Global Wheel Height) is used only by Western Star.

④ The Western Star frame width is dependent on the frame thickness (8 mm through 15 mm).



■ Torque Rod Selection Guide

Transverse Torque Rod – TRAAX ROD Straddle/Taper

Key No. 37 Page 2 • Key No. 39 Page 4

Length (mm) (in)		Part Number	Length (mm) (in)		Part Number	Length (mm) (in)		Part Number
AUTOCAR			FREIGHTLINER • WESTERN STAR			KENWORTH • PETERBILT		
605	23.82	8244-0099-605	620	24.41	8244-0099-620	580	22.83	8244-0099-580
610	24.02	8244-0099-610	625	24.60	8244-0099-625	585	23.03	8244-0099-585
615	24.21	8244-0099-615	635	25.00	8244-0099-635	610	24.02	8244-0099-610
635	25.00	8244-0099-635	645	25.39	8244-0099-645	615	24.21	8244-0099-615
635	25.00	8244-5199-635	INTERNATIONAL			MCNEILUS		
635	25.00	8244-6899-635	605	23.82	8244-5199-605	625	24.60	8244-2499-625
BATTLE			605	23.82	8244-0099-605	625	24.60	8244-7099-625
530	20.87	8244-0099-530	610	24.02	8244-0099-610	630	24.80	8240-2626-630
625	24.60	8244-0099-625	640	25.20	8244-0099-640			
630	24.80	8244-0099-630						
645	25.39	8244-0099-645						

Longitudinal Torque Rod – Straddle/Straddle

Key No. 36 Page 2 • Key No. 38 Page 4

Length (mm) (in)		Part Number	Length (mm) (in)		Part Number	Length (mm) (in)		Part Number
AUTOCAR			FREIGHTLINER • WESTERN STAR			INTERNATIONAL		
570	22.44	8240-0000-570	570	22.44	62001-570	510	20.08	8240-0000-510
575	22.64	8240-0000-575	595	23.43	62001-595	595	23.43	8240-0000-595
BATTLE			600	23.62	62001-600	640	25.20	8240-0000-640
545	21.46	62000-545N	610	24.02	62001-610	725	28.54	8240-0000-725
550	21.65	62000-550N	615	24.21	62001-615	730	28.74	8240-0000-730
560	22.05	62000-560N	650	25.60	62001-650	605	23.82	8240-0001-605
575	22.64	62000-575	655	25.79	62001-655	640	25.20	8240-0001-640
630	24.80	62000-630	670	26.38	62001-670	745	29.33	8240-0001-745
660	25.98	62041-660N	685	26.97	62001-685	MCNEILUS		
670	26.38	62041-670N	575	22.64	62007-575	445	17.5	62011-445
			580	22.83	62007-580	575	22.64	62042-575
			600	23.62	62007-600	600	23.62	62042-600

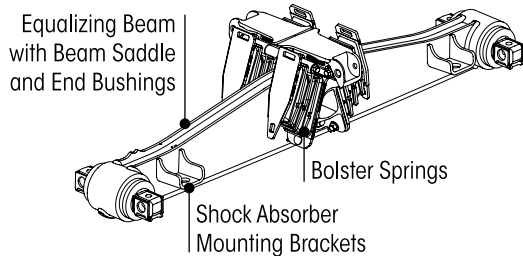


■ Aftermarket Service Kits

Key No. 1 • Page 2 and Page 4

Aftermarket Equalizing Beam Service Kits, One Beam

with Rotating Bar Pin End Bushings



Beam Length (in)	Service Kit Numbers		
	40K	46K	52K
52	93676-048	93676-050	93676-054
54	93676-049	93676-051	93676-055
60	—	93676-052	93676-056
72.5	—	93676-053	—

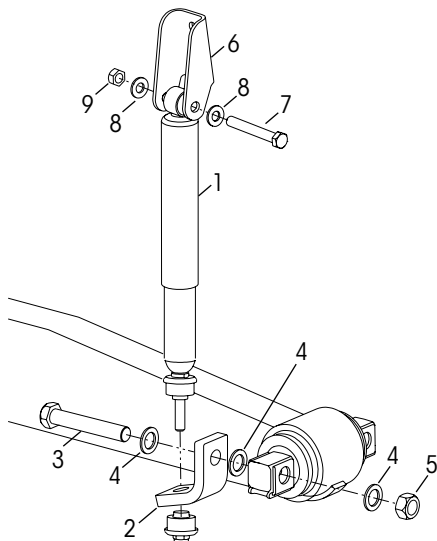
Service Kit Includes: Equalizing Beam with Beam Saddle, Bolster Springs, Shock Absorber Brackets, End Bushings, Mounting Fasteners for Dual Rebound Straps, Beam End and Bolster Springs to Beam Saddle. Refer to Page 2 for included parts.

Aftermarket Shock Absorber Conversion Service Kits

for equalizing beams not equipped with lower shock mount

Service Kit Nos.	Saddle Height	Tandem Set
64178-003	14 ⁷ / ₈ "•15 ¹ / ₂ "	Reference Lit. No. 59310-012
64178-004	16"•16 ¹ / ₂ "	
64178-044	17"•17 ¹ / ₂ "	
64178-045	18 ¹ / ₄ "•18 ¹ / ₂ "	
64178-046	20 ¹ / ₄ "•20 ¹ / ₂ "• 21 ¹ / ₂ "•22 ¹ / ₂ "	
64178-009	16 ¹ / ₂ " Mack	

NOTE: Not available with 315 mm tires

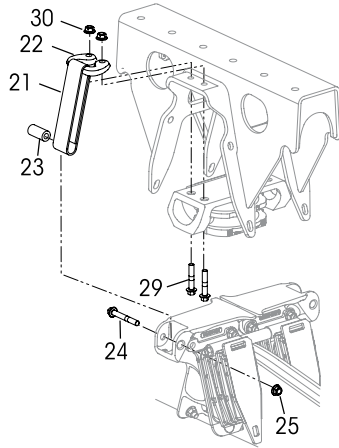


KEY NO.	PART NO.	DESCRIPTION	KIT QTY.
Shock Absorber Service Kit, Tandem Set For Saddle Height see Figure 1 on Page 7			
	64178-003	14 ⁷ / ₈ "•15 ¹ / ₂ " Saddle Height, Includes Key Nos. 1a, 2a-b, 3-9	
	64178-004	16"•16 ¹ / ₂ " Saddle Height, Includes Key Nos. 1b, 2a-b, 3-9	
	64178-044	17"•17 ¹ / ₂ " Saddle Height, Includes Key Nos. 1c, 2a-b, 3-9	
	64178-045	18 ¹ / ₄ "•18 ¹ / ₂ " Saddle Height, Includes Key Nos. 1d, 2a-b, 3-9	
	64178-046	20 ¹ / ₄ "•20 ¹ / ₂ "•21 ¹ / ₂ "•22 ¹ / ₂ " Saddle Height, Includes Key Nos. 1e 2a-b, 3-9	
	64178-009	16 ¹ / ₂ " Saddle Height - Mack Only, Includes Key Nos. 1f, 2c, 3-9	
1		Shock Absorber Assembly	4
a	60680-004L	14 ⁷ / ₈ "•15 ¹ / ₂ " Saddle Height	
b	60680-005L	16"•16 ¹ / ₂ " Saddle Height	
c	60680-011L	17"•17 ¹ / ₂ " Saddle Height	
d	60680-009L	18 ¹ / ₄ "•18 ¹ / ₂ " Saddle Height	
e	60680-010L	20 ¹ / ₄ "•20 ¹ / ₂ "•21 ¹ / ₂ "•22 ¹ / ₂ " Saddle Height	
f	60680-006L	16 ¹ / ₂ " Saddle Height, Mack Only	
2		Lower Shock Bracket	
a	64148-001	Front	2
b	64148-002	Rear (Not Shown)	2
c	64835-000	Mack Only, Front and Rear (Not Shown)	4
	34013-443	Lower Shock Absorber Fastener Service Kit, Includes Key Nos. 3-5	
3		*1"-8 UNC x 7" Hex Bolt,	4
4		*1" Hardened Washer	12
5		*1"-8 UNC Locknut	4
6	64146-000	Upper Shock Bracket	4
	49176-003	Upper Shock Absorber Fastener Service Kit, Includes Key Nos. 7-9	
7		*5/8"-11 UNC x 4 1/2" Hex Bolt	4
8		*5/8" Hardened Washer	8
9		*5/8"-11 UNC Locknut	4

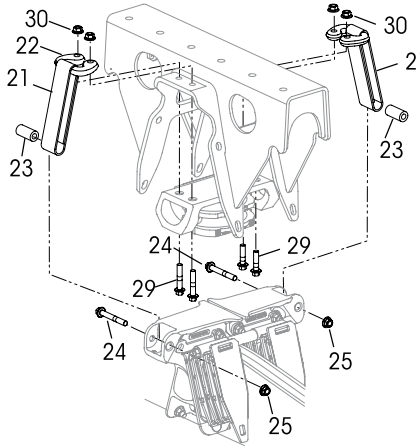


Single and Dual Rebound Straps

Service Kit No. 34013-354 One Side, 40K•46K
Single Rebound Strap for vehicles originally equipped with one rebound strap
Includes Key Nos. 21-25, 29-30



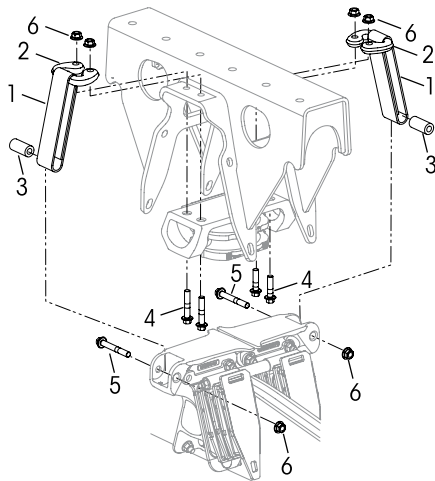
Service Kit No. 34013-355 One Side, 52K
Dual Rebound Straps for vehicles originally equipped with dual rebound straps
Includes Key Nos. 21-25, 29-30



Kit No. 34013-354 One Side, 40K•46K		
Key Nos.	21-25	29-30
Quantity Per Vehicle	2	4
Quantity Per Kit	1	2
Kit No. 34013-355 One Side, 52K		
Key Nos.	21-25	29-30
Quantity Per Vehicle	4	8
Quantity Per Kit	2	4

Aftermarket Dual Rebound Strap Enhancement Kit

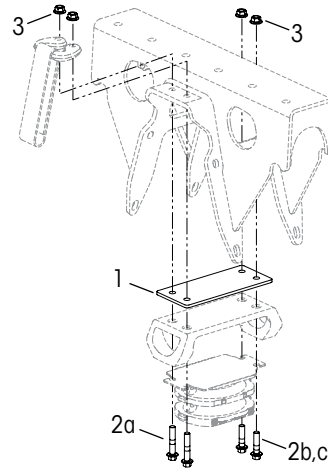
Service Kit No. 34013-363 Aftermarket Dual Rebound Strap Conversion Vehicle Set



KEY NO.	PART NO.	DESCRIPTION	KIT QTY.
	34013-363	Aftermarket Dual Rebound Strap Enhancement Kit, Tandem Set , Includes Key Nos. 1-6	
1		*Rebound Strap	4
2		*Rebound Bracket	4
3		*Rebound Spacer	4
4		*M12 x 175-6G x 65 mm Flange Bolt	8
5		*M12 x 175-6G x 90 mm Flange Bolt	4
6		*M12 x 175 Flange Nut	12

Aftermarket Weight Bias Shim Service Kit

Service Kit No. 34013-430 Weight Bias Shim Service Kit One Side



KEY NO.	PART NO.	DESCRIPTION	KIT QTY.
	34013-430	Weight Bias Shim Service Kit, One Side , Suitable for Single or Dual Rebound Strap, Includes Key Nos. 1-3	
1		*1/4" Load Bias Shim	2
2		*M12 x 1.75-6G Flange Bolt	
a		80 mm	4
b		65 mm, for inner single strap use only	2
c		50 mm, for inner single strap use only	2
3		*M12 x 1.75 Flange Nut	4

Contains various sized fasteners to accommodate different suspension configurations. One or two shims can be installed dependant on the vehicle weight bias. Refer to the table below for fastener selection.

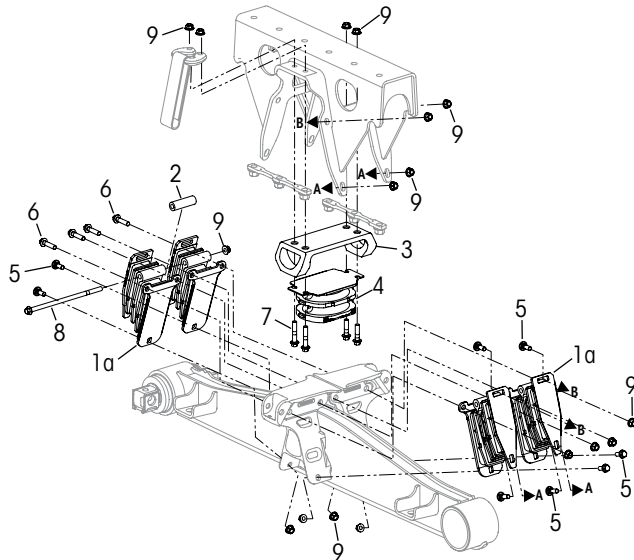
	1/4" Shim	M12 Bolt Lgth	1/4" Shim	M12 Bolt Lgth
No Rebound Strap	Qty. 1	50 mm	Qty. 2	65 mm
Rebound Strap Installed		80 mm		80 mm



■ Bolster Spring Service Kits

Vehicles built after July 15, 2024

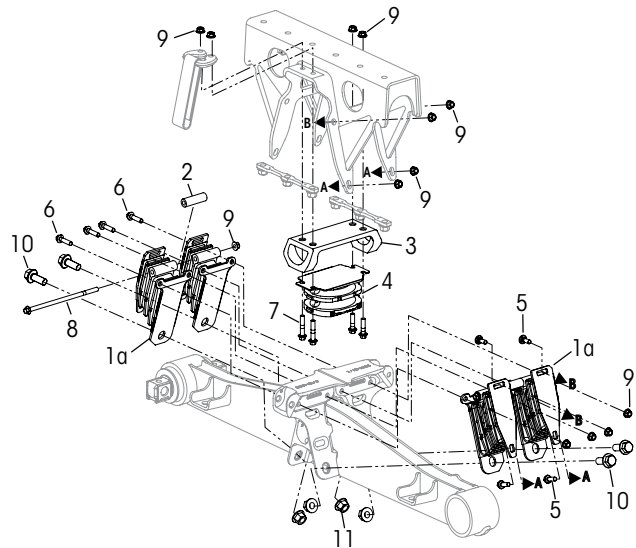
Service Kit No.	Bolster Spring Service Kits, One Beam
34013-514	46K • 52K <i>Shown below</i>
34013-513	40K



KEY NO.	PART NO.	DESCRIPTION	KIT QTY.
		Bolster Spring Service Kit, One Beam , Includes fasteners for Dual Rebound Straps	
	34013-514	46K • 52K, Includes Key Nos. 1a, 2-9	
	34013-513	40K, Includes Key Nos. 1b, 3-7, 9	
1		*Bolster Springs	4
a		46K • 52K Tie-Bar	
b		40K	
2		*Tie-Bar Bolster Spring Spacer	2
3		*Jounce Stop	1
4		*Progressive Load Spring	1
5		*M12 x 1.75-6G x 35 mm Round Head Square Neck Bolt	12
6		*M12 x 1.75-6G x 50 mm Flange Bolt	6
7		*M12 x 1.75-6G x 65 mm Flange Bolt	4
8		*M12 x 1.75-6G x 270 mm Flange Bolt	2
9		*M12 x 1.75 Flange Nut	22

Vehicles built prior to July 15, 2024

Service Kit No.	Bolster Spring Service Kits, One Beam
34013-527	46K • 52K <i>Shown below</i>
34013-526	40K



KEY NO.	PART NO.	DESCRIPTION	KIT QTY.
		Bolster Spring Service Kits, One Beam , Includes fasteners for Dual Rebound Straps	
	34013-527	•46K • 52K, Includes Key Nos. 1a, 2-11	
	34013-526	•40K, Includes Key Nos. 1b, 3-7, 9-11	
1		*Bolster Springs	4
a		46K • 52K Tie-Bar	
b		40K	
2		*Tie-Bar Bolster Spring Spacer	2
3		*Jounce Stop	1
4		*Progressive Load Spring	1
5		*M12 x 1.75-6G x 35 mm Round Head Square Neck Bolt	8
6		*M12 x 1.75-6G x 50 mm Flange Bolt	6
7		*M12 x 1.75-6G x 65 mm Flange Bolt	4
8		*M12 x 1.75-6G x 270 mm Flange Bolt	2
9		*M12 x 1.75 Flange Nut	18
10		*M20 x 1.5-6G x 50 mm Flange Bolt	4
11		*M20 x 1.5 Flange Nut	4

NOTES: Quantities specified are for the vehicle. Quantities of service kit components may vary from amount shown in the list.

Longitudinal and Transverse TRAAX Rod bushings are non-serviceable, the entire torque rod assembly requires replacement. Visit TRAAX ROD website www.traaxrods.com for more information.

* Item included in assembly or service kit only, part not sold separately.

** The HAULMAAX EX 52,000 pound capacity suspensions are equipped with dual rebound straps per equalizing beam, while the 40,000 and 46,000 pound capacity suspensions have a single outboard rebound strap.

*** Transverse torque rods are mandatory for most of the HAULMAAX EX suspensions regardless of axle spacing, see Hendrickson Literature Nos. 59310-004 and 59310-058 for more information.

**** Verify the shock absorber part number prior to replacement.



■ Special Tools

Bar Pin End Bushing Tools

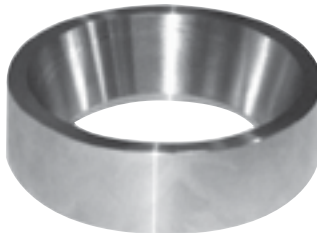
Tiger Tool Part No. 15044

Visit tigertool.com



ULTRA ROD® Torque rod Funnel tool

Hendrickson Part No. 66086-001L



This is a general parts list to provide directional information. Components may vary by model. Questions in regards to parts, contact Hendrickson Truck Parts at 855.743.3733 (Toll-free U.S. and Canada), 630.910.2800 (Outside U.S. and Canada) or e-mail: truckparts@hendrickson-intl.com.

Actual product performance may vary depending upon vehicle configuration, operation, service and other factors.

All applications must comply with applicable Hendrickson specifications and must be approved by the respective vehicle manufacturer with the vehicle in its original, as-built configuration.

Contact Hendrickson for additional details regarding specifications, applications, capacities, and operation, service and maintenance instructions.

Call Hendrickson at 630.910.2800 or 855.RIDERED (855.743.3733) for additional information.



www.hendrickson-intl.com

SP-328 Rev K 05-26

© 2020 – 2026 Hendrickson USA, L.L.C. All Rights Reserved. All trademarks shown are owned by Hendrickson USA, L.L.C., or one of the affiliates, in one or more countries.

Information contained in this literature was accurate at the time of publication. Product changes may have been made after the copyright date that are not reflected.

TRUCK COMMERCIAL VEHICLE SYSTEMS

800 South Frontage Road
Woodridge, IL 60517-4904 USA
855.743.3733 (Toll-free U.S. and Canada)
630.910.2800 (Outside U.S. and Canada)
Fax 630.910.2899