

PARTS LIST

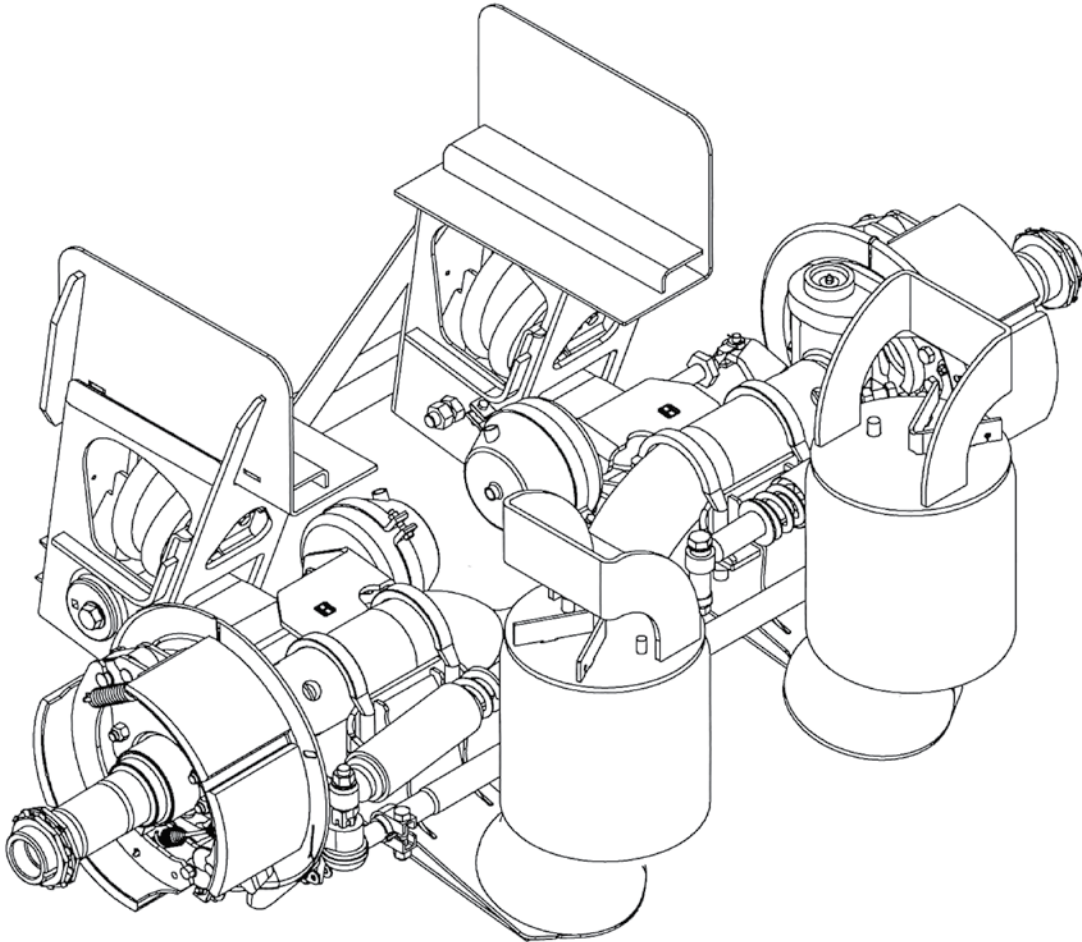
TOUGHLIFT® LK Dual-Tire Steerable Lift Axle Suspension System

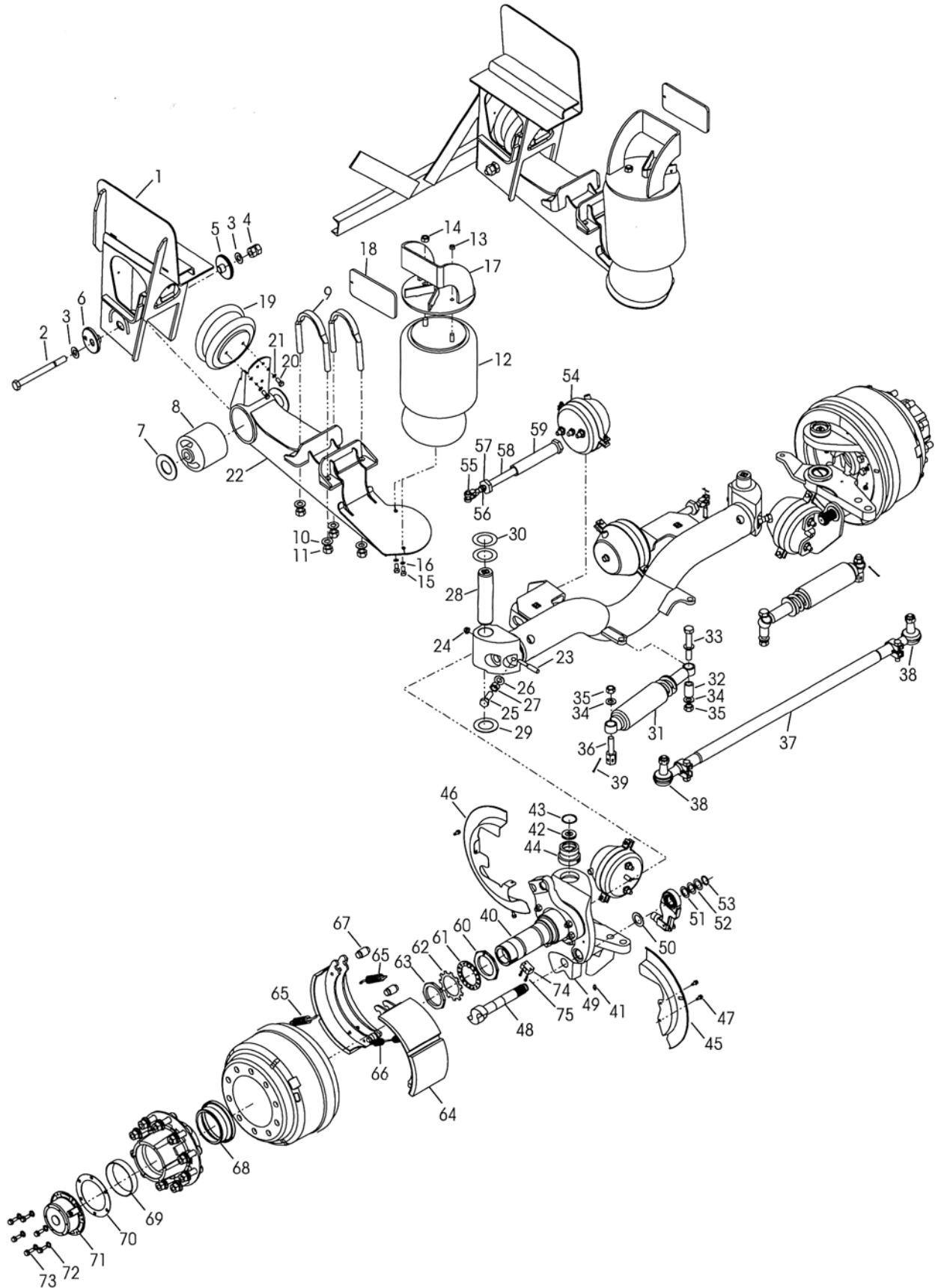
SUBJECT: Service Instructions

LIT NO: H758

DATE: June 2023

REVISION: C







TOUGHLIFT® LK Dual-Tire Steerable Lift Axle Suspension System

ITEM	PART NO.	DESCRIPTION	*NO.REQ.	ITEM	PART NO.	DESCRIPTION	*NO.REQ.
1	R-012757	Frame Hanger Assembly	1 EA		R-013484	Stabilizer Kit, Includes Item Nos. 31-36	1
	-9C1/-9C2	• 34" Frame Width 9.5" Ride Height		31	R-A-14496	Stabilizer	2
	-10C1/-10C2	10.5" Ride Height		32		**Spacer 0.812" X 1.25" X 1.120"	2
	-11C1/-11C2	11.5" Ride Height		33		**3/4"-10 X 4.5" Hex Nut Bolt Phos Gr 8	2
	-12C1/-12C2	12.5" Ride Height		34		**3/4" Harden Washer Zinc	6
	-13C1/-13C2	13.5" Ride Height		35		**3/4"-10 Lock Nut Zinc Gr C	4
	-9E1/-9E2	• 35" Frame Width 9.5" Ride Height		36		**Stabilizer Shock Pin	2
	-10E1/-10E2	10.5" Ride Height		37	R-013590-X	Tie Rod Assembly, Includes Item No. 38	1
	-11E1/-11E2	11.5" Ride Height		38	R-005098-1/-2	Tie Rod Ends	1 EA
	-12E1/-12E2	12.5" Ride Height		39	R-011164	Cotter Pin	2
	-13E1/-13E2	13.5" Ride Height		40	R-012401	Knuckle Assembly	1 EA
	R-004588	Pivot Bolt, Wear Pads and Bushing Kit, Includes Item Nos. 2-8, 76	2		-1/-2	Standard	
	R-A-21116	Pivot Bolt Kit, Includes Item Nos. 2-6	2		-1LS/-2LS	with Lock Straight Bracket	
2		**7/8" - 9 X 10" Heavy Hex Screw	2	41	R-002804	Zerk Fitting	2
3		**7/8" Washer Dacromet + L Harden	4	42	R-012459	Kingpin Cap	4
4	R-A-15122	QUIK-ALIGN® Service Nut	2	43	R-012460	Kingpin Cap Retaining Ring	4
5		**QUIK-ALIGN Concentric Collar	2	44	R-011562	Kingpin Housing	4
6		**QUIK-ALIGN Eccentric Collar	2		R-013485	Dust Shield Kit, Includes Item Nos. 45-47	1
7	R-B-11613	Wear Pad	4	45		**Lower Dust Shield LKT	2
8	R-C-3558	TRI-FUNCTIONAL® Bushing	2	46		**Upper Dust Shield LKT	2
	R-006362	U-bolt Kit, Includes Item Nos. 9-11	1	47		**5/16"-18 X 0.75" Bolt Zinc Tap Gr 8	8
9		**U-bolt w/Coined Radius Grade 8	4	48	R-012408-1/-2	S-Cam	1 EA
10		**7/8" -14 Hex Nut Zinc Gr C	8	49	R-013072-1/-2	S-Cam Washer Shield	1 EA
11		**7/8" Narrow Washer Zinc Yellow RC40-45	8	50	R-007203	S-Cam Inner Shield	2
12	R-B-14249	Ride Spring	2	51	R-007121	S-Cam Flat Washer, Thick	2
	R-A-1981	Ride Air Spring Fastener Kit, Includes Item Nos. 13-16	1	52	R-007202	S-Cam Flat Washer, Thin	4
13		**1/2"-13 Hex Nut Zinc Gr B	2	53	R-007122	S-Cam Clip	2
14		**3/4"-16 Hex Nut Zinc Gr B	2		R-013912	Lock Straight Service Kit, Includes Item Nos. 54-59	1
15		**1/2"-13 X 1.25" Hex Bolt Phos Gr 5	4	54	R-003513	Lock Straight Chamber, Includes Item No. 55	2
16		**1/2"- Lock Washer Zinc Reg	4	55	R-007732	Clevis Assembly 5/8"-18	2
17	R-013495	Upper Air Spring Assembly	1 EA	56	R-6010FH2JC	Lock Straight Jam Nut	6
	-1/-2	9.5"-10.5" Ride Height		57	R-013184	Threaded Nut Plate	2
	-C1/C2	11.5" Ride Height		58	R-012392	Clevis Guide Shaft	2
	-E1/E2	12.5" Ride Height		59	R-013362	Lock Straight Tube Assembly	2
	-01/-02	13.5" Ride Height			R-007463	P-22 HP Spindle Fastener Kit, Includes Item Nos. 60-63	2
18	R-013707	Upper Air Spring Frame Support Plate	2	60		**P-22 HP Spindle Nut Inner	2
19	R-B-14318	Lift Spring	2	61		**P-22 HP Spindle Lock Washer	2
	R-A-2849	Lift Spring Fastener Kit, Includes Item Nos. 20-21	2	62		**Tab Lock Washer 3.5" I.D.	2
20		**3/8"-16 X 1.00" Hex Bolt Phos Gr 5	4	63		**P-22 HP Spindle Nut Outer	2
21		**3/8"- Lock Washer Zinc Reg	4		R-009703-25H	QC Brake Shoe Kit, Includes Item Nos. 64-67	2
22	R-012752-1/-2	Beam Assembly	1 EA	64		**3/8"-16 X 1.00" Hex Bolt Phos Gr 5	2
	R-012562	Draw Key Kit, Includes Item Nos. 23-24	2	65		**Spring - Coil or Retaining Spring	4
23	R-008670	7/16"-20 Draw Key Lock Pin	2	66		**Spring - Brake Return 16.5" Brake Architecture	2
24	R-6007FH4FC	7/16"-20 Locking Flange Nut	2	67		**Pin - Anchor	4
	R-013913	Stop Bolt Service Kit, Includes Item Nos. 25-27	1	68	R-A-14895	Hub Seal	2
25	R-6112C300H4H8	3/4"-10 X 3.0" Hex Bolt	2	69	R-A-14897	Bearing Cone	2
26	R-6212H2H	3/4" Washer	2		R-008182	Axle Components Kit, Includes Item Nos. 70-73	1
27	R-6012CH2JC	3/4" Stop Bolt Jam Nut	2	70	R-007454	Hubcap Gasket 6.75" BC 6-Hole	2
		Kingpin Kit,		71	R-012899	Hubcap 6.75" BC; Oil; High Temp Sentinel Vent	2
	R-013483	With Kingpin, Includes Item Nos. 28-30	1	72		**5/16" Lock Washer Zinc Reg	12
	R-013483-1	Without Kingpin, Includes Item Nos. 29-30	1	73		**5/16"-18 X 0.75" Hex Bolt Phos Gr 5	12
28	R-011600	Kingpin Slotted 2.125" Dia	2	74	R-013348	ABS Mounting Bracket	2
29	R-012681	Thrust Bearing	2	75	R-6104C088H4A8	ABS Bracket Screws	4
30	R-012904	Shims	4	76		**Bushing Lubricant - 2 oz. (not shown)	1

NOTES * Quantities specified are shown per suspension. Quantities of service kit components may vary from amount shown in list, refer to the following service kit pages to confirm item quantities.

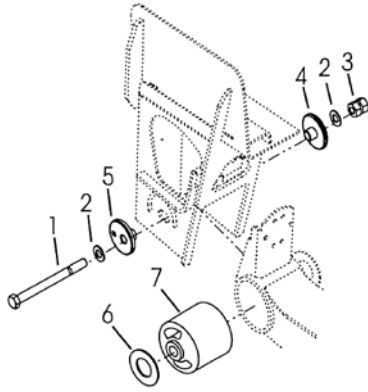
** Item included in assembly / kit only, part not sold separately.

*** Some components are determined by model specification, such as axles, brakes, and brake chambers. If the part is not listed, contact Hendrickson Specialty Products - Auxiliary Axle Systems with the lift axle model/serial number.



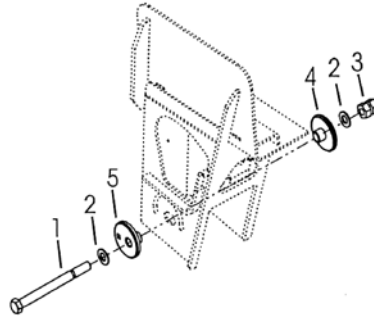
***SERVICE KITS**

Service Kit No. **R-004588** Pivot Bolt, Wear Pads and Bushing Kit



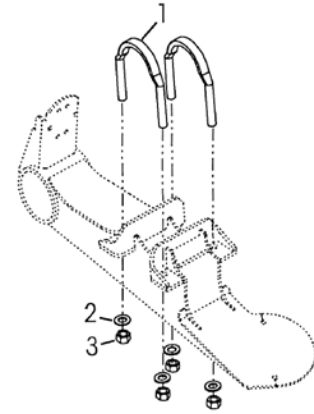
ITEM	CONTENTS	QTY.
1	7/8"-9 X 10" Heavy Hex Screw	1
2	7/8" Washer Dacromet + L Harden	2
3	QUIK-ALIGN Service Nut	1
4	QUIK-ALIGN Concentric Collar	1
5	QUIK-ALIGN Eccentric Collar	1
6	Wear Pad	4
7	Tri-Functional Bushing	1
8	Bushing Lubricant - 2 oz. (not shown)	1

Service Kit No. **R-A-21116** Pivot Bolt Fasteners Kit



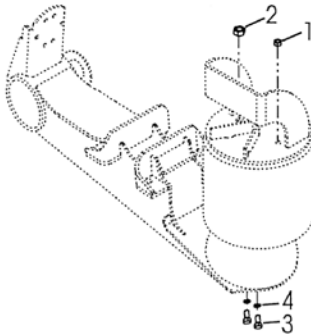
ITEM	CONTENTS	QTY.
1	7/8"-9 X 10" Heavy Hex Screw	1
2	7/8" Washer Dacromet + L Harden	2
3	QUIK-ALIGN Service Nut	1
4	QUIK-ALIGN Concentric Collar	1
5	QUIK-ALIGN Eccentric Collar	1

Service Kit No. **R-006362** U-bolt Fasteners Kit



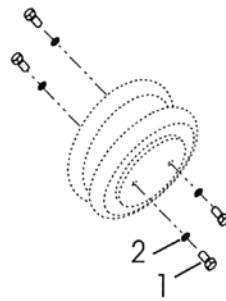
ITEM	CONTENTS	QTY.
1	U-bolt w/Coined Radius Grade 8	4
2	7/8"-14 Hex Nut Zinc Gr C	8
3	7/8" Narrow Washer Zinc Yellow RC40-45	8

Service Kit No. **R-A-1981** Ride Air Spring Fasteners Kit



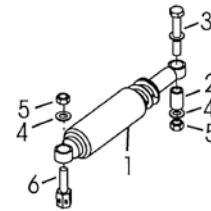
ITEM	CONTENTS	QTY.
1	1/2"-13 Hex Nut Zinc Gr B	2
2	3/4"-16 Hex Nut Zinc Gr B	2
3	1/2"-13 X 1.25" Hex Bolt Phos Gr 5	4
4	1/2" Lock Washer Zinc Reg	4

Service Kit No. **R-A-2849** Lift Air Spring Fasteners Kit



ITEM	CONTENTS	QTY.
1	3/8"-16 X 1.00" Hex Bolt Phos Gr 5	4
2	3/8" Lock Washer Zinc Reg	4

Service Kit No. **R-013484** Stabilizer Kit



ITEM	CONTENTS	QTY.
1	Stabilizer	2
2	Spacer 0.812" X 1.25" X 1.120"	2
3	3/4"-10 X 4.5" Hex Bolt Phos Gr 8	2
4	3/4" Harden Washer Zinc	6
5	3/4"-10 Lock Nut Zinc Gr C	4
6	Stabilizer Shock Pin	2



***SERVICE KITS**

Service Kit No.	Lock Straight Service Kit R-013912	Service Kit No.	P-22 HP Spindle Fasteners Kit R-007463	Service Kit No.	Axle Components Kit R-008182			
ITEM	CONTENTS	QTY.	ITEM	CONTENTS	QTY.	ITEM	CONTENTS	QTY.
1	Lock Straight Chamber	2	1	P-22 Spindle Nut Inner	1	1	Hubcap Gasket 6.75" BC 6-Hole	2
2	Clevis Assembly 5/8"-18	2	2	P-22 Spindle Lock Washer	1	2	Hubcap 6.75" BC; Oil; High Temp Sentinel Vent	2
3	Lock Straight Jam Nut	6	3	Tab Lock Washer 3.5" I.D.	1	3	5/16" Lock Washer Zinc Reg	12
4	Threaded Nut Plate	2	4	P-22 Spindle Nut Outer	1	4	5/16"-18 X 0.75" Hex Bolt Phos Gr 5	12
5	Clevis Guide Shaft	2						
6	Lock Straight Tube Assembly	2						
Service Kit No.	Kingpin Kit With Kingpin R-013483 Without Kingpin R-013483-1	Service Kit No.	Draw Key Kit R-012562	Service Kit No.	Stop Bolt Service Kit R-013484			
ITEM	CONTENTS	QTY.	ITEM	CONTENTS	QTY.	ITEM	CONTENTS	QTY.
1	Kingpin Slotted 2.125" Dia	2	1	7/16"-20 Draw Key Lock Pin	2	1	3/4"-10 X 2.25" Hex Bolt	2
2	Thrust Bearing	2	2	7/16"-20 Locking Flange Nut	2	2	3/4" Washer	2
3	Shims	4				3	3/4" Stop Bolt Jam Nut	2
Service Kit No.	Dust Shield Kit R-013485	Service Kit No.	QC Brake Shoe Kit R-009703-25H					
ITEM	CONTENTS	QTY.	ITEM	CONTENTS	QTY.			
1	Lower Dust Shield LKT	2	1	Brake Shoe 16.5 X 7	1			
2	Upper Dust Shield LKT	2	2	Spring - Coil or Retaining Spring	2			
3	5/16"-18 X 0.75" Bolt Zinc Tap Gr 8	8	3	Spring - Brake Return 16.5" Brake Architecture	1			
			4	Pin - Anchor	2			

* Quantities specified are shown per service kit. Refer to Page 2 for quantities of service kits needed per suspension.



*Actual product performance may vary depending upon vehicle configuration, operation, service and other factors.
All applications must comply with applicable Hendrickson specifications and must be approved by the respective vehicle manufacturer with the vehicle in its original, as-built configuration.
Contact Hendrickson for additional details regarding specifications, applications, capacities, and operation, service and maintenance instructions.*

Call Hendrickson at 800.660.2829 or 800.668.5360 in Canada for additional information.



www.hendrickson-intl.com

**SPECIALTY PRODUCTS -
AUXILIARY AXLE SYSTEMS**
277 North High Street
Hebron, OH 43025 USA
800.660.2829
740.929.5600 • Fax 740.929.5601

Hendrickson Canada ULC
2825 Argentia Road, Unit #2 - 4
Mississauga, ON Canada L5N 8G6
800.668.5360
905.789.1030 • Fax 905.812.9423

H758 Rev C 06-23

© 2014 - 2023 Hendrickson USA, L.L.C. All Rights Reserved. All trademarks shown are owned by Hendrickson USA, L.L.C., or one of its affiliates, in one or more countries.
Information contained in this literature was accurate at the time of publication. Product changes may have been made after the copyright date that are not reflected.

Printed in United States of America