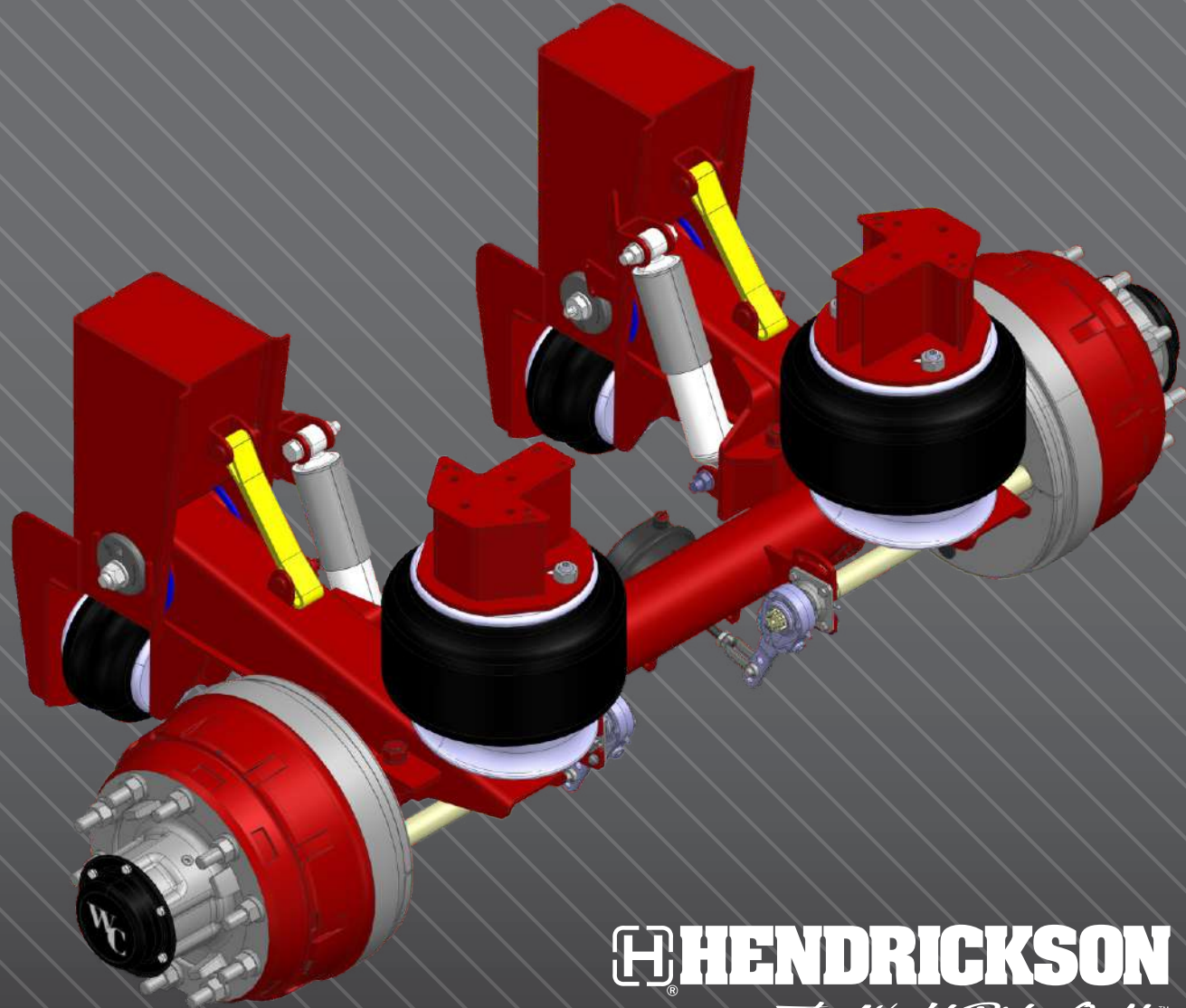


SPARE PART CATALOGUE

innovation
BUILT IN™

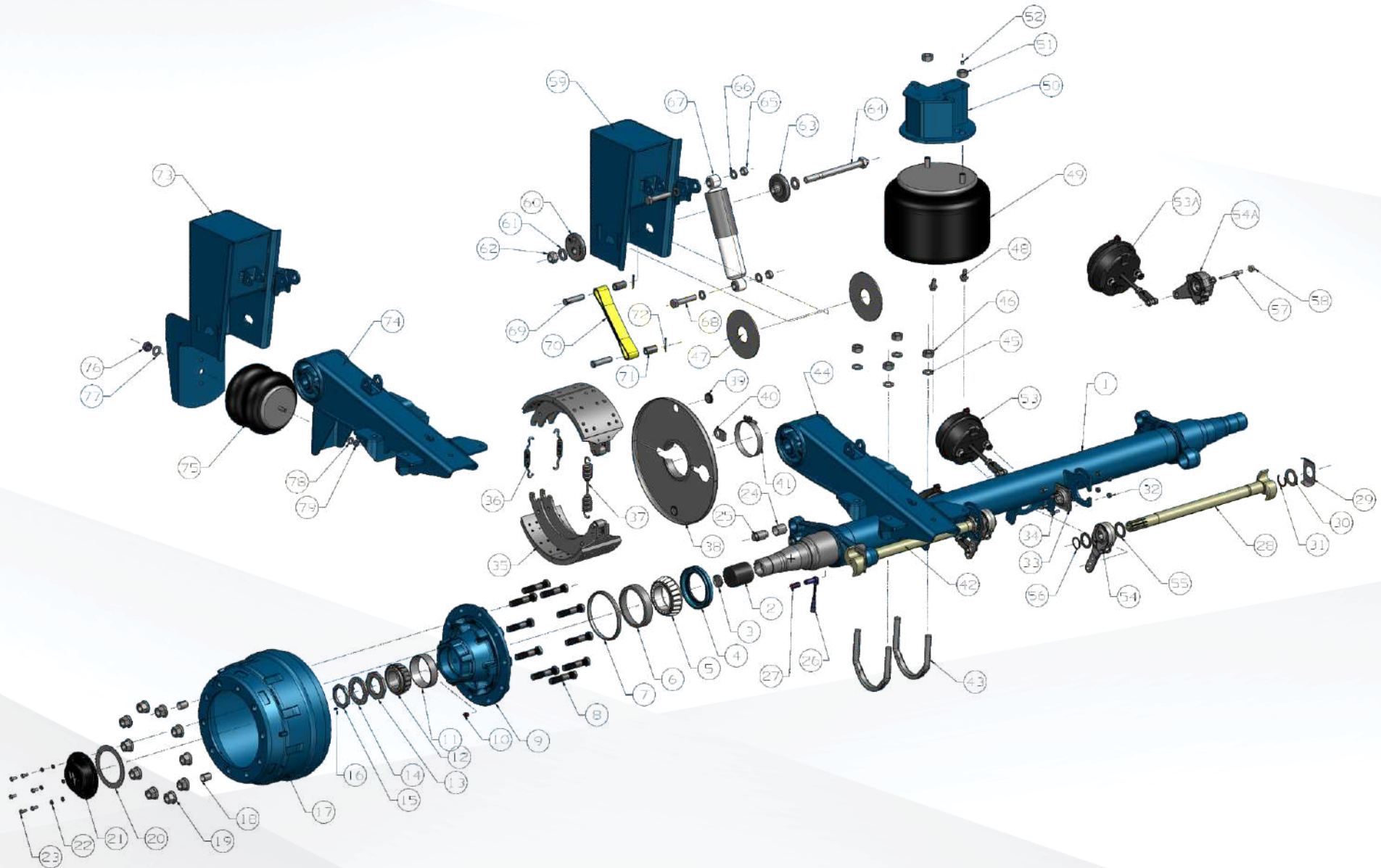


HENDRICKSON
The World Rides On Us™

W&C

TA 14 TON

EXPLODED VIEW



Genuine SPARES LIST - 14UL



SR. NO.	SERVICE PART NUMBER	DESCRIPTION	QTY / NOS
1	SA0315	B2A WELDMENT TOP MOUNT-TAPERED-1956MM-1000BC	1
	SA0316	B2A WELDMENT TOP MOUNT-TAPERED-1854MM-900BC	1
2	SA0270	FILTER, AXLE	2
3	SA0305	END PLUG, HN SPINDLE	2
4	SA0204	HP HUB SEAL - 150K GREASE	2
	SA0134	HUB SEAL HP-400K	2
5	SA0133	CONE-TAPER ROLLER BEARING (HM518445)	2
6		CUP-TAPER ROLLER BEARING (HM518410)	2
7	SA0255	ABS TONE RING	2
8	SA0287	M22X2.5-D TYPE STUD (100/125MM)	20
9	SA0289	HN HUB MACHINING - 335 MM BC.	2
10	SA0257	FILL PLUG	2
11	SA0286	CUP-OUTER TAPER ROLLER BEARING (33213)	2
12		CONE-OUTER TAPER ROLLER BEARING (33213)	2
13	SA0303	HN AXLE NUT, INNER	2
14	SA0302	HN, AXLE LOCK WASHER	2
15	SA0304	HN AXLE NUT, OUTER	2
16	SA0267	M6X1X12 SOCKET SET SCREW	2
17	SA0300	HN CAST BRAKE DRUM, 335MM B.C.	2
18	SA0206	SPIGOT BUSH	4
19	SA0139	M22X2.5 WHEEL NUT	20
20	SA0296/SA0297	HN HUB CAP GASKET 150K/400K	2
21	SA0294/SA0295	HN HUBCAP GREASE - NON VENTED -150K/400K	2
22	SA0263	SPRING WASHER M8	12
23	SA0262	M8X1.25X18 HEX HEAD SCREW	12
24	SA0236	ANCHOR PIN BUSHING	4
25	SA0237	ANCHOR PIN	4
26	SA0269	WHEEL SPEED SENSOR	2
27	SA0268	ABS SENSOR BUSH	2

Genuine SPARES LIST - 14UL



SR. NO.	SERVICE PART NUMBER	DESCRIPTION	QTY / NOS
28	SA0116	S-CAM, 10 SPLINES - RH	1
29	SA0250	CAM UNDERHEAD WASHER	2
30	SA0251	WASHER HARDENED	2
31	SA0252	S-CAM CLIP	2
32	SA0242	M8X1.25X25 HEX HEAD SCREW	8
33	SA0241	BEARING ASSEMBLY CAMSHAFT	2
34	SA0243	M8X1.25 TORQUE PREVAILING NUT	8
35	SA0240	BRAKE SHOE ASSEMBLY	4
36	SA0203	RETAINING SPRING	4
37	SA0202	RETURN SPRING	2
38	SA0245	DUST SHIELD	2
39	SA0247	DUST SHIELD INSPECTION PLUG	4
40	SA0246	DUST SHIELD ABS GROMMET	2
41	SA0244	BAND CLAMP	2
42	SA0117	S-CAM, 10 SPLINES - LH	1
43	SA0225	U-BOLT M22X1.5	4
44	8001591-XXX	BEAM ASSEMBLY, TOP MOUNT	2
45	SA0226	FLAT WASHER M22	8
46	SA0227	LOCK NUT M22X1.5	8
47	SA0104	BUSHING TUBE SPACER	4
48	SA-15200	METRIC FLANGE HEAD BOLT - M14X2	4
49	SA0205	TOP MOUNT MAIN AIR SPRING	2
50	SA0283	UPPER BAG ASSEMBLY	2
51	SA-11200-2	NUT LOCK M22X1.5	4
52	SA-15300-1	HEX SOCKET PIPE PLUG - M12X1.5	2
53	SA0119	BRAKE CHAMBER 30	2
	SA0120	BRAKE CHAMBER 30X30	2
	SA0285	BRAKE CHAMBER TY 24	2

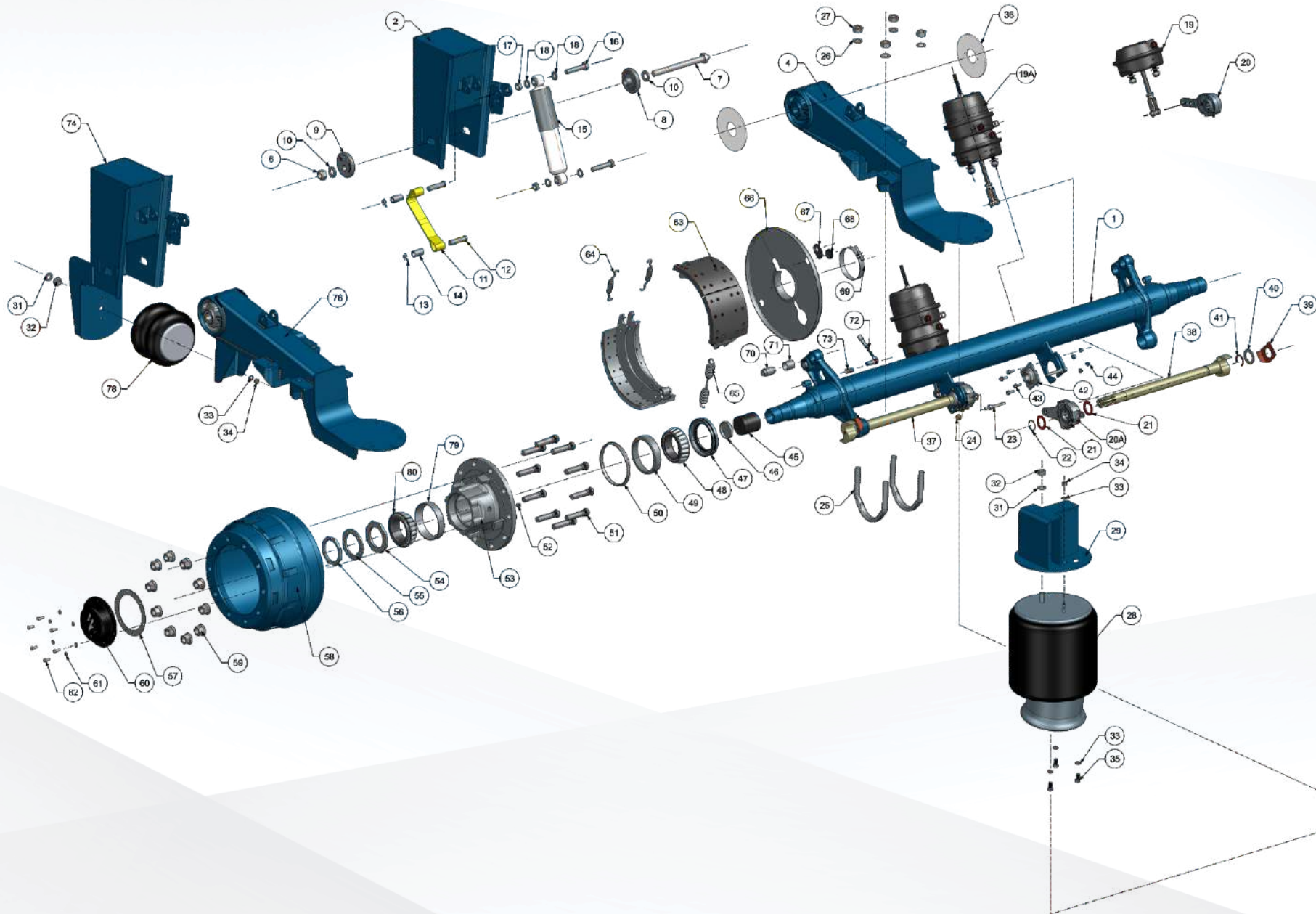
Genuine SPARES LIST - 14UL



SR. NO.	SERVICE PART NUMBER	DESCRIPTION	QTY / NOS
54	SA0156	MANUAL SLACK ADJUSTER 6" MEI 12.7 CLEVIS FOR TY24	2
	SA0122	MANUAL SLACK ADJUSTER 6" MEI 14 CLEVIS FOR TY30	2
	SA0123	AUTOMATIC SLACK ADJUSTER, 10 SPLINE	AR
55	SA0254	WASHER FLAT-10 SPLINE CAM SPACER	2
56	SA0253	RETAINING RING, SPIDER	2
57	SA0249	SPECIAL STUD - AUTOMATIC SLACK ADJUSTER	2
58	SA0248	SPECIAL NUT - AUTOMATIC SLACK ADJUSTER	2
59	SA0281/SA0282	FRAME HANGER ASSEMBLY LH/RH	2
60	S20925	ECCENTRIC WASHER, FLANGED	4
61	SA0217	HARDENED STEEL WASHER	2
62	SA0216	PREVAILING TORQUE HEAVY HEX NUT	2
63	S20924	CONCENTRIC WASHER, FLANGED	2
64	SA0215	SHEAR TYPE BOLT	4
65	SA0230	M18X2.5 TORQUE PREVAILING NUT	8
66	SA0229	WASHER FLAT M18	2
67	SA0108	SHOCK ABSORBER	4
68	SA0228	HEX HEAD CAPSCREW M18X2.5X90 MM	4
69	SA0232	CLEVIS PIN	2
70	SA0207	POLYESTER STRAP 10"X1.75" - 5 LAYER	2
	SA0231	NYLON STRAP 10"X1.75" - 7 LAYER	4
71	SA0234	STRAP SLEEVE	4
72	SA0233	COTTER PIN	2
73	SA0279/SA0280	FRAME HANGER ASSEMBLY,UBL	2
74	8001591-XXXUBL	BEAM ASSEMBLY, TOP MOUNT,UBL	2
75	SA0113	LIFT AIR SPRING	2
76	SA0220	M20 NYLOC NUT	2
77	SA0317	M20 HARDENED WASHER	2
78	SA0318	M12 HARDENED WASHER	2
79	SA0219	M12 NYLOC NUT	2

TA 14 TON

EXPLODED VIEW



Genuine SPARES LIST - 14HD



SR. NO.	SERVICE PART NUMBER	DESCRIPTION	QTY / NOS
1	SA0308	B2A WELDMENT LOW MOUNT-TAPERED-1956MM-1000BC	1
	SA0310	B2A WELDMENT OW MOUNT-TAPERED-1854MM-900BC	1
2	SA0101-1L	FRAME HANGER ASSEMBLY LH	1
3	SA0101-1R	FRAME HANGER ASSEMBLY RH	1
4	52000282.L01	BEAM ASSEMBLY LH	1
5	52000282.R01	BEAM ASSEMBLY RH	1
6	SA0216	PREVAILING TORQUE HEAVY HEX NUT	2
7	SA0215	SHEAR TYPE BOLT	2
8	S20924	CONCENTRIC WASHER, FLANGED	2
9	S20925	ECCENTRIC WASHER, FLANGED	2
10	SA0217	HARDENED STEEL WASHER	4
11	SA0207	POLYESTER STRAP 10"X1.75" - 5 LAYER	2
	SA0231	NYLON STRAP 10"X1.75" - 7 LAYER	2
12	SA0232	CLEVIS PIN	4
13	SA0233	COTTER PIN	4
14	SA0234	STRAP SLEEVE	4
15	SA0108	SHOCK ABSORBER	2
16	SA0228	HEX HEAD CAPSCREW M18X2.5X90 MM	4
17	SA0230	M18X2.5 TORQUE PREVAILING NUT	4
18	SA0229	WASHER FLAT M18	8
19	SA0119	BRAKE CHAMBER 30	2
	SA0120	BRAKE CHAMBER 30X30	2
	SA0285	BRAKE CHAMBER TY 24	2
20	SA0156	MANUAL SLACK ADJUSTER 6" MEI 12.7 CLEVIS FOR TY24	2
	SA0122	MANUAL SLACK ADJUSTER 6" MEI 14 CLEVIS FOR TY30	2
	SA0123	AUTOMATIC SLACK ADJUSTER, 10 SPLINE	2
21	SA0254	WASHER FLAT-10 SPLINE CAM SPACER	AR
22	SA0253	RETAINING RING, SPIDER	2
23	SA0249	SPECIAL STUD - AUTOMATIC SLACK ADJUSTER	2

Genuine SPARES LIST - 14HD



SR. NO.	SERVICE PART NUMBER	DESCRIPTION	QTY / NOS
24	SA0248	SPECIAL NUT - AUTOMATIC SLACK ADJUSTER	2
25	SA0225	U-BOLT M22X1.5	4
26	SA0226	FLAT WASHER M22	8
27	SA0227	LOCK NUT M22X1.5	8
28	SA0105	MAIN AIR SPRING	2
29	SA0103-1L	UPPER BAG ASSEMBLY LH	1
30	SA0103-1R	UPPER BAG ASSEMBLY RH	1
31	SA0221	M20 SPRING WASHER	2
32	SA0220	M20 NUT	2
33	SA0222	M12 SPRING WASHER	8
34	SA0219	M12 NUT	2
35	SA0223	M12 BOLT	6
36	SA0104	BUSHING TUBE SPACER	4
37	SA0116	S CAM LH	1
38	SA0117	S CAM RH	1
39	SA0250	CAM UNDERHEAD WASHER	2
40	SA0251	WASHER HARDENED	2
41	SA0252	S-CAM CLIP	2
42	SA0241	BEARING ASSEMBLY CAMSHAFT	2
43	SA0242	M8X1.25X25 HEX HEAD SCREW	8
44	SA0243	M8X1.25 TORQUE PREVAILING NUT	8
45	SA0270	FILTER, AXLE	2
46	SA0305	END PLUG, HN SPINDLE	2
47	SA0204	HP HUB SEAL - 150K GREASE	2
	SA0134	HUB SEAL HP-400K	2
48	SA0133	CONE-TAPER ROLLER BEARING (HM518445)	2
49		CUP-TAPER ROLLER BEARING (Hm518410)	2
50	SA0255	ABS TONE RING	2
51	SA0287	M22X2.5-D TYPE STUD (100/125MM)	20

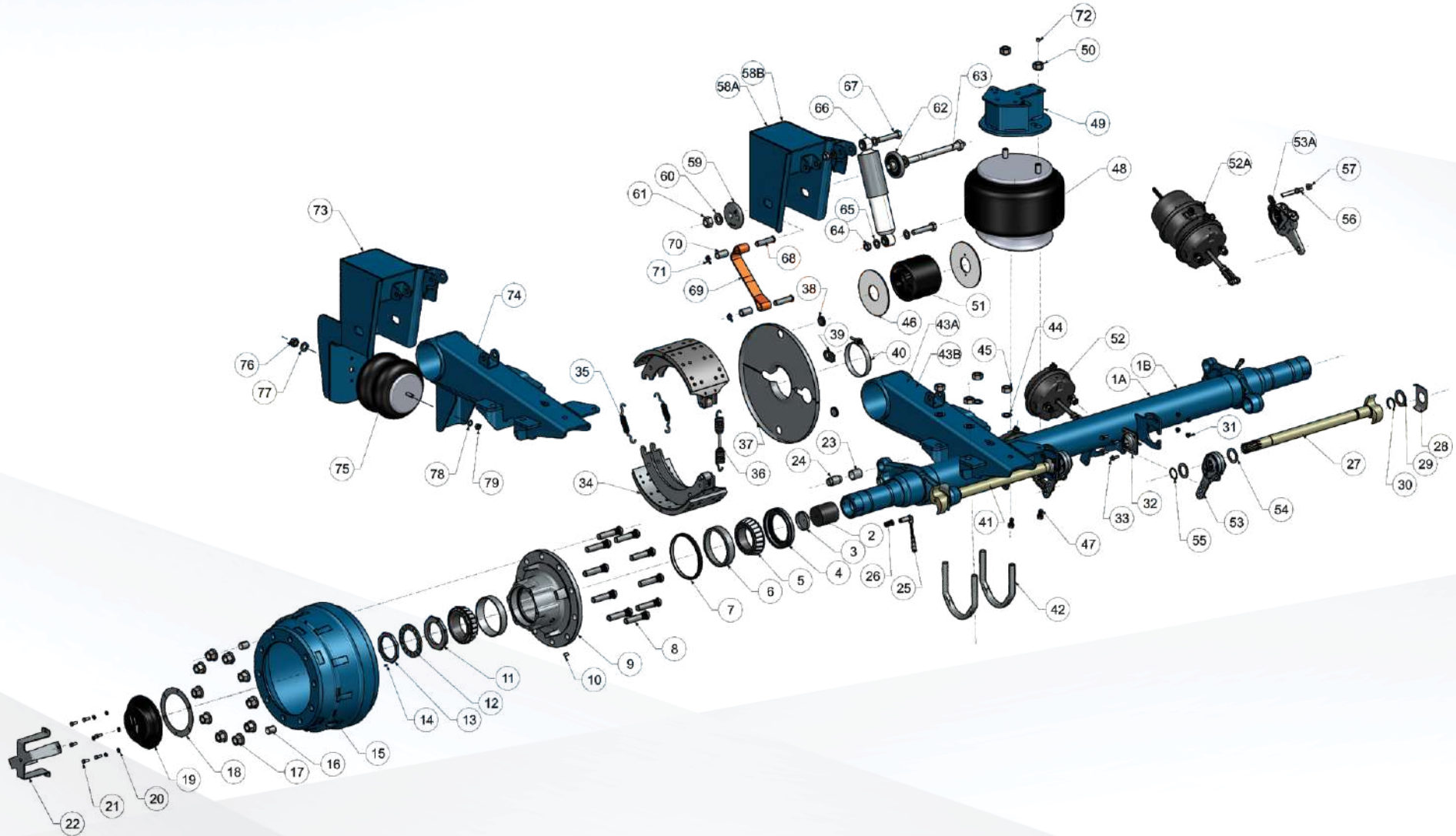
Genuine SPARES LIST - 14HD



SR. NO.	SERVICE PART NUMBER	DESCRIPTION	QTY / NOS
52	SA0257	FILL PLUG	2
53	SA0289	HN HUB MACHINING - 335 MM BC.	2
54	SA0303	HN AXLE NUT, INNER	2
55	SA0302	HN, AXLE LOCK WASHER	2
56	SA0304	HN AXLE NUT, OUTER	2
57	SA0296/SA0297	HN HUB CAP GASKET 150K/400K	2
58	SA0300	HN CAST BRAKE DRUM, 335MM B.C.	2
59	SA0139	M22X2.5 WHEEL NUT	20
60	SA0294/SA0295	HN HUBCAP GREASE - NON VENTED -150K/400K	2
61	SA0263	SPRING WASHER M8	12
62	SA0262	M8X1.25X18 HEX HEAD SCREW	12
63	SA0240	BRAKE SHOE ASSEMBLY	4
64	SA0203	RETAINING SPRING	4
65	SA0202	RETURN SPRING	2
66	SA0245	DUST SHIELD	2
67	SA0246	DUST SHIELD ABS GROMMET	2
68	SA0247	DUST SHIELD INSPECTION PLUG	4
69	SA0244	BAND CLAMP	2
70	SA0236	ANCHOR PIN	4
71	SA0237	ANCHOR PIN BUSHING	4
72	SA0269	WHEEL SPEED SENSOR	2
73	SA0268	ABS SENSOR BUSH	2
74	SA0102-1L	FRAME HANGER ASSEMBLY WITH LIFT LH	1
75	SA0102-1R	FRAME HANGER ASSEMBLY WITH LIFT RH	1
76	52000282.L01SK	BEAM ASSEMBLY WITH LIFT LH	1
77	52000282.R01SK	BEAM ASSEMBLY WITH LIFT RH	1
78	SA0113	LIFT AIR SPRING	2
79	SA0286	CUP-OUTER TAPER ROLLER BEARING (33213)	2
80		CONE-OUTER TAPER ROLLER BEARING (33213)	2

TA 15

EXPLODED VIEW



Genuine SPARES LIST - 15



SR. NO.	SERVICE PART NUMBER	DESCRIPTION	QTY / NOS
1	SA0112-1	B2A WELDMENT TOP MOUNT-PARALLEL-1956MM-1000BC	1
	SA0112-2	B2A WELDMENT TOP MOUNT-PARALLEL-1854MM-900BC	1
2	SA0270	FILTER, AXLE	2
3	SA0271	END PLUG, HP SPINDLE	2
4	SA0204	HP HUB SEAL - 150K GREASE	2
	SA0134	HUB SEAL HP-400K	2
5	SA0133	CONE-TAPER ROLLER BEARING (HM518445)	4
6		CUP-TAPER ROLLER BEARING (HM518410)	4
7	SA0255	ABS TONE RING	2
8	SA0131	WHEEL STUD M22X2.5X97/120 MM	20
9	SA0256	HUB MACHINING HP	2
10	SA0257	FILL PLUG	2
11	SA0265	HP AXLE NUT, INNER	2
12	SA0264	HP, AXLE LOCK WASHER	2
13	SA0266	HP AXLE NUT, OUTER	2
14	SA0267	M6X1X12 SOCKET SET SCREW	2
15	SA0138	BRAKE DRUM MACHINED	2
16	SA0206	SPIGOT BUSH	4
17	SA0139	M22X2.5 WHEEL NUT	20
18	SA0284	HP HUB CAP GASKET - 150K	2
	SA0274	HP HUB CAP GASKET - 400K	2
19	SA0260/SA0261	HP HUB CAP	2
20	SA0263	SPRING WASHER M8	12
21	SA0262	M8X1.25X18 HEX HEAD SCREW	12
22	SA0210	HUB ODOMETER BRACKET	
23	SA0237	ANCHOR PIN BUSHING	4
24	SA0236	ANCHOR PIN	4
25	SA0269	WHEEL SPEED SENSOR	2
26	SA0268	ABS SENSOR BUSH	2

Genuine SPARES LIST - 15



SR. NO.	SERVICE PART NUMBER	DESCRIPTION	QTY / NOS
27	SA0117	S-CAM, 10 SPLINES - RH	1
28	SA0250	CAM UNDERHEAD WASHER	2
29	SA0251	WASHER HARDENED	2
30	SA0252	S-CAM CLIP	2
31	SA0242	M8X1.25X25 HEX HEAD SCREW	8
32	SA0241	BEARING ASSEMBLY CAMSHAFT	2
33	SA0243	M8X1.25 TORQUE PREVAILING NUT	8
34	SA0240	BRAKE SHOE ASSEMBLY	4
35	SA0203	RETAINING SPRING	4
36	SA0202	RETURN SPRING	2
37	SA0245	DUST SHIELD	2
38	SA0247	DUST SHIELD INSPECTION PLUG	4
39	SA0246	DUST SHIELD ABS GROMMET	2
40	SA0244	BAND CLAMP	2
41	SA0116	S-CAM, 10 SPLINES - LH	1
42	SA0225	U-BOLT M22X1.5	4
43	8001591-XXX	BEAM ASSEMBLY, TOP MOUNT	2
44	SA0226	FLAT WASHER M22	8
45	SA0227	LOCK NUT M22X1.5	8
46	SA0104	BUSHING TUBE SPACER	4
47	SA-15200	METRIC FLANGE HEAD BOLT - M14X2	4
48	SA0205	TOP MOUNT MAIN AIR SPRING	2
49	SA0283	UPPER BAG ASSEMBLY	2
50	SA-11200-2	NUT LOCK M22X1.5	4
51	SA0218	BUSHING MULTIFUNCTION	2
52	SA0119	BRAKE CHAMBER 30	2
	SA0120	BRAKE CHAMBER 30X30	2
	SA0285	BRAKE CHAMBER TY 24	2
53	SA0156	MANUAL SLACK ADJUSTER 6" MEI 12.7 CLEVIS FOR TY24	2

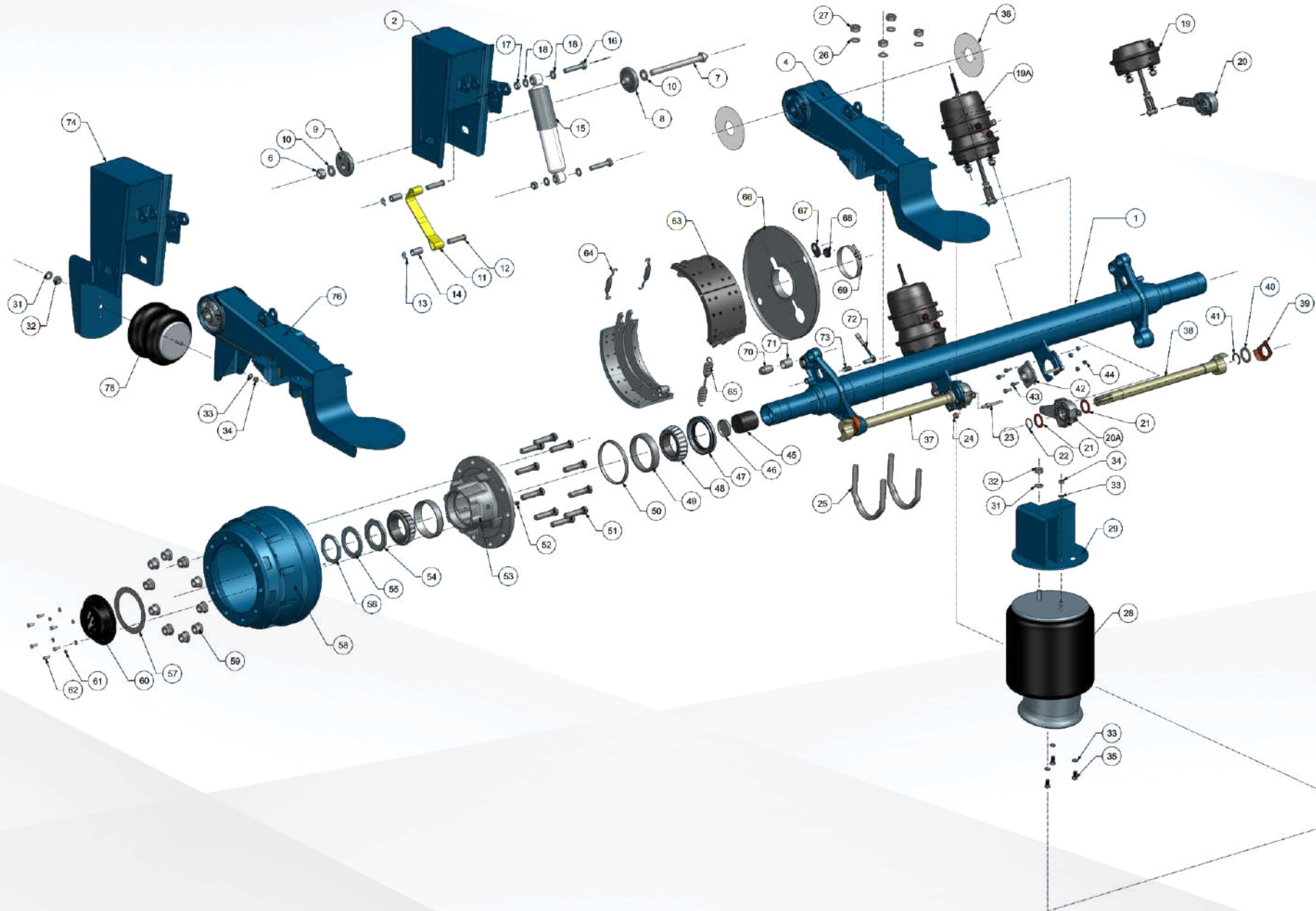
Genuine SPARES LIST - 15



SR. NO.	SERVICE PART NUMBER	DESCRIPTION	QTY / NOS
53	SA0122	MANUAL SLACK ADJUSTER 6" MEI 14 CLEVIS FOR TY30	2
	SA0123	AUTOMATIC SLACK ADJUSTER, 10 SPLINE	2
54	SA0254	WASHER FLAT-10 SPLINE CAM SPACER	AR
55	SA0253	RETAINING RING, SPIDER	2
56	SA0249	SPECIAL STUD - AUTOMATIC SLACK ADJUSTER	2
57	SA0248	SPECIAL NUT - AUTOMATIC SLACK ADJUSTER	2
58	SA0281/SA0282	FRAME HANGER ASSEMBLY LH/RH	2
59	S20925	ECCENTRIC WASHER, FLANGED	2
60	SA0217	HARDENED STEEL WASHER	4
61	SA0216	PREVAILING TORQUE HEAVY HEX NUT	2
62	S20924	CONCENTRIC WASHER, FLANGED	2
63	SA0215	SHEAR TYPE BOLT	2
64	SA0230	M18X2.5 TORQUE PREVAILING NUT	4
65	SA0229	WASHER FLAT M18	8
66	SA0108	SHOCK ABSORBER	2
67	SA0228	HEX HEAD CAPSCREW M18X2.5X90 MM	4
68	SA0232	CLEVIS PIN	4
69	SA0207	POLYESTER STRAP 10"X1.75" - 5 LAYER	2
	SA0231	NYLON STRAP 10"X1.75" - 7 LAYER	2
70	SA0234	STRAP SLEEVE	4
71	SA0233	COTTER PIN	4
72	SA-15300-1	HEX SOCKET PIPE PLUG - M12X1.5	2
73	SA0279/SA0280	FRAME HANGER ASSEMBLY,UBL	2
74	8001591-XXXUBL	BEAM ASSEMBLY, TOP MOUNT,UBL	2
75	SA0113	LIFT AIR SPRING	2
76	SA0220	M20 NYLOC NUT	2
77	SA0317	M20 HARDENED WASHER	2
78	SA0318	M12 HARDENED WASHER	2
79	SA0219	M12 NYLOC NUT	2

TA 15 TON

EXPLODED VIEW



Genuine SPARES LIST - 15HD



SR. NO.	SERVICE PART NUMBER	DESCRIPTION	QTY / NOS
1	SA0111-2	B2A WELDMENT LOW MOUNT-PARALLEL-1956MM-1000BC	
	SA0111-3	B2A WELDMENT LOW MOUNT-PARALLEL-1854MM-900BC	1
2	SA0101-1L	FRAME HANGER ASSEMBLY LH	1
3	SA0101-1R	FRAME HANGER ASSEMBLY RH	1
4	52000282.L01	BEAM ASSEMBLY LH	1
5	52000282.R01	BEAM ASSEMBLY RH	1
6	SA0216	PREVAILING TORQUE HEAVY HEX NUT	2
7	SA0215	SHEAR TYPE BOLT	2
8	S20924	CONCENTRIC WASHER, FLANGED	2
9	S20925	ECCENTRIC WASHER, FLANGED	2
10	SA0217	HARDENED STEEL WASHER	4
11	SA0207	POLYESTER STRAP 10"X1.75" - 5 LAYER	2
	SA0231	NYLON STRAP 10"X1.75" - 7 LAYER	2
12	SA0232	CLEVIS PIN	4
13	SA0233	COTTER PIN	4
14	SA0234	STRAP SLEEVE	4
15	SA0108	SHOCK ABSORBER	2
16	SA0228	HEX HEAD CAPSCREW M18X2.5X90 MM	4
17	SA0230	M18X2.5 TORQUE PREVAILING NUT	4
18	SA0229	WASHER FLAT M18	8
19	SA0119	BRAKE CHAMBER 30	2
	SA0120	BRAKE CHAMBER 30X30	2
	SA0285	BRAKE CHAMBER TY 24	2
20	SA0156	MANUAL SLACK ADJUSTER 6" MEI 12.7 CLEVIS FOR TY24	2
	SA0122	MANUAL SLACK ADJUSTER 6" MEI 14 CLEVIS FOR TY30	2
	SA0123	AUTOMATIC SLACK ADJUSTER, 10 SPLINE	2
21	SA0254	WASHER FLAT-10 SPLINE CAM SPACER	AR
22	SA0253	RETAINING RING, SPIDER	2
23	SA0249	SPECIAL STUD - AUTOMATIC SLACK ADJUSTER	2

Genuine SPARES LIST - 15HD



SR. NO.	SERVICE PART NUMBER	DESCRIPTION	QTY / NOS
24	SA0248	SPECIAL NUT - AUTOMATIC SLACK ADJUSTER	2
25	SA0225	U-BOLT M22X1.5	4
26	SA0226	FLAT WASHER M22	8
27	SA0227	LOCK NUT M22X1.5	8
28	SA0105	MAIN AIR SPRING	2
29	SA0103-1L	UPPER BAG ASSEMBLY LH	1
30	SA0103-1R	UPPER BAG ASSEMBLY RH	1
31	SA0221	M20 SPRING WASHER	2
32	SA0220	M20 NUT	2
33	SA0222	M12 SPRING WASHER	8
34	SA0219	M12 NUT	2
35	SA0223	M12 BOLT	6
36	SA0104	BUSHING TUBE SPACER	4
37	SA0116	S CAM LH	1
38	SA0117	S CAM RH	1
39	SA0250	CAM UNDERHEAD WASHER	2
40	SA0251	WASHER HARDENED	2
41	SA0252	S-CAM CLIP	2
42	SA0241	BEARING ASSEMBLY CAMSHAFT	2
43	SA0242	M8X1.25X25 HEX HEAD SCREW	8
44	SA0243	M8X1.25 TORQUE PREVAILING NUT	8
45	SA0270	FILTER, AXLE	2
46	SA0305	END PLUG, HP SPINDLE	2
47	SA0204	HP HUB SEAL - 150K GREASE	2
	SA0134	HUB SEAL HP-400K	2
48	SA0133	CONE-TAPER ROLLER BEARING (HM518445)	4
49		CUP-TAPER ROLLER BEARING (HM518410)	4
50	SA0255	ABS TONE RING	2
51	SA0131	WHEEL STUD M22X2.5X97/120 MM	20

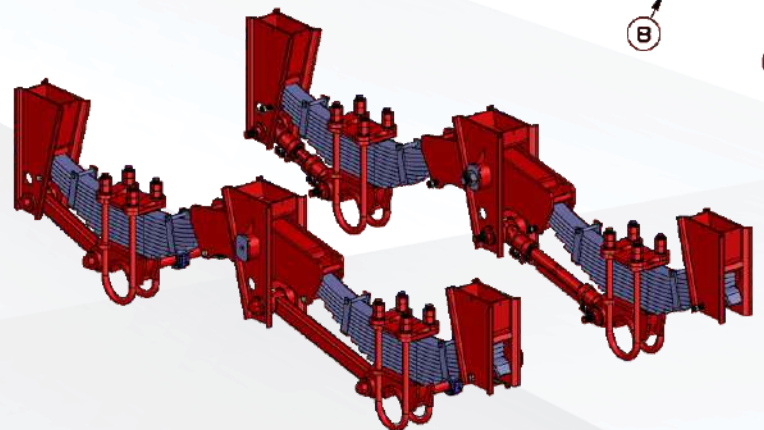
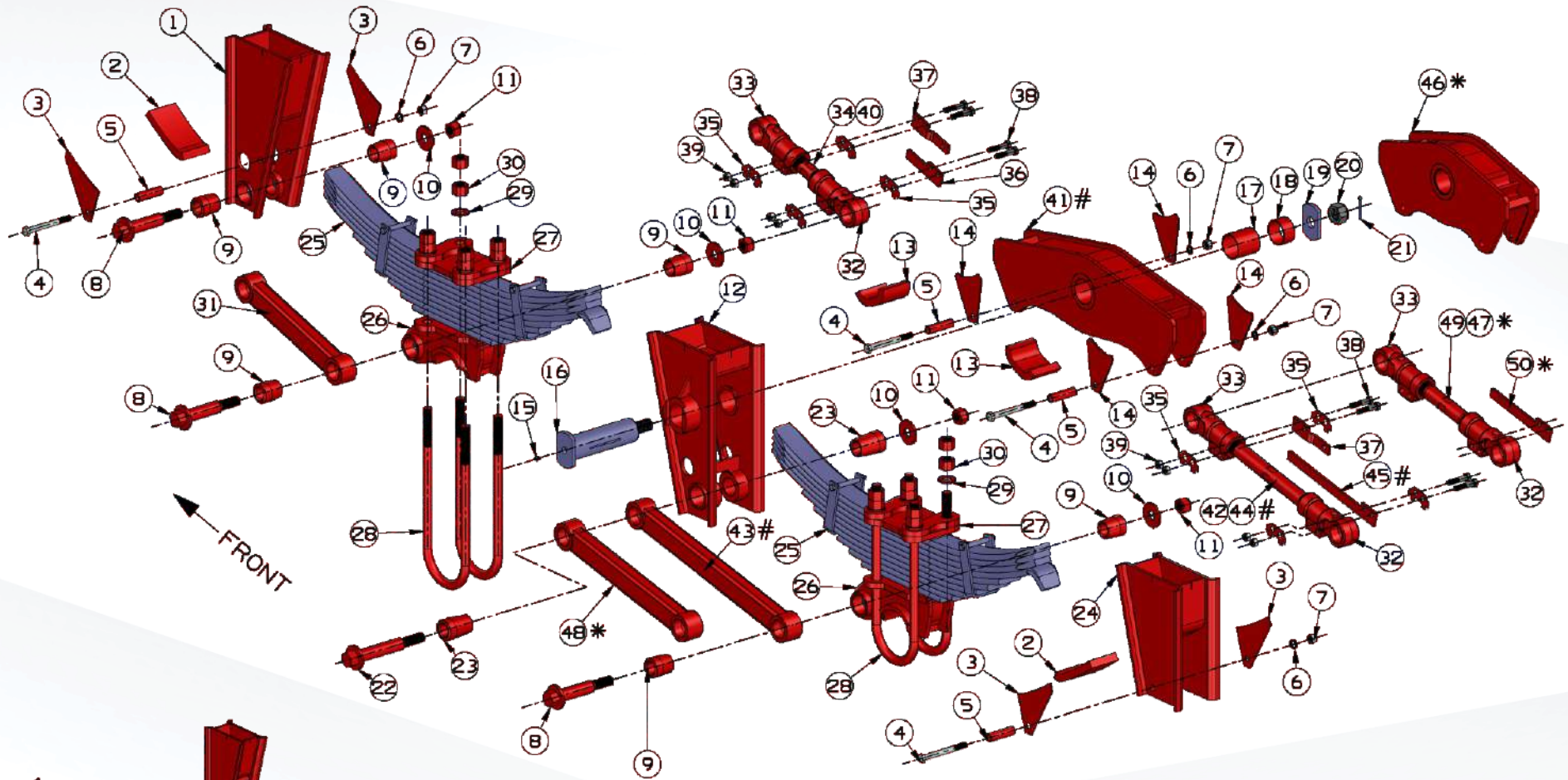
Genuine SPARES LIST - 15HD



SR. NO.	SERVICE PART NUMBER	DESCRIPTION	QTY / NOS
52	SA0257	FILL PLUG	2
53	SA0256	HUB MACHINING HP	2
54	SA0265	HP AXLE NUT, INNER	2
55	SA0264	HP, AXLE LOCK WASHER	2
56	SA0266	HP AXLE NUT, OUTER	2
57	SA0284	HP HUB CAP GASKET - 150K	2
	SA0274	HP HUB CAP GASKET - 400K	2
58	SA0138	BRAKE DRUM MACHINED	2
59	SA0139	M22X2.5 WHEEL NUT	20
60	SA0260/SA0261	HP HUB CAP	2
61	SA0263	SPRING WASHER M8	12
62	SA0262	M8X1.25X18 HEX HEAD SCREW	12
63	SA0240	BRAKE SHOE ASSEMBLY	4
64	SA0203	RETAINING SPRING	4
65	SA0202	RETURN SPRING	2
66	SA0245	DUST SHIELD	2
67	SA0246	DUST SHIELD ABS GROMMET	2
68	SA0247	DUST SHIELD INSPECTION PLUG	4
69	SA0244	BAND CLAMP	2
70	SA0236	ANCHOR PIN	4
71	SA0237	ANCHOR PIN BUSHING	4
72	SA0269	WHEEL SPEED SENSOR	2
73	SA0268	ABS SENSOR BUSH	2
74	SA0102-1L	FRAME HANGER ASSEMBLY WITH LIFT LH	1
75	SA0102-1R	FRAME HANGER ASSEMBLY WITH LIFT RH	1
76	52000282.L01SK	BEAM ASSEMBLY WITH LIFT LH	1
77	52000282.R01SK	BEAM ASSEMBLY WITH LIFT RH	1
78	SA0113	LIFT AIR SPRING	2

MS16 T 75X16

AFTERMARKET CATALOGUE



Genuine SPARES LIST – MS16 T 75X16



SR. NO.	SERVICE PART NUMBER	DESCRIPTION	QTY / NOS
1	SA0162	FRONT HANGER ASSEMBLY	2
2	SA0176	FRONT & REAR HANGER WEAR PAD LOOSE	4
3	SA0178	FRONT & REAR HANGER WEAR PLATE	4
4	SA0348	BOLT M14 X1.5 X 140mm_10.9 GR	8
5	SA0349	PIPE SPACER OD21XID15X79	8
6	SA0350	SPRING WASHER M14	8
7	SA0351	NYLOCK NUT M14 X 1.5	8
8	SA0352	TORQUE ARM PIN FOR HANGER & SPRING SEAT	6
9	SA0076	POLY BUSH FOR FRONT HANGER AND SPRING SEAT	12
10	SA0353	TORQUE ARM PIN WASHER	8
11	SA0354	NYLOCK NUT M24 X 3.00	8
12	SA0163	MIDDLE HANGER ASSEMBLY	2
13	SA0177	EQUALISER WEAR PAD LOOSE	4
14	SA0179	EQUALIZER WEAR PLATE	8
15	SA0355	GREASE NIPPLE M10X1	2
16	SA0356	EQUALIZER PIN M30X3.5x275mm	2
17	SA0357	INSIDE EQUALIZER BUSH_72	2
18	SA0358	INSIDE EQUALIZER BUSH_35	2
19	SA0359	EQUALIZER PIN PLATE	2
20	SA0360	NYLOC NUT M30X3.50	2
21	SA0361	COTTER PIN DIA-8MM	2
22	SA0362	TORQUE ARM PIN FOR MIDDLE HANGER	2
23	SA0077	POLY BUSH FOR MIDDLE HANGER	4
24	SA0165	REAR HANGER ASSEMBLY	2
25	SA0170	LEAF SPRING ASSEMBLY 75X16MM X 10 LEAF_AK 01000360000	4
	SA0184	LEAF SPRING ASSEMBLY 75X16MM X 10 LEAF_SH	4
26	SA0166	SPRING SEAT ASSEMBLY	4
27	SA0066	LEAF SPRING TOP BRACKET ASSEMBLY	4

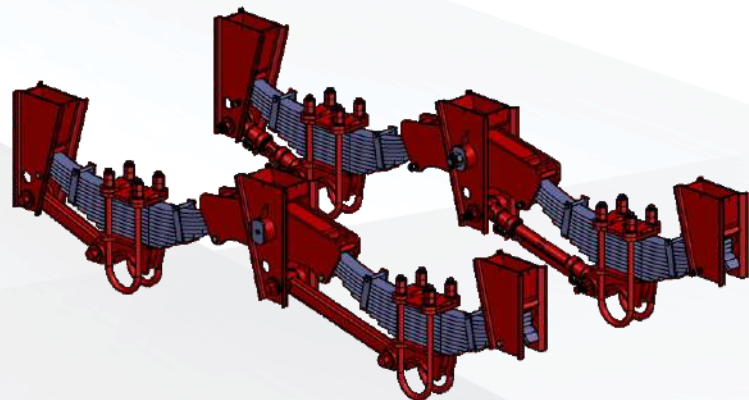
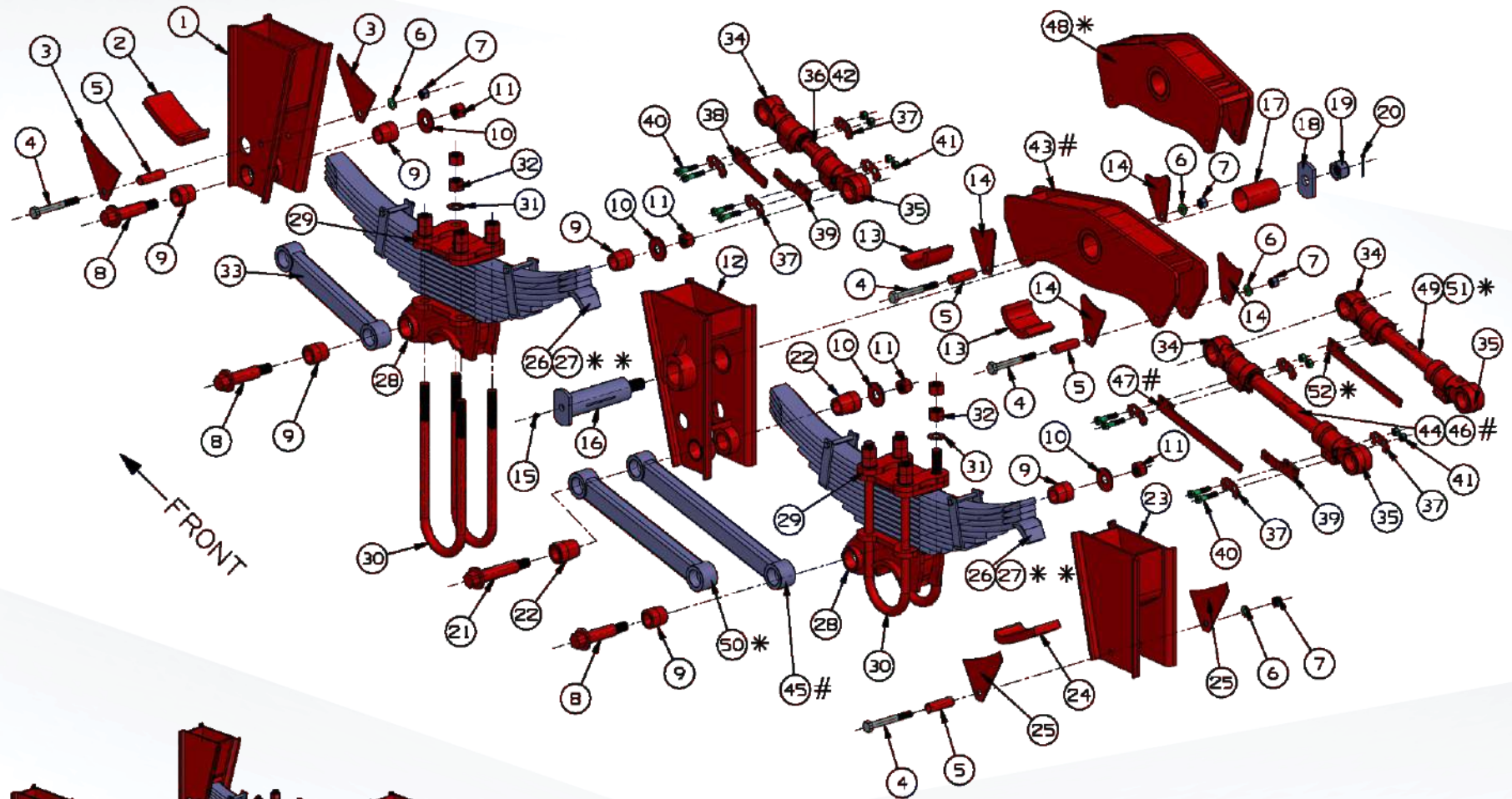
Genuine SPARES LIST – MS16 T 75X16



SR. NO.	SERVICE PART NUMBER	DESCRIPTION	QTY / NOS
28	Sa0363	U BOLT M24X2	8
29	SA0364	WASHER	16
30	SA0365	M24X2 HEXAGON NUT	32
31	SA0073	FIXED SMALL TORQUE ARM ASSEMBLY_380MM	1
32	SA0366	ADJUSTABLE TORQUE ARM CAST LH PART	2
33	SA0367	ADJUSTABLE TORQUE ARM CAST RH PART	2
34	SA0368	ADJUSTABLE TORQUE ARM SMALL ROD	1
35	SA0369	ADJUSTABLE TORQUE ARM BOLT LOCKING PLATE	8
36	SA0370	ADJUSTABLE TORQUE ARM BOLT ALIGNMENT PLATE 2	1
37	SA0371	ADJUSTABLE TORQUE ARM BOLT ALIGNMENT PLATE 1	2
38	SA0372	BOLT M12X1.75X60	8
39	SA0373	NYLOCK NUT M12X1.75	8
40	SA0069	ADJUSTABLE SMALL TORQUE ARM ASSEMBLY_380MM	1
41	SA0164	EQUALIZER ASSEMBLY _1540mm	2
42	SA0071	ADJUSTABLE BIG TORQUE ARM ASSEMBLY_600MM_1540MM	1
43	SA0074	FIXED BIG TORQUE ARM ASSEMBLY_600MM	1
44	SA0374	ADJUSTABLE TORQUE ARM BIG ROD	1
45	SA0375	ADJUSTABLE BIG TORQUE ARM BOLT ALIGNMENT PLATE 1	1
46	SA0183	EQUALIZER ASSEMBLY -1300mm	2
47	SA0191	ADJUSTABLE BIG TORQUE ARM ASSEMBLY_483.5MM_1300MM	1
48	SA0192	FIXED BIG TORQUE ARM ASSEMBLY_483.5MM_1300MM	1
49	SA0376	ADJUSTABLE TORQUE ARM BIG ROD 483.5MM 1300MM	1
50	Sa0377	ADJUSTABLE BIG TORQUE ARM BOLT ALIGNMENT PLATE 1 FOR 483.5MM 1300MM	1

MS18 T 80X16

AFTERMARKET CATALOGUE



Genuine SPARES LIST – MS18 T 80X16



SR. NO.	SERVICE PART NUMBER	DESCRIPTION	QTY / NOS
1	SA0061	FRONT HANGER BRACKET ASSEMBLY	2
2	SA0087	FRONT HANGER WEAR PAD LOOSE	2
3	SA0091	FRONT BRACKET WEAR PLATE	4
4	SA0378	M16X1.5X160MM _10.9 GR BOLT	8
5	SA0379	PIPE SPACER OD25XID20X84	8
6	SA0380	SPRING WASHER M16	8
7	SA0381	M16X1.5 _10.9 GR NUT	8
8	SA0382	TORQUE ARM POLY BUSH PIN FOR FRONT HANGER & SPRING SEAT	6
9	SA0076	TORQUE ARM POLY BUSH FOR HANGER & SPRING SEAT	12
10	SA0383	TORQUE ARM POLY BUSH PIN WASHER_OD60XID25X3	8
11	SA0384	TORQUE ARM POLY BUSH PIN NYLOCK NUT M24 X 3	8
12	SA0062	MIDDLE HANGER BRACKET ASSEMBLY	2
13	SA0086	EQUALISER WEAR PAD LOOSE	4
14	SA0092	EQUALIZER WEAR PLATE ASSEMBLY	8
15	SA0385	GREASE NIPPLE M10X1.5	2
16	SA0386	EQUALIZER PIN M40X3.5x275mm	2
17	SA0387	EQUALIZER METTALON BUSH_OD67XID62X116mm	2
18	SA0388	EQUALIZER PIN PLATE	2
19	SA0389	EQUALIZER PIN NYLOCK NUT_M40X3.5	2
20	SA0390	COTTER PIN DIA-8MM	2
21	SA0391	TORQUE ARM POLY BUSH PIN FOR MIDDLE HANGER	2
22	SA0077	TORQUE ARM POLY BUSH FOR MIDDLE HANGER	4
23	SA0064	REAR HANGER BRACKET ASSEMBLY	2
24	SA0088	REAR HANGER WEAR PAD LOOSE	2
25	SA0093	REAR BRACKET WEAR PLATE	4
26	SA0080	LEAF SPRING ASSEMBLY 80X16MM X 10 LEAF_AK 01000340000	4
27	SA0148	LEAF SPRING ASSEMBLY 80X16MM X 10 LEAF_SH	4
28	SA0065	SPRING SEAT BRACKET ASSEMBLY	4

Genuine SPARES LIST – MS18 T 80X16



SR. NO.	SERVICE PART NUMBER	DESCRIPTION	QTY / NOS
29	SA0066	LEAF SPRING TOP BRACKET ASSEMBLY	4
30	SA0392	U BOLT M24X2	8
31	SA0393	WASHER	16
32	SA0394	M24X2 HEXAGON NUT	32
33	SA0198	FIXED SMALL TORQUE ARM ASSEMBLY_380MM	1
34	SA0395	ADJUSTABLE TORQUE ARM CAST LH PART	1
35	SA0396	ADJUSTABLE TORQUE ARM CAST RH PART	1
36	SA0397	ADJUSTABLE TORQUE ARM SMALL ROD	1
37	SA0398	ADJUSTABLE TORQUE ARM BOLT LOCKING PLATE	4
38	SA0399	ADJUSTABLE TORQUE ARM BOLT ALIGNMENT PLATE 2	1
39	SA0400	ADJUSTABLE TORQUE ARM BOLT ALIGNMENT PLATE 1	2
40	SA0401	ADJUSTABLE TORQUE ARM BOLT M12X1.5	4
41	SA0402	ADJUSTABLE TORQUE ARM NUT (NYLOCK)M12	4
42	SA0195	ADJUSTABLE SMALL TORQUE ARM ASSEMBLY_380MM	1
43	SA0063	EQUALIZER BRACKET ASSEMBLY	2
44	SA0197	ADJUSTABLE BIG TORQUE ARM ASSEMBLY_600MM_1540MM	1
45	SA0199	FIXED BIG TORQUE ARM ASSEMBLY_600MM	1
46	SA0403	ADJUSTABLE TORQUE ARM BIG ROD	1
47	SA0404	ADJUSTABLE BIG TORQUE ARM BOLT ALIGNMENT PLATE 1	1
48	SA0100	EQUALIZER BRACKET ASSEMBLY -1360	2
49	SA0072	ADJUSTABLE BIG TORQUE ARM ASSEMBLY_512MM_1360MM	1
50	SA0075	FIXED BIG TORQUE ARM ASSEMBLY_512MM	1
51	SA0405	ADJUSTABLE TORQUE ARM BIG ROD _512MM	1
52	SA0406	ADJUSTABLE BIG TORQUE ARM BOLT ALIGNMENT PLATE 1_512MM	1

Dealer Network



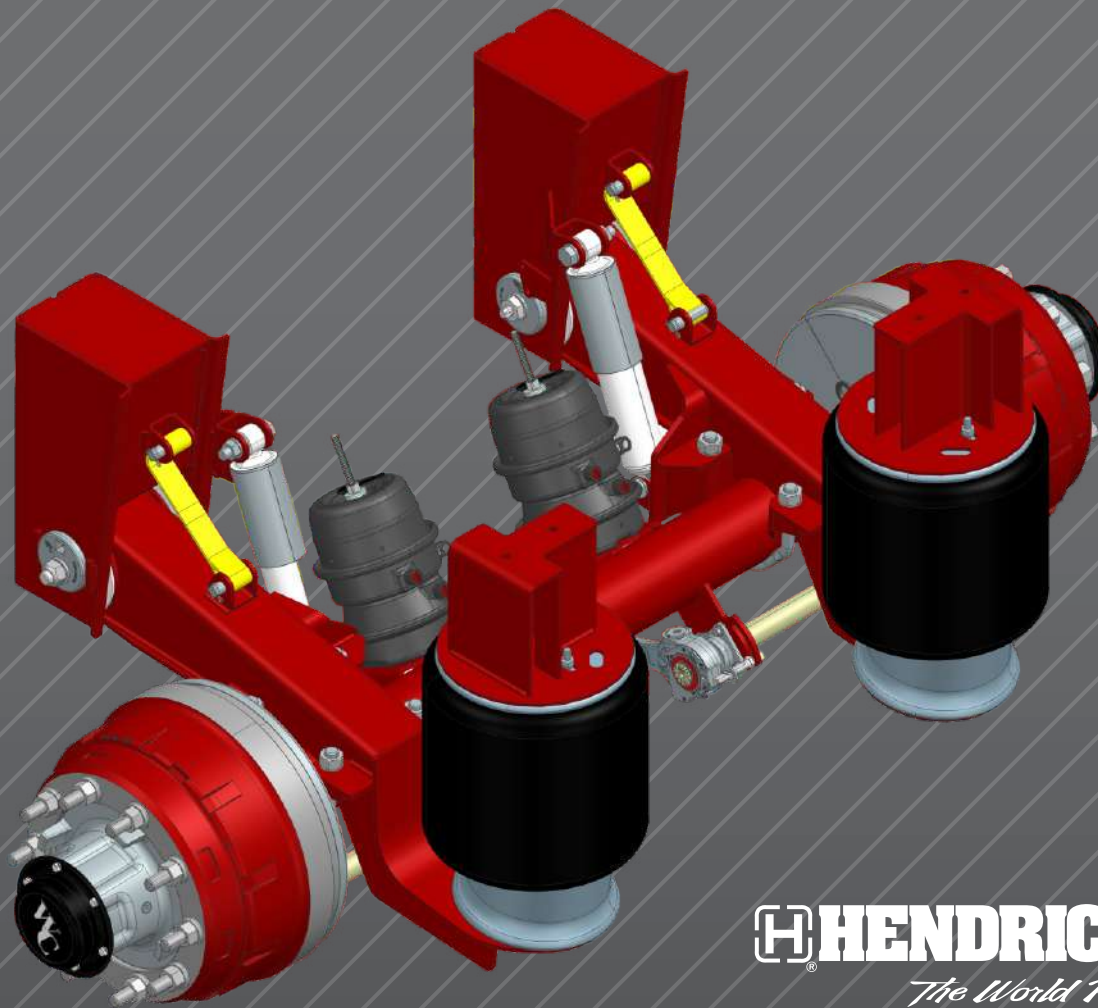
SR. NO.	DEALER NAME	DEALER TYPE	LOCATION	STATE	CONTACT DETAILS
1	Anjani Enterprises	Retailer	Bilaspur	Chhattisgarh	9685205883
2	Shradha Sales and Services	Distributor	Raipur	Chhattisgarh	8718965555
3	Prabhasu	Retailer	Gorakhpur	Uttar Pradesh	8077754096
4	ADHINAYAK AUTOMOBILES	Retailer	Prayagraj	Uttar Pradesh	7258945204
5	M N Auto Parts	Retailer	Satna	Madhya Pradesh	9074520975
6	ADHINAYAK AUTOMOBILES	Retailer	Shankargarh	Madhya Pradesh	7259845204
7	Modern Motors	Distributor	Indore	Madhya Pradesh	7314241092/ 9826080470
8	Maa Sharda Motors	Retailer	Amanganj	Madhya Pradesh	8770730163
9	RM Automotive	Retailer	Jamshedpur	Jharkhand	9031707080
10	Sujal Auto Parts	Retailer	Sundergarh	Odisha	9438245167
11	Adwait Automobiles	Retailer	Durgapur	West Bengal	9800886467
12	Shiv Auto Parts	Retailer	Sayla	Gujarat	7567417358/7405943888
13	Siddheshwar Traders	Dealer	Gandhidham	Gujarat	9737794530
14	Parekh & Sons	Retailer	Surat	Gujarat	9426144480, 8141366430
15	PSP Automotive	Retailer	Kalamboli	Maharashtra	9136040583 / 9004840583
16	Sadguru Enterprises	Retailer	Kalamboli	Maharashtra	9820541480
17	Goyal Motors	Retailer	Bhandara	Maharashtra	9890388556
18	Prajwal Automobiles	Distributor	Nagpur, Chandrapur	Maharashtra	9881385879
19	Panchal Engineering	Retailer	Palwal	Haryana	98133 37963
20	Jain Oil	Retailer	Chittorgarh	Rajasthan	9413315920
21	Adarsh Automobiles	Retailer	Kotputli	Rajasthan	9460062121
22	Jai Shanker Truck Wheel	Retailer	Jaipur	Rajasthan	9694970849



Service Strength



SR. NO.	CURRENT POSITION	STATE	LOCATION	COUNTRY
1	Service Engineer	Jharkhand	Jamshedpur	India
2	Service Engineer	Chhattisgarh	Bilaspur	India
3	Service Engineer	Rajasthan	Jaipur	India
4	Service Engineer	Uttar Pradesh	Gorakhpur	India
5	Service Engineer	Gujrat	Vadodara	India
6	Service Engineer	Odisha	Jajpur	India
7	Service Technician	Jharkhand	Jamshedpur	India
8	Service Technician	Odisha	Bokaro Steel City	India
9	Service Technician	West Bengal	Durgapur	India
10	Service Technician	Madhya pradesh	Satna	India
11	Service Technician	Madhya pradesh	Satna	India
12	Service Technician	Madhya pradesh	Bhopal	India
13	Service Technician	Madhya pradesh	Julwania	India
14	Service Technician	Uttar Pradesh	Shankargarh	India
15	Service Technician	Rajasthan	Kotputli	India
16	Service Technician	Rajasthan	Jaipur	India
17	Service Technician	Maharashtra	Nagpur	India
18	Service Technician	Maharashtra	Navi Mumbai	India
19	Service Technician	Maharashtra	Pune	India
20	Service Technician	Gujrat	Surat	India
21	Service Technician	Odisha	Jharsuguda	India
22	Service Technician	Chhattisgarh	Raipur	India
23	Service Technician	Haryana	Hisar	India



HENDRICKSON **W&C**
The World Rides On Us™

Hendrickson Commercial Vehicle Systems (India)

Incorporated as Watson & Chalin India Pvt. Ltd.

Plot No 3, 4 & 5 , Gat 679/2, Alandi Chakan Road, Kuruli,
Chakan, Taluka Khed Pune 410501

For Spare Parts Sales Enquiry Contact :

+91- 8380056379 Tel. +91-2135-662609

Email: indiasales@hendrickson-intl.com

For Service Enquiry :

+91- 8380066239 Tel. +91-2135-662667

Website: <https://www.hendrickson-intl.com/>

