

H PARTS LIST

PRIMAAX® EX • PRIMAAX® Rear Air Suspension for International Truck Vehicles

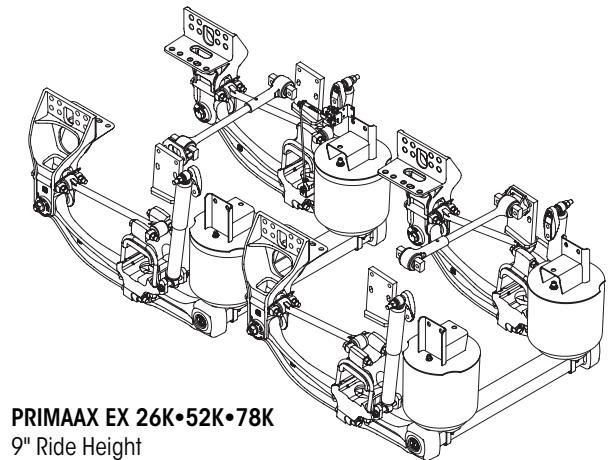
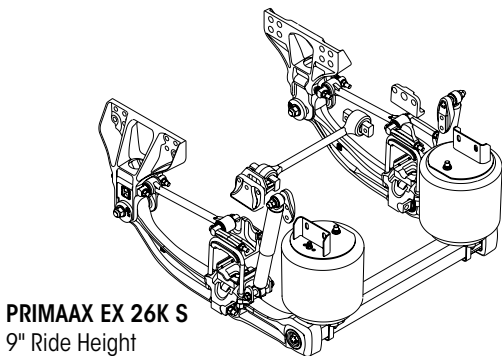
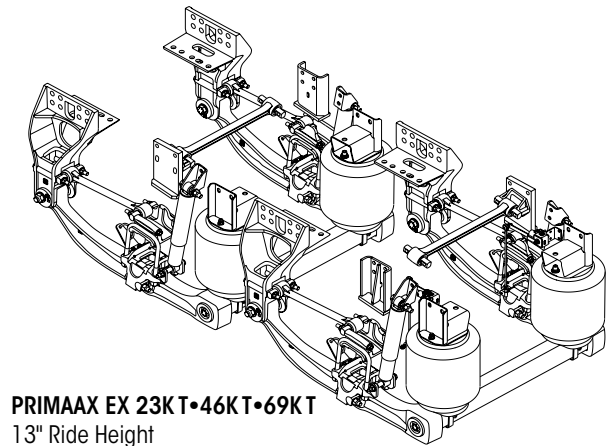
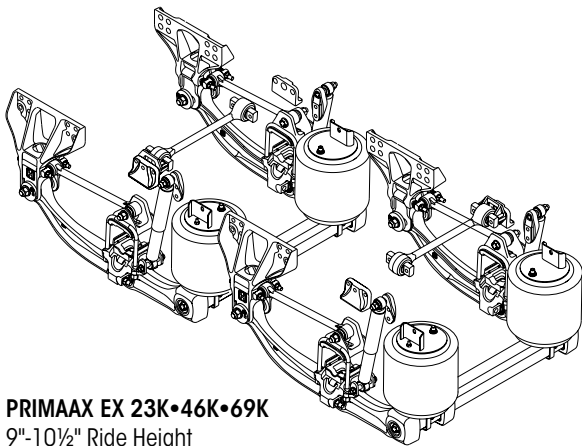
LIT NO: SP-233

DATE: May 2024

REVISION: E

CONTENTS

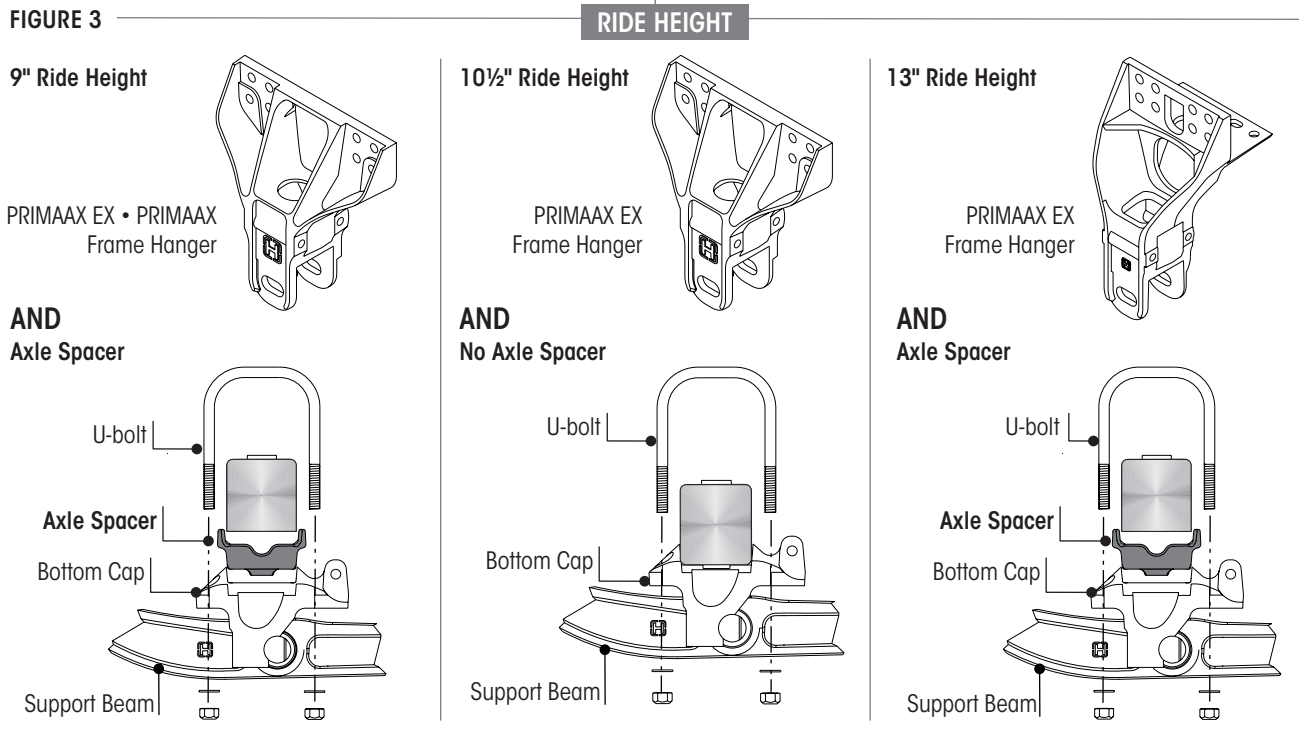
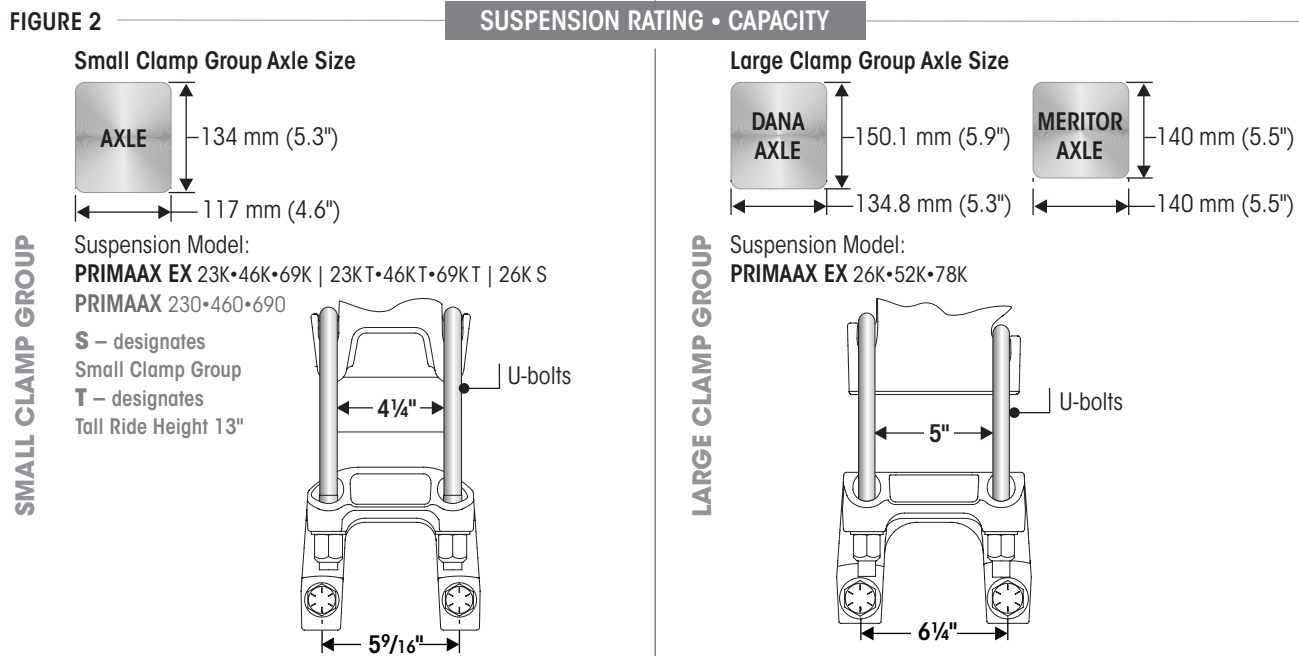
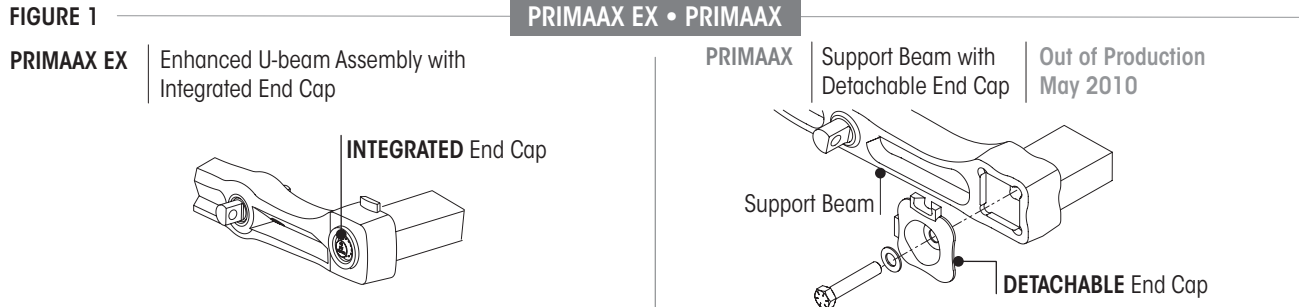
DESCRIPTION	PAGE	DESCRIPTION	PAGE
Technical Notes	2	Severe Service Kits	3
PARTS LISTS		Notes	3
■ PRIMAAX EX 23K • 46K • 69K 26K S	8	SELECTION GUIDES	
■ PRIMAAX EX 23K T • 46K T • 69K T	10	■ Small Clamp Group	4-7
■ PRIMAAX EX 26K • 52K • 78K	16	■ Large Clamp Group	12-15
■ PRIMAAX 230 • 460 • 690	18	Special Tools	20





■ Technical Notes

The following information (Figure 1 through 3) is intended to assist in determining which suspension is equipped on the vehicle. As an example, Figure 2 identifies the suspension rating and capacity.

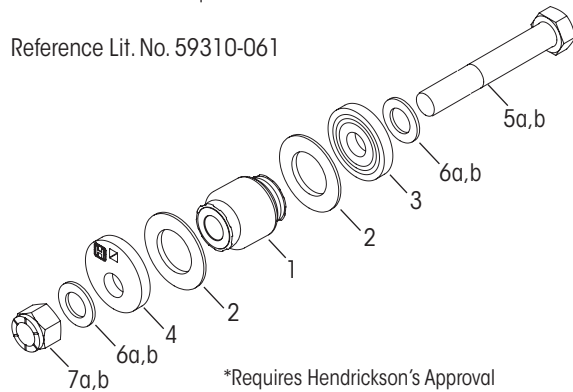




■ Severe Service Kits

Severe Service Kit | QUIK-ALIGN Pivot Bushing, Axle Set
No. 60632-043 | 1" Fasteners
No. 60632-033 | *1 1/4" Fasteners

Reference Lit. No. 59310-061



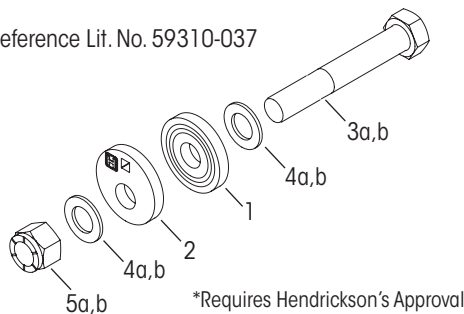
PRIMAAX EX • PRIMAAX Service Kit Nos.

60632-043 – 1" Fasteners, Includes Key Nos. 1-4, 5a-7a, 8
60632-033 – 1 1/4" Fasteners (Requires Hendrickson Approval)
Includes Key Nos. 1-4, 5b-7b, 8

KEY NO.	CONTENTS	KIT QTY.
1	QUIK-ALIGN Pivot Bushing	2
2	Confinement Washer	4
3	QUIK-ALIGN Concentric Collar	2
4	QUIK-ALIGN Eccentric Collar	2
5 a	1"-14 UNF x 7 1/2" Bolt	2
b	1 1/4"-12 UNF x 8" Bolt	2
6 a	1" Hardened Washer	4
b	1 1/4" Hardened Washer	4
7 a	1"-14 UNF Nylocknut	2
b	1 1/4"-12 UNF Nylocknut	2
8	P-80 Bushing Lubricant - 10 ml. (per Bushing 1)	2

Severe Service Kit | QUIK-ALIGN Collar, Axle Set
No. 60632-021 | 1" Fasteners
No. 60632-015 | *1 1/4" Fasteners

Reference Lit. No. 59310-037



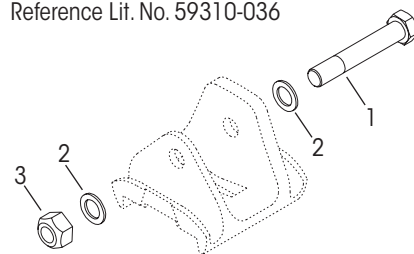
PRIMAAX EX • PRIMAAX Service Kits

60632-021 – 1" Fasteners, Includes Key Nos. 1-2, 3a-5a
60632-015 – 1 1/4" Fasteners, Includes Key Nos. 1-2, 3b-5b

KEY NO.	CONTENTS	KIT QTY.
1	QUIK-ALIGN Concentric Collar	2
2	QUIK-ALIGN Eccentric Collar	2
3 a	1"-14 UNF x 7 1/2" Bolt	2
b	1 1/4"-12 UNF x 8" Bolt	2
4 a	1" Hardened Washer	4
b	1 1/4" Hardened Washer	4
5 a	1"-14 UNF Nylocknut	2
b	1 1/4"-12 UNF Nylocknut	2

Severe Service Kit | Top Pad Fasteners
No. 58821-026 | Axle Set

Reference Lit. No. 59310-036



PRIMAAX 230 • 460 • 690 | 230T • 460T • 690T

8 1/2"-10 1/2"-12 1/2"-14 3/8"-15 1/2" Ride Height, Does Not Include Top Pad

Service Kit 58821-026

KEY NO.	CONTENTS	KIT QTY.
1	M24 x 3-6G Hendrickson Coated Hex Bolt	2
2	M24 Hardened Washer	4
3	M24 x 3-6H Locknuts	2

NOTES: Quantities specified are shown for a tandem suspension. Adjust quantities for single or tridem suspensions. Quantities of service kit components may vary from amount shown in lists.

* Item included in assembly / kit only, part not sold separately.

** Transverse rods are mandatory for the PRIMAAX EX • PRIMAAX suspensions regardless of axle spacing, see Literature No. 59310-004 and 59310-058 for more information. TRAAX ROD bushings are non-serviceable, the entire torque rod assembly requires replacement. Visit TRAAX ROD website www.traaxrods.com for more information.

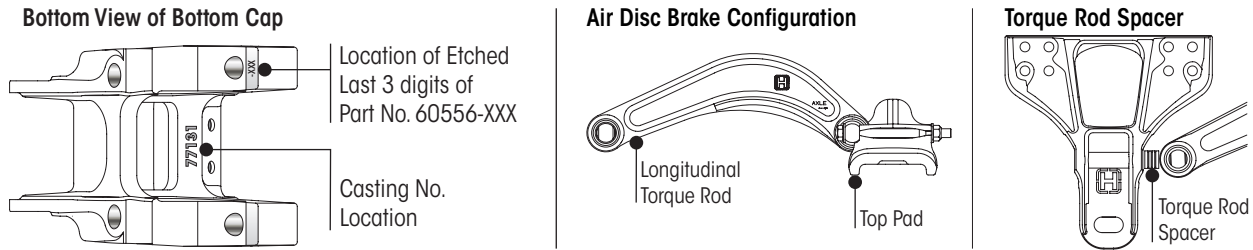
** S-cam is not required for disc brakes.

*** Alternate configuration of the QUIK-ALIGN fasteners. The locknuts located inboard will allow additional clearance for wider tires or tires with chains. Tightening is still required ONLY on the locknut.

**** No longer available for service, see Replacement Guide on Page 19. For more information, refer to Hendrickson Technical Bulletin Literature No. SEU-0229 or contact Hendrickson Tech Services.



■ Bottom Cap, Longitudinal Torque Rod and Torque Rod Spacer | Small Clamp Group



AIR DISC BRAKES

FORWARD REAR

Pinion Angle	Bottom Cap Part No.	Torque Rod Spacer		Pinion Angle	Bottom Cap Part No.	Torque Rod Spacer		Pinion Angle	Bottom Cap Part No.	Torque Rod Spacer	
		Length in mm	Part No.			Length in mm	Part No.			Length in mm	Part No.
*Longitudinal Torque Rod Part No. 67219-435											
0.38	60556-025	0	—	3.86	060556-030	0	—	3.09	060556-055	0	—
1.47		6.35	67045-072	4.92		6.35	67045-072	4.18		6.35	67045-072
2.55		12.7	67045-071	5.97		12.7	67045-071	5.26		12.7	67045-071
3.63		19.05	67045-070	7.02		19.05	67045-070	6.33		19.05	67045-070
4.7		25.4	67045-069	8.05		25.4	67045-069	7.4		25.4	67045-069
3.3	60556-025	0	—	1.29	60556-035	0	—	5.98	060556-055	0	—
4.36		6.35	67045-072	2.38		6.35	67045-072	7.04		6.35	67045-072
5.42		12.7	67045-071	3.46		12.7	67045-071	8.09		12.7	67045-071
6.46		19.05	67045-070	4.54		19.05	67045-070	9.13		19.05	67045-070
7.5		25.4	67045-069	5.6		25.4	67045-069	10.17		25.4	67045-069
0.94	060556-030	0	—	4.2	60556-035	0	—				
2.03		6.35	67045-072	5.26		6.35	67045-072				
3.11		12.7	67045-071	6.32		12.7	67045-071				
4.19		19.05	67045-070	7.36		19.05	67045-070				
5.25		25.4	67045-069	8.4		25.4	67045-069				

REAR REAR

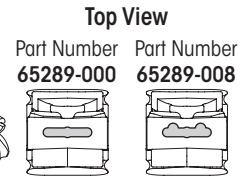
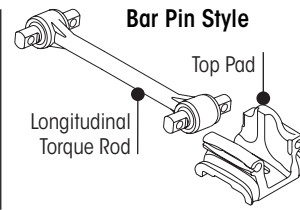
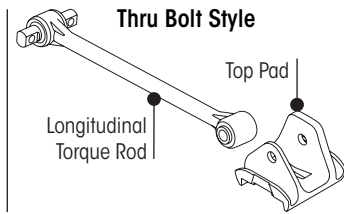
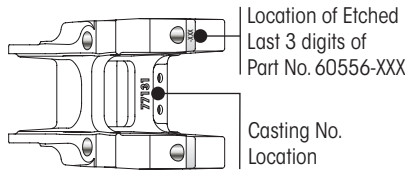
Pinion Angle			Bottom Cap Part No.	Torque Rod Spacer		Pinion Angle			Bottom Cap Part No.	Torque Rod Spacer	
55" Spread	60" Spread	72" Spread		Length in mm	Part No.	55" Spread	60" Spread	72" Spread		Length in mm	Part No.
*Longitudinal Torque Rod Part No. 67219-475											
11.26	11.38	11.68	60556-100	0	—	12.15	12.28	12.58	60556-110	0	—
12.28	12.4	12.7		6.35	67045-072	13.17	13.3	13.6		6.35	67045-072
13.29	13.42	13.72		12.7	67045-071	14.19	14.31	14.61		12.7	67045-071
14.3	14.43	14.73		19.05	67045-070	15.2	15.32	15.62		19.05	67045-070
15.31	15.43	15.73		25.4	67045-069	16.2	16.33	16.63		25.4	67045-069
11.7	11.83	12.13	60556-105	0	—	13.96	14.08	14.39	060556-055	0	—
12.73	12.85	13.15		6.35	67045-072	14.97	15.1	15.4		6.35	67045-072
13.74	13.87	14.16		12.7	67045-071	15.98	16.11	16.41		12.7	67045-071
14.75	14.88	15.17		19.05	67045-070	16.99	17.11	17.41		19.05	67045-070
15.76	15.88	16.18		25.4	67045-069	17.98	18.11	18.41		25.4	67045-069

* Non-serviceable torque rod bushings, requires replacement of complete torque rod assembly with bushings.



■ Bottom Cap, Longitudinal Torque Rod and Torque Rod Spacer | Small Clamp Group

Bottom View of Bottom Cap



Page 8
Page 10
Page 18

PRIMAAX EX 23K • 46K • 69K | 26K S ■ 9" • 10½" Ride Height
PRIMAAX EX 23KT • 46KT • 69KT ■ 13" Ride Height
PRIMAAX 0230 • 460 • 6900 ■ 9" • 10½" Ride Height

DRUM BRAKES

FORWARD REAR

Pinion Angle	Bottom Cap Part No.	Pinion Angle	Bottom Cap Part No.	Pinion Angle	Bottom Cap Part No.	Pinion Angle	Bottom Cap Part No.	Torque Rod Spacer	
								Length in mm	Part No.
*Thru Bolt Style Longitudinal Torque Rod Part No. 67274-510									
2.21	60556-025	2.76	60556-030	3.1	60556-035	4.87	60556-055	0	—
3.26		3.82		4.16		5.94		6.35	67045-072
4.32		4.87		5.22		7		12.7	67045-071
5.37		5.93		6.27		8.06		19.05	67045-070
6.42		6.98		7.32		9.12		25.4	67045-069
*Thru Bolt Style Longitudinal Torque Rod Part No. 67274-515									
3.04	60556-025	3.59	60556-030	3.94	60556-035	5.71	60556-055	0	—
4.1		4.65		4.99		6.78		6.35	67045-072
5.15		5.7		6.05		7.84		12.7	67045-071
6.2		6.75		7.1		8.89		19.05	67045-070
7.25		7.8		8.15		9.95		25.4	67045-069

REAR REAR

Pinion Angle			Bottom Cap Part No.	Pinion Angle			Bottom Cap Part No.	Torque Rod Spacer	
55" Spread	60" Spread	72" Spread		55" Spread	60" Spread	72" Spread		Length in mm	Part No.
*Thru Bolt Style Longitudinal Torque Rod Part No. 67274-540									
8.56	8.68	8.98	60556-100	9.01	9.13	9.43	60556-105	0	—
9.6	9.72	10.02		10.05	10.17	10.47		6.35	67045-072
10.64	10.76	11.06		11.09	11.21	11.51		12.7	67045-071
11.67	11.8	12.09		12.13	12.25	12.55		19.05	67045-070
12.71	12.83	13.12		13.17	13.29	13.58		25.4	67045-069
9.45	9.58	9.88	60556-110	11.29	11.42	11.72	060556-055	0	—
10.5	10.62	10.92		12.34	12.47	12.77		6.35	67045-072
11.54	11.67	11.96		13.38	13.51	13.81		12.7	67045-071
12.58	12.71	13		14.43	14.55	14.85		19.05	67045-070
13.62	13.74	14.04		15.47	15.59	15.88		25.4	67045-069

* Non-serviceable torque rod bushings, requires replacement of complete torque rod assembly with bushings.



■ Bottom Cap, Longitudinal Torque Rod and Torque Rod Spacer Selection Guide | Small Clamp Group

Page 8 PRIMAAX EX 26K S ■ 9", 10½" Ride Heights

DRUM BRAKES

FORWARD REAR

Pinion Angle		Bottom Cap Part No.	Longitudinal Torque Rod Part No.*	Torque Rod Spacer		Pinion Angle		Bottom Cap Part No.	Longitudinal Torque Rod Part No.*	Torque Rod Spacer	
Ride Height 9"	10½"			Length in mm	Part No.	Ride Height 9"	10½"			Length in mm	Part No.
2.46	2	60556-025	62043-430N	0	—	3.37	3.04	60556-035	62043-430N	0	—
3.53	3.24			6.35	67045-072	4.43	4.28			6.35	67045-072
4.59	4.46			12.7	67045-071	5.49	5.5			12.7	67045-071
5.65	5.67			19.05	67045-070	6.55	6.7			19.05	67045-070
6.69	6.87			25.4	67045-069	7.59	7.9			25.4	67045-069
4.14	3.94	60556-025	62039-440N	0	—	5.05	4.98	60556-035	62039-440N	0	—
5.2	5.16			6.35	67045-072	6.1	6.19			6.35	67045-072
6.25	6.36			12.7	67045-071	7.15	7.39			12.7	67045-071
7.29	7.56			19.05	67045-070	8.19	8.58			19.05	67045-070
8.33	8.74			25.4	67045-069	9.22	9.76			25.4	67045-069
3.02	2.64	60556-030	62043-430N	0	—	5.15	5.1	60556-055	62043-430N	0	—
4.09	3.88			6.35	67045-072	6.21	6.33			6.35	67045-072
5.15	5.1			12.7	67045-071	7.27	7.54			12.7	67045-071
6.2	6.3			19.05	67045-070	8.32	8.74			19.05	67045-070
7.24	7.5			25.4	67045-069	9.36	9.93			25.4	67045-069
4.7	4.58	60556-030	62039-440N	0	—	6.83	7.02	60556-055	62039-440N	0	—
5.75	5.79			6.35	67045-072	7.88	8.23			6.35	67045-072
6.8	6.99			12.7	67045-071	8.92	9.42			12.7	67045-071
7.84	8.18			19.05	67045-070	9.96	10.61			19.05	67045-070
8.87	9.37			25.4	67045-069	10.99	11.78			25.4	67045-069

* Non-serviceable torque rod bushings, requires replacement of complete torque rod assembly with bushings.



■ Bottom Cap, Longitudinal Torque Rod and Torque Rod Spacer Selection Guide | Small Clamp Group

Page 8

PRIMAAX EX 26K S ■ 9", 10½" Ride Heights

DRUM BRAKES

REAR REAR

Pinion Angle				Longitudinal Torque Rod Part No.*	Torque Rod Spacer		Pinion Angle				Longitudinal Torque Rod Part No.*	Torque Rod Spacer	
Ride Height 9"		Ride Height 10½"			Lgth in mm	Part No.	Ride Height 9"		Ride Height 10½"			Lgth in mm	Part No.
55" Spread		60" Spread					55" Spread		60" Spread				
Bottom Cap Part No. 60556-100						Bottom Cap Part No. 60556-110							
5.51	5.15	5.64	5.25	62039-440N	0	—	6.41	6.18	6.53	6.29	62039-440N	0	—
6.57	6.37	6.7	6.48		6.35	67045-072	7.47	7.4	7.59	7.51		6.35	67045-072
7.62	7.58	7.75	7.69		12.7	67045-071	8.52	8.61	8.64	8.72		12.7	67045-071
8.67	8.78	8.79	8.89		19.05	67045-070	9.56	9.81	9.69	9.92		19.05	67045-070
9.7	9.97	9.83	10.08		25.4	67045-069	10.6	11	10.73	11.11		25.4	67045-069
11.26	11.74	11.39	11.85	62040-475N	0	—	12.15	12.76	12.28	12.87	62040-475N	0	—
12.28	12.9	12.41	13.01		6.35	67045-072	13.17	13.41	13.3	13.52		6.35	67045-072
13.3	14.06	13.42	14.17		12.7	67045-071	14.19	14.57	14.32	14.68		12.7	67045-071
14.31	15.21	14.43	15.32		19.05	67045-070	15.2	15.72	15.33	15.83		19.05	67045-070
15.31	16.36	15.44	16.47		25.4	67045-069	16.21	16.86	16.33	16.97		25.4	67045-069
13.66	14.48	13.79	14.59	62040-490N	0	—	14.56	14.99	14.68	15.1	62040-490N	0	—
14.67	15.63	14.8	15.74		6.35	67045-072	15.56	16.14	15.69	16.25		6.35	67045-072
15.68	16.77	15.8	16.88		12.7	67045-071	16.57	17.28	16.69	17.39		12.7	67045-071
16.68	17.91	16.8	18.02		19.05	67045-070	17.57	18.42	17.69	18.53		19.05	67045-070
17.67	19.04	17.8	19.15		25.4	67045-069	18.57	19.55	18.69	19.66		25.4	67045-069
Bottom Cap Part No. 60556-105						Bottom Cap Part No. 60556-055							
5.96	5.66	6.09	5.77	62039-440N	0	—	8.25	8.3	8.38	8.41	62039-440N	0	—
7.02	6.89	7.15	7		6.35	67045-072	9.3	9.51	9.43	9.62		6.35	67045-072
8.07	8.1	8.2	8.21		12.7	67045-071	10.35	10.71	10.48	10.82		12.7	67045-071
9.12	9.3	9.24	9.41		19.05	67045-070	11.39	11.89	11.51	12		19.05	67045-070
10.15	10.49	10.28	10.6		25.4	67045-069	12.42	13.07	12.54	13.18		25.4	67045-069
11.71	12.25	11.83	12.36	62040-475N	0	—	13.96	14.81	14.09	14.92	62040-475N	0	—
12.73	13.41	12.85	13.53		6.35	67045-072	14.97	15.97	15.1	16.08		6.35	67045-072
13.74	14.57	13.87	14.68		12.7	67045-071	15.98	17.11	16.11	17.22		12.7	67045-071
14.75	15.72	14.88	15.83		19.05	67045-070	16.99	18.25	17.11	18.36		19.05	67045-070
15.76	16.86	15.88	16.98		25.4	67045-069	17.99	19.38	18.11	19.49		25.4	67045-069
14.11	14.99	14.24	15.1	62040-490N	0	—	16.35	17.53	16.47	17.64	62040-490N	0	—
15.12	16.14	15.24	16.25		6.35	67045-072	17.35	18.67	17.48	18.78		6.35	67045-072
16.12	17.28	16.25	17.39		12.7	67045-071	18.35	19.8	18.47	19.91		12.7	67045-071
17.12	18.42	17.25	18.53		19.05	67045-070	19.34	20.92	19.47	21.03		19.05	67045-070
18.12	19.55	18.24	19.66		25.4	67045-069	20.33	22.04	20.46	22.15		25.4	67045-069

* Non-serviceable torque rod bushings, requires replacement of complete torque rod assembly with bushings.



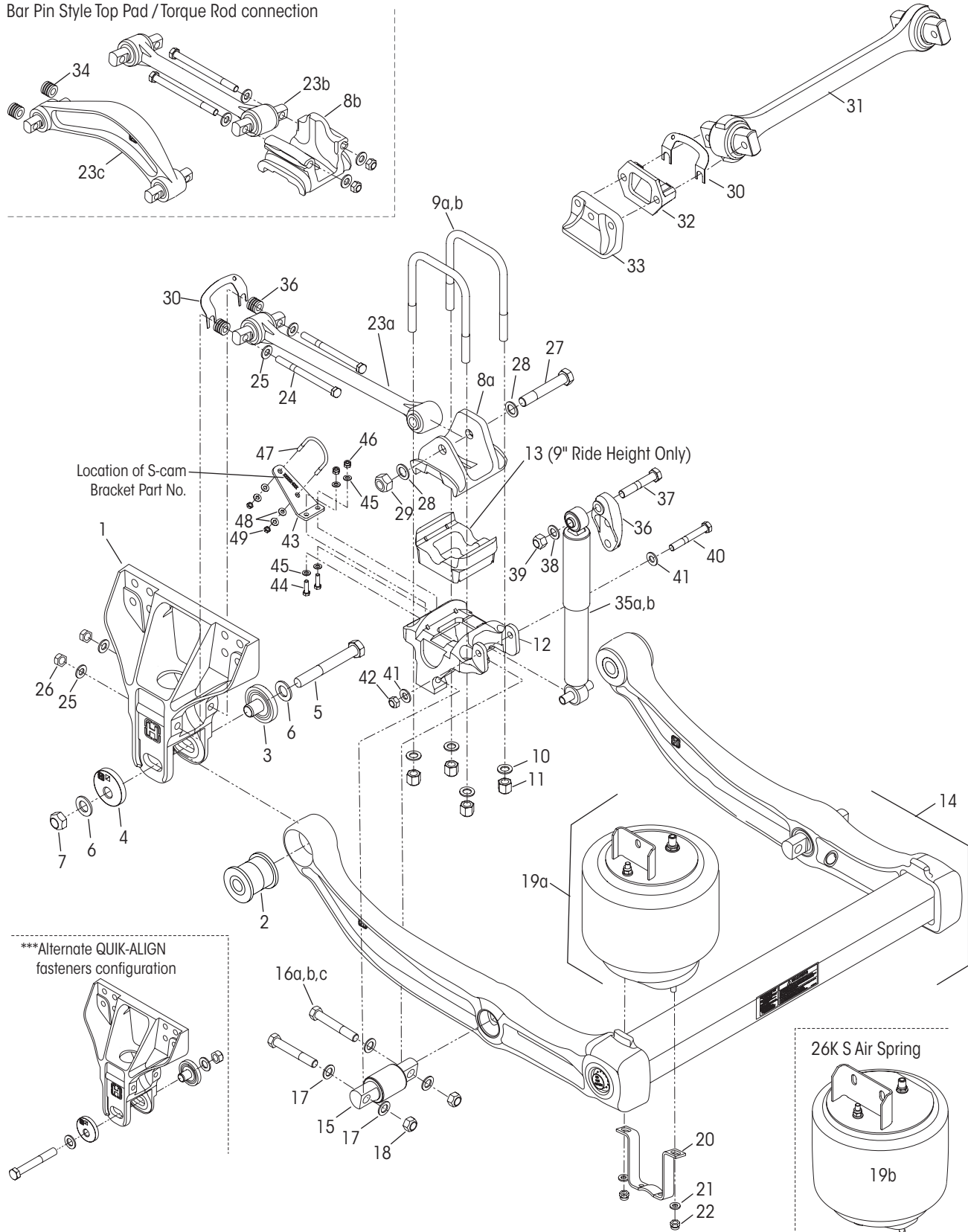
PRIMAAX EX 23K•46K•69K

9", 10½" Ride Height

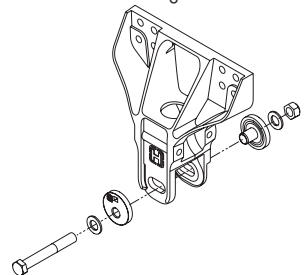
PRIMAAX EX 26K S

9" Ride Height (S – designates Small Clamp Group)

Bar Pin Style Top Pad / Torque Rod connection



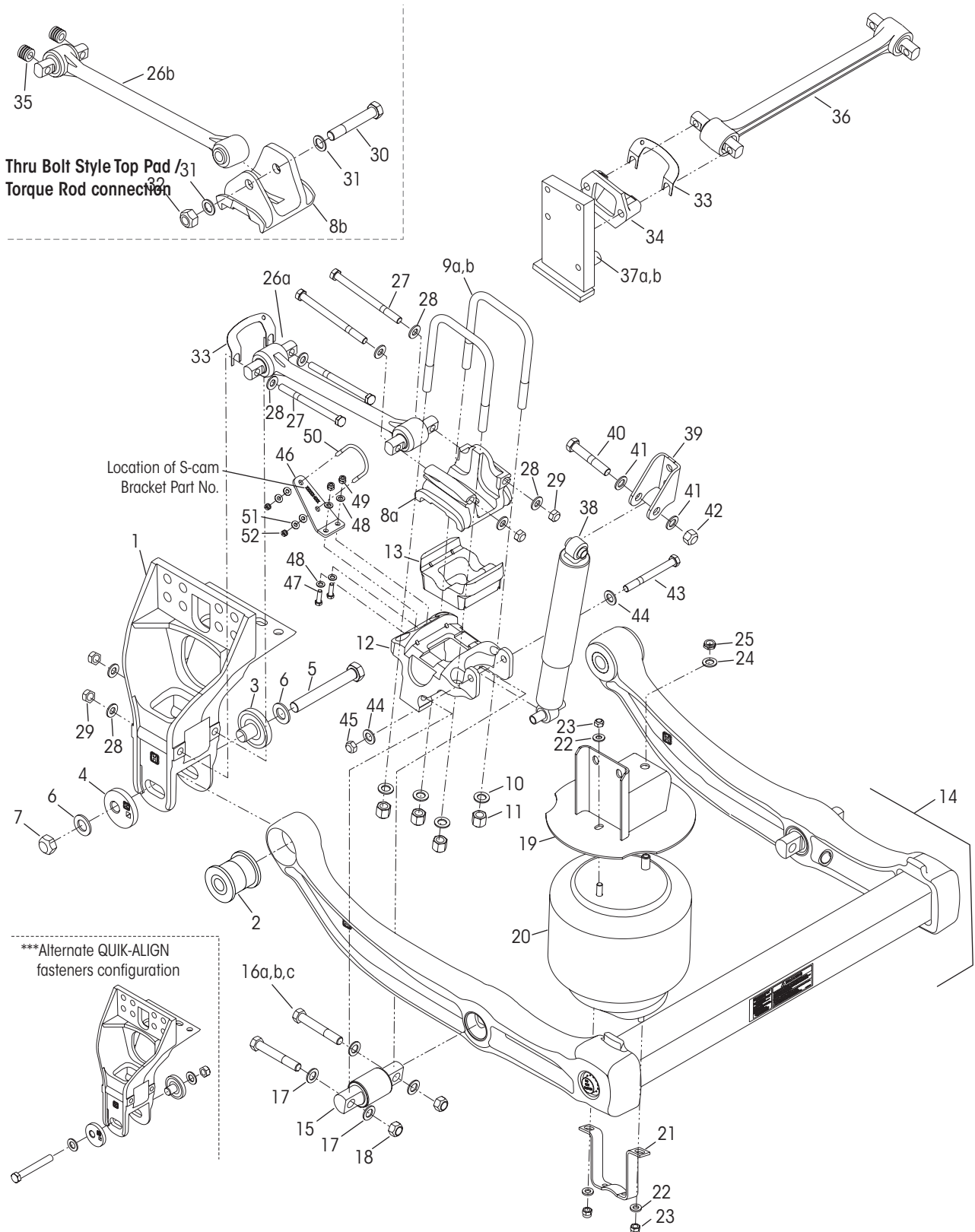
***Alternate QUIK-ALIGN fasteners configuration





PRIMAAX® EX 23K•46K•69K•26K S for International Truck Vehicles

VEHICLE				VEHICLE			
KEY NO.	PART NO.	DESCRIPTION	QTY.	KEY NO.	PART NO.	DESCRIPTION	QTY.
1	67706-000	Frame Hanger	4	19		Air Spring Assembly with Upper Frame Bracket	4
		QUIK-ALIGN® Pivot Bushing Service Kits, Includes Key Nos. 2-7, 50		a	67234-002L	23K•46K•69K	
	60961-720	One Wheel End		b	68056-002L	26K S	
	60632-020	Axle Set		20	60911-002	Lower Air Spring Mounting Bracket	4
		QUIK-ALIGN Collar Service Kit, Includes Key Nos. 3-7			49177-006	Lower Air Spring Fastener Service Kit, Single, Includes Key Nos. 21-22	
	60632-019	One Wheel End, <i>Replaces 60632-006</i>		21	22962-014	*1/2" Flat Washer	8
	60632-021	Axle Set		22	17700-010	*1/2"-13 UNC Locknut	8
	60632-018	QUIK-ALIGN Fastener Service Kit, One Wheel End, Includes Key Nos. 5-7, <i>Replaces 60632-005</i>		23		Longitudinal Torque Rod Assembly, <i>see Selection Guides on Pages 4 to 7</i>	4
2	70425-001	*Pivot Bushing	4	a	67274-XXX	Thru Bolt Style	
3	64633-000	*Concentric Collar	4	b	620XX-XXXN	Bar Pin Style, Specify Length	
4	64632-000	*Eccentric Collar	4	c	67219-XXX	Air Disc Brake	
5	68217-000	*1"-14 UNF x 7 1/2" Hendrickson Coated Hex Bolt	4			Single Longitudinal Torque Rod Fastener Kit Thru Bolt and Bar Pin Connection, Includes Key Nos. 24-29	
6	68232-000	*1" Hendrickson Coated Flat Washer	8		49176-026	2-Bar Pin Connections, Includes Key Nos. 24-26	
7	68218-000	*1"-14 UNF-2B Hendrickson Coated Locknut	4		58821-012	Rear Thru Bolt Connection Only, Includes Key Nos. 27-29	
8		Top Pad, <i>see Graphic on Page 5</i>	4	24	32043-016	*5/8"-11 UNC-2B x 8" Bolt	8
a	65290-001	Thru Bolt Style		25	22962-004	*5/8" Flat Washer	16
b	65289-000	Bar Pin Style		26	47764-000	*5/8"-11 UNC-2A Locknut	8
	65289-008	Bar Pin Style		27	30418-009	*7/8"-14 UNF-2A x 5 1/2" Hex Bolt	4
		U-bolt Service Kit, One Wheel End, Includes Kit No. 48718-501		28	22962-034	*7/8" Hendrickson Coated Flat Washer	8
	91430-040	Includes Key Nos. 9a		29	80796-009	*7/8"-14 UNF-2B Locknut	4
	91430-041	Includes Key Nos. 9b (Thru Bolt Style)		30	49689-000L	Shim	As Req.
	91430-048	Includes Key Nos. 9c (Bar Pin Style)		31	8240-0000-XXX	**TRAAX ROD®, Specify length in mm <i>Replaces 72000-XXXS</i>	
9		*3/4" Square U-bolt		32	22186-000	Transverse Torque Rod Frame Bracket	2
a	59367-002	8 7/8" Length - 10 1/2" Ride Height	8	33	60593-000L	Axle Stop, Frame Mounted	4
b	59367-004	10 3/8" Length - 9" Ride Height	8	34	67045-XXX	Torque Rod Spacer, <i>see Selection Guides on Pages 4 to 7</i>	
c	59367-014	10 3/8" Length - 9" Ride Height	8	35a	60657-003L	Shock Absorber	4
	48718-501	U-bolt Fasteners Service Kit, One Wheel End, Includes Key Nos. 10-11		b	70807-001L	Heavy-duty Shock Absorber, Optional	4
10	22962-001	*3/4" Flat Washer	16	c	60665-011L	Shock Absorber - 26K S	2
11	49685-000	*3/4"-16 UNF U-bolt Locknut	16	36	67463-002	Upper Shock Frame Bracket	4
12	60556-XXX	Bottom Cap - Front and Rear, <i>see Selection Guides on Pages 4 to 7</i>	4		50754-030	Single Shock Fastener Service Kit, Includes Key Nos. 37-42	
13	65139-003	Axle Spacer, 9" Ride Height Only	4	37	50764-010	*3/4"-10 UNC x 4 1/4" Upper Shock Bolt	4
14		U-beam Assembly, Includes Key Nos. 2, 15	2	38	22962-001	*3/4" Flat Washer	4
		• Front Frame Width		39	49842-000	*3/4"-10 UNC Locknut	4
	67249-012	34.3"		40	32043-017	*5/8"-11 UNC x 6" Lower Shock Bolt	4
	67249-010	34.5"		41	22962-004	*5/8" Flat Washer	8
	67249-024	34.8"		42	47764-000	*5/8"-11 UNC-2B Locknut	4
		• Rear Frame Width				NOTE Key Nos. 43-49 are not required if equipped with 23c and Air Disc Brake	
	67249-011	34.3"		43	64508-XXX	S-cam Support Bracket, <i>Locate part number on component</i>	4
	67249-009	34.5"			58821-017	S-cam Fastener Service Kit, Axle Set, Includes Key Nos. 44-49	
	67249-023	34.8"		44	58035-004	*3/8"-16 UNC x 1 1/4" Hex Bolt	8
		Single D-Pin Bushing Service Kit, Includes Key Nos. 15, 16a, 17-18		45	22962-015	*3/8" Hardened Washer	16
	34013-107	Includes Key Nos. 15, 16b, 17-18		46	17700-006	*3/8"-16 UNC Locknut	8
	34013-116	Includes Key Nos. 15, 16c, 17-18		47	64202-000	*5/16" S-cam U-bolt	4
	34013-117	Includes Key Nos. 15, 16c, 17-18		48	22962-029	*5/16" Hardened Washer	16
15	60383-000	*D-Pin Bushing	4	49	59016-000	*5/16"-18 UNC Locknut	8
		D-Pin Fastener Service Kit, Axle Set, Includes Key Nos. 16a, 17-18		50	70867-001	P-80 Lubricant - 10 ml (Not Shown) per Bushing 1	
	56659-009	Includes Key Nos. 16b, 17-18					
	56659-013	Includes Key Nos. 16c, 17-18					
	56659-012	Includes Key Nos. 16c, 17-18					
16		*3/4"-16 UNF Bolt	8				
a	21867-036	5" Length					
b	21867-026	5 1/2" Length					
c	21867-043	4 3/4" Length					
17	22962-001	*3/4" Flat Washer	16				
18	30191-000	*3/4"-16 UNF Locknut	8				
		Single Air Spring Service Kit, Includes Key Nos. 19a-22					
	60961-664	Includes Key Nos. 19b-22					
	60961-665	Includes Key Nos. 19b-22					





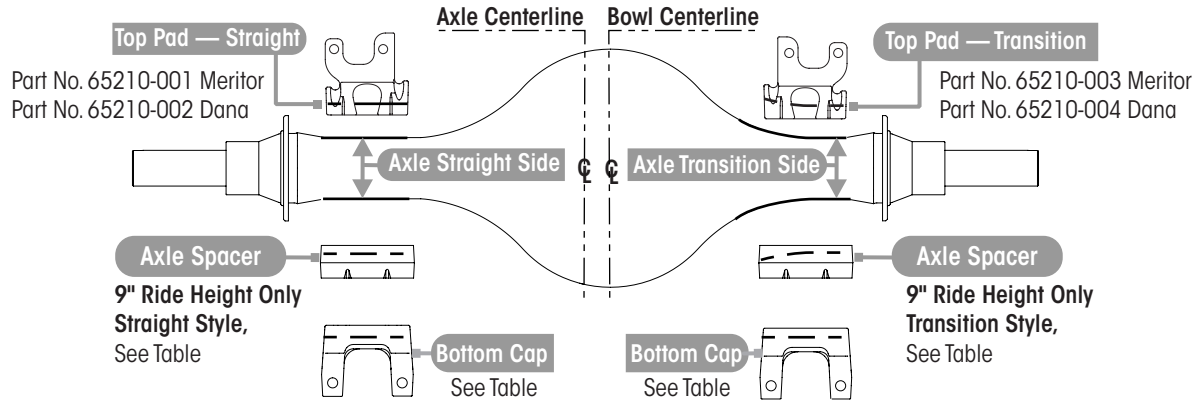
PRIMAAX® EX 23KT•46KT•69KT for International Truck Vehicles

			VEHICLE				VEHICLE
KEY NO.	PART NO.	DESCRIPTION	QTY.	KEY NO.	PART NO.	DESCRIPTION	QTY.
1		Frame Hanger					
	67299-001	Left Hand	2		67923-002	Air Spring Assembly, Includes Key Nos. 19-20, 22-25	4
	67299-002	Right Hand	2	19	65031-008	Upper Air Spring Bracket Assembly <i>Replaces 65031-001</i>	4
		QUIK-ALIGN® Pivot Bushing Service Kit, Includes Key Nos. 2-7, 53			60961-724	Single Air Spring Service Kit, Includes Key Nos. 20-25	
	60961-720	One Wheel End		20	68070-002L	Air Spring	4
	60632-020	Axle Set		21	60911-002	Lower Air Spring Mounting Bracket	4
	60632-019	QUIK-ALIGN Collar Service Kit, Includes Key Nos. 3-7 One Wheel End, <i>Replaces 60632-006</i>				Single Air Spring Fastener Service Kit, Lower, Includes Key Nos. 22-23	
	60632-021	Axle Set			49177-006	Upper/Lower, Includes Key Nos. 22-25	
	60632-018	QUIK-ALIGN Pivot Bolt Service Kit, One Wheel End, Includes Key Nos. 5-7, <i>Replaces 60632-005</i>		22	22962-014	*1/2" Flat Washer	12
2	70425-001	*Pivot Bushing	4	23	17700-010	*1/2"-13 UNC Locknut	12
3	64633-000	*Concentric Collar	4	24	22962-001	*3/4" Flat Washer	4
4	64632-000	*Eccentric Collar	4	25	17700-031	*3/4"-16 UNF Locknut	4
5	68217-000	*1"-14 UNF x 7 1/2" Hendrickson Coated Hex Bolt	4	26 a,b		Longitudinal Torque Rod Assembly, Includes Bushing. Specify length in mm, <i>see Selection Guides on Pages 4 to 7</i>	4
6	68232-000	*1" Hendrickson Coated Flat Washer	8			Single Longitudinal Torque Rod Fastener Kit Thru Bolt and Bar Pin Connection, Includes Key Nos. 27-32	
7	68218-000	*1"-14 UNF-2B Hendrickson Coated Locknut	4		49176-026	2-Bar Pin Connections, Includes Key Nos. 27-29 Rear Thru Bolt Connection Only, Includes Key Nos. 30-32	
8		Top Pad, <i>see Graphic on Page 5</i>	4		49176-032		
a	65289-000	Bar Pin Style			58821-012		
	65289-008	Bar Pin Style		27	32043-016	*5/8"-11 UNC-2B x 8" Bolt	16
b	65290-001	Thru Bolt Style		28	22962-004	*5/8" Flat Washer	32
		U-bolt Service Kit, One Wheel End, Includes Kit No. 48718-501		29	47764-000	*5/8"-11 UNC-2A Locknut	16
	91430-048	Includes Key Nos. 9a (Bar Pin Style)		30	30418-009	*7/8"-14 UNF-2A x 5 1/2" Hex Bolt	4
	91430-041	Includes Key Nos. 9b (Thru Bolt Style)		31	22962-034	*7/8" Hendrickson Coated Flat Washer	8
9		*3/4" Square U-bolt	8	32	80796-009	*7/8"-14 UNF-2B Locknut	4
a	59367-014	10 3/8" Length, Bar Pin Style		33	49689-000L	Shim	As Req.
b	59367-004	10 3/8" Length, Thru Bolt Style		34	22186-000	Transverse Torque Rod Frame Bracket	2
	48718-501	U-bolt Fasteners Service Kit, One Wheel End, Includes Key Nos. 10-11		35	67045-XXX	Torque Rod Spacer, <i>see Selection Guides on Pages 4 to 7</i>	
10	22962-001	*3/4" Flat Washer	16	36	62011-XXXN	**Transverse Torque Rod Assembly, Includes Key No. 37, Specify length in mm	2
11	49685-000	*3/4"-16 UNF U-bolt Locknut	16	37		Axle Stop, Frame Mounted	4
12	60556-XXX	Bottom Cap, <i>see Selection Guides on Pages 4 to 7</i>	4	a	65510-001	0° Axle Tower	
13	65139-003	Axle Spacer (required)	4	b	65510-002	20° Axle Tower	
14		U-beam Assembly, Includes Key Nos. 2, 15	2	38	60665-011	Shock Absorber	4
		• Front Frame Width		39	59423-001	Upper Shock Frame Bracket	4
	67249-012	34.3"			50754-030	Single Shock Fastener Service Kit, Includes Key Nos. 40-45	
	67249-010	34.5"		40	50764-010	*3/4"-10 UNC x 4 1/4" Upper Shock Bolt	4
	67249-024	34.8"		41	22962-001	*3/4" Flat Washer	8
		• Rear Frame Width		42	49842-000	*3/4"-10 UNC Locknut	4
	67249-011	34.3"		43	32043-017	*5/8"-11 UNC x 6" Lower Shock Bolt	4
	67249-009	34.5"		44	22962-004	*5/8" Flat Washer	8
	67249-023	34.8"		45	47764-000	*5/8"-11 UNC-2B Locknut	4
		Single D-Pin Bushing Service Kit, Includes Key Nos. 15, 16a, 17-18		46	64508-XXX	S-cam Support Bracket, <i>Locate part number on component</i>	4
	34013-107	Includes Key Nos. 15, 16b, 17-18			58821-017	S-cam Fastener Service Kit, Axle Set, Includes Key Nos. 47-52	
	34013-116	Includes Key Nos. 15, 16c, 17-18		47	58035-004	*3/8"-16 UNC x 1 1/4" Hex Bolt	8
	34013-117	Includes Key Nos. 15, 16c, 17-18		48	22962-015	*3/8" Hardened Washer	16
15	60383-000	*D-Pin Bushing	4	49	17700-006	*3/8"-16 UNC Locknut	8
		D-Pin Fastener Service Kit, Axle Set, Includes Key Nos. 16a, 17-18		50	64202-000	*5/16" S-cam U-bolt	4
	56659-009	Includes Key Nos. 16b, 17-18		51	22962-029	*5/16" Hardened Washer	16
	56659-013	Includes Key Nos. 16c, 17-18		52	59016-000	*5/16"-18 UNC Locknut	8
	56659-012	Includes Key Nos. 16c, 17-18		53	70867-001	P-80 Lubricant - 10 ml (Not Shown) per Bushing 1	
16		*3/4"-16 UNF Bolt	8				
a	21867-036	5" Length					
b	21867-026	5 1/2" Length					
c	21867-043	4 3/4" Length					
17	22962-001	*3/4" Flat Washer	16				
18	30191-000	*3/4"-16 UNF Locknut	8				



■ Bottom Cap • Axle Spacer • Top Pad Selection Guide

Page 16 PRIMAAX EX 26K • 52K • 78K ■ 9", 10½" Ride Heights | Large Clamp Group



Axle Manufacturer	Beam Centers	Bottom Cap Part Number				Axle Spacer Part Number			
		Straight Side		Transition Side		Straight Side		Transition Side	
		FRONT	REAR	FRONT	REAR	FRONT	REAR	FRONT	REAR
MERITOR	40.0"	65208-001	65208-003	65208-006	65208-009	65276-000		65277-000	
	40.5"					—		67973-004	
DANA	40.0"	65208-002	65208-004	65208-008	65208-011	65274-000		65275-000	
	40.5"					—		67973-002	



■ Bottom Cap, Top Pad, Longitudinal Torque Rod and Torque Rod Spacer Selection Guide

Page 16 PRIMAAX EX 26K • 52K • 78K ■ 9", 10½" Ride Heights | Large Clamp Group
See Graphic on Page 12

AIR DISC BRAKES – FORWARD REAR

DANA AXLE

Pinion Angle		Longitudinal Torque Rod Part No.		Torque Rod Spacer		Top Pad Part No.		Bottom Cap Part No.	
Ride Height		Left Hand	Right Hand	Length in mm	Part No.	Straight	Transition	Straight	Transition
9"	10½"								
1.3	1.51	65302-460A	65302-460B	0	—	65210-002	65210-004	*65208-102 **65208-002	*65208-108 **65208-008
2.16	2.46			6.35	67045-072				
3.02	3.41			12.7	67045-071				
3.88	4.36			19.05	67045-070				
4.73	5.3			25.4	67045-069				
2.68	3.05	65302-470A	65302-470B	0	—	65210-002	65210-004	*65208-102	*65208-108
3.53	4			6.35	67045-072				
4.39	4.95			12.7	67045-071				
5.24	5.89			19.05	67045-070				
6.09	6.83			25.4	67045-069				
4.05	4.55	65302-480A	65302-480B	0	—	65210-002	65210-004	*65208-102	*65208-108
4.9	5.5			6.35	67045-072				
5.75	6.44			12.7	67045-071				
6.6	7.37			19.05	67045-070				
7.45	8.31			25.4	67045-069				

MERITOR AXLE

1.27	1.38	65302-460A	65302-460B	0	—	65210-001	65210-003	*65208-101 **65208-001	*65208-106 **65208-006
2.16	2.36			6.35	67045-072				
3.04	3.34			12.7	67045-071				
3.92	4.32			19.05	67045-070				
4.79	5.29			25.4	67045-069				
2.68	2.94	65302-470A	65302-470B	0	—	65210-001	65210-003	*65208-101	*65208-106
3.56	3.91			6.35	67045-072				
4.44	4.89			12.7	67045-071				
5.32	5.86			19.05	67045-070				
6.19	6.82			25.4	67045-069				
4.09	4.48	65302-480A	65302-480B	0	—	65210-001	65210-003	*65208-101	*65208-106
4.97	5.46			6.35	67045-072				
5.84	6.42			12.7	67045-071				
6.71	7.39			19.05	67045-070				
7.58	8.35			25.4	67045-069				

NOTE: * Bottom caps with S-cam holes used for both the drum and/or air disc brakes.

** Bottom caps without S-cam holes used for air disc brakes only.



■ Bottom Cap, Top Pad, Longitudinal Torque Rod and Torque Rod Spacer Selection Guide

Page 16

PRIMAAX EX 26K • 52K • 78K ■ 9", 10½" Ride Heights | Large Clamp Group
See Graphic on Page 12 Rear Rear

AIR DISC BRAKES – REAR REAR

DANA AXLE

Pinion Angle				Torque Rod Spacer		Longitudinal Torque Rod Part No.	Top Pad Part No.		Bottom Cap Part No.	
Ride Height 9"		Ride Height 10½"		Length in mm	Part No.		Straight	Transition	Straight	Transition
55" Spread	60" Spread	55" Spread	60" Spread							
7.96	8.1	8.6	8.73	0	—					
8.81	8.95	9.55	9.68	6.35	67045-072	65302-495A (LH)	65210-002	65210-004	*65208-104 **65208-004	*65208-111 **65208-011
9.65	9.8	10.49	10.62	12.7	67045-071					
10.5	10.64	11.43	11.56	19.05	67045-070					
11.34	11.48	12.37	12.5	25.4	67045-069	65302-495B (RH)				
9.98	10.12	10.84	10.97	0	—					
10.82	10.96	11.78	11.91	6.35	67045-072	65302-510A (LH)	65210-002	65210-004	*65208-104 **65208-004	*65208-111 **65208-011
11.66	11.81	12.72	12.85	12.7	67045-071					
12.5	12.65	13.63	13.76	19.05	67045-070					
13.34	13.49	14.6	14.73	25.4	67045-069	65302-510B (RH)				
10.65	10.79	11.58	11.72	0	—					
11.49	11.63	12.52	12.66	6.35	67045-072	65302-515A (LH)	65210-002	65210-004	*65208-104 **65208-004	*65208-111 **65208-011
12.33	12.47	13.46	13.6	12.7	67045-071					
13.17	13.31	14.4	14.53	19.05	67045-070					
14.01	14.15	15.34	15.47	25.4	67045-069	65302-515B (RH)				
11.32	11.46	12.33	12.46	0	—					
12.16	12.3	13.27	13.4	6.35	67045-072	65302-520A (LH)	65210-002	65210-004	*65208-104 **65208-004	*65208-111 **65208-011
13	13.14	14.2	14.34	12.7	67045-071					
13.84	13.98	15.14	15.27	19.05	67045-070					
14.68	14.82	16.07	16.21	25.4	67045-069	65302-520B (RH)				
11.99	12.13	13.07	13.2	0	—					
12.83	12.97	14.01	14.14	6.35	67045-072	65302-525A (LH)	65210-002	65210-004	*65208-104 **65208-004	*65208-111 **65208-011
13.67	13.81	14.94	15.08	12.7	67045-071					
14.51	14.65	15.88	16.01	19.05	67045-070					
15.34	15.49	16.81	16.95	25.4	67045-069	65302-525B (RH)				

NOTE: * Bottom caps with S-cam holes used for both the drum and/or air disc brakes.
** Bottom caps without S-cam holes used for air disc brakes only.



■ Bottom Cap, Top Pad, Longitudinal Torque Rod and Torque Rod Spacer Selection Guide

Page 16

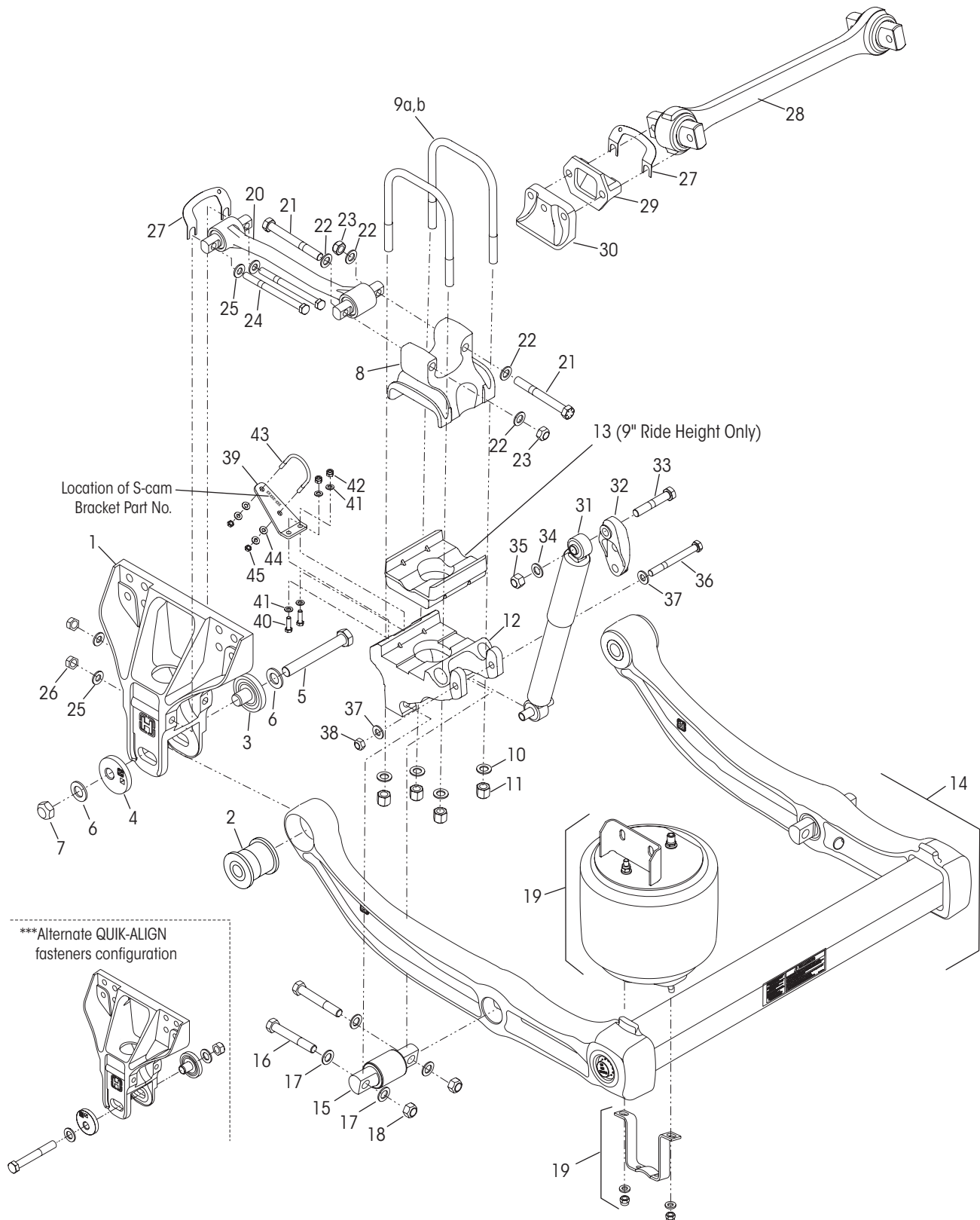
PRIMAAX EX 26K • 52K • 78K ■ 9", 10½" Ride Heights | Large Clamp Group
See Graphic on Page 12

AIR DISC BRAKES – REAR REAR

MERITOR AXLE

Pinion Angle				Torque Rod Spacer		Longitudinal Torque Rod Part No.	Top Pad Part No.		Bottom Cap Part No.	
Ride Height 9"		Ride Height 10½"		Length in mm	Part No.		Straight	Transition	Straight	Transition
55" Spread		60" Spread								
9.98	10.12	10.84	10.97	65302-510A (LH) 65302-510B (RH)	0	—	65210-001	65210-003	*65208-103 **65208-003	*65208-109 **65208-009
10.82	10.96	11.78	11.91		6.35	67045-072				
11.66	11.81	12.72	12.85		12.7	67045-071				
12.5	12.65	13.63	13.76		19.05	67045-070				
13.34	13.49	14.6	14.73		25.4	67045-069				
10.34	10.48	11.13	11.26	65302-510A (LH) 65302-510B (RH)	0	—				
11.21	11.35	12.09	12.22		6.35	67045-072				
12.08	12.22	13.06	13.19		12.7	67045-071				
12.95	13.1	14.02	14.15		19.05	67045-070				
13.82	13.96	14.99	15.12		25.4	67045-069				
11.72	11.86	12.65	12.78	65302-520A (LH) 65302-520B (RH)	0	—				
12.59	12.73	13.62	13.75		6.35	67045-072				
13.46	13.6	14.58	14.71		12.7	67045-071				
14.33	14.47	15.54	15.67		19.05	67045-070				
15.2	15.34	16.5	16.63		25.4	67045-069				
12.41	12.55	13.41	13.54	65302-525A (LH) 65302-525B (RH)	0	—				
13.28	13.42	14.38	14.51		6.35	67045-072				
14.15	14.29	15.34	15.47		12.7	67045-071				
15.02	15.16	16.3	16.43		19.05	67045-070				
15.89	16.03	17.26	17.39		25.4	67045-069				
13.1	13.24	14.17	14.31	65302-530A (LH) 65302-530B (RH)	0	—				
13.97	14.11	15.14	15.27		6.35	67045-072				
14.84	14.98	16.1	16.23		12.7	67045-071				
15.71	15.85	17.06	17.19		19.05	67045-070				
16.58	16.72	18.02	18.15		25.4	67045-069				

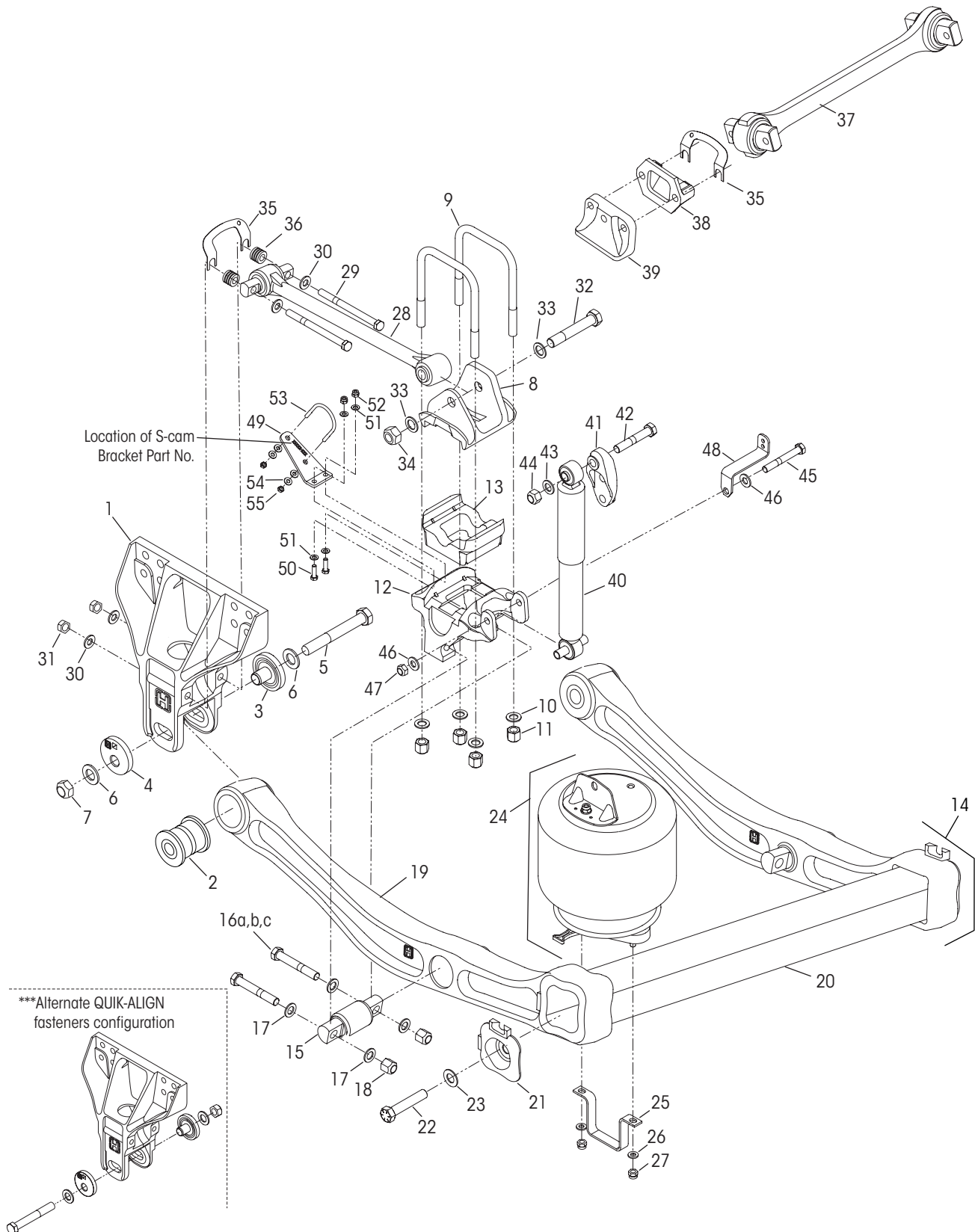
NOTE: * Bottom caps with S-cam holes used for both the drum and/or air disc brakes.
** Bottom caps without S-cam holes used for air disc brakes only.





PRIMAAX® EX 26K•52K•78K for International Truck Vehicles

				VEHICLE					VEHICLE
KEY NO.	PART NO.	DESCRIPTION		QTY.	KEY NO.	PART NO.	DESCRIPTION		QTY.
1	67706-000	EX Frame Hanger		4			Includes Key Nos. 16-18		
		QUIK-ALIGN Pivot Bushing Service Kit,			16	30418-011	*7/8"-14 UNF x 5" Bolt		8
		Includes Key Nos. 2-7, 46			17	22962-007	*7/8" Flat Washer		16
	60961-720	One Wheel End			18	80796-009	*7/8"-14 UNF Locknut		8
	60632-020	Axle Set			19	68056-002	Air Spring Assembly with Upper Frame Bracket		4
		QUIK-ALIGN Collar Service Kit, Includes			20	65302-XXX	Longitudinal Torque Rod Assembly, <i>see Selection Guides on Pages 12 to 15</i>		4
		Key Nos. 3-7					Longitudinal Torque Rod Fastener Service Kit,		
	60632-019	One Wheel End, <i>Replaces 60632-006</i>				49176-031	Axle Set, Includes Key Nos. 21-26		
	60632-021	Axle Set				49176-032	Axle Set, Includes Key Nos. 24-26		
	60632-018	QUIK-ALIGN Fastener Service Kit, One Wheel End,			21	21867-007	*3/4"-16 UNF x 6" Hex Bolt		8
		Includes Key Nos. 5-7, <i>Replaces 60632-005</i>			22	22962-001	*3/4" Flat Washer		16
2	70425-001	*QUIK-ALIGN Pivot Bushing		4	23	30191-000	*3/4"-16 UNF Locknut		8
3	64633-000	*QUIK-ALIGN Concentric Collar		4	24	32043-016	*5/8"-11 UNC-2B x 8" Bolt		8
4	64632-000	*QUIK-ALIGN Eccentric Collar		4	25	22962-004	*5/8" Flat Washer		16
5	68217-000	*1"-14 UNF x 7 1/2" Hendrickson Coated Hex Bolt		4	26	47764-000	*5/8"-11 UNC-2A Locknut		8
6	68232-000	*1" Hendrickson Coated Flat Washer		8	27	49689-000L	Shim		As Req.
7	68218-000	*1"-14 UNF-2B Hendrickson Coated Locknut		4	28	8240-0000-XXX	**TRAAX ROD®, Specify length in mm <i>Replaces 72000-XXXS</i>		
8		Top Pad, <i>see Graphic on Page 12</i>		4	29	22186-000	Transverse Torque Rod Frame Bracket		2
	48718-118	U-bolt Service Kit, Axle Set			30	60593-000L	Axle Stop, Frame Mounted		4
		Includes Key Nos. 9a-9b, 10-11			31	60665-013L	Shock Absorber		4
9		*3/4" Square U-bolt		8	32	67463-002	Upper Shock Frame Bracket		4
a	59367-010	1 1/2", Outboard				50754-036	Single Shock Absorber Fastener Service Kit		
b	59367-011	12", Inboard					Includes Key Nos. 33-38		
	48718-501	U-bolt Fasteners Service Kit, One Wheel End,			33	50764-010	*3/4"-10 UNC x 4 1/2" Upper Shock Bolt		4
		Includes Key Nos. 10-11			34	22962-001	*3/4" Flat Washer		As Req.
10	22962-001	*3/4" Flat Washer		16	35	49842-000	*3/4"-10 UNC Locknut		4
11	49685-000	*3/4"-16 UNF U-bolt Locknut		16	36	32043-007	*5/8"-11 UNC x 7" Lower Shock Bolt		4
12		Bottom Cap - Front and Rear <i>see Selection Guides on Pages 12 to 15</i>		4	37	22962-004	*5/8" Flat Washer		8
13		Axle Spacer - Front and Rear, 9" Ride Height Only <i>see Selection Guides on Pages 12 to 15</i>		4	38	47764-000	*5/8"-11 UNC-2B Locknut		4
14		U-beam Assembly, Includes Key Nos. 2, 15		2	39	64508-XXX	S-cam Support Bracket, <i>Locate part number on component</i>		4
		• Front				58821-017	S-cam Fastener Service Kit, Axle Set,		
	67249-014	34.3" Frame Width					Includes Key Nos. 40-45		
	67249-016	34.5" Frame Width			40	58035-004	*3/8"-16 UNC x 1 1/4" Hex Bolt		8
	67249-026	34.8" Frame Width			41	22962-015	*3/8" Hardened Washer		16
		• Rear			42	17700-006	*3/8"-16 UNC Locknut		8
	67249-013	34.3" Frame Width			43	64202-000	*5/16" S-Cam U-bolt		4
	67249-015	34.5" Frame Width			44	22962-029	*5/16" Hardened Washer		16
	67249-025	34.8" Frame Width			45	59016-000	*5/16"-18 UNC Locknut		8
	34013-114	Single D-pin Bushing Service Kit,			46	70867-001	P-80 Lubricant - 10 ml (Not Shown)		per Bushing 1
		Includes Key Nos. 15-18							
15	65381-000	*D-pin Bushing		4					
	56659-010	D-pin Fastener Service Kit, Axle Set							





PRIMAAX® 230•460•690 for International Truck Vehicles

KEY NO.	PART NO.	DESCRIPTION	VEHICLE QTY.	KEY NO.	PART NO.	DESCRIPTION	VEHICLE QTY.
1	67706-000	Frame Hanger, <i>Replaces 65891-000</i>	4	22		*7/8"-9 UNC x 3 1/2" Hex Bolt	4
		QUIK-ALIGN® Pivot Bushing Service Kit,		23		*7/8" Hendrickson Coated Flat Washer	4
	60961-720	Includes Key Nos. 2-7, 56			60961-062	Single Air Spring Service Kit,	
	60632-020	One Wheel End				Includes Key Nos. 24-27	
		QUIK-ALIGN Collar Service Kit, Includes Key Nos. 3-7		24	60271-002L	Air Spring Assembly with Upper Frame Bracket	4
	60632-019	One Wheel End, <i>Replaces 60632-006</i>		25	60911-002	Lower Air Spring Mounting Bracket	4
	60632-021	Axle Set			49177-006	Lower Air Spring Fastener Service Kit, Single,	
	60632-018	QUIK-ALIGN Pivot Bolt Service Kit, One Wheel End,				Includes Key Nos. 26-27	
		Includes Key Nos. 5-7, <i>Replaces 60632-005</i>		26	22962-014	*1/2" Flat Washer	8
2	70425-001	*Pivot Bushing	4	27	17700-010	*1/2"-13 UNC Locknut	8
3	64633-000	*Concentric Collar	4	28		Longitudinal Torque Rod Assembly,	4
4	64632-000	*Eccentric Collar	4			<i>see Selection Guides on Pages 4 to 7</i>	
5	68217-000	*1"-14 UNF x 7 1/2" Hendrickson Coated Hex Bolt	4		49176-026	Single Longitudinal Torque Rod Fastener Kit	
6	68232-000	*1" Hendrickson Coated Flat Washer	8			Thru Bolt and Bar Pin Connection,	
7	68218-000	*1"-14 UNF-2B Hendrickson Coated Locknut	4		58821-012	Includes Key Nos. 29-34	
8	65290-001	Top Pad	4			Rear Thru Bolt Connection Only, Includes	
	91430-041	U-bolt Service Kit, One Wheel End, Includes				Key Nos. 32-34	
		Kit No. 48718-501 and Key No. 9		29	32043-016	*5/8"-11 UNC-2B x 8" Bolt	8
9	59367-004	*3/4" Square U-bolt, 10 3/8" Length	8	30	22962-004	*5/8" Flat Washer	16
	48718-501	U-bolt Fasteners Service Kit, One Wheel End,		31	47764-000	*5/8"-11 UNC-2A Locknut	8
		Includes Key Nos. 10-11		32	30418-009	*7/8"-14 UNF-2A x 5 1/2" Hex Bolt	4
10	22962-001	*3/4" Flat Washer	16	33	22962-034	*7/8" Hendrickson Coated Flat Washer	8
11	49685-000	*3/4"-16 UNF U-bolt Locknut	16	34	80796-009	*7/8"-14 UNF-2B Locknut	4
12	60556-XXX	Bottom Cap - Front and Rear,	4	35	49689-000L	Shim	As Req.
		<i>see Selection Guides on Pages 4 to 7</i>		36	67045-XXX	Torque Rod Spacer,	
13	65139-003	Axle Spacer	4			<i>see Selection Guides on Pages 4 to 7</i>	
14		****U-beam Assembly, Includes Key Nos. 2, 15	2	37	8240-0000-XXX	**TRAAX ROD®, Specify length in mm	
		<i>(Replaces previous U-beam assembly,</i>				<i>Replaces 72000-XXXS</i>	
		<i>support beam and cross tube assembly,</i>		38	22186-000	Transverse Torque Rod Frame Bracket	2
		<i>see Replacement Guide below)</i>		39	60593-000L	Axle Stop, Frame Mounted	4
		Single D-Pin Bushing Service Kit,		40	60657-003L	Shock Absorber	4
	34013-107	Includes Key Nos. 15, 16a, 17-18		41	67463-002	Upper Shock Frame Bracket,	4
	34013-116	Includes Key Nos. 15, 16b, 17-18				<i>Replaces 65000-002</i>	
	34013-117	Includes Key Nos. 15, 16c, 17-18			50754-030	Single Shock Fastener Service Kit,	
15	60383-000	*D-Pin Bushing	4			Includes Key Nos. 42-47	
		D-Pin Fastener Service Kit, Axle Set,		42	50764-010	*3/4"-10 UNC x 4 1/4" Upper Shock Bolt	4
	56659-009	Includes Key Nos. 16a, 17-18		43	22962-001	*3/4" Flat Washer	4
	56659-013	Includes Key Nos. 16b, 17-18		44	49842-000	*3/4"-10 UNC Locknut	4
	56659-012	Includes Key Nos. 16c, 17-18		45	32043-017	*5/8"-11 UNC x 6" Lower Shock Bolt	4
16		*3/4"-16 UNF Bolt	8	46	22962-004	*5/8" Flat Washer	8
	a	21867-036	5" Length	47	47764-000	*5/8"-11 UNC-2B Locknut	4
	b	21867-026	5 1/2" Length	48	60921-000	Height Control Valve Linkage Bracket	2
	c	21867-043	4 3/4" Length	49	64508-XXX	S-cam Support Bracket,	4
17	22962-001	*3/4" Flat Washer	16			<i>Locate part number on component</i>	
18	30191-000	*3/4"-16 UNF Locknut	8		58821-017	S-cam Fastener Service Kit, Axle Set,	
19		****Support Beam Assembly (66435-xxx, see				Includes Key Nos. 50-55	
		<i>Replacement Guide below)</i>		50	58035-004	*3/8"-16 UNC x 1 1/4" Hex Bolt	8
20		****Cross Tube (60912-xxx, see Replacement		51	22962-015	*3/8" Hardened Washer	16
		<i>Guide below)</i>		52	17700-006	*3/8"-16 UNC Locknut	8
	46772-001	End Cap and Fastener Kit, Axle Set,		53	64202-000	*5/16" S-cam U-bolt	4
		Includes Key Nos. 21-23		54	22962-029	*5/16" Hardened Washer	16
21		*End Cap	4	55	59016-000	*5/16"-18 UNC Locknut	8
				56	70867-001	P-80 Lubricant - 10 ml (Not Shown)	per Bushing 1

■ Support Beam and Cross Tube Replacement Guide

Key Nos. 19, 20	DISCONTINUED May 2010				NEW		
	Support Beam Assembly Part Number				Cross Tube Part No.	U-beam Assembly Service Kit No.	
	60831-00X • 66435-00X				60912-XXX	60961-XXX	
*Frame Width (Inches)	LH Forward	LH Rear	RH Forward	RH Rear		Forward	Rear
34.3					-003	-261	-262
34.5	-003	-001	-004	-002	-002	-263	-264
34.8					-009	-243	-244

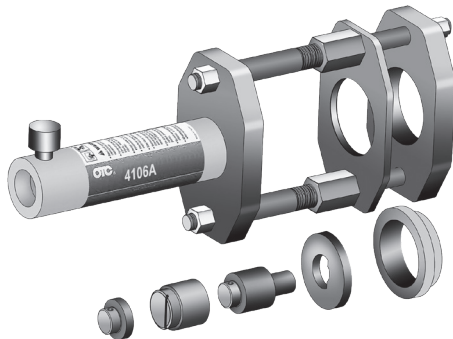
NOTE: *Contact vehicle manufacturer to verify frame width.



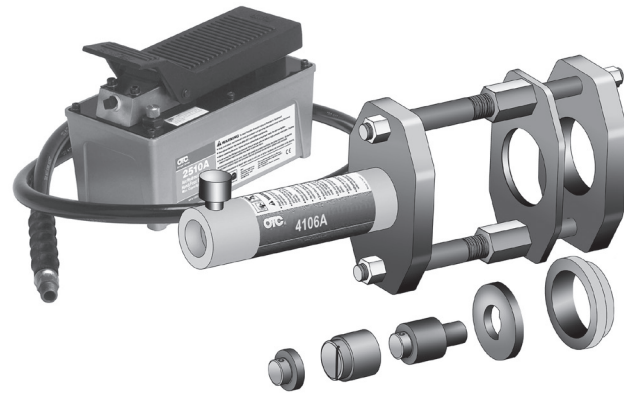
■ Special Tools

D-PIN / QUIK-ALIGN PIVOT BUSHING SERVICE TOOLS

OTC Part No. 4246 Visit otctools.com



OTC Part No. 4247 Visit otctools.com



QUIK-ALIGN PIVOT BUSHING SERVICE TOOL

Hendrickson Part No. 66086-203L

Reference Literature No. 59310-061



QUIK-ALIGN SOCKET TOOL

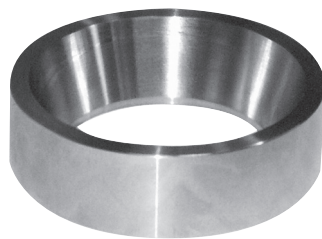
OTC Part No. 1767

Visit otctools.com



ULTRA ROD TORQUE ROD BUSHING FUNNEL TOOL

Hendrickson Part No. 66086-001L



This is a general parts list to provide directional information. Components may vary by model. Questions in regards to parts, contact Hendrickson Truck Parts at 1.866.755.5968 (Toll-free U.S. and Canada), 630.910.2800 (Outside U.S. and Canada) or email: truckparts@hendrickson-intl.com.
 Actual product performance may vary depending upon vehicle configuration, operation, service and other factors.
 All applications must comply with applicable Hendrickson specifications and must be approved by the respective vehicle manufacturer with the vehicle in its original, as-built configuration.
 Contact Hendrickson for additional details regarding specifications, applications, capacities, and operation, service and maintenance instructions.

Call Hendrickson at 1.866.755.5968 (toll-free) or 1.630.910.2800 for additional information.



www.hendrickson-intl.com

TRUCK COMMERCIAL VEHICLE SYSTEMS
 800 South Frontage Road
 Woodridge, IL 60517-4904 USA
 1.866.755.5968 (Toll-free U.S. and Canada)
 1.630.910.2800 (Outside U.S. and Canada)
 Fax 1.630.910.2899

SP-233 Rev E 05-24

© 2012 – 2024 Hendrickson USA, L.L.C. All Rights Reserved. All trademarks shown are owned by Hendrickson USA, L.L.C., or one of the affiliates, in one or more countries.

Information contained in this literature was accurate at the time of publication. Product changes may have been made after the copyright date that are not reflected.

Printed in United States of America