

# **H** PARTS LIST

## HT300T TOP MOUNT

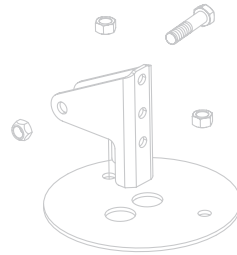
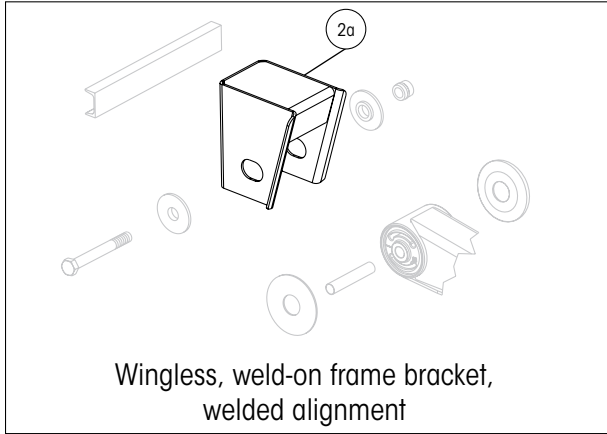
LIT NO: L939

DATE: July 2023

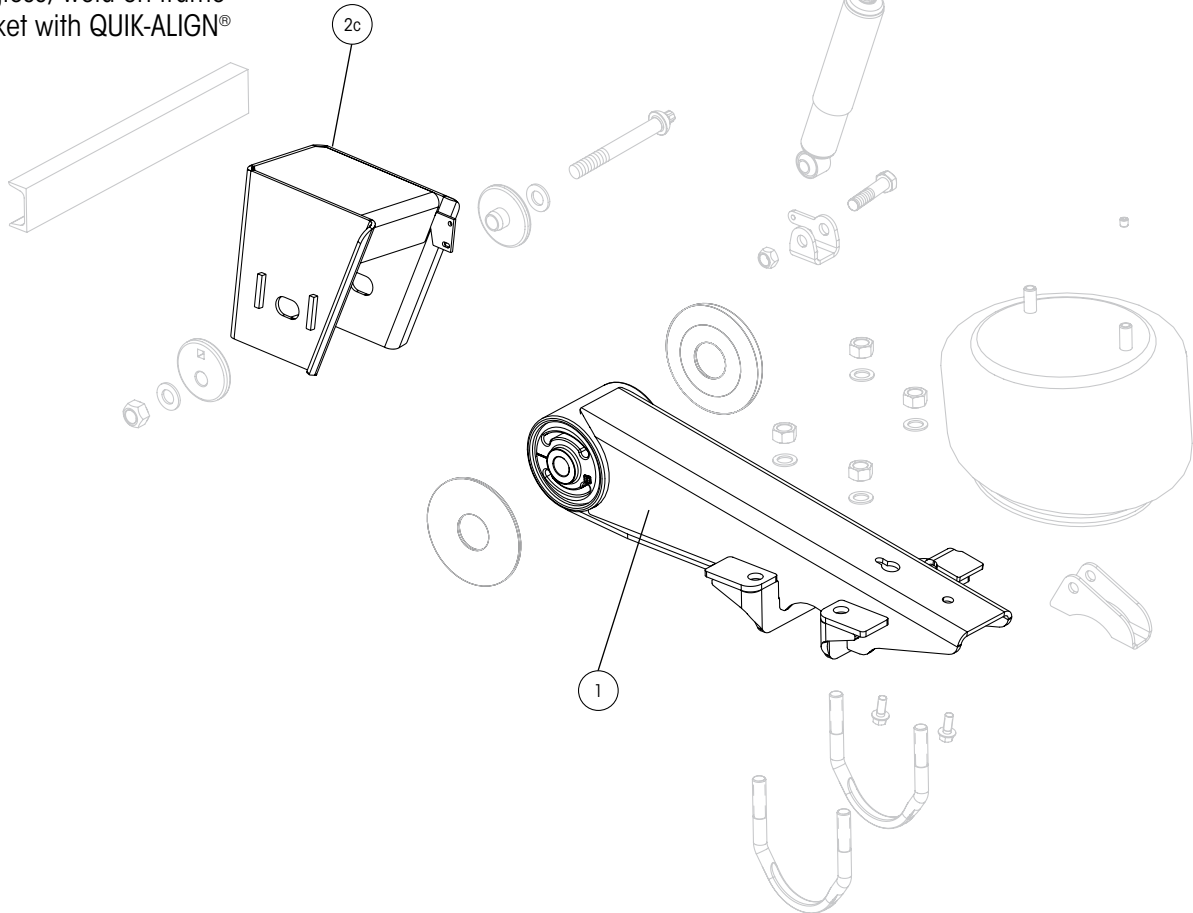
REVISION: D

---





Wingless, weld-on frame  
bracket with QUIK-ALIGN®





# HT300T TOP MOUNT PARTS LIST

ITEM	DESCRIPTION	PART NO.	QTY. PER SUSP.	FITS MODELS HT300 ? OR N-HT300 ?		
<b>1</b>	<b>BEAM ASSEMBLY<sup>1</sup></b>					
	Roadside	S-20186-1	1	All models		
	Curbside	S-20186-2	1	All models		
<b>2</b>	<b>FRAME BRACKET</b>					
<b>2a</b>	<b>Wingless, Weld-on, Welded Alignment</b>					
	Roadside	S-20196-1	1	-15-001	-15-005	-15-007
	Curbside	S-20196-2	1	-15-017	-15-024	-15-501
				-15-518	-15-701	
	Roadside	S-20197-1	1	-17-001	-17-005	-17-007
	Curbside	S-20197-2	1	-17-024	-17-501	-17-518
				-17-701		
	Roadside	S-20286-1	1	-15-016		
	Curbside	S-20286-2	1			
	Roadside	S-20065-1	1	-17-003	-17-012	-17-019
	Curbside	S-20065-2	1	-17-503	-17-520	
	Roadside	C-21123-1	1	-17-025		
	Curbside	C-21123-2	1			
	Roadside	S-14190-1	1	-19-001		
	Curbside	S-14190-2	1			
	Roadside	S-21454-1	1	-21-003		
	Curbside	S-21454-2	1			
	Roadside	S-21150-1	1	-23-001		
	Curbside	S-21150-2	1			
	Roadside	S-21122-1	1	-15-021	-15-025	
	Curbside	S-21122-2				
<b>2b</b>	<b>Wingless, Bolt-on, QUIK-ALIGN<sup>®</sup> (Not Shown)</b>					
	Roadside	S-23512-1	1	TB17-022		
	Curbside	S-23512-2	1			
<b>2c</b>	<b>Wingless, Weld-on, QUIK-ALIGN</b>					
	Roadside	S-23790-1	1	TB15-001	TB15-023	TB15-024
	Curbside	S-23790-2	1	TB15-027	TB15-518	
	Roadside	S-24635-1	1	TB17-001	TB17-024	
	Curbside	S-24635-2	1			
	Roadside	S-23461-1	1	TB19-007	TB19-020	
	Curbside	S-23461-2	1			
	Roadside	C-23797-1	1	TB15-016		
	Curbside	C-23797-2	1			
	Roadside	S-21592-1	1	TB16-026	TB17-003	
	Curbside	S-21592-2	1			
<b>2d</b>	<b>Wingless, Bolt-on, Welded Alignment (Not Shown)</b>					
	Roadside	S-22073-1	1	-23-002		
	Curbside	S-22073-2	1			
	Roadside	S-22281-1	1	-17-022		
	Curbside	S-22281-2	1			
	Roadside	S-20008-1	1	-17-004		
	Curbside	S-20008-2	1			
<b>2e</b>	<b>Wingless, Bolt-on, QUIK-ALIGN (Not Shown)</b>					
	Roadside	S-24220-1	1	TC15-060		
	Curbside	S-24220-2	1			
	Roadside	S-24226-1	1	TC15-061		
	Curbside	S-24226-2	1			
	Roadside	S-24222-1	1	TC17-060		
	Curbside	S-24222-2	1			

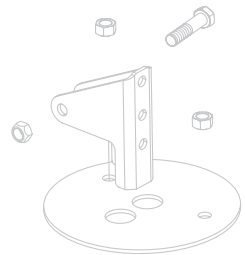
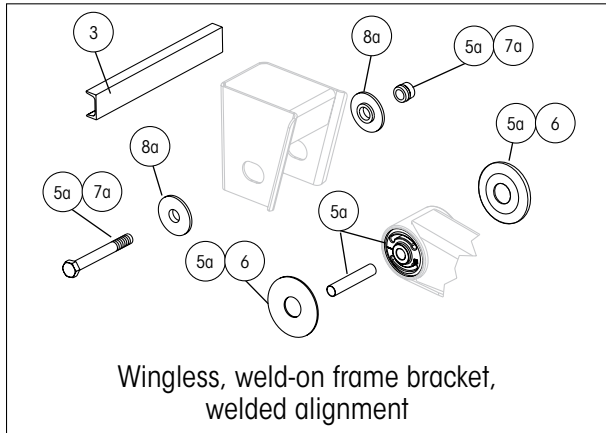
<sup>1</sup> Lower shock clevis (item # 13) is included with beam assembly.

NOTE: Identification tag can be found on the front of the curbside frame bracket or the inside of the curbside beam.

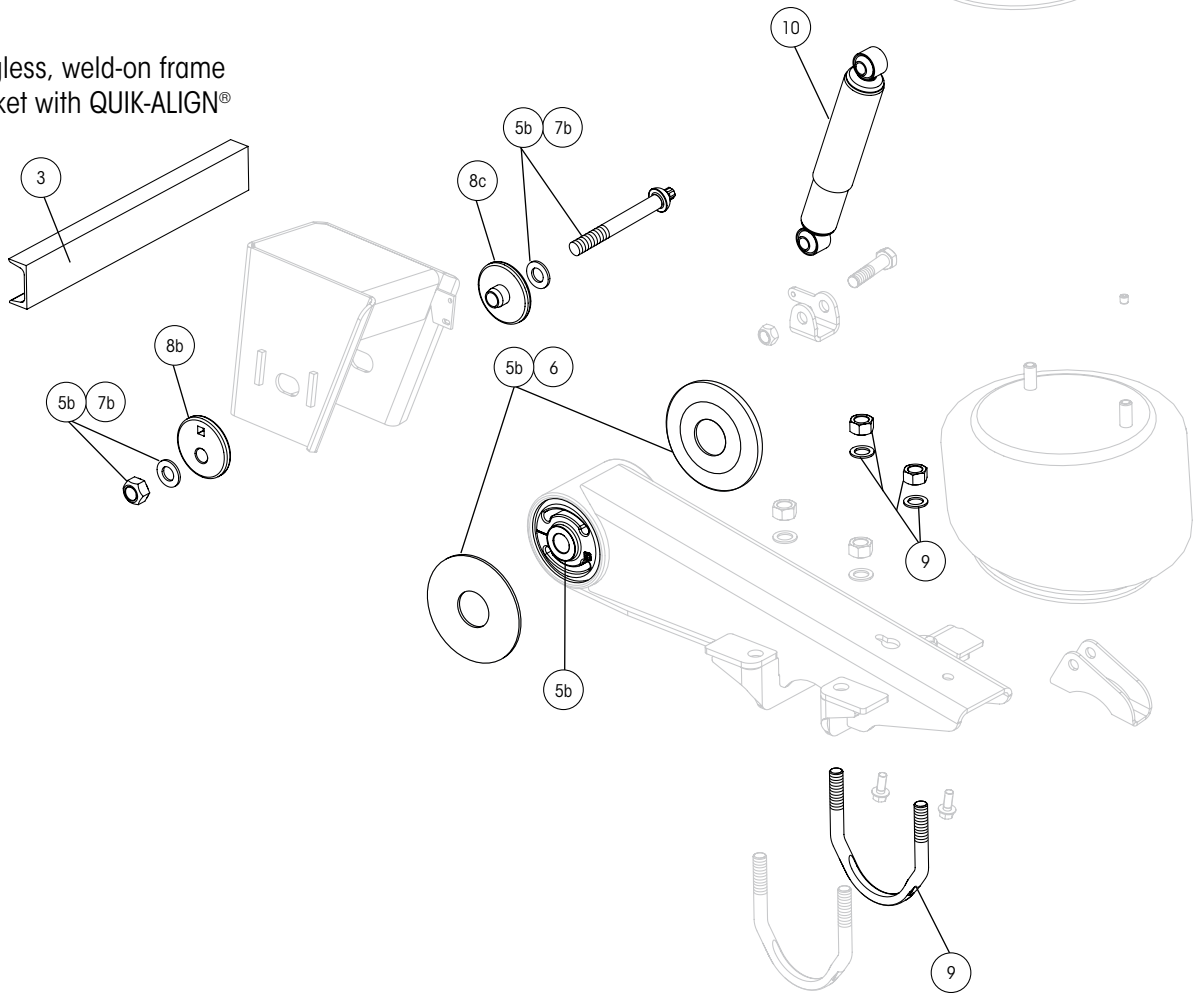
# HT300T TOP MOUNT PARTS LIST



Picture shown may not resemble all models.



Wingless, weld-on frame bracket with QUIK-ALIGN®





# HT300T TOP MOUNT PARTS LIST

ITEM	DESCRIPTION	PART NO.	QTY. PER SUSP.	FITS MODELS HT300 ? OR N-HT300 ?		
<b>2</b>	<b>FRAME BRACKET</b> (Continued)					
	<b>2e Wingless, Bolt-on, QUIK-ALIGN®</b> (Not Shown)					
	Roadside	S-24228-1	1	TC17-061		
	Curbside	S-24228-2	1			
	Roadside	S-24181-1	1	TC19-060	TC19-062	
	Curbside	S-24181-2	1			
	Roadside	S-24251-1	1	TC19-061	TC19-063	
	Curbside	S-24251-2	1			
	<b>2f Winged, Bolt-on, QUIK-ALIGN</b>					
	Roadside	S-25461-1	1	TA15-070		
	Curbside	S-25461-2	1			
	Roadside	S-25618-1	1	TA15-036		
	Curbside	S-25618-2	1			
	Roadside	S-25462-1	1	TA17-070		
	Curbside	S-25462-2	1			
<b>3</b>	<b>FRAME BRACKET C-CHANNEL</b>	A-1631-19	1	All models		
<b>4</b>	<b>FRAME BRACKET BRACE</b> (Not Shown)	B-2347-6	2	-21-003	-23-001	
<b>5</b>	<b>TRI-FUNCTIONAL® II BUSHING KIT<sup>2</sup></b>					
	<b>5a Welded Alignment</b>	S-6914	2	Includes bushing, bushing tube spacers, cap screw, prevailing torque hex nut, liner and lube		
	<b>5b QUIK-ALIGN</b>	S-24691	2	Includes bushing, bushing tube spacers, round head bolt, prevailing torque hex nut, hardened washers and lube		
<b>6</b>	<b>BUSHING TUBE SPACER</b>	S-21099	4	All models		
<b>7</b>	<b>PIVOT BOLT KIT</b>					
	<b>7a Welded Alignment</b>	S-3646	2	Includes cap screw, prevailing torque hex nut and liner		
	<b>7b QUIK-ALIGN</b>	S-24679	2	Includes round head bolt, hardened washers and prevailing torque hex nut		
<b>8</b>	<b>ALIGNMENT COLLARS</b>					
	<b>8a Welded Alignment</b>	S-2770	4	Collars are welded to frame bracket		
	<b>8b Eccentric, QUIK-ALIGN (outer)</b>	S-20925	2	Alignment hole is off center		
	<b>8c Concentric, QUIK-ALIGN (inner)</b>	S-20924	2	Alignment hole is centered		
<b>9</b>	<b>U-BOLT KIT</b>	S-21140/4	4	Includes (1) stepped U-bolt and hardware. Axle spacer is not needed with stepped U-bolt.		
<b>10</b>	<b>SHOCK ABSORBER</b>	S-20126	2	All models except below		
		S-2160	2	-15-007	-15-011	-15-021
				-17-007	-17-011	-17-012
				TB19-007	TB19-020	
		S-21553	2	-15-017	-15-518	-17-518
				-17-520		
		S-24579	2	TB15-027		
		S-21699	2	TB15-518		

<sup>2</sup> Bushing tool S-21307 is required to correctly re-bush the suspension.

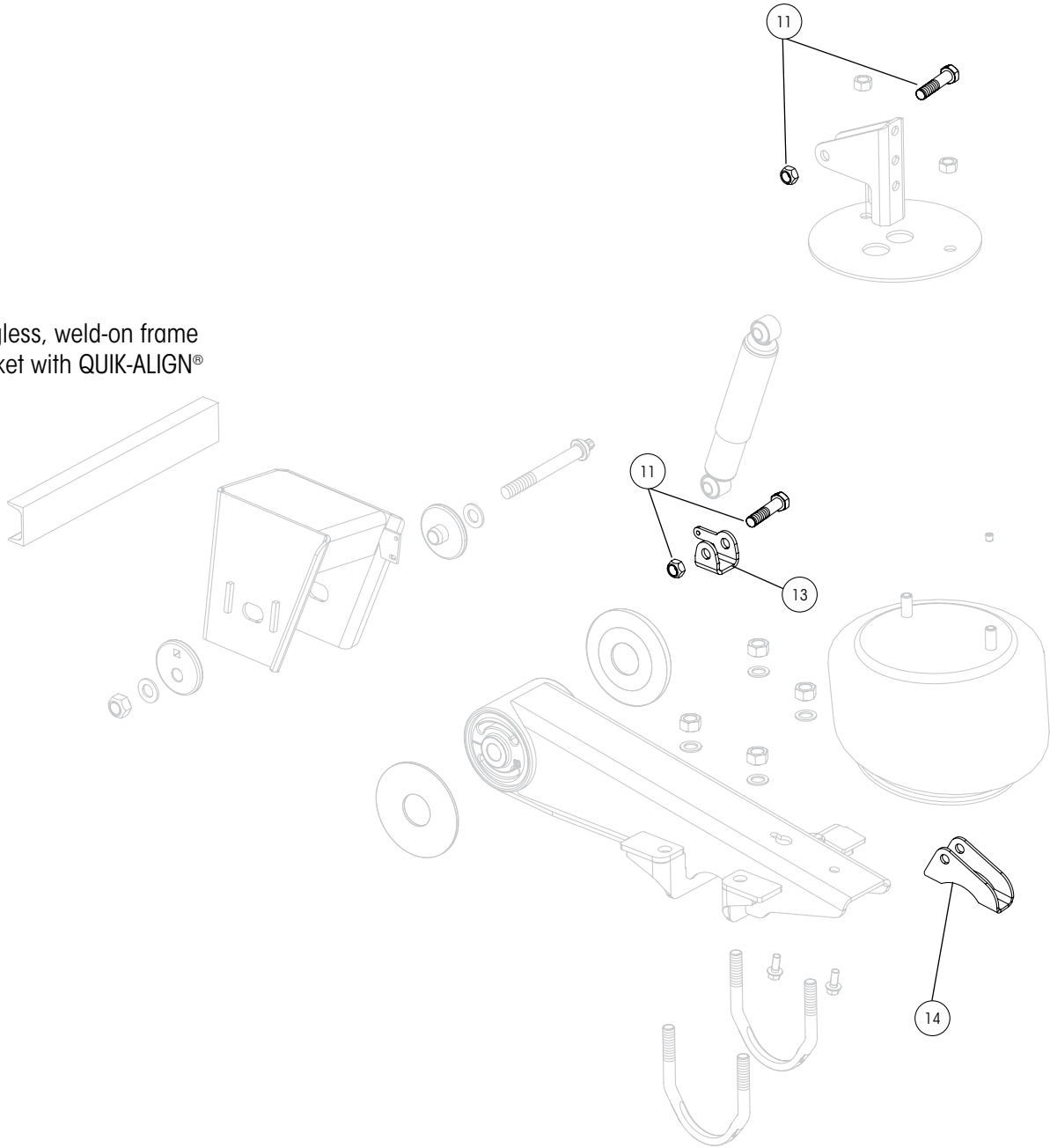
NOTE: Identification tag can be found on the front of the curbside frame bracket or the inside of the curbside beam.

# HT300T TOP MOUNT PARTS LIST



Picture shown may not resemble all models.

Wingless, weld-on frame  
bracket with QUIK-ALIGN®





# HT300T TOP MOUNT PARTS LIST

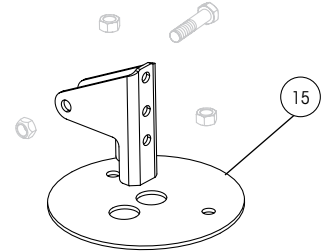
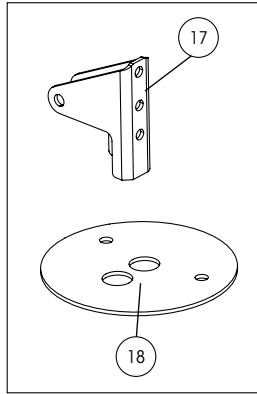
ITEM	DESCRIPTION	PART NO.	QTY. PER SUSP.	FITS MODELS		
				HT300 ?	OR N-HT300 ?	
11	SHOCK BOLT KIT	S-20031/2	2	All models except below		
		S-20218/2	2	-15-010	-17-010	
		S-2157/2	2	-15-007	-15-011	-15-021
				-17-007	-17-011	-17-012
			TB19-007	TB19-020		
12	REMOTE SHOCK MOUNT (Not Shown)					
12a	Upper Assembly	S-2592	2	-15-007	-17-007	-17-012
				TB15-027	TB19-007	TB19-020
12b	Lower Assembly <sup>3</sup>	S-20069	2	All models		
12c	Shock Bracket Assembly	S-38151	2	-15-011	-15-021	-17-011
				(Includes shock bracket assembly and shock clevis)		
13	LOWER SHOCK CLEVIS <sup>3</sup>	S-20069	2	All models		
14	LOWER SHOCK BRACKET	S-2723	2	-15-007	-15-011	-15-021
				-17-007	-17-011	-17-012
				TB19-007	TB19-020	

<sup>3</sup> Lower shock clevis is included with beam assembly (item #1).

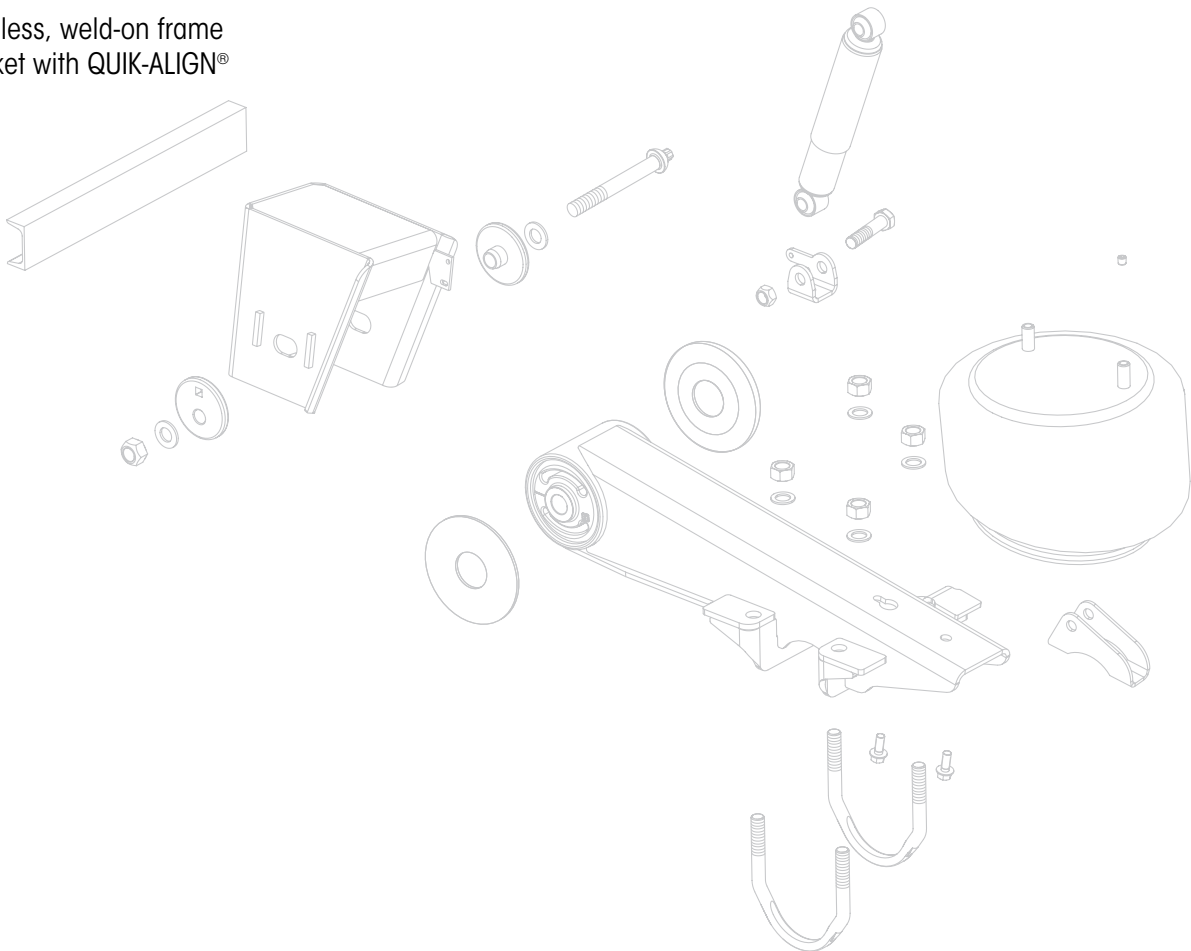
NOTE: Identification tag can be found on the front of the curbside frame bracket or the inside of the curbside beam.



Picture shown may not resemble all models.



Wingless, weld-on frame  
bracket with QUIK-ALIGN®







# HT300T TOP MOUNT PARTS LIST

ITEM	DESCRIPTION	PART NO.	QTY. PER SUSP.	FITS MODELS		
				HT300 ?	OR N-HT300 ?	
<b>15</b>	<b>AIR SPRING SHOCK MOUNT<sup>4</sup></b>					
	Roadside	C-20199-1	1	-15-001	-15-005	-15-016
	Curbside	C-20199-2	1	-15-017	-15-024	-15-501
				-15-518	-15-701	TB15-001
				TB15-016	TB15-024	TB15-518
	Roadside	C-20191-1	1	-17-001	-17-005	-17-017
	Curbside	C-20191-2		-17-024	-17-501	-17-518
			1	-17-701	TB17-001	TB17-024
	Roadside	C-20191-3	1	-17-002	-17-022	TA17-070
	Curbside	C-20191-4	1	TB17-022	TC17-060	TC17-061
	Roadside	C-21453-1	1	-21-003		
	Curbside	C-21453-2	1			
	Roadside	C-20188-3	1	-15-002	TA15-036	TA15-070
	Curbside	C-20188-4	1	TC15-060	TC15-061	
	Roadside	C-20195-1	1	-17-003	-17-019	-17-503
	Curbside	C-20195-2	1	-17-520	TB17-003	
	Roadside	C-20195-3		-17-004		
	Curbside	C-20195-4				
	Roadside	C-20708-1	1	-19-001		
	Curbside	C-20708-2	1			
	Roadside	C-20708-3	1	-19-004	TC19-062	TC19-063
	Curbside	C-20708-4	1			
	Roadside	C-24496-1	1	TC19-060	TC19-061	TC19-062
	Curbside	C-24496-2	1			
	Roadside	C-24595-1	1	TB16-026		
	Curbside	C-24595-2	1			
	Roadside	C-24497-1	1	TB19-020		
	Curbside	C-24497-2	1			
<b>16</b>	<b>AIR SPRING SPACER ASSEMBLY<sup>4</sup> (Not Shown)</b>					
	Roadside	C-20329-1	1	T-17-007		
	Curbside	C-20329-2	1			
	Roadside	C-20309-1	1	T-17-012		
	Curbside	C-20309-2	1			
	Roadside	C-21952-1	1	TB19-007		
	Curbside	C-21952-2	1			
	Roadside and Curbside	C-21149	1 each	-23-001		
	Roadside and Curbside	C-21149-1	1 each	-23-002		
<b>17</b>	<b>UPPER SHOCK BRACKET</b>					
	Roadside	C-21797-1	1	All models except below		
	Curbside	C-21797-2	1			
	Roadside	C-24591-1		TB16-026		
	Curbside	C-24591-2				
<b>18</b>	<b>AIR SPRING PLATE</b>					
		C-20192	2	-15-007		
		C-20193	2	TB15-027		

<sup>4</sup> Component may vary for slider suspensions based on slider box manufacturer. Contact Hendrickson for assistance.

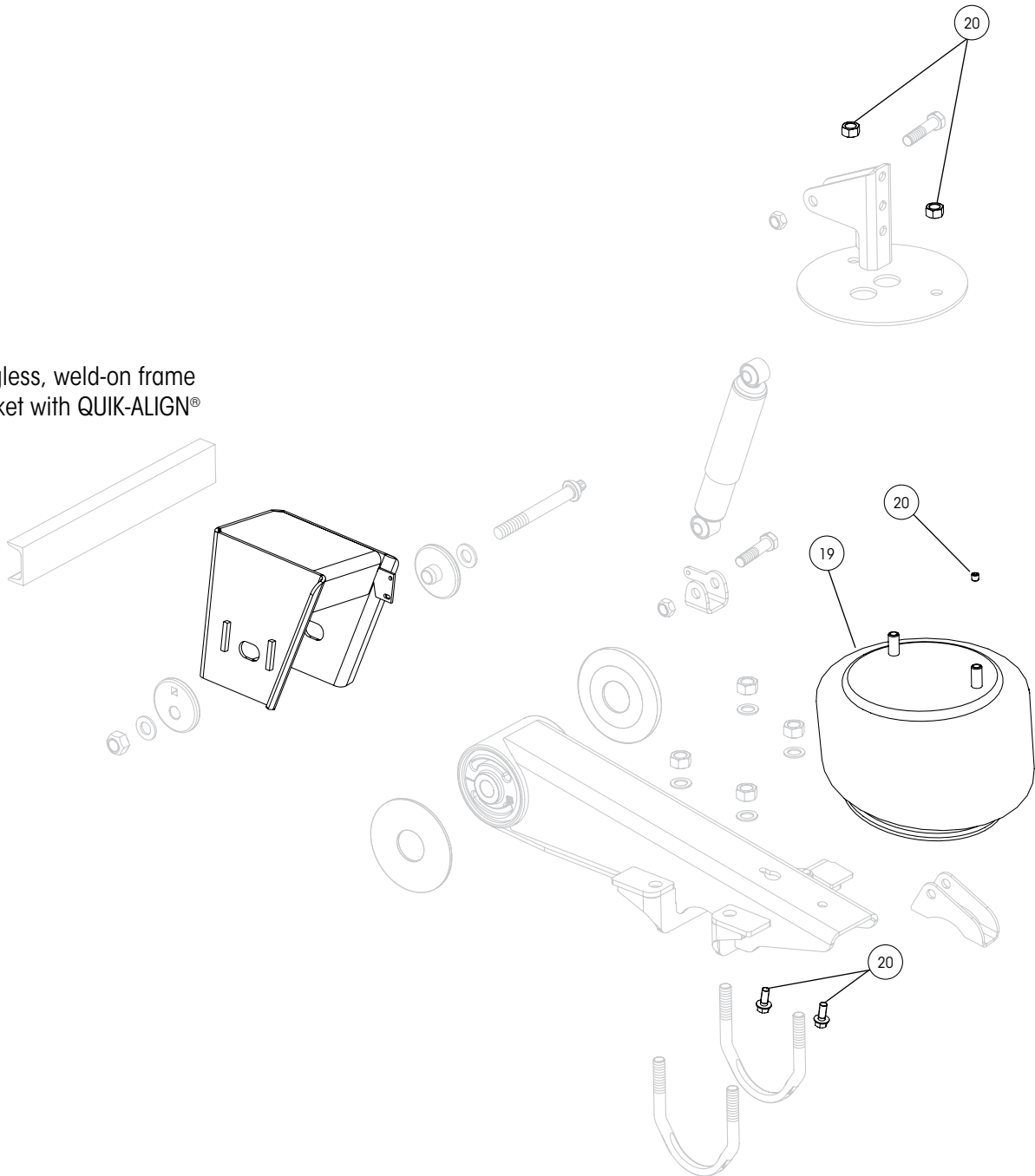
NOTE: Identification tag can be found on the front of the curbside frame bracket or the inside of the curbside beam.

# HT300T TOP MOUNT PARTS LIST



Picture shown may not resemble all models.

Wingless, weld-on frame  
bracket with QUIK-ALIGN®





## HT300T TOP MOUNT PARTS LIST

ITEM	DESCRIPTION	PART NO.	QTY. PER SUSP.	FITS MODELS
				HT300 ? OR N-HT300 ?
19	AIR SPRING	S-4771	2	All models
20	AIR SPRING MOUNTING KIT	S-4903/2	2	All models
21	UNIVERSAL HEIGHT CONTROL VALVE (Not Shown)	VS-227	1	Fits all models. Includes height control valve, exhaust line and spacer bracket.
22	UNIVERSAL LINKAGE ASSEMBLY (Not Shown)	S-14187	1 <sup>5</sup>	Includes linkage assembly and hardware
23	AUTOMATIC DUMP VALVE (Not Shown)	VS-23460	1 <sup>5</sup>	Includes dump valve and fittings
24	PRESSURE PROTECTION VALVE (Not Shown)	VS-1128	1 <sup>5</sup>	Includes valve only

<sup>5</sup> Quantities for air control components are per trailer.

NOTE: Identification tag can be found on the front of the curbside frame bracket or the inside of the curbside beam.

*Actual product performance may vary depending upon vehicle configuration, operation, service and other factors.  
All applications must comply with applicable Hendrickson specifications and must be approved by the respective vehicle manufacturer with the vehicle in its original, as-built configuration.  
Contact Hendrickson for additional details regarding specifications, applications, capacities, and operation, service and maintenance instructions.*

**Call Hendrickson at 866.RIDEAIR (743.3247) for additional information.**



[www.hendrickson-intl.com](http://www.hendrickson-intl.com)

**TRAILER COMMERCIAL VEHICLE SYSTEMS**

2070 Industrial Place SE  
Canton, OH 44707-2641 USA  
866.RIDEAIR (743.3247)  
Fax 800.696.4416

**Hendrickson Canada ULC**

2825 Argentinia Road, Unit #2 - 4  
Mississauga, ON Canada L5N 8G6  
800.668.5360  
905.789.1030 • Fax 905.812.9423

**Hendrickson Mexicana**

Circuito El Marqués Sur #29  
Parque Industrial El Marqués  
Pob. El Colorado, Municipio El Marqués,  
Querétaro, México C.P. 76246  
+52 (442) 296.3600 • Fax +52 (442) 296.3601

L939 Rev D 07-23

© 2006 – 2023 Hendrickson USA, L.L.C. All Rights Reserved. All trademarks shown are owned by Hendrickson USA, L.L.C., or one of its affiliates, in one or more countries.  
Information contained in this literature was accurate at the time of publication. Product changes may have been made after the copyright date that are not reflected.

Printed in United States of America