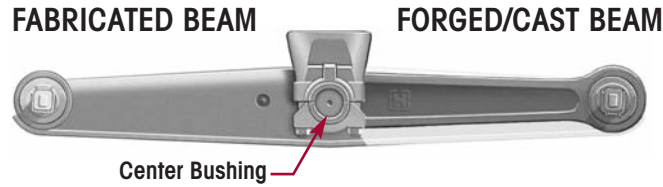


Walking Beams

SUBJECT: Equalizing Beam Center Bushing

LIT NO: SEU-0213

DATE: October 2007 REVISION: B



GUIDELINES

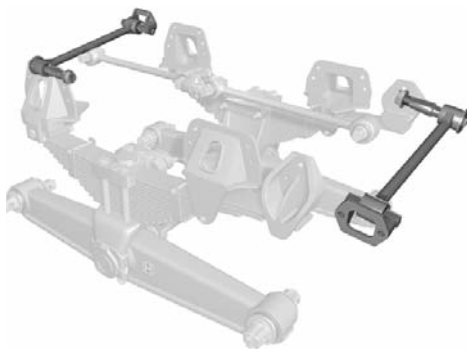
FIGURE 1
Bronze Center Bushing



FIGURE 2
Rubber Center Bushing



FIGURE 3
RTE Equipped with Transverse Rods



HENDRICKSON GUIDELINES FOR REAR WALKING BEAM SUSPENSIONS EQUIPPED WITH BRONZE CENTER BUSHINGS

Bronze center bushed equalizing beams are **MANDATORY** for the following applications:

- **ALL** walking beam suspensions with capacities of 46,000 lb. through 52,000 lb. unless equipped with transverse rods and rubber center bushings as shown in Figure 3.
- **ALL** walking beam suspensions with capacities of 40,000 lb. for the following applications unless equipped with transverse rods and rubber center bushings as shown in Figure 3.
 - refuse packers
 - transit mix
 - dump
 - vehicles negotiating frequent tight turns or backing into position
- To convert center bushings from bronze to rubber *or* rubber to bronze contact Hendrickson Tech Services 630-910-2800.

IMPORTANT NOTICE NEVER use transverse rods, see Figure 3, in conjunction with bronze equalizing beam center bushings.

Refer any questions on this publication to Hendrickson Tech Services (630.910.2800 or email techservices@hendrickson-intl.com). For more information on Hendrickson products go to www.hendrickson-intl.com.

www.hendrickson-intl.com



Truck Suspension Systems
800 South Frontage Road
Woodridge, IL 60517-4904 USA

630.910.2800
Fax 630.910.2899