

HPARTS LIST

**SOFTEK® Front Suspension
with STEERTEK™ Axle
for Blue Bird Medium-duty
Electric & Propane Step Vans**

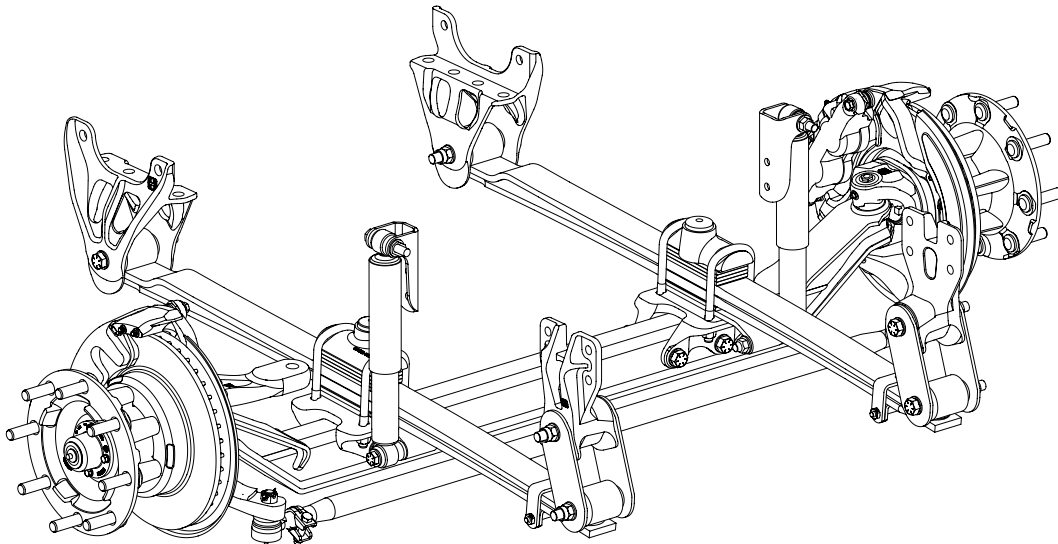
LIT NO: SP-366

DATE: April 2026

REVISION: A

CONTENTS

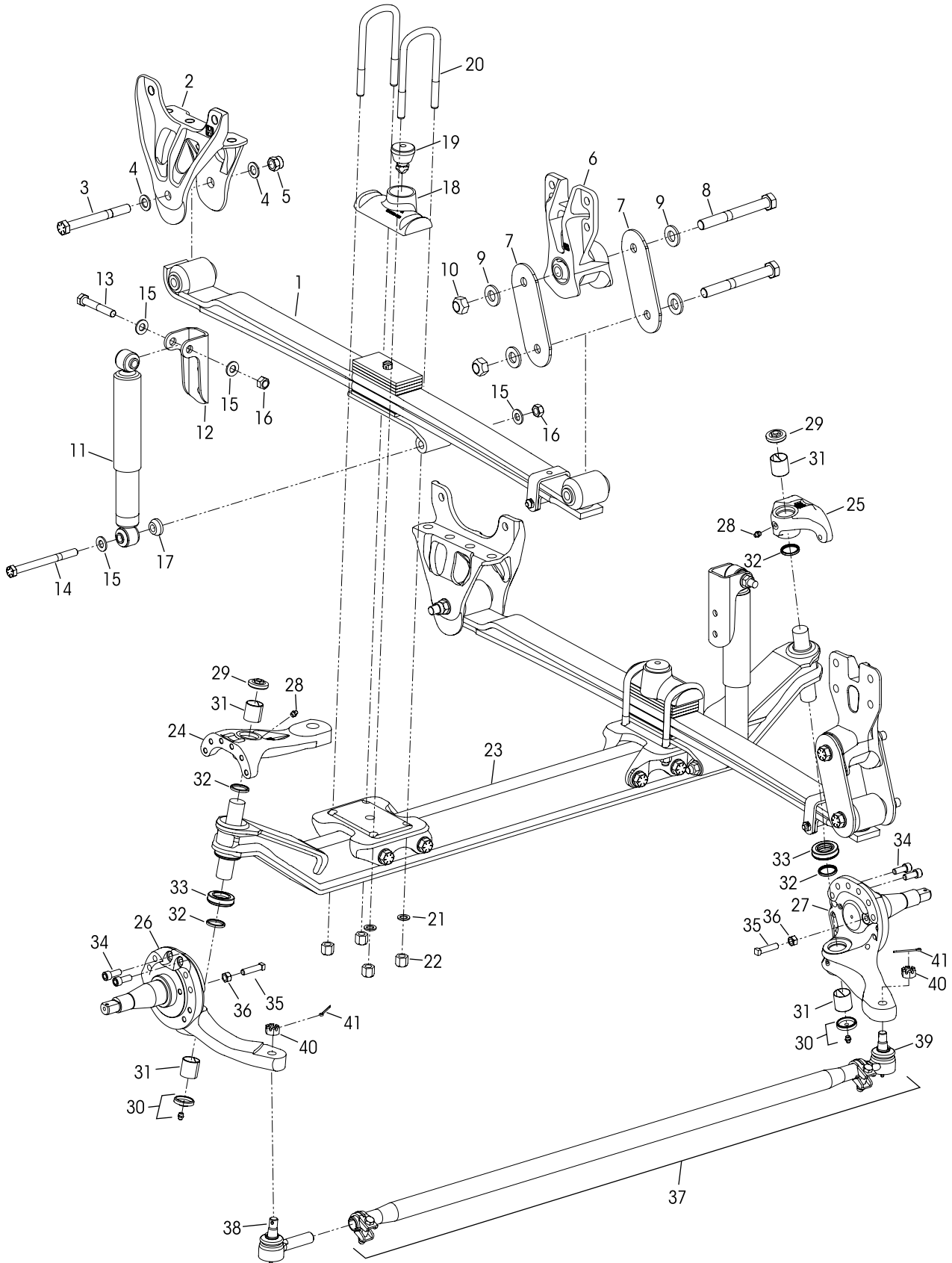
DESCRIPTION	PAGE
Parts List	2
Notes	3
Wheel End Assembly with Hydraulic Disc Brakes . .	4





8K Pound Capacity

6.45" (163.8 mm) Ride Height





SOFTEK® Front Suspension for Blue Bird Electric & Propane Step Vans

KEY NO.	PART NO.	DESCRIPTION	VEHICLE QTY.	KEY NO.	PART NO.	DESCRIPTION	VEHICLE QTY.
1	83107-500	Leaf Spring Assembly	2				
2	64488-002	Front Hanger	2				
3		***3/4"-10 UNC x 7" Hex Bolt	2	26		Lower Steering Knuckle Assembly, Includes Key Nos. 30-32, 35-36 Left Hand	1
4		***3/4" Flat Washer	4		91221-515	178" Wheelbase	
5		***3/4"-10 UNC Locknut	2		91221-517	208" Wheelbase	
6	66510-001	Rear Shackle Bracket Assembly	2	27		Right Hand	1
7	64314-001	Rear Shackle Plate	4		91221-516	178" Wheelbase	
8		***3/4"-16 UNF x 6 1/2" Hex Bolt	4		91221-518	208" Wheelbase	
9		***3/4" Flat Washer	8		34013-448	Kingpin Bushing Service Kit, One Side , Includes Key Nos. 28-31 & Loctite	
10		***3/4"-16 UNF Nylocknut	4	28	33117-000	Grease Zerk	2
11	94144-004	Shock Absorber	2	29	91231-001	Grease Cap Assembly, Upper	2
12	94145-000	Upper Shock Absorber Bracket	2	30	91233-001	Grease Cap Assembly, Lower	2
13		***5/8"-11 UNC x 4" Upper Shock Bolt	2	31	91204-001	Kingpin Bushing	4
14		***5/8"-11 UNC x 6 1/2" Lower Shock Bolt	2		34013-449	Roller Thrust Bearing Service Kit, One Side , Includes Key Nos. 32-34 & Loctite	
15		***5/8" Flat Washer	8	32	91234-001	Kingpin Seal	4
16		***5/8"-11 UNC Hex Locknut	4	33	91202-001	Roller Thrust Bearing	2
17	94333-003	Shock Absorber Spacer	2	34	60236-004	1/2"-13 UNC Socket Head Cap Screw	4
	94134-000	Top Pad / Axle Stop Assembly, Includes Key Nos. 18-19		Not Shown	60937-000	Loctite® (Red) Compound Tube	1
18		*Top Pad	2		60961-069	Stop Bolt Service Kit, One Side , Includes Key Nos. 35-36	
19		*Rubber Axle Stop	2	35		*1/2"-13 UNC Square Head Bolt	2
	91430-087	U-bolt Service Kit, One Side , Includes Key No. 20 and Kit No. 48718-504		36		*1/2"-13 UNC Hex Jam Nut	2
20		*5/8"-18 UNF x 6 1/2" Square U-bolt	4	37	91226-006	Tie Rod Assembly, Includes Key Nos. 38-40	1
	48718-504	U-bolt Fastener Service Kit, One Side , Includes Key Nos. 21-22			34013-499	Tie Rod End Service Kits Axle Set , Includes Left Hand and Right Hand Kits	
21		*5/8" Flat Washer	8		34013-500	Left Hand , Includes Key Nos. 38, 40-41	
22		*5/8"-18 UNF Hex High Nut	8		34013-501	Right Hand , Includes Key Nos. 39-41	
		STEERTEK™ Axle Assembly Includes Key Nos. 23-41	1			Tie Rod End, Includes Key No. 40	
	95462-001	178" Wheelbase		38	91226-101	Left Hand	1
	95462-002	208" Wheelbase		39	91226-102	Right Hand	1
23	94166-003M	Axle & Kingpin Assembly Upper Steering Knuckle Assembly, Includes Key Nos. 28-29, 31-32	1	40		*3/4" Castle Nut	2
24	93605-006	Left Hand	1	41	17800-004	Tie Rod Nut Cotter Pin	2
25	94174-001	Right Hand	1				

NOTES: Quantities specified are for the vehicle. Quantities of service kit components may vary from the amount shown in the list.

* Item included in assembly only, part not sold separately.

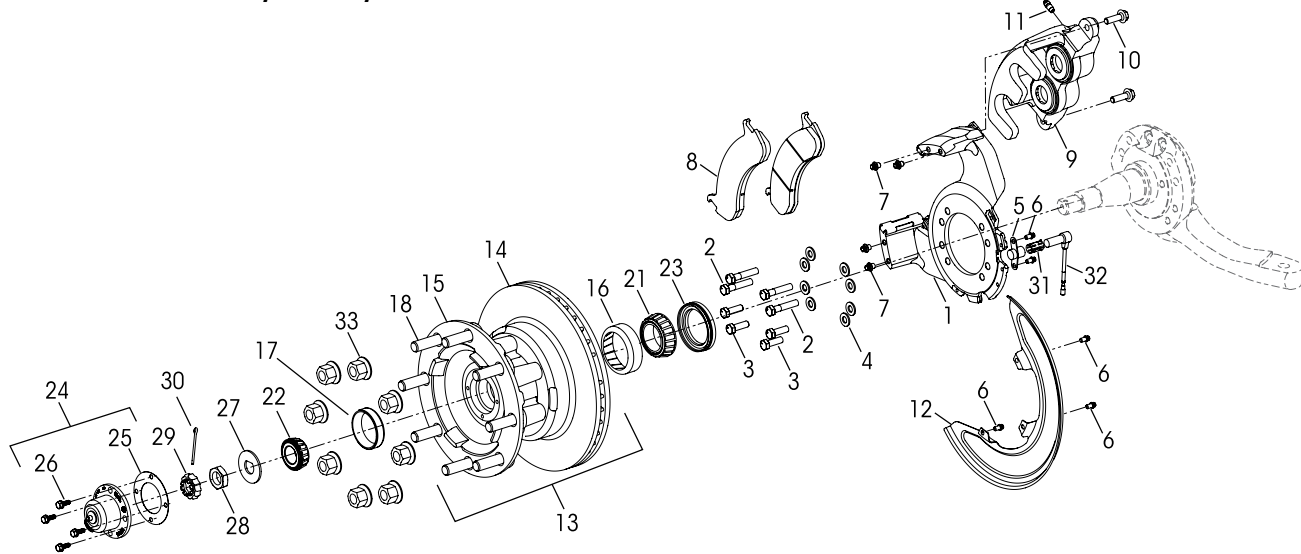
** These components are installed by Hendrickson for new production assembly but not supplied for aftermarket service purposes. Description and part number listed for reference only. For more information and assistance with service, maintenance and rebuild instructions on these components see below component manufacturers:

- **Bosch** 888.715.3616 or www.boschautoparts.com
- **DRIV Incorporated** 800.325.8886 or www.drivparts.com
- **SKF** 800.533.6563, e-mail: vsm.aftermarket.custsrv@skf.com, or www.vehicleaftermarket.skf.com
- **The Timken Company** 866.984.6536 or www.timken.com/resources
- **Webb Wheel Products** 800.633.3256 or www.webbwheel.com

*** Not supplied by Hendrickson, used for reference only. Contact the vehicle manufacturer for more information.



Wheel End Assembly with Hydraulic Disc Brakes



KEY NO.	PART NO.	DESCRIPTION	VEHICLE QTY.
1		**Bosch Torque Plate Assembly Left Hand, Part No. 0 204 002 771 Right Hand, Part No. 0 204 002 772	1 1
2	24531-004	1/2"-13 UNC x 2 1/2" Brake Mounting Hex Bolts (Primary)	8
3	24531-007	1/2"-13 UNC x 1 1/2" Brake Mounting Hex Bolts (Secondary)	8
4	22962-011	1/2" Hardened Flat Washer	16
5		**Bosch ABS Sensor Bracket Part No. 0 204 793 126	2
6		**5/16"-18 UNC x 1/2" Lobe Bolt	10
7	93274-010	M10 x 1.5 Lobe Screw	8
8	80974-000	**Bosch Brake Pads, Part No. 0 204 816 587	4
9		**Bosch Hydraulic Disc Brake Caliper Assembly, Part No. 0 204 719 661	2
10		**Bosch M12 x 1.25 x 40 Hex Bolt Part No. 0 204 062 176	4
11		**3/16" Bleeder Screw, Part No. 0 204 AJ2122	2
12		**Bosch Dust Shield, Part No. 0 204 793 130	2
13		**Webb Disc Brake Hub & Rotor Assembly, Includes Key Nos. 14-20, Part No. 25505XX5	2
14		**Disc Brake Rotor Part No. 54770F-98	2
15		**Hub Assembly Includes Key Nos. 16-17 Part No. 25501-0	2

KEY NO.	PART NO.	DESCRIPTION	VEHICLE QTY.
16		*Inner Bearing Cup	2
17		*Outer Bearing Cup	2
18		**M22 Wheel Stud 2.4" Standout Part No. 101193	16
19		**3/4" Cap Screw (Not Shown) Part No. 87511	12
20		**3/4" Flat Washer (Not Shown) Part No. 257	12
21		**The Timken Company Inner Bearing Cone Part No. JM207049A	2
22		**The Timken Company Outer Bearing Cone Part No. 25877	2
23		**DRiV Incorporated Wheel Seal Part No. 370150A	2
24		**SKF Hubcap Assembly, Part No. 1608 Includes Key Nos. 25-26	2
25		**Hubcap Gasket Part No. 453868	2
26		**Hubcap Bolts Part No. 454304	8
27		**Spindle Lock Washer	2
28	91242-000	1 1/8"-12 Spindle Nut	2
29	93288-000	Spindle Nut Lock	2
30	17800-004	Spindle Nut Cotter Pin	2
31	64624-000	ABS Sensor Clip	2
32	64623-000	ABS Sensor	2
33		***M22 x 1.5 Lug Nut	16

For all (*) see Notes on Page 3

This is a general parts list to provide directional information. Components may vary by model. Questions in regards to parts, contact Hendrickson Truck Parts at 855.743.3733 (Toll-free U.S. and Canada), 630.910.2800 (Outside U.S. and Canada) or email: truckparts@hendrickson-intl.com.

Actual product performance may vary depending upon vehicle configuration, operation, service and other factors.

All applications must comply with applicable Hendrickson specifications and must be approved by the respective vehicle manufacturer with the vehicle in its original, as-built configuration. Contact Hendrickson for additional details regarding specifications, applications, capacities, and operation, service and maintenance instructions.

Call Hendrickson at 630.910.2800 or 855.RIDERED (855.743.3733) for additional information.



www.hendrickson-intl.com

TRUCK COMMERCIAL VEHICLE SYSTEMS
800 South Frontage Road
Woodridge, IL 60517-4904 USA
855.743.3733 (Toll-free U.S. and Canada)
630.910.2800 (Outside U.S. and Canada)
Fax 630.910.2899

SP-366 Rev A 04-26

© 2026 Hendrickson USA, L.L.C. All Rights Reserved. All trademarks shown are owned by Hendrickson USA, L.L.C., or one of the affiliates, in one or more countries. Information contained in this literature was accurate at the time of publication. Product changes may have been made after the copyright date that are not reflected.

Printed in United States of America