

TIREMAAX®

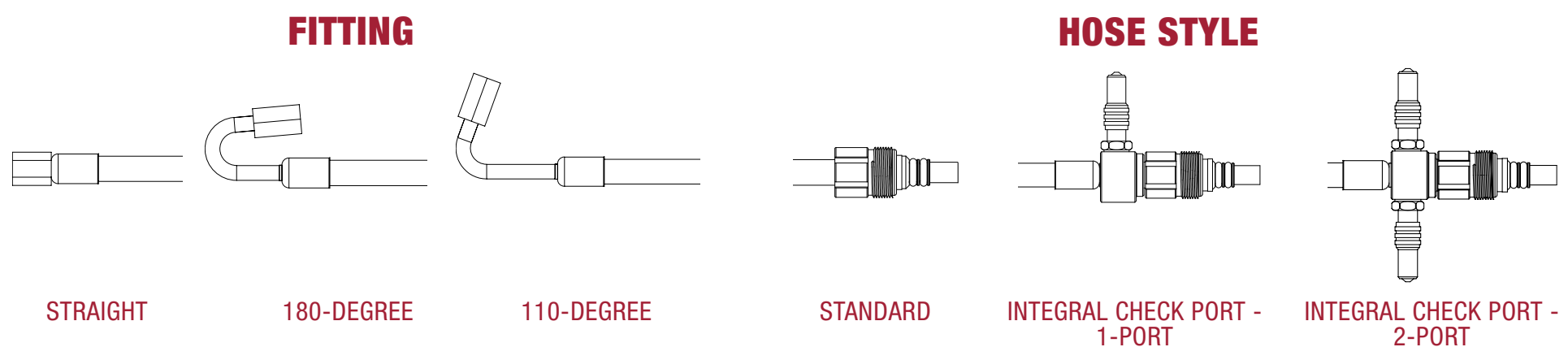
Thermoplastic Tire Hoses

The below chart summarizes the standard TIREMAAX Thermoplastic Tire Hose part numbers by wheel combination, length and identification label color.

HOSE STYLE	WHEEL STYLE	TIRE SIZE	WHEEL MATERIAL	POSITION	FITTING	PART NO.	LENGTH "L"	ID LABEL COLOR			
Standard	Dual	17.5"	Alum, Steel or Combo	Inner	Straight	VS-33767-4	12.8"	Bright Pink			
				Outer	180-Degree	VS-33769-3	9.3"	Tan			
		19.5"	Alum	Inner	Straight	VS-33767-4	12.8"	Bright Pink			
				Outer	180-Degree	VS-33769-1	11.0"	White			
			Steel or Combo	Inner	Straight	VS-33767-2	14.5"	Blue			
				Outer	180-Degree	VS-33769-3	9.3"	Tan			
		22.5"	Alum	Inner	Straight	VS-33767-5	14.0"	Pink			
				Outer	180-Degree	VS-33769-1	11.0"	White			
			Steel or Combo	Inner	Straight	VS-33767-1	15.5"	Green			
				Outer	180-Degree	VS-33769-1	11.0"	White			
			*Alcoa ULT36 All Alum	Inner	Straight	VS-33767-2	14.5"	Blue			
				Outer	110-Degree	VS-41701-1	10.3"	Yellow			
		24.5"	Alum	Inner	Straight	VS-33767-2	14.5"	Blue			
				Outer	180-Degree	VS-33769-2	12.6"	Orange			
			Steel or Combo	Inner	Straight	VS-33767-1	15.5"	Green			
				Outer	180-Degree	VS-33769-1	11.0"	White			
		Super Single	22.5"	**Alum	Outward Facing Stem	Straight	VS-33767-6	9.3"	Purple		
				Steel	Outward Facing Stem	Straight	VS-33767-3	11.2"	Red		
	Inward Facing Stem				180-Degree	VS-33769-1	11.0"	White			
	Integral Check Port - 1-Port	Dual	22.5"	Alum	Inner	Straight	VS-40176-2	14.0"	Pink / White Stripe		
Outer					180-Degree	VS-40177-1	11.7"	Grey / White Stripe			
Steel or Combo				Inner	Straight	VS-40176-3	16.0"	Green / White Stripe			
				Outer	180-Degree	VS-40177-1	11.7"	Grey / White Stripe			
*Alcoa ULT36 All Alum				Inner	Straight	VS-40176-4	15.0"	Blue / White Stripe			
				Outer	110-Degree	VS-41748-1	11.8"	Yellow / White Stripe			
Super Single		22.5"	**Alum	Outward Facing Stem	Straight	VS-40176-5	9.3"	Purple / White Stripe			
			Steel	Outward Facing Stem	Straight	VS-40176-1	11.7"	Red / White Stripe			
				Inward Facing Stem	180-Degree	VS-40177-1	11.7"	Grey / White Stripe			
			Integral Check Port - 2-Port	Dual	22.5"	Alum	Inner	Straight	VS-41546-2	14.0"	Pink / White Stripe
							Outer	180-Degree	VS-41547-1	11.7"	Grey / White Stripe
						Steel or Combo	Inner	Straight	VS-41546-3	16.0"	Green / White Stripe
Outer	180-Degree	VS-41547-1					11.7"	Grey / White Stripe			
*Alcoa ULT36 All Alum	Inner	Straight				VS-41546-4	15.0"	Blue / White Stripe			
	Outer	110-Degree				VS-41749-1	11.8"	Yellow / White Stripe			
Super Single	22.5"	*Alcoa ULT36 Steel Combo		Inner	Straight	VS-41546-3	16.0"	Green / White Stripe			
				Outer	110-Degree	VS-41749-1	11.8"	Yellow / White Stripe			
		**Alum		Outward Facing Stem	Straight	VS-41546-5	9.3"	Purple / White Stripe			
		Steel		Outward Facing Stem	Straight	VS-41546-1	11.7"	Red / White Stripe			
				Inward Facing Stem	180-Degree	VS-41547-1	11.7"	Grey / White Stripe			

* Hendrickson recommends grommets in each hand hole of the ULT36 wheel (ref VS-41770)

** For aluminum zero-offset wheels with outward facing stem contact Hendrickson Engineering for applications support



STRAIGHT

180-DEGREE

110-DEGREE

STANDARD

INTEGRAL CHECK PORT - 1-PORT

INTEGRAL CHECK PORT - 2-PORT

Actual product performance may vary depending upon vehicle configuration, operation, service and other factors. All applications must comply with applicable Hendrickson specifications and must be approved by the respective vehicle manufacturer with the vehicle in its original, as-built configuration. Contact Hendrickson for additional details regarding specifications, applications, capacities, operation, service and maintenance instructions.

Call Hendrickson at 330.489.0045 or 866.RIDEAIR (743.3247) for additional information.



TRAILER COMMERCIAL VEHICLE SYSTEMS
2070 Industrial Place SE
Canton, OH 44707-2641 USA
866.RIDEAIR (743.3247)
Fax 800.696.4416

HENDRICKSON CANADA ULC
2825 Argentina Road, Unit #1 - 4
Mississauga, ON Canada L5N 8G6
800.668.5360
905.789.1030 • Fax 905.812.9423

HENDRICKSON MEXICANA
Circuito El Marqués Sur #29
Parque Industrial El Marqués
Pob. El Colorado, Municipio El Marqués,
Querétaro, México CP 76246
+52 442.296.3600 • Fax +52 442.296.3601