

# **H** PARTS LIST

## ULTIMAAX® Rear Suspension for International Truck Vehicles

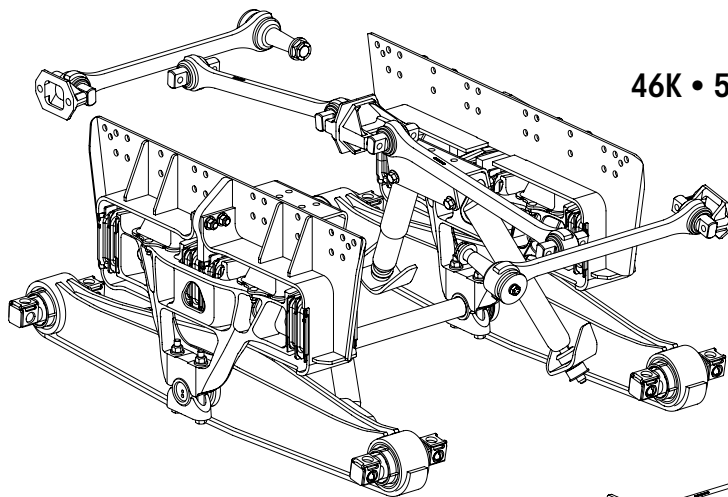
LIT NO: SP-317

DATE: April 2025

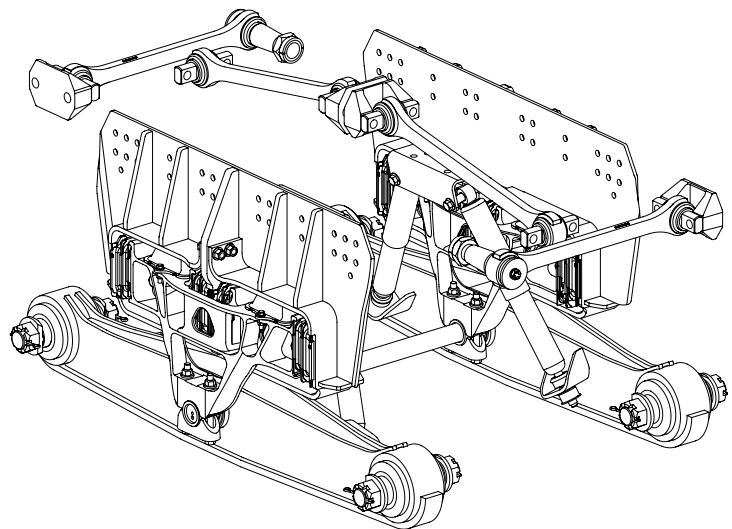
REVISION: B

### CONTENTS

DESCRIPTION	PAGE
Parts List	
■ 46K • 52K lb. Capacity . . . . .	2
■ 60K lb. Capacity . . . . .	4
Aftermarket Shock Absorber Service Kit . . . . .	6
Special Tools . . . . .	7



46K • 52K lb. Capacity



60K lb. Capacity





KEY NO.	PART NO.	DESCRIPTION	VEHICLE QTY.	KEY NO.	PART NO.	DESCRIPTION	VEHICLE QTY.
1	78489-540	Equalizing Beam Assembly with Shock Bracket 54" Beam Length, Includes Key Nos. 3-4	2	11		*Progressive Load Spring	4
	60961-759	<b>Cross Tube Service Kit</b> , Includes Key No. 2 and Weldable Loose Plug (Not Shown)		a		Tractor	
2	44642-008	Cross Tube - 1140 mm	1	b		Truck	
	60961-755	<b>Equalizing Beam Bushings Service Kit, One Beam</b> , Includes Key No. 3-4, 6-8, 18-20			34013-196	<b>Progressive Load Spring Fasteners Service Kit, One Side</b> Tractor, Includes Key Nos. 12a-13	
3	69538-000L	Center Bushing	2		60961-812	Truck, Includes Key Nos. 12b-13	
	60961-752	<b>End Bushing Service Kit, One Wheel End</b> , Includes Key Nos. 4-8		12		*M10 x 1.5 x 6G Bolt	8
4		*Bar Pin End Bushing Assembly, Includes Key No. 5a		a		Tractor, Flange Bolt, 40 mm	
5		Bar Pin Shim	8	b		Truck, Round Head Square Neck Bolt, 35 mm	
a	50130-000	0.19" / 0.19" Standard		13		*M10 x 1.5 Flange Locknut	8
b	50131-000	0.25" / 0.12" Optional		14	70886-000	Saddle Assembly	4
c	57026-000	0.375" Optional flat shim			34013-197	<b>Saddle Only Fasteners Service Kit, One Side</b> , Includes Key Nos. 15-16	
		<b>End Bushing Fasteners Service Kit</b> , Includes Key Nos. 6-8		15		*M20 x 1.5 x 75 mm Flange Bolt	8
	56659-001	Tandem		16		*M20 x 1.5 Flange Nut	8
	56659-005	One Beam		17	77205-001	Saddle Cap	4
	34013-104	One Wheel End			60961-768	<b>Saddle Cap Fasteners Service Kit, One Side</b> , Includes Key Nos. 18-20	
6		*1"-8 UNC x 6" Bolt	8	18		*M16 x 2 x 6G x 180 mm Flange Bolt	8
7		*1" Hardened Washer	16	19		*M16 Flat Washer	8
8		*1"-8 UNC Locknut	8	20		*M16 x 2 x 6H Nut	8
9		Frame Hanger, 34.75" Width, 9.5" Ride Height	2	21		**Shock Absorber	4
	80579-002	46K, 7" Axle Drop, 16" Saddle Height		a	60680-015L	46K	
	80579-003	52K, 7" Axle Drop, 16" Saddle Height		b	60680-016L	52K	
	80579-004	52K, 7¾" Axle Drop, 16¾" Saddle Height		22	77591-006	Upper Shock Bracket	2
		<b>Shear and Progressive Load Spring Service Kit, One Side</b>			60961-818	<b>Upper Shock Fasteners Service Kit, One Beam</b> , Includes Key Nos. 23-24	
	60961-749	Tractor, Includes Key Nos. 10, 11a, 12a, 13, 15-16, 18-20, 29		23		*M16 x 2 x 140 mm Flange Bolt	4
	60961-771	Truck, Includes Key Nos. 10, 11b, 12b, 13, 15-16, 18-20, 29		24		*M16 x 2 Flange Nut	4
	60961-750	<b>Shear Spring Service Kit, One Hanger</b> Includes Key Nos. 10, 15-16, 18-20, 29		25	8240-0001-XXX	***Longitudinal Heavy-duty TRAAX ROD™ Assembly, Straddle/Straddle, Specify Length in mm	2
10		*Shear Spring	8	26	8244-0099-XXX	****Transverse Heavy-duty TRAAX ROD Assembly, Straddle/Taper, Specify Length in mm	2
		<b>Progressive Load Spring Service Kit, One Side</b>		27	22186-000	Torque Rod Frame Bracket	4
	60961-751	Tractor, Includes Key Nos. 11a, 12a, 13		28	49689-000L	Torque Rod Shim	As Req.
	60961-822	Truck, Includes Key Nos. 11b, 12b, 13		29	70867-001	P-80 Lubricant - 10 ml (Not Shown)	As Req.

**NOTES:** Quantities specified are for the vehicle. Quantities of service kit components may vary from amount shown in the list.

Longitudinal and Transverse TRAAX Rod bushings are non-serviceable, the entire torque rod assembly requires replacement. Visit TRAAX ROD website [www.traaxrods.com](http://www.traaxrods.com) for more information.

\* Item included in kit/assembly only, part not sold separately.

\*\* Shock absorbers are mandatory for the tractor applications and optional for truck applications.

\*\*\* Longitudinal torque rod length may vary depending on the desired pinion angles for the axles and vehicle configuration.

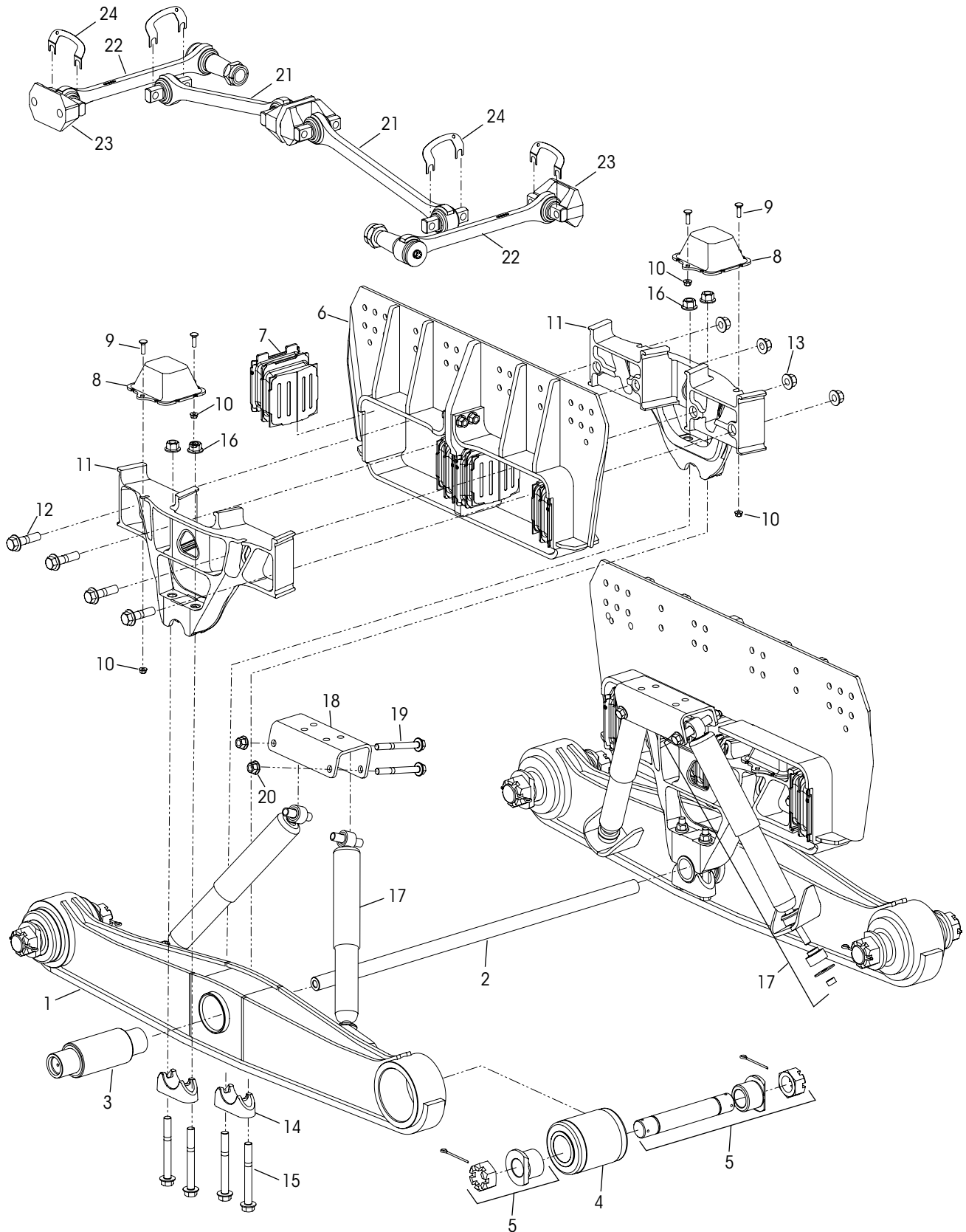
\*\*\*\* Transverse torque rods are mandatory for the ULTIMAAX rear suspension regardless of axle spacing. Transverse torque rod length may vary depending on the axle type and axle bracket.

**Hendrickson Lit. Nos. 48422-592** (Tractor PLS 77382-001) and **48422-598** (Truck PLS 78897-001) – ULTIMAAX Gauge Card can be used to measure in unloaded condition (1) the height of the progressive load spring (PLS) and (2) the length of cut / split of the shear spring and PLS available online at [www.hendrickson-intl.com/tools/gauge-request-form](http://www.hendrickson-intl.com/tools/gauge-request-form)



60K lb. Capacity

12" Ride Height





KEY NO.	PART NO.	DESCRIPTION	VEHICLE QTY.	KEY NO.	PART NO.	DESCRIPTION	VEHICLE QTY.
1	78634-560	Equalizing Beam Assembly, 56" Beam Length Includes Key Nos. 3-4	2	9		*M10 x 1.5 x 6G x 35 mm Round Head Square Neck Bolt	8
	60961-759	<b>Cross Tube Service Kit</b> , Includes Weldable Loose End Plug (Not Shown), Includes Key No. 2		10		*M10 x 1.5 Flange Locknut	8
2	44642-008	Cross Tube, 1140 mm	1	11	80964-001M	Saddle Assembly	4
	34013-290	<b>Equalizing Beam Bushings Service Kit, One Beam</b> , 6" Bushing, Includes Key No. 3-5, 15-16			34013-197	<b>Saddle Only Fasteners Service Kit, One Side</b> , Includes Key Nos. 12-13	
3	69538-000L	Center Bushing Assembly, Includes End Plug	2	12		*M20 x 1.5 x 75 mm Flange Bolt	8
	34013-052	<b>End Bushing and Adapter Service Kits, One Wheel End</b> , Includes Key No. 4-5		13		*M20 x 1.5 Flange Nut	8
4	10363-000L	End Bushing, 6" Bushing	4	14	80965-001	Saddle Cap	4
5	21140-007	End Bushing Adapter Assembly	4		60961-879	<b>Saddle Cap Fasteners Service Kit, One Side</b> , Includes Key Nos. 15-16	
6	94901-001	Frame Hanger, 34.75" Frame Width, 12" Ride Height, 19.25" Saddle Height, 7.75" Axle Drop	2	15		*M20 x 1.5 x 175 mm Flange Bolt	8
	60961-876	<b>Shear and Progressive Load Spring Service Kit, One Side</b> , Includes Key Nos. 7-10, 12-13, 15-16, 25		16		*M20 x 1.5 Flange Locknut	8
	60961-877	<b>Shear Spring Service Kit, One Side</b> Includes Key Nos. 7, 12-13, 15-16, 25		17	60680-016L	**Shock Absorber	4
7		*Shear Spring	8	18	77591-007	Upper Shock Bracket	2
	60961-822	<b>Progressive Load Spring Service Kit, One Side</b> Includes Key Nos. 8-10			60961-818	<b>Upper Shock Fasteners Service Kit, One Beam</b> , Includes Key Nos. 19-20	
8		*Progressive Load Spring	4	19		*M16 x 2 x 140 mm Flange Bolt	4
	60961-812	<b>Progressive Load Spring Fasteners Service Kit, One Side</b> , Includes Key Nos. 9-10		20		*M16 x 2 Flange Nut	4
				21	8232-0202-XXX	***Longitudinal Severe-duty TRAAX ROD™ Assembly, Straddle/Straddle	2
				22	8236-0099-XXX	****Transverse Severe-duty TRAAX ROD Assembly, Straddle/Taper	2
				23	46015-000	Torque Rod Frame Bracket	4
				24	49689-000L	Torque Rod Shim	As Req.
				25	70867-001	P-80 Lubricant - 10 ml (Not Shown)	As Req.

**NOTES:** Quantities specified are for the vehicle. Quantities of service kit components may vary from amount shown in the list.

Longitudinal and Transverse TRAAX Rod bushings are non-serviceable, the entire torque rod assembly requires replacement. Visit TRAAX ROD website [www.traaxrods.com](http://www.traaxrods.com) for more information.

\* Item included in kit/assembly only, part not sold separately.

\*\* Shock absorbers are mandatory for the tractor applications and optional for truck applications.

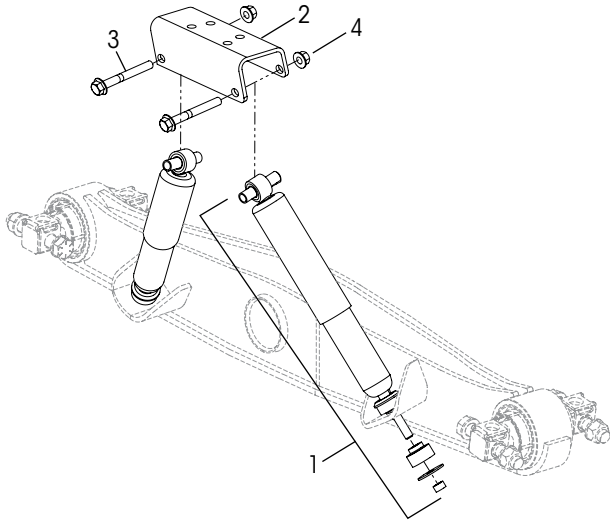
\*\*\* Longitudinal torque rod length may vary depending on the desired pinion angles for the axles and vehicle configuration.

\*\*\*\* Transverse torque rods are mandatory for the ULTIMAAX rear suspension regardless of axle spacing. Transverse torque rod length may vary depending on the axle type and axle bracket.

**Hendrickson Lit. No. 48422-598** (PLS 78897-001) – ULTIMAAX Gauge Card can be used to measure in unloaded condition (1) the height of the progressive load spring (PLS) and (2) the length of cut/split of the shear spring and PLS. Gauge card can be obtained online at [www.hendrickson-intl.com/tools/gauge-request-form](http://www.hendrickson-intl.com/tools/gauge-request-form)

■ Aftermarket Service Kits

Service Kit No.	Aftermarket Shock Absorber
34013-304 - 46K	Axle Set
34013-305 - 52K	for Truck•Tractor Applications
34013-540 - 60K	



KEY NO.	PART NO.	DESCRIPTION	KIT QTY.
1		*Shock Absorber	4
2		*Upper Shock Bracket	2
3		*M16 x 2 x 140 mm Flange Bolt	4
4		*M16 x 2 Flange Nut	4

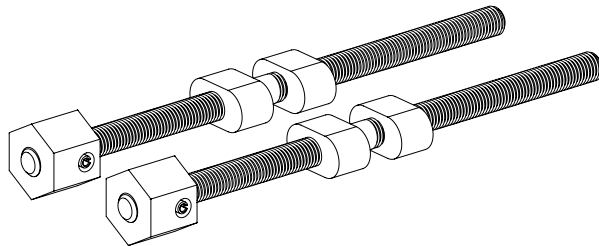
NOTES: \* Item included in kit/assembly only, part not sold separately.



■ Special Tools

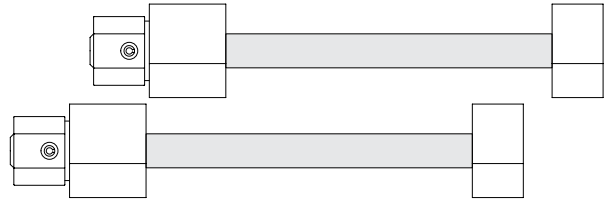
**SADDLE DISASSEMBLY TOOL**

Hendrickson Part No. 66086-113L



**SADDLE ASSEMBLY TOOL**

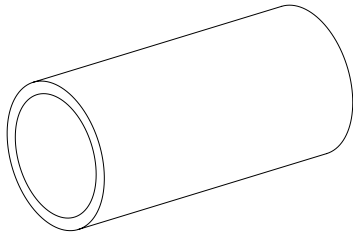
Hendrickson Part No. 66086-108L



**CENTER BUSHING TOOLS**

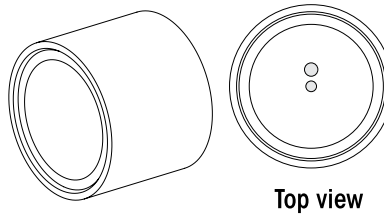
**RECEIVING TOOL**

Hendrickson Part No. 66086-112



**INSTALLATION TOOL**

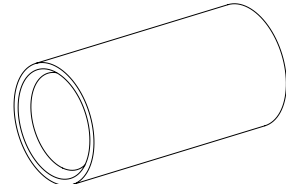
Hendrickson Part No. 66086-107



Top view

**REMOVAL TOOL**

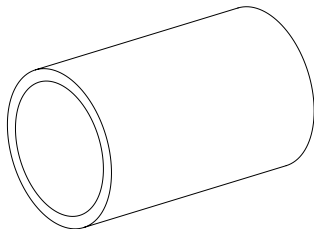
Hendrickson Part No. 66086-110



**BAR PIN STYLE END BUSHING TOOLS – 46K • 52K lb. Capacity**

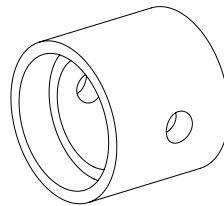
**RECEIVING TOOL**

Hendrickson Part No. 66086-111



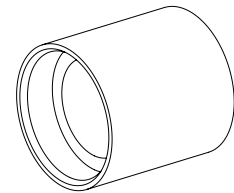
**INSTALLATION TOOL**

Hendrickson Part No. 66086-106



**REMOVAL TOOL**

Hendrickson Part No. 66086-109



**ADAPTER STYLE END BUSHING TOOLS – 60K lb. Capacity**

OTC Part No. 1763

Visit [otctools.com](http://otctools.com)

No longer available, contact Hendrickson Truck Parts for available options.



This is a general parts list to provide directional information. Components may vary by model. Questions in regards to parts, contact Hendrickson Truck Parts at 855.743.3733 (Toll-free U.S. and Canada), 630.910.2800 (Outside U.S. and Canada) or email: [truckparts@hendrickson-intl.com](mailto:truckparts@hendrickson-intl.com).  
Actual product performance may vary depending upon vehicle configuration, operation, service and other factors.  
All applications must comply with applicable Hendrickson specifications and must be approved by the respective vehicle manufacturer with the vehicle in its original, as-built configuration.  
Contact Hendrickson for additional details regarding specifications, applications, capacities, and operation, service and maintenance instructions.

*Call Hendrickson at **630.910.2800** or **855.RIDERED (855.743.3733)** for additional information.*



[www.hendrickson-intl.com](http://www.hendrickson-intl.com)

SP-317 Rev B 04-25

© 2018 – 2025 Hendrickson USA, L.L.C. All Rights Reserved. All trademarks shown are owned by Hendrickson USA, L.L.C., or one of the affiliates, in one or more countries.

Information contained in this literature was accurate at the time of publication. Product changes may have been made after the copyright date that are not reflected.

**TRUCK COMMERCIAL VEHICLE SYSTEMS**

800 South Frontage Road  
Woodridge, IL 60517-4904 USA  
855.743.3733 (Toll-free U.S. and Canada)  
630.910.2800 (Outside U.S. and Canada)  
Fax 630.910.2899

**HENDRICKSON MEXICANA**

Circuito El Marqués Sur #29  
Parque Industrial El Marqués  
Pob. El Colorado, Municipio El Marqués  
Querétaro, México C.P. 76246  
+52 (442) 296.3600 • Fax +52 (442) 296.3601

Printed in United States of America