

H PARTS LIST

HT230 TOP-MOUNT

LIT NO: L38

DATE: July 2023

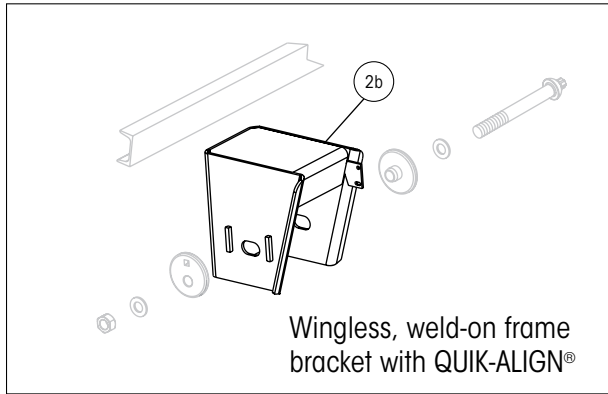
REVISION: H



HT230 TOP-MOUNT PARTS LIST

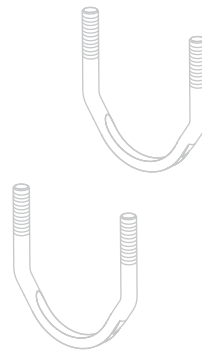
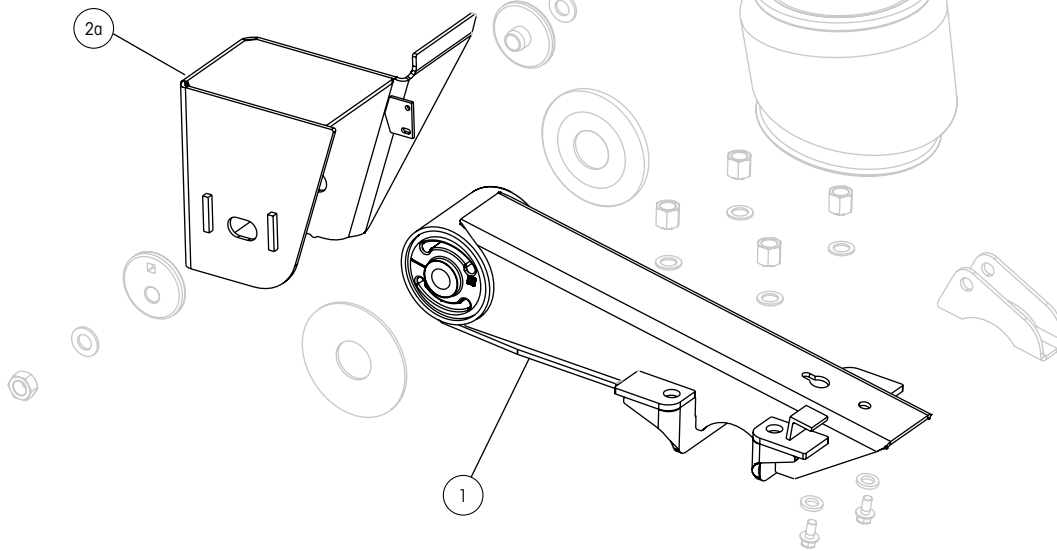


Picture shown may not resemble all models.



Wingless, weld-on frame bracket with QUIK-ALIGN®

Winged, weld-on frame bracket with QUIK-ALIGN





HT230 TOP-MOUNT PARTS LIST

ITEM	DESCRIPTION	PART NO.	QTY. PER SUSP.	FITS MODELS		
				HT230 ? or N-HT230 ?		
1	BEAM ASSEMBLY¹					
	Roadside	S-20000-1	1	Fits all models unless shown below		
	Curbside	S-20000-2	1			
	Roadside	S-21736-1	1	TA14-601	TB14-601	
	Curbside	S-21736-2	1			
	Roadside	S-27614-1	1	TA15-522	TA17-522	
	Curbside	S-27614-2	1			
2	FRAME BRACKET					
	2a Winged, Weld-on, QUIK-ALIGN®					
	Roadside	S-21165-1	1	TA15-525	TA16-001	TA16-004
	Curbside	S-21165-2	1	TA16-007	TA17-001	TA17-003
				TA17-007	TA17-013	TA17-026
				TA17-517	TA17-522	
	Roadside	S-21179-1	1	TA14-001	TA14-004	TA14-007
	Curbside	S-21179-2	1	TA14-020	TA14-021	TA14-520
				TA14-601	TA14-701	TA15-001
				TA15-003	TA15-007	TA15-009
				TA15-012	TA15-016	TA15-018
				TA15-026	TA15-517	TA15-522
				TA15-523	TA15-524	TA15-601
				TA15-701		
	Roadside	S-21179-3	1	TA15-016		
	Curbside	S-21179-4	1			
	Roadside	S-21193-1	1	TA19-001		
	Curbside	S-21193-2	1			
	Roadside	S-21249-1	1	TA14-008	TA15-008	TA15-025
	Curbside	S-21249-2	1			
	Roadside	S-21250-1	1	TA17-008		
	Curbside	S-21250-2	1			
	2b Wingless, Weld-on, QUIK-ALIGN					
	Roadside	S-21590-1	1	TB14-001	TB14-021	TB14-022
	Curbside	S-21590-2	1	TB14-024	TB14-701	TB15-001
				TB15-003	TB15-009	TB15-020
				TB15-026	TB15-027	TB15-028
	Roadside	S-21592-1	1	TB14-033	TB16-001	TB16-004
	Curbside	S-21592-2	1	TB16-024	TB16-026	TB17-001
				TB17-003	TB17-009	TB17-024
				TB17-026		
	Roadside	S-22420-1	1	TB15-025		
	Curbside	S-22420-2	1			
	Roadside	S-23461-1	1	TB19-001		
	Curbside	S-23461-2	1			
	2c Winged, Bolt-on, QUIK-ALIGN (Not Shown)					
	Roadside	S-21204-1	1	TA14-002	TA15-002	TA15-004
	Curbside	S-21204-2	1	TA15-011		
	Roadside	S-21205-1	1	TA16-002	TA17-002	
	Curbside	S-21205-2	1			
	Roadside	S-21332-1	1	-18-052		
	Curbside	S-21332-2	1			
	Roadside	S-25812-1	1	TA14-070	TA15-071	TB14-070
	Curbside	S-25812-2	1			
	Roadside	S-24912-1	1	TA15-036		
	Curbside	S-24912-2	1			

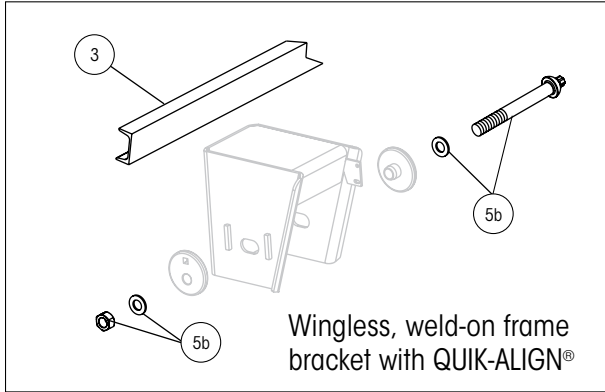
1. Lower shock clevis (item #13) is included with beam assembly.

NOTE: Identification tag can be found on the front of the roadside frame bracket or the inside of the curbside beam.

HT230 TOP-MOUNT PARTS LIST

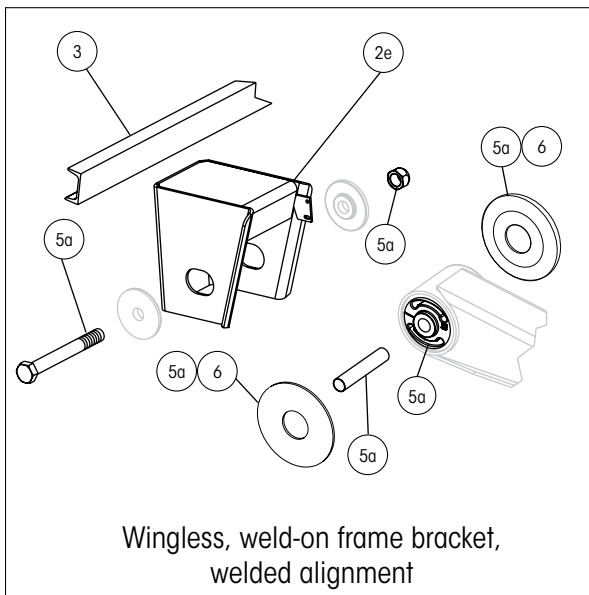
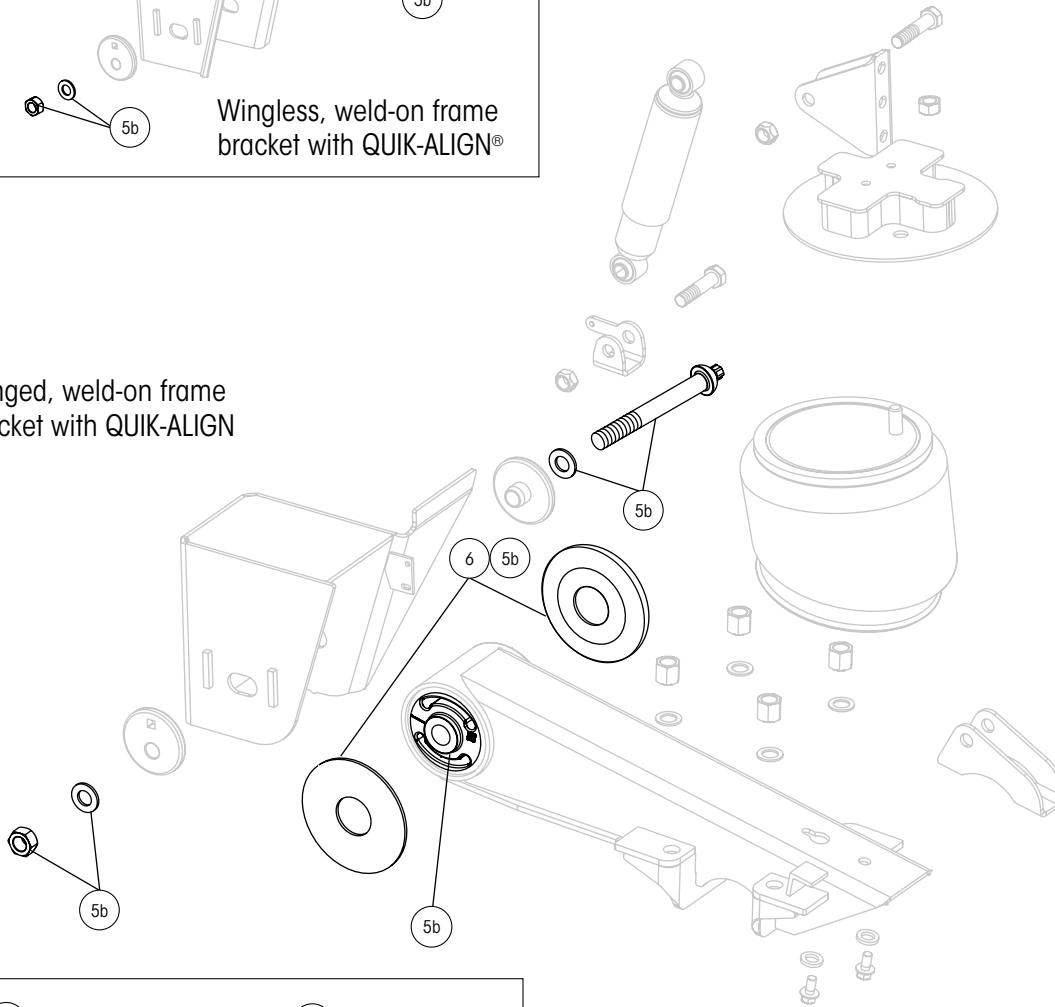


Picture shown may not resemble all models.



Wingless, weld-on frame bracket with QUIK-ALIGN®

Winged, weld-on frame bracket with QUIK-ALIGN



Wingless, weld-on frame bracket, welded alignment



HT230 TOP-MOUNT PARTS LIST

ITEM	DESCRIPTION	PART NO.	QTY. PER SUSP.	FITS MODELS HT230 ? or N-HT230 ?		
2d	Wingless, Bolt-on, QUIK-ALIGN® (Not Shown)					
	Roadside	S-22137-1	1	TB14-002	TB15-002	
	Curbside	S-22137-2	1			
	Roadside	S-22138-1	1	TB16-002	TB17-002	TB18-002
	Curbside	S-22138-2	1			
	Roadside	S-25494-1	1	TB14-071	TB15-071	
	Curbside	S-25494-2	1			
2e	Wingless, Weld-on, Welded Alignment					
	Roadside	S-20047-1	1	-14-008	-15-008	-15-025
	Curbside	S-20047-2	1			
	Roadside	C-20048-1	1	-16-008	-17-008	
	Curbside	C-20048-2	1			
	Roadside	S-20064-1	1	-14-001	-14-004	-14-005
	Curbside	S-20064-2	1	-14-007	-14-017	-14-020
				-14-021	-14-024	-15-001
				-15-003	-15-005	-15-006
				-15-007	-15-009	-15-012
				-15-017	-15-020	-15-026
				-15-027	-15-028	-15-517
	Roadside	S-20065-1	1	-16-001	-16-004	-16-005
	Curbside	S-20065-2	1	-16-006	-16-007	-16-009
				-16-024	-16-026	-17-001
				-17-003	-17-005	-17-006
				-17-007	-17-009	-17-012
				-17-017	-17-022	-17-023
				-17-024	-17-026	-17-517
	Roadside	S-14190-1	1	-19-001	-19-027	
	Curbside	S-14190-2	1			
2f	Wingless, Bolt-on, Welded Alignment (Not Shown)					
	Roadside	S-20007-1	1	-14-002	-14-011	-15-002
	Curbside	S-20007-2	1	-15-004	-15-011	-15-032
				-16-021		
	Roadside	S-20008-1	1	-16-002	-16-010	-17-002
	Curbside	S-20008-2	1	-17-004	-17-011	-17-032
	Roadside	S-20190-1	1	-19-004		
	Curbside	S-20190-2	1			
	Roadside	S-20396-1	1	-19-002		
	Curbside	S-20396-2	1			
3	FRAME BRACKET C-CHANNEL	A-1631-19	1	Used on all wingless frame brackets and with 19" winged frame brackets		
4	FRAME BRACKET GUSSET (Not Shown)	S-27330	2	Used on most winged frame brackets excluding 19" ride height		
5	TRI-FUNCTIONAL® II BUSHING KIT²					
5a	Welded Alignment	S-6914	2	Includes bushing, bushing tube spacers, cap screw, prevailing torque hex nut, liner and lube		
5b	QUIK-ALIGN	S-24691	2	Includes bushing, bushing tube spacers, round head bolt, prevailing torque hex nut, hardened washers and lube		
6	BUSHING TUBE SPACER	S-21099	4	All models		

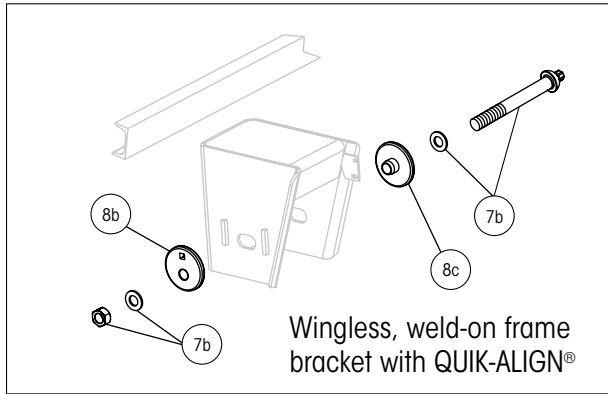
2. Bushing tool S-21307 is required to correctly re-bush the suspension.

NOTE: Identification tag can be found on the front of the roadside frame bracket or the inside of the curbside beam.

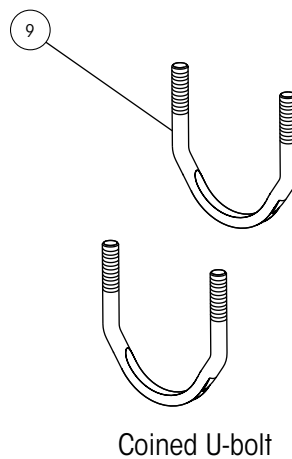
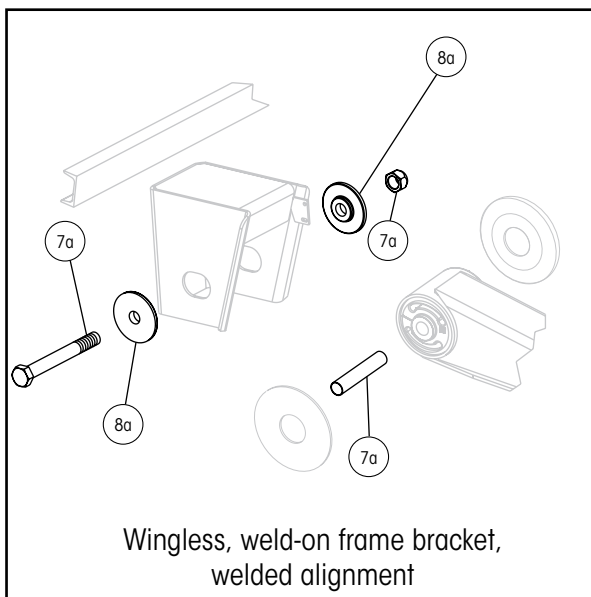
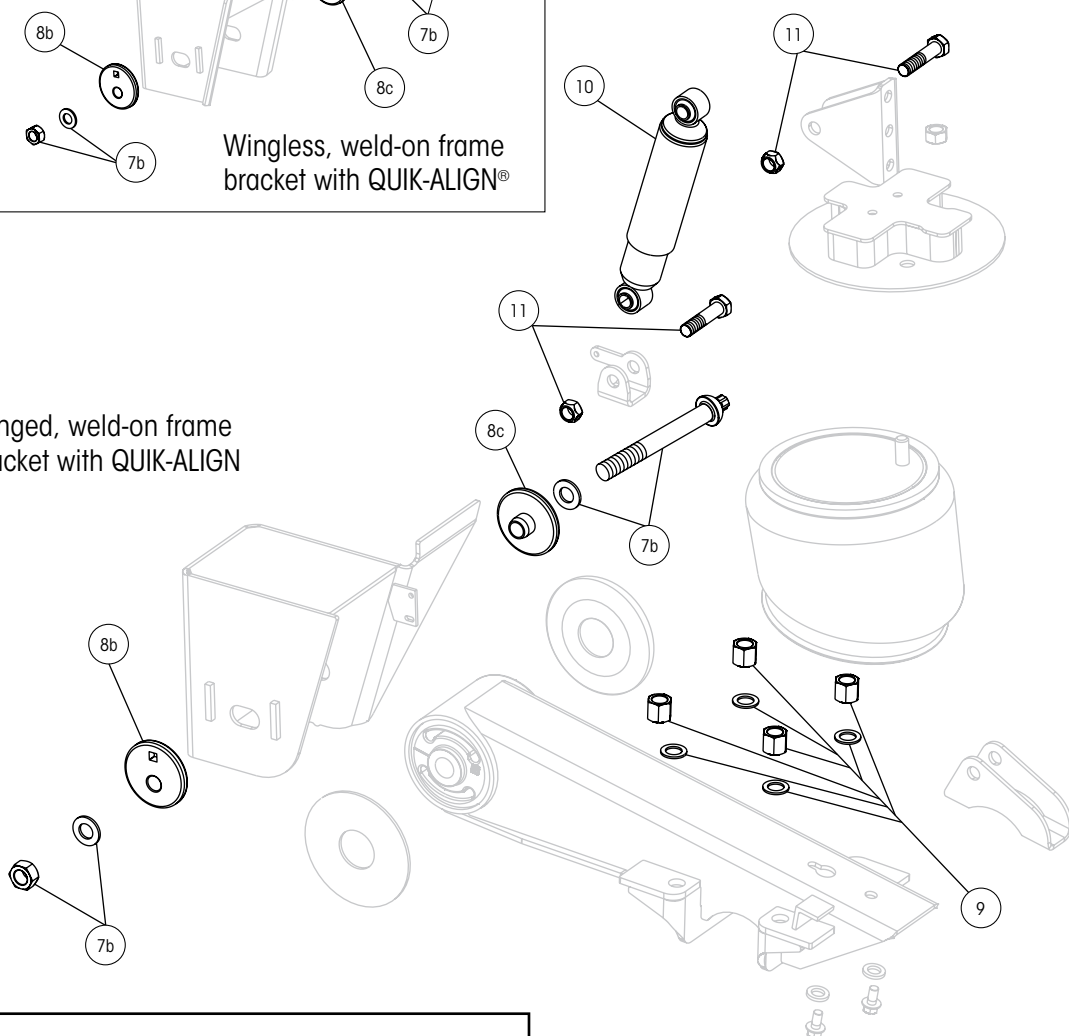
HT230 TOP-MOUNT PARTS LIST



Picture shown may not resemble all models.



Winged, weld-on frame bracket with QUIK-ALIGN

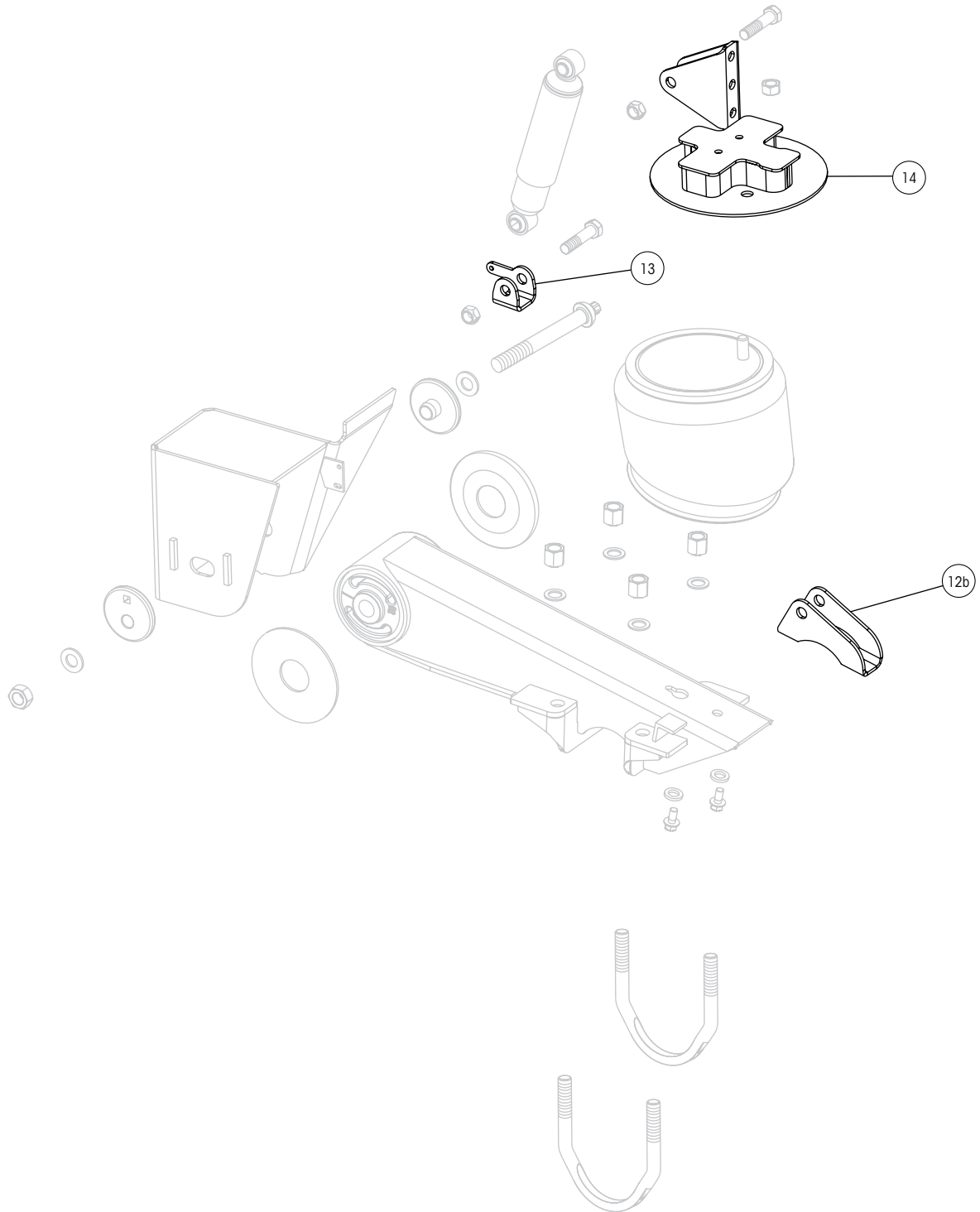




HT230 TOP-MOUNT PARTS LIST

ITEM	DESCRIPTION	PART NO.	QTY. PER SUSP.	FITS MODELS HT230 ? or N-HT230 ?		
7	PIVOT BOLT KIT					
	7a Welded Alignment	S-3646	2	Includes cap screw, prevailing torque hex nut and liner		
	7b QUIK-ALIGN®	S-24679	2	Includes round head bolt, hardened washers and prevailing torque hex nut		
8	ALIGNMENT COLLARS					
	8a Welded Alignment	S-2770	4	Collars are welded to frame bracket		
	8b Eccentric, QUIK-ALIGN (outer)	S-20925	2	Alignment hole is off center		
	8c Concentric, QUIK-ALIGN (inner)	S-20924	2	Alignment hole is centered		
9	U-BOLT KIT	S-21140 / 4	4	Includes (1) stepped U-bolt and hardware. Axle spacer is not needed with stepped U-bolt.		
10	SHOCK ABSORBER	S-20002	2	All models except below		
		S-2160	2	-14-007	-14-011	-14-032
				-15-007	-15-011	-15-012
				-15-028	-15-032	-16-007
				-17-007	-17-011	-17-012
				-17-032	TA14-007	TA15-007
				TA15-011	TA15-012	TA16-007
				TA17-007	TB14-033	TB15-028
		S-20126	2	-14-017	-15-017	-15-517
				-17-017	-17-517	TA14-520
				TA15-517	TA17-517	
		S-2212	2	-14-020	-14-021	TA14-021
				TB14-021		
		B-23361	2	TA14-020		
		S-21699	2	TA15-522	TA15-524	TA15-525
				TA17-522		
		S-2218	2	-16-021		
11	SHOCK BOLT KIT					
	Standard HT Application	S-20031 / 2	2	Fits all models unless shown below		
	Customer Supplied Slider Application	S-20218 / 2	2	-14-003	-14-004	-15-009
				-15-010	-15-013	-15-020
				-16-003	-16-004	-17-009
				-17-010	-17-022	TA15-009
				TB14-003	TB14-601	TB15-009
				TB15-010	TB15-020	TB16-003
				TB16-004	TB17-009	TB17-010
	Customer Located Remote Shock	S-2157 / 2	2	-14-007	-14-011	-14-020
				-14-021	-14-032	-15-007
				-15-011	-15-012	-15-028
				-15-032	-16-007	-16-021
				-17-007	-17-011	-17-012
				-17-032	TA14-007	TA14-021
				TA15-007	TA15-011	TA15-012
				TA16-007	TA17-007	TB14-021
				TB14-033	TB15-028	
		S-27615 / 2	1	TA15-522	TA15-524	TA15-525
				TA16-522	TA17-522	

NOTE: Identification tag can be found on the front of the roadside frame bracket or the inside of the curbside beam.





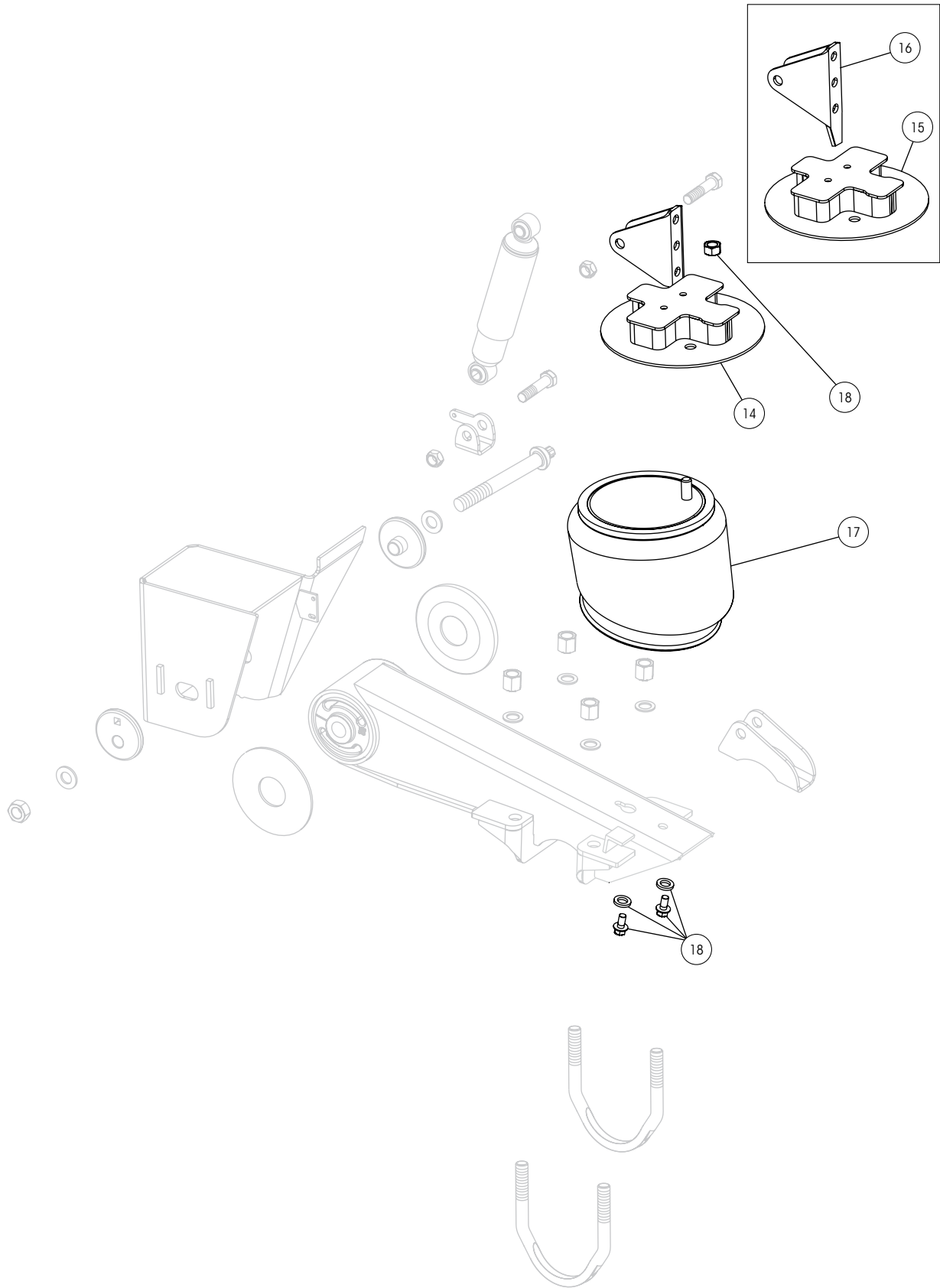
HT230 TOP-MOUNT PARTS LIST

ITEM	DESCRIPTION	PART NO.	QTY. PER SUSP.	FITS MODELS HT230 ? or N-HT230 ?		
12	REMOTE SHOCK MOUNT					
	12a Upper Assembly (Not Shown)	S-2592	2	-14-007 -15-028 -17-012 TA15-012 TB14-033	-15-007 -16-007 TA14-007 TA16-007 TB15-028	-15-012 -17-007 TA15-007 TA17-007
		S-38151	2	-14-011 -15-032 TA15-011	-14-032 -17-011	-15-011 -17-032
		S-20023	2	-15-025 TB15-025	TA15-025	TB14-022
		B-20610	2	-16-021		
	12b Lower Assembly	S-2723	2	-14-007 -15-007 -15-028 -16-021 -17-012 TA15-007 TA16-007 TB15-028	-14-011 -15-011 -15-032 -17-007 -17-032 TA15-011 TA17-007	-14-032 -15-012 -16-007 -17-011 TA14-007 TA15-012 TB14-033
13	LOWER SHOCK CLEVIS³	S-20069	2	All models		
14	AIR SPRING SHOCK MOUNT⁴			Includes air spring plate, spacer assembly and upper shock bracket		
	Roadside	C-20011-1	1	-14-001	-14-005	-14-017
	Curbside	C-20011-2	1	-14-024 -15-027 TA14-520 TA15-016 TB14-071 TB15-027	-15-003 -19-027 TA14-601 TB14-001 TB14-701 TB15-071	-15-006 TA14-020 TA15-003 TB14-024 TB15-003
	Roadside	C-20012-1	1	-15-001	-15-005	-15-017
	Curbside	C-20012-2	1	-15-517 TA15-001 TA15-701	-16-006 TA15-517 TB15-001	-16-009 TA15-522
	Roadside	C-20013-1	1	-16-001	-16-005	-16-024
	Curbside	C-20013-2	1	-17-003 TA17-003 TB17-003	-17-005 TB16-001	TA16-001 TB16-024
	Roadside	C-20014-1	1	-17-001	-17-006	-17-017
	Curbside	C-20014-2	1	-17-023 TA17-001 TA17-522	-17-024 TA17-013 TB17-001	-17-517 TA17-517 TB17-024
	Roadside	C-20015-1	1	-14-002	-14-008	-15-004
	Curbside	C-20015-2	1	TA14-002 TA15-004	TA14-008 TA15-071	TA14-070 TB14-002
	Roadside and Curbside	C-20016-1	2	-15-007 TA15-009	-15-009 TB15-009	TA15-007
	Roadside and Curbside	C-20016-2	2	-16-004 -17-022 TB16-004	-16-007 TA16-004	-17-012 TA16-007
	Roadside and Curbside	C-20016-3	2	-17-007 TB17-009	-17-009	TA17-007

3. Lower shock clevis is included with beam assembly (item #1).

4. Component may vary for slider suspensions based on slider box manufacturer. Contact Hendrickson for assistance.

NOTE: Identification tag can be found on the front of the roadside frame bracket or the inside of the curbside beam.





HT230 TOP-MOUNT PARTS LIST

ITEM	DESCRIPTION	PART NO.	QTY PER SUSP.	FITS MODELS HT230 ? or N-HT230 ?		
14	AIR SPRING SHOCK MOUNT⁴ (continued from page 9)			Includes air spring plate, spacer assembly and upper shock bracket		
	Roadside	C-20040-1	1	-15-002	-15-008	-16-010
	Curbside	C-20040-2	1	-19-002	TA15-002	TA15-008
				TA15-026	TA15-036	TB15-002
				TB15-026		
	Roadside	C-20041-1	1	-16-002	-16-008	-16-026
	Curbside	C-20041-2	1	-17-004	TA16-002	TB16-002
				TB16-026		
	Roadside	C-20042-1	1	-17-002	-17-008	-17-026
	Curbside	C-20042-2	1	-19-004	TA17-002	TA17-008
				TA17-026	TB17-002	TB17-026
				TB18-002		
	Roadside	C-20401-1	1	-19-001	TA19-001	TB19-001
	Curbside	C-20401-2	1			
	Roadside	C-21195-1	1	-18-051		
	Curbside	C-21195-2	1			
	Roadside	C-21405-1	1	-18-052		
	Curbside	C-21405-2	1			
	Roadside and Curbside	C-20043-1	2	-15-032		
15	AIR SPRING SPACER ASSEMBLY⁴	C-20016-1	2	-15-007	-15-009	TA15-007
				TA15-009	TB15-009	
		B-20037	2	14-007	14-020	14-021
				15-012	15-028	-16-021
				TA14-007	TA14-021	TA15-012
				TB14-033	TB15-028	
16	UPPER SHOCK BRACKET	S-20023	2	-15-025	TA15-025	TB14-022
				TB15-025		
17	AIR SPRING	S-20010	2	All models except below		
		S-21208	2	TA14-520	TA15-522	TA15-523
				TA15-524	TA17-522	
		S-26773	2	TA15-525		
18	AIR SPRING MOUNTING KIT	S-20033/2	2	All models except below		
		A-21251		TA14-520	TA15-522	TA15-523
				TA17-522		
		S-22907	1	TA15-525		
19	AIR SPRING MOUNTING PLATE (Not Shown)	S-20905	2	TA15-525		
		S-21258	2	TB14-022		
20	HEIGHT CONTROL VALVE (Not Shown)	VS-227	1 ⁵	Fits all models. Includes height control valve, exhaust line and spacer bracket		
21	LINKAGE ASSEMBLY (Not Shown)	S-14187	1 ⁵	Includes linkage valve assembly and hardware		
22	AUTO DUMP VALVE (Not Shown)	VS-23460	1 ⁵	Includes dump and fittings		
23	PRESSURE PROTECTION VALVE (Not Shown)	VS-1128	1 ⁵	Includes valve only		

4. Component may vary for slider suspensions based on slider box manufacturer. Contact Hendrickson for assistance.

5. Quantities for air control components per trailer.

NOTE: Identification tag can be found on the front of the roadside frame bracket or the inside of the curbside beam.

*Actual product performance may vary depending upon vehicle configuration, operation, service and other factors.
All applications must comply with applicable Hendrickson specifications and must be approved by the respective vehicle manufacturer with the vehicle in its original, as-built configuration.
Contact Hendrickson for additional details regarding specifications, applications, capacities, and operation, service and maintenance instructions.*

Call Hendrickson at 866.RIDEAIR (743.3247) for additional information.



www.hendrickson-intl.com

TRAILER COMMERCIAL VEHICLE SYSTEMS

2070 Industrial Place SE
Canton, OH 44707-2641 USA
866.RIDEAIR (743.3247)
Fax 800.696.4416

Hendrickson Canada ULC

2825 Argenta Road, Unit #2 - 4
Mississauga, ON Canada L5N 8G6
800.668.5360
905.789.1030 • Fax 905.812.9423

Hendrickson Mexicana

Circuito El Marqués Sur #29
Parque Industrial El Marqués
Pob. El Colorado, Municipio El Marqués,
Querétaro, México C.P. 76246
+52 (442) 296.3600 • Fax +52 (442) 296.3601

L38 Rev H 07-23

© 1999 – 2023 Hendrickson USA, L.L.C. All Rights Reserved. All trademarks shown are owned by Hendrickson USA, L.L.C., or one of its affiliates, in one or more countries.
Information contained in this literature was accurate at the time of publication. Product changes may have been made after the copyright date that are not reflected.

Printed in United States of America