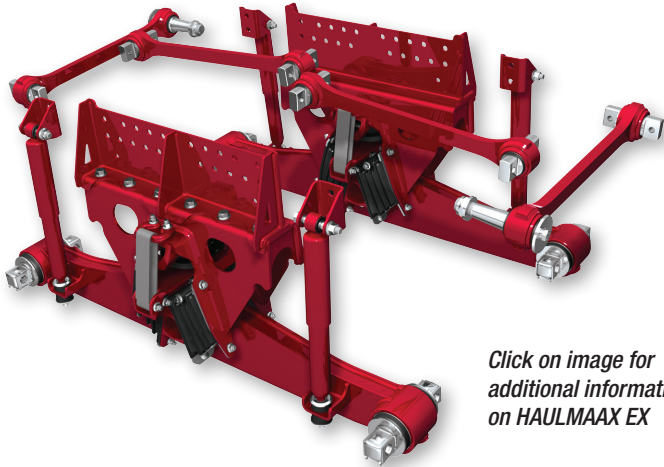


# HAULMAAX<sup>®</sup> EX

Heavy-duty Rear Rubber Suspension System



*Click on image for additional information on HAULMAAX EX*

## HAULMAAX EX Service & Maintenance

This Digital Technical Service Publications Index, a new online resource, is intended to assist maintenance personnel in locating the appropriate Hendrickson publications and materials regarding preventive maintenance, service, repair and rebuild, parts identification, and product update information for the HAULMAAX EX rear suspension system.

It is important to read and understand the applicable Hendrickson service publications listed here and all work instructions and safety related information provided by the vehicle manufacturer prior to performing any maintenance, service, repair, or rebuild of the HAULMAAX EX suspension system.

## Digital Technical Service Publications Index – TRUCK

LIT NO: SG-100

REVISION: A

DATE: January 2026

To access service information on the Hendrickson HAULMAAX EX suspension system, **CLICK** on the relevant Literature Number or Description below.

Literature Number	Description
17730-328	Technical Procedure
59310-012	Assembly Instructions
59310-051	• Aftermarket Shock Absorber Kits
59310-004	• Rotating Bar Pin Bushing
59310-078	• Transverse Torque Rods
	• Weight Bias Shim
SP-328	Parts List
45745-147	Selection Guides
45745-148	• Equalizing Beam and Components
45745-320	• Torque Rods
	• Equalizing Beam End Bushings
48422-590	Gauges
48422-624	• Progressive Load Spring
48422-649	• PLS 080329-070 & Bolster Spring
	• Saddle Height Gauge Step-by-step Instruction Card
48422-650	• Autocar Saddle Height
48422-651	• Freightliner Saddle Height
48422-652	• International Saddle Height
48422-658	• Mack Saddle Height
48422-653	• Paccar, Short RH, Saddle Height
48422-654	• Paccar, Tall RH, Saddle Height
48422-657	• Seagrave Saddle Height
48422-655	• Volvo Saddle Height
48422-656	• Western Star Saddle Height
SEU-0241	Technical Bulletins
12463-043	• Suspension Enhancements
	• Tech Tips – Saddle Height Options



*Click or Scan the QR code to access Digital Service Guide Index*



For more information contact Hendrickson Tech Services at:



**PARTS IDENTIFICATION**  
[truckparts@hendrickson-intl.com](mailto:truckparts@hendrickson-intl.com)



**TECHNICAL SUPPORT**  
[wdtechservices@hendrickson-intl.com](mailto:wdtechservices@hendrickson-intl.com)



**Additional Hendrickson  
Product Information**  
[www.hendrickson-intl.com](http://www.hendrickson-intl.com)

Call Hendrickson at 855.743.3733 (toll-free) or 630.910.2800 for additional information.



[www.hendrickson-intl.com](http://www.hendrickson-intl.com)

SG-100 Rev A 01-26

TRUCK COMMERCIAL VEHICLE SYSTEMS  
800 South Frontage Road  
Woodridge, IL 60517-4904 USA  
855.RIDDERED (743.3733)  
630.910.2800 • Fax 630.910.2899

© 2026 Hendrickson USA, L.L.C. All Rights Reserved. All trademarks shown are owned by Hendrickson USA, L.L.C., or one of the affiliates, in one or more countries. Information contained in this literature was accurate at the time of publication. Product changes may have been made after the copyright date that are not reflected. Printed in United States of America