

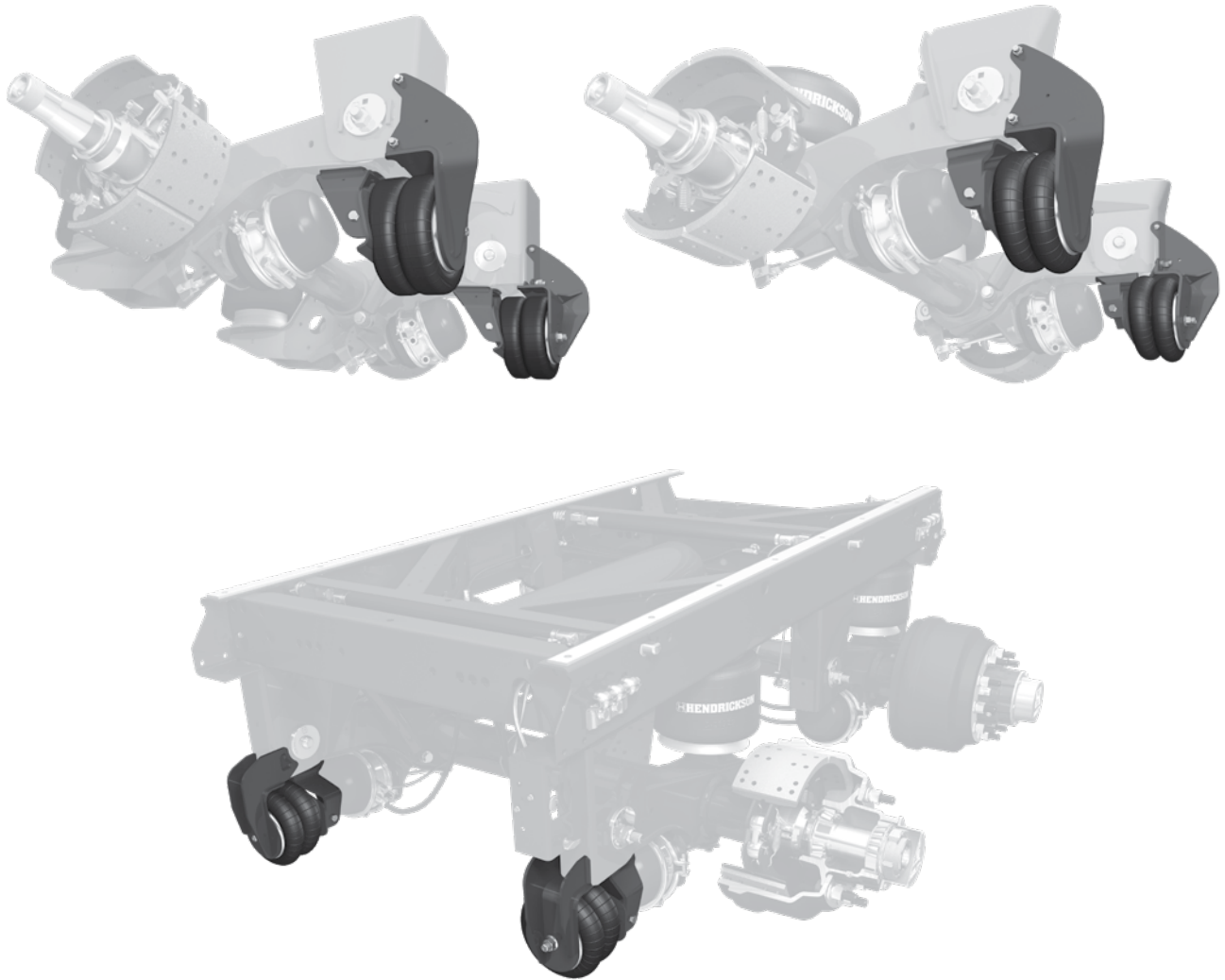
H PARTS LIST

UBL™ UNDER BEAM LIFT™

LIT NO: L757

DATE: December 2024

REVISION: M

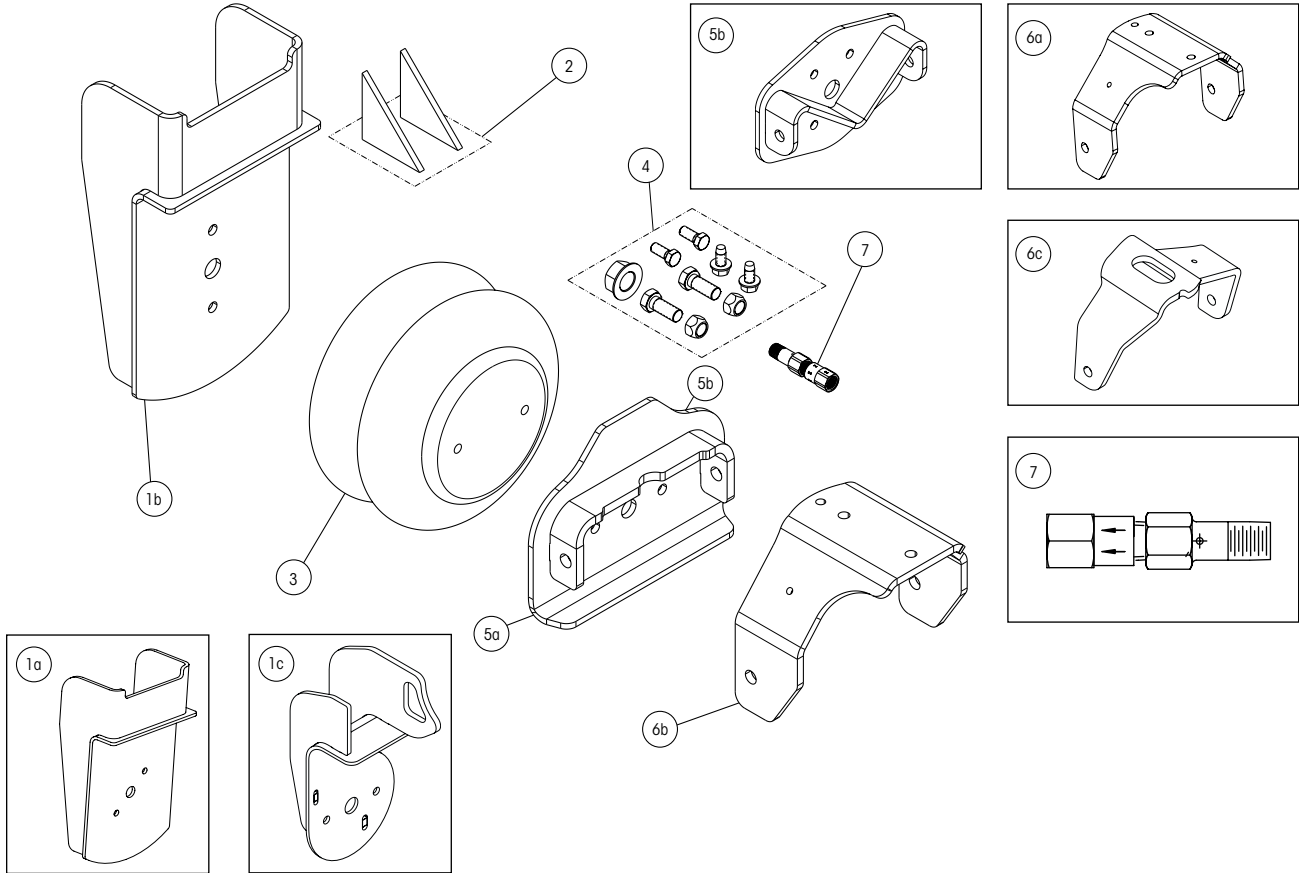




OEM-INSTALLED UBL™

UBL - 001, UBL - 002, UBL - 003, UBL - 004 (Weld-on)

- INTRAAX® AAT 23 / 25 / 30K • INTRAAX AANT 23K
- INTRAAX AAL 23/25K • HT® SERIES HT230T/HT300T
- INTRAAX AAEDT 30K • HT SERIES HT250T
- INTRAAX AAEDL 30K



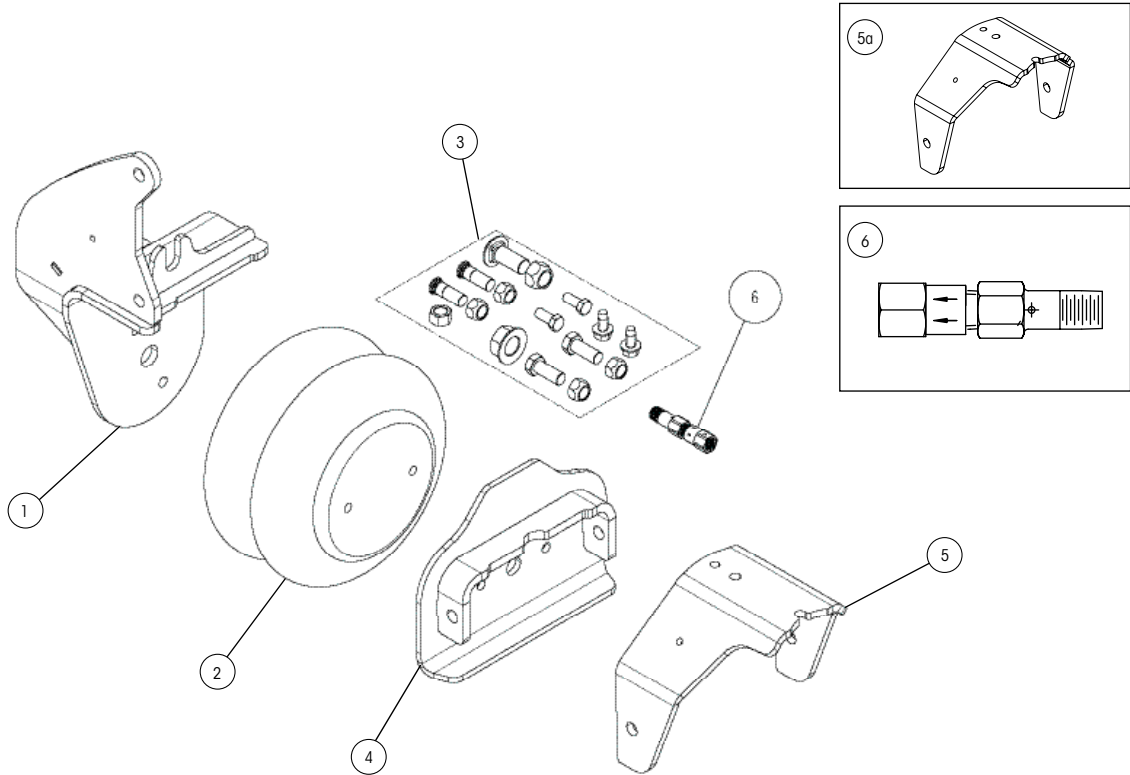
ITEM	DESCRIPTION	PART NO.	QTY.	NOTES
1	FRAME BRACKET LIFT SUPPORT			
	1a UBL-001	D-23301C	2	AAT, HT230T and HT300T models; Primer
	1b UBL-002, UBL-003	D-24658C	2	AAL, AAEDT, AAEDL and HT250T models; Primer
	1c UBL-004	C-28610-1C/-2C	2	AANT models; Primer
2	GUSSET	S-2901-37	4	Not for use with UBL-004
3	AIR SPRING	S-23114	2	
4	LIFT ASSEMBLY BOLT KIT	S-24614/2	2	Includes (2) 1/2" bolts, (2) 3/8" bolts, (2) self-tapping screws (not for use with AANT), (2) prevailing torque hex nuts and (1) hex nut
5	LIFT SPRING PLATE ASSEMBLY			
	5a UBL-001, UBL-002, UBL-003	S-27945	2	AAT, AAL, AAEDT, AAEDL, HT230T, HT250T and HT300T models
	5b UBL-004	C-28614	2	AANT models
6	LIFT BRACKET			
	6a UBL-001	C-23299C	2	AAT, HT230T and HT300T; Primer
	6b UBL-002, UBL-003	S-28537C	2	AAL, AAEDL, AAEDT and HT250T models; Primer
	6c UBL-004	C-28617-1/-2	2	AANT models
7	CROSSOVER VALVE			
	UBL-003	VS-27214	1	Recommended for AAL 30K, AAEDL 30K and HT250T models only



OEM-INSTALLED UBL™

UBL - 101 / 102, UBL - 201 / 202, UBL - 301 / 302 (Bolt-on)

- INTRAAX® AAL 23 / 25 / 30K • INTRAAX AAEDL 30K
- INTRAAX AAT 23 / 25 / 30K • VANTRAAX® HKAT 46 / 50 / 69K23 / 69K25 / 75K25
- INTRAAX SP AAZL 23 / 46K • VANTRAAX HKAL 46K
- INTRAAX AAEDT 30K • VANTRAAX HKARL 46K
- CONNEX® ST CXSL 25K



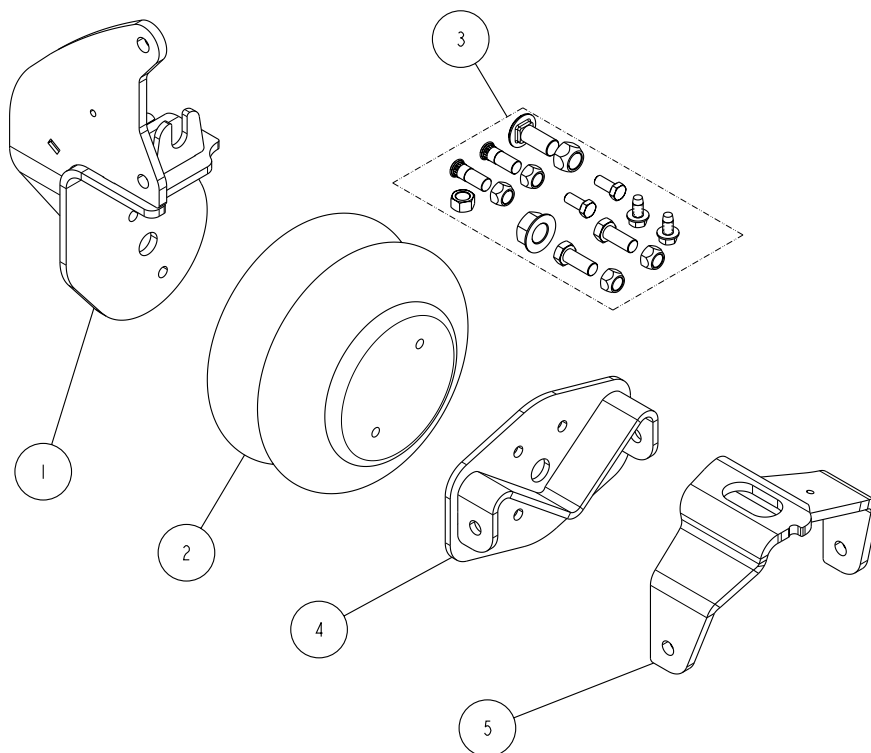
ITEM	DESCRIPTION	PART NO.	QTY.	NOTES
1	FRAME BRACKET LIFT SUPPORT			
	UBL-101, UBL-201, UBL-301	C-33350-1C/-2C	2	Primer
	UBL-102, UBL-202, UBL-302	C-33350-1GV/-2GV	2	Galvanized
2	AIR SPRING	S-23114	2	
3	LIFT ASSEMBLY BOLT KIT	S-30634-1/2	2	Includes (2) 1/2" bolts, (2) 3/8" bolts, (1) carriage bolt, (2) 1/2" round head ribbed neck bolts, (2) self-tapping screws, (4) prevailing torque hex nuts, (1) 1/2" hex nut, (1) 5/8" hex nut and (1) 3/4" hex nut
4	LIFT SPRING PLATE ASSEMBLY	S-27945	2	
5	LIFT BRACKET			
	5a UBL-101, UBL- 102	C-32893C	2	AAT, HKAT models; Primer
	5b UBL-201, UBL-202, UBL-301, UBL-302	C-32041C	2	AAL, AAEDL, AAEDT, AAZL, CXSL, HKAL and HKARL models; Primer
6	CROSSOVER VALVE			
	UBL-301, UBL-302	VS-27214	1	Recommended for AAL 30K, AAEDL 30K and HT250T models only



OEM-INSTALLED UBL™

UBL - 401 / 402 (Bolt-on)

- INTRAAX® AANT 23K
- INTRAAX SP AAZNT 23 / 46 / 69K23
- VANTRAAX® HKANT 40 / 46 / 69K23 (units built before Oct. 2016)



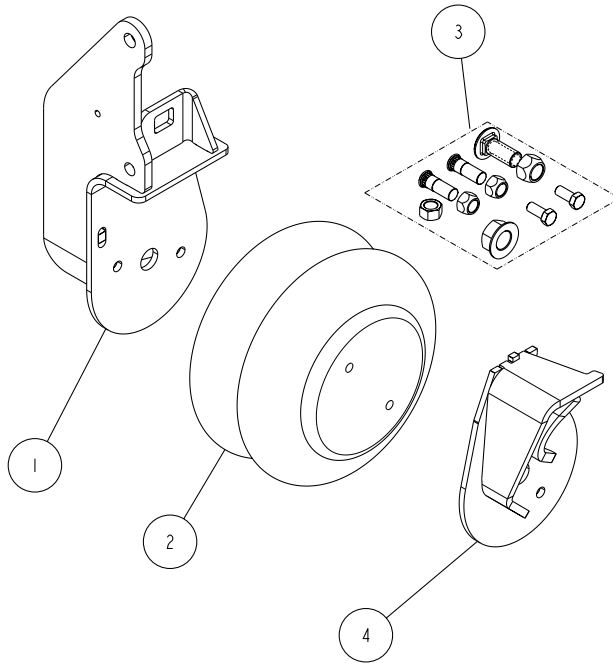
ITEM	DESCRIPTION	PART NO.	QTY.	NOTES
1	FRAME BRACKET LIFT SUPPORT			
	UBL-401	C-32038-1C/-2C	2	Primer
	UBL-402	C-32038-1GV/-2GV	2	Galvanized
2	AIR SPRING	S-23114	2	
3	LIFT ASSEMBLY BOLT KIT	S-30634-1/2	2	Includes (2) 1/2" bolts, (2) 3/8" bolts, (1) carriage bolt, (2) 1/2" round head ribbed neck bolts, (2) self-tapping screws (not used with these kits), (4) prevailing torque hex nuts, (1) 1/2" hex nut, (1) 5/8" hex nut and (1) 3/4" hex nut
4	LIFT SPRING PLATE ASSEMBLY	C-28614	2	
5	LIFT BRACKET	C-28617-1/-2	2	



OEM-INSTALLED UBL™

UBL - 005, UBL-005GV (Bolt-on)

- INTRAAX® AANL 23K
- VANTRAAX® HKANL 23K



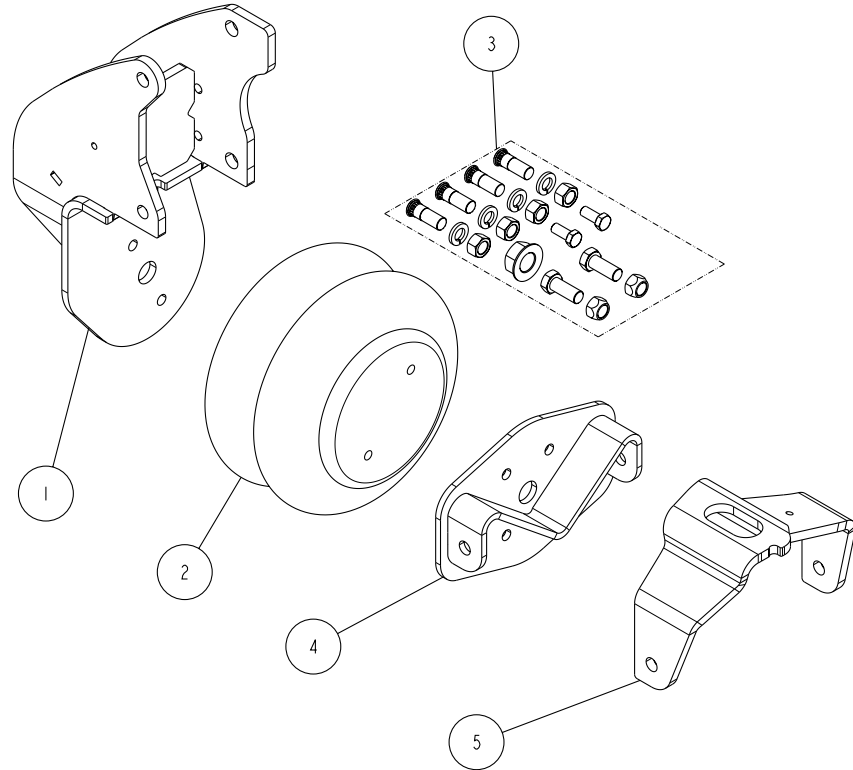
ITEM	DESCRIPTION	PART NO.	QTY.	NOTES
1	FRAME BRACKET LIFT SUPPORT			
	UBL-005	C-30293-1C/-2C	2	Primer
	UBL-005GV	C-30293-1GV/-2GV	2	Galvanized
2	AIR SPRING	S-23114	2	
3	LIFT ASSEMBLY BOLT KIT	S-30634/2	2	Includes (1) 3/4" flange hex nut, (2) 3/8" hex bolts, (2) 1/2" prevailing torque hex nuts, (2) 1/2" round head ribbed neck bolts, (1) carriage bolt, (1) 5/8" prevailing torque hex nut, and (1) 1/2" hex nut
4	LIFT BRACKET	C-30209-1/-2	2	



HENDRICKSON-INSTALLED UBL™

UBL - 601 (Bolt-on)

- VANTRAAAX® HKANT 69K23 (units built after Oct. 2016)
- VANTRAAAX HKANT 46K (units built after Oct. 2016)
- VANTRAAAX HKANT 40K (units built after Oct. 2016)



ITEM	DESCRIPTION	PART NO.	QTY.	NOTES
1	FRAME BRACKET LIFT SUPPORT			
	UBL-601	C-37625-1C/-2C	2	Primer
	UBL-602	C-37625-1GV/-2GV	2	Galvanized
2	AIR SPRING	S-23114	2	
3	LIFT ASSEMBLY BOLT KIT	S-37955-1/2	2	Includes (1) 3/4" hex nut, (2) hex head bolts, (4) 1/2" round head ribbed neck bolts, (2) hex cap screws, (6) 1/2" hex nuts and (4) lock washers
4	LIFT SPRING PLATE ASSEMBLY	C-28614	2	
5	LIFT BRACKET	C-28617-1/-2	2	

**HENDRICKSON-INSTALLED UBL™****SUGGESTED CONTROLS BILL OF MATERIALS CHART — WABCO ABS**

PART NUMBER	QUANTITY	VENDOR	DESCRIPTION	NOTES
ABS Electronic Control Unit				
400 500 105 0	1	WABCO	InfoLink ECU/Valve Assembly (2S/2M-4S/3M)	Trailer ABS ECU must be InfoLink equipped. Lift axle function must also be activated using Meritor WABCO TOOLBOX software. Reference WABCO TP-08103 Technical Bulletin for programming information.**
OR				
400 500 106 0	1	WABCO	InfoLink ECU/Valve Assembly (2S/1M)	
Lift Axle Control Components				
400 850 821 0	1	WABCO	Lift Axle Control Kit	Reference WABCO TP-08103 Technical Bulletin for installation information.
Kit includes:			463 084 050 0 Lift Axle Control Valve	
			449 518 030 0 3-meter Solenoid Valve Cable	
			449 442 010 0 Multiple Generic I/O Cable	
			449 428 030 0 12-volt Analog Input Cable	
			441 044 106 0 Pressure Sensor	
			TP-09174 Label	
Parked Auto-Deploy Components (Required by Hendrickson)				
8000	1	Sealco	Pressure Switch	The 449 428 030 0 cable included with the WABCO Lift Axle Control Option Kit allows the installation of a non-WABCO pressure switch. The pressure switch should be plumbed into the Emergency/Supply glad hand circuit.
Service Brake Isolation Components				
780215	2	Sealco	Free Wheel Control Valve	Reference Sealco's product documentation for plumbing schematics. The pilot circuit of the free wheel control valve should be plumbed to the lift bag circuit.
Optional Components				
Multiple	1	Peterson	Light	Peterson Manufacturing stocks a wide variety of light options. Alternatively, the light can be purchased from any trailer lighting supplier.
449 711 120 0	1	WABCO	12m Light Cable	

** Customers who currently use Meritor WABCO 2S/1M ECU/valve that is non-InfoLink equipped can remove existing ECU and replace with a new InfoLink 2S/1M ECU only (part number S446 108 206 0). For all other non-2S/1M systems, the ECU and Valve assembly must be replaced.



HENDRICKSON-INSTALLED UBL™

SUGGESTED CONTROLS BILL OF MATERIALS CHART — BENDIX ABS

OEM PART NUMBER	AFTERMARKET PART NUMBER	QUANTITY	VENDOR	DESCRIPTION	NOTES
TABS-6 Advanced					
K102325	K102326		Bendix	TABS-6 advanced Pigtail Harness	9" Power pigtail with 9" auxiliary 6-pin pigtail (all 6 pins included) with 9" 4-pin J1939 diagnostic connector
K099802	K099803	1	Bendix	Lift Axle Harness with Park Brake Override via Lift Lower (LL) Feature	6-pin DTM auxiliary connector to Lift Axle Control (LAC) solenoid 8 ft. with 2-pin AMP connector; Lift Lower (LL) override pigtail 5 ft. with 2 pin DT connector
Lift Axle Service Brake Override					
109001	65476	1	Bendix	Relay Valve R12-P	Pivot relay valve; tank mounted
109424	65476	1	Bendix	Relay Valve R12-P	Pivot relay valve; bracket mounted (optional)
101450	101450N	1	Bendix	TR-3 Inversion Valve	
Park Brake Disable					
K101876	K101877	1	Bendix	Pressure Switch	Normally closed 60 PSI cut in; 40 PSI cut out
Hendrickson Lift Axle					
AKAD0012		1	Hendrickson	Lift Valve	
Label					
K101839	K101840	1	Bendix	Warning Label	Warning vehicle equipped with automatic lift axle control

Actual product performance may vary depending upon vehicle configuration, operation, service and other factors.

All applications must comply with applicable Hendrickson specifications and must be approved by the respective vehicle manufacturer with the vehicle in its original, as-built configuration.

Contact Hendrickson for additional details regarding specifications, applications, capacities, and operation, service and maintenance instructions.

Call Hendrickson at 866.RIDEAIR (743.3247) for additional information.



www.hendrickson-intl.com

TRAILER COMMERCIAL VEHICLE SYSTEMS

2070 Industrial Place SE
Canton, OH 44707-2641 USA
866.RIDEAIR (743.3247)
Fax 800.696.4416

Hendrickson Canada ULC

2825 Argenta Road, Unit #2 - 4
Mississauga, ON Canada L5N 8G6
800.668.5360
905.789.1030 • Fax 905.812.9423

Hendrickson Mexicana

Circuito El Marqués Sur #29
Parque Industrial El Marqués
Pob. El Colorado, Municipio El Marqués,
Querétaro, México C.P. 76246
+52 (442) 296.3600 • Fax +52 (442) 296.3601