

APPLICATION QUESTIONNAIRE TRAILER SUSPENSION SYSTEMS

LIT NO: L633

DATE: September 2019

REVISION: E

INSTRUCTIONS: In order to assist you in selecting the suspension most appropriate for your specific application, please provide us with the information requested. Return the form via fax or mail, as indicated below. Contact Hendrickson Customer Service Department at **866-RIDEAIR (866-743-3247)** for assistance in completing this form.

COMPANY NAME: _____ STREET ADDRESS: _____

CONTACT NAME: _____ CITY: _____
PHONE NO.: _____ STATE: _____ POSTAL CODE: _____
FAX NO.: _____ COUNTRY: _____
DATE: _____ E-MAIL: _____

SEND TO: Hendrickson Commercial Vehicle Systems **OR FAX TO: (800) 696-4416**
Customer Service Department
2070 Industrial Place SE
Canton OH USA 44707-2600

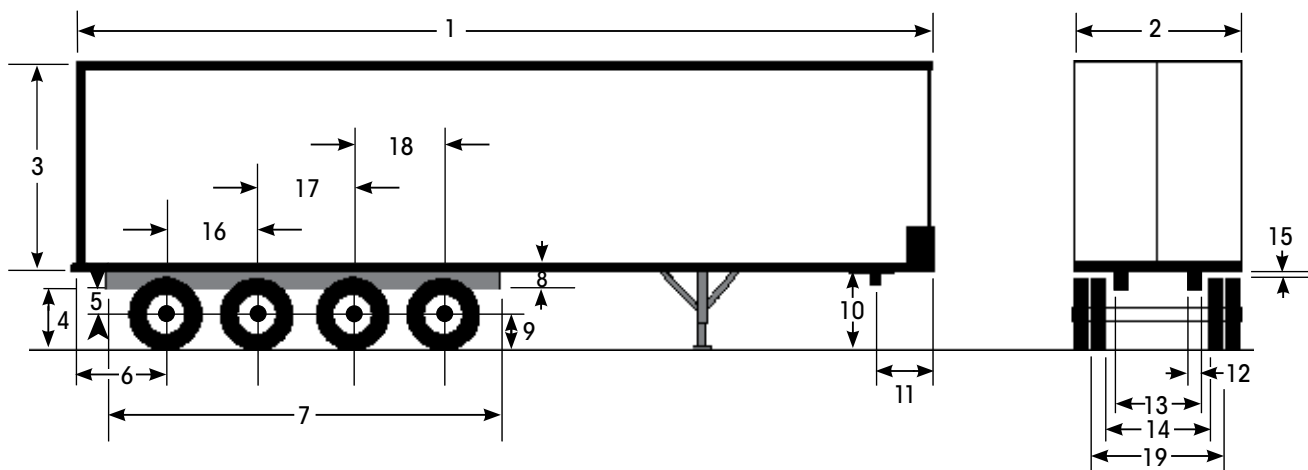
- Trailer type and manufacturer: _____
- Trailer frame material and construction (e.g. steel C-channel, aluminum I-beam): _____
- Type of installation: New trailer Conversion *(For conversions read page 4)* Adding axle(s) to existing trailer
- Brake type, size and capacity: _____
- Number of suspensions required: _____ Date required: _____
- Suspension assembly required: Unitized (Frame brackets assembled to the suspension)
 Non-unitized (Frame brackets NOT assembled to the suspension)
- Air controls required:
Height control valve 3/8" Fittings 1/4" Fittings
Axle lift Electric Manual
Suspension air exhaust (dump) Automatic Manual

NOTE: Single axle dump is ONLY approved if used with a 10 mph speed reset. *(Ref. FMCSR 393.207)*

Other special requirements (e.g. raise/lower kit, back-up alarm, boxed control): _____

Operating Conditions

- Type of cargo carried and weight: _____
- Road Conditions: Rough Smooth
- Area of Operation: _____
- Duty Cycle: 24/7 8/5 _____



DIRECTIONS: Refer to the above graphic when providing the necessary information about your trailer and suspension needs. Please be sure to specify appropriate units of measure (pounds, kilograms, inches, millimeters, etc.).

GENERAL TRAILER MEASUREMENTS:

Overall Length (*Dim. 1*) _____

Overall Width (*Dim. 2*) _____

Body Height (*Dim. 3*) _____

Center of Rear Axle to Rear of Trailer (*Dim. 6*) _____

Sub-frame Length (*Dim. 7*) _____

King Pin Height When Coupled to Tractor (*Dim. 10*) _____

King Pin to Front of Trailer (*Dim. 11*) _____

Sub-frame Flange Width (*Dim. 12*) _____

Sub-frame Width (*Dim. 13*) _____

Inside to Inside of Tires (*Dim. 14*) _____

Distance Between Axles (*Dim. 16*) _____ (*Dim. 17*) _____ (*Dim. 18*) _____

AXLE/SUSPENSION MEASUREMENTS:

	AXLE A	AXLE B	AXLE C	AXLE D
Loaded Sub-frame to Ground (<i>Dim. 4</i>)				
Ride Height (<i>Dim. 5</i>) <i>(Center of axle to bottom of frame)</i>				
Frame to Trailer Body (<i>Dim. 8</i>)				
Tire Static Loaded Radius (<i>Dim. 9</i>)				
Clearance Above the Tires (<i>Dim. 15</i>)				
Axle Track (<i>Dim. 19</i>)				



AXLE/SUSPENSION REQUIREMENTS:

		AXLE A	AXLE B	AXLE C	AXLE D
Required Axle Capacity (GAWR)					
Suspension Type (Check all that apply)		<input type="checkbox"/> Existing	<input type="checkbox"/> Existing	<input type="checkbox"/> Existing	<input type="checkbox"/> Existing
		<input type="checkbox"/> New	<input type="checkbox"/> New	<input type="checkbox"/> New	<input type="checkbox"/> New
		<input type="checkbox"/> Mechanical	<input type="checkbox"/> Mechanical	<input type="checkbox"/> Mechanical	<input type="checkbox"/> Mechanical
		<input type="checkbox"/> Air	<input type="checkbox"/> Air	<input type="checkbox"/> Air	<input type="checkbox"/> Air
		<input type="checkbox"/> Primary	<input type="checkbox"/> Primary	<input type="checkbox"/> Primary	<input type="checkbox"/> Primary
		<input type="checkbox"/> Liffable	<input type="checkbox"/> Liffable	<input type="checkbox"/> Liffable	<input type="checkbox"/> Liffable
		<input type="checkbox"/> Sliding Sub-frame	<input type="checkbox"/> Sliding Sub-frame	<input type="checkbox"/> Sliding Sub-frame	<input type="checkbox"/> Sliding Sub-frame
Required Tire to Ground Clearance (Lifted Suspension)					
Axle Travel Required	Up (Jounce)				
	Down (Rebound)				
Axle Type	Track				
	Outside Diameter				
	Wall Thickness				
Tire Size					

NOTE: Indicate any trailer specific items that should be considered, such as under-trailer discharge tubes, loading ramps, etc., and provide their dimensional information. _____

PREFERRED SUSPENSION MODEL: _____

Has this model been used on similar trailer designs / applications before? YES NO

COMMENTS: _____

It is the responsibility of the suspension installer to ensure there is adequate structural strength in the area of the suspension attachment. In addition, the proper attachment of the suspension is solely the responsibility of the suspension installer.

The suspension assembly drawing and installation instructions should be reviewed before attempting any installation. It is the responsibility of the suspension purchaser to ensure that the suspension assembly drawings and installation instructions are provided to the suspension installer.

I agree to accept the installation and application responsibilities as they are described.

APPLICANT'S SIGNATURE: _____ DATE: _____



CONVERTING TO HENDRICKSON TRAILER AIR SUSPENSIONS

At times it is desired to “convert” or “remanufacture” a trailer originally produced with a spring suspension or another brand of air suspension to a Hendrickson Trailer Air Suspension. Some factors to consider:

CONTACT THE OEM

The original manufacturer of the trailer should be contacted for recommendations and approval before making trailer modifications.

SUSPENSION CHOICES

INTRAAX® AAT/AAL or HT™ Series suspensions may be the most appropriate choice for “conversion” or “remanufacture” programs due to the greater experience that exists in the industry for installation of this product. Refer to Hendrickson publication L707, *Application Guide - Trailer Suspension Systems* (available at www.hendrickson-intl.com), for suspension application guidance. INTRAAX AANT/AANL is not recommended for this use.

Contact Hendrickson for slider retrofit recommendations.

SUSPENSION CROSSMEMBERS

Hendrickson suspensions require crossmembers in the trailer frame or subframe at specific locations. These crossmembers are shown on our installation drawings. **However, these installation drawings are guidance for OEM's and are not specific to any particular trailer design. They are not intended to provide information for a “conversion” or “remanufacture” program.** It is unlikely that an existing trailer equipped with another suspension has crossmembers in the correct location. **It is likely that existing crossmembers will have to be removed and correctly placed crossmembers subsequently installed.**

Hendrickson does not provide these crossmembers and related parts, nor can we provide recommendations for the modification of trailer frames or subframe. If the original trailer manufacturer is currently installing Hendrickson suspensions they may provide guidance and be a source for crossmembers and the other necessary parts.

AXLES

Often it is assumed that existing axles from spring suspensions can be reused with HT suspensions. **The axle wall thickness used with spring suspensions is rarely adequate for use with trailing beam air suspensions that are welded to the axle. Likewise, these axles usually do not have the correct length of camshafts and brake chamber location for clearance of HT suspensions.**

AIR CONTROLS

An air suspension must be operated at the correct ride height and must be provided with a reliable air supply. The simplest means to accomplish this is the use of a single HCV (Height Control Valve). To select the appropriate HCV refer to Hendrickson publication L1182, *Controls Parts Catalog* (available at www.hendrickson-intl.com).

Actual product performance may vary depending upon vehicle configuration, operation, service and other factors.

All applications must comply with applicable Hendrickson specifications and must be approved by the respective vehicle manufacturer with the vehicle in its original, as-built configuration. Contact Hendrickson for additional details regarding specifications, applications, capacities, and operation, service and maintenance instructions.

Call Hendrickson at 330.489.0045 or 866.RIDEAIR (743.3247) for additional information.



www.hendrickson-intl.com

TRAILER COMMERCIAL VEHICLE SYSTEMS

2070 Industrial Place SE
Canton, OH 44707-2641 USA
866.RIDEAIR (743.3247)
330.489.0045 • Fax 800.696.4416

Hendrickson Canada

250 Chrysler Drive, Unit #3
Brampton, ON Canada L6S 6B6
800.668.5360
905.789.1030 • Fax 905.789.1033

Hendrickson Mexicana

Circuito El Marqués Sur #29
Parque Industrial El Marqués
Pob. El Colorado, Municipio El Marqués,
Querétaro, México C.P. 76246
+52 (442) 296.3600 • Fax +52 (442) 296.3601