

H PARTS LIST

OPTIMAAX® Liffable Forward Tandem Axle and Suspension System for Freightliner Vehicles

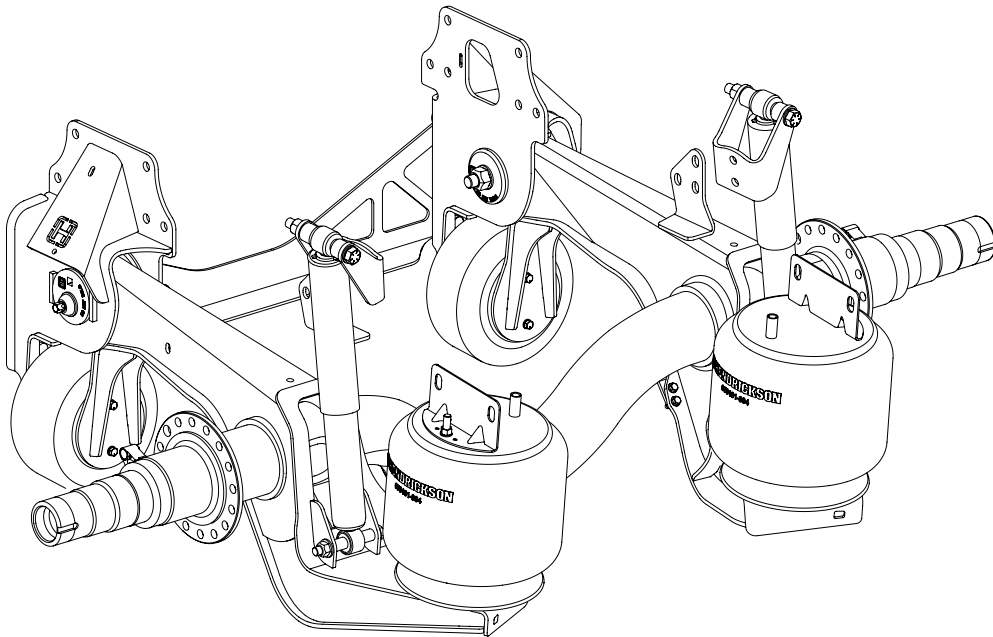
LIT NO: SP-309

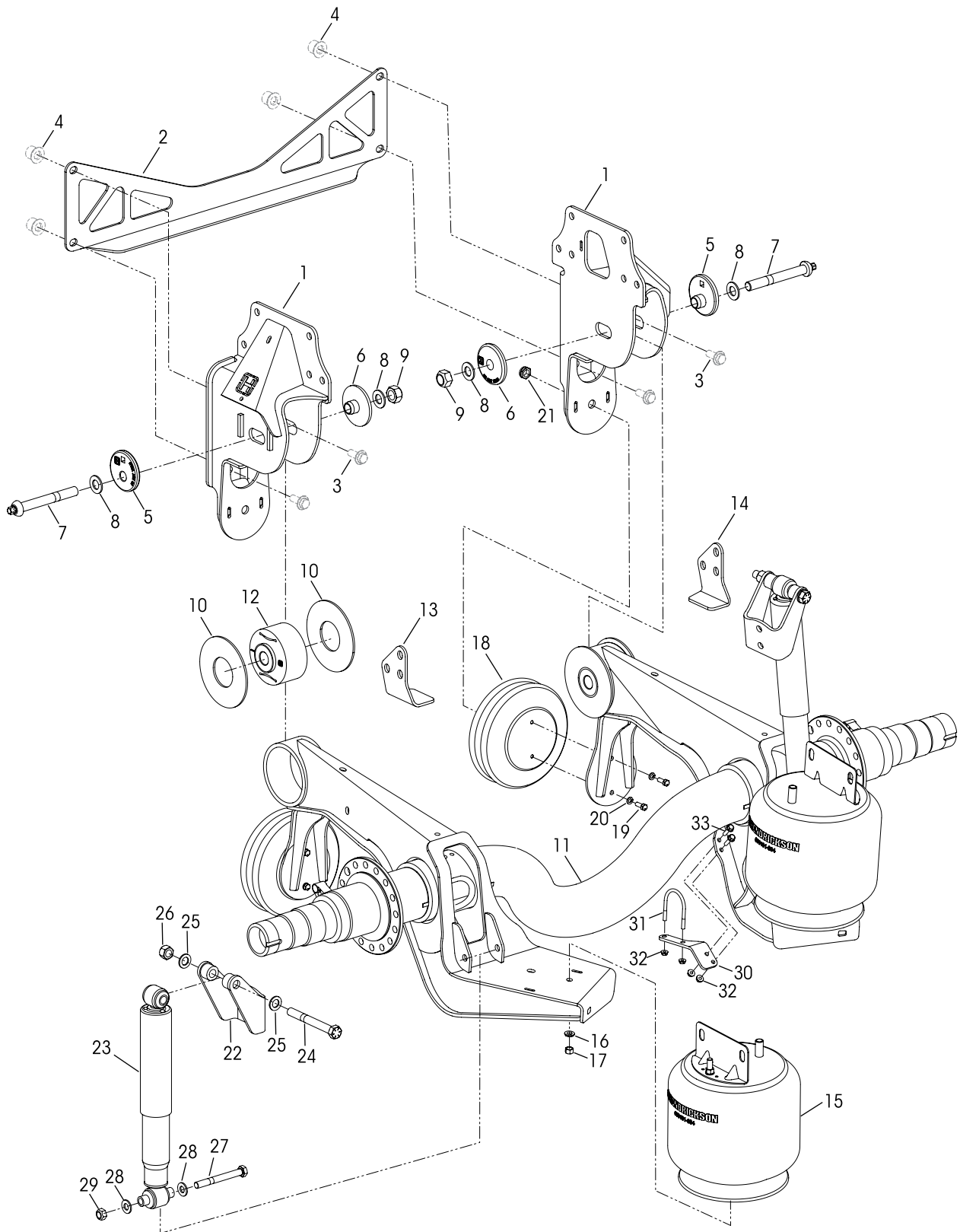
DATE: March 2022

REVISION: B

CONTENTS

DESCRIPTION	PAGE
Parts List	2
Special Tools	4







KEY NO.	PART NO.	DESCRIPTION	VEHICLE *QTY.	KEY NO.	PART NO.	DESCRIPTION	VEHICLE *QTY.
1		Frame Hanger			49177-006	Ride Air Spring Fasteners Service Kit, Axle Set Includes Key Nos. 16-17	
	79651-001	Left Hand	1	16	22962-014	½" Lower Ride Air Spring Washer	2
	79651-002	Right Hand	1	17	17700-010	½"-13 UNC Lower Ride Air Spring Locknut	2
2	80100-001	Cross Member	1		34013-287	Lift Air Spring Service Kits, One Side, Includes Key Nos. 18-21	
3		**M16 Huck Bolt	4	18		***Lift Air Spring	2
4		**M16 Huck Locknut	4	19	58035-001	¾"-16 UNF x 1" Lift Air Spring Bolt	4
	60632-042	QUIK-ALIGN Service Kits, Includes Key Nos. 5-10 Axle Set		20	17497-005	¾" Lift Air Spring Split Lock Washer	4
	34013-280	One Side		21	17700-031	¾" Locknut	2
	34013-281	QUIK-ALIGN Collar Service Kit, One Side Includes Key Nos. 5-9		22	93845-000	Upper Shock Bracket, <i>Replaces 78250-003</i>	2
5		***QUIK-ALIGN Eccentric Collar	2	23	80335-001L	Shock Absorber	2
6		***QUIK-ALIGN Concentric Collar	2		64178-042	Single Shock Absorber Fastener Service Kit, Includes Key Nos. 24-29	
	34013-282	QUIK-ALIGN Fastener Service Kit, One Side Includes Key Nos. 7-9		24	50764-018	¾"-10 UNC x 6½" Upper Shock Bolt	2
7		***Shear Round Head Bolt	2	25	22962-038	¾" Hardened Washer	4
8		***7/8" Hardened Steel Washer	4	26	17342-000	¾"-10 UNC Upper Shock Set Screw Nut	2
9		***7/8" Prevailing Torque Heavy Hex Nut	2	27	32043-019	5/8"-11 UNC x 5½" Lower Shock Bolt	2
		TRI-FUNCTIONAL® III Bushing Service Kits		28	22962-004	5/8" Lower Shock Washer	4
	34013-283	Axle Set, Includes Key Nos. 10, 12, 37		29	47764-000	5/8" Lower Shock Locknut	2
	34013-284	One Side, Includes Key Nos. 10, 12, 37				*****S-cam Service Kits, Axle Set	
	34013-285	One Side, Includes Key Nos. 7-9, 12, 37			60961-864	Includes Key Nos. 30-33	
	34013-286	Thrust Washer Service Kit, One Side, Includes Key No 10			60961-869	Fasteners Only, Includes Key Nos. 31-33	
10		***Thrust Washer	4	30		S-cam Bracket	
11	79357-004	Axle Beam Assembly, Includes Key No. 12 75.5 Wide Track, 33.4" Frame Width	1		80023-001	Left Hand	1
12		***TRI-FUNCTIONAL III Bushing	2		80023-002	Right Hand	1
	34013-237	Axle Stop Service Kit, Axle Set Includes Key Nos. 13-14		31	64202-000	5/16"-18 UNC x 3¼" U-bolt	2
		Axle Stop		32	75952-000	5/16"-18 UNC Flange Nut	8
13	79887-001	Left Hand	1	33	75953-001	5/16"-18 UNC x 1" Flange Bolt	4
14	79887-002	Right Hand	1		93265-XXX	****OPTIMAAX Air Controller Module, Includes Key Nos. 34-35	
15	79191-004	Ride Air Spring	2	34	93267-XXX	****OPTIMAAX ECU (Contact OEM for Part No.)	1
				35	80860-000	****Splash Shield Assembly	1
				36	91984-000	****OPTIMAAX Air Controller Manifold	1
				37		H Rubber Assembly Oil	1 per Bushing

NOTE: * Quantities specified are per vehicle. Quantities of service kit components may vary from amount shown in list.

** Item required, component supplied by vehicle manufacturer. Hendrickson is not responsible for components not supplied by Hendrickson, for assistance with maintenance and rebuild instructions on these components see vehicle manufacturer.

*** Item included in assembly / kit only, part not sold separately.

**** Not shown, refer to Hendrickson Literature No.17730-310 for more information.

***** Required for vehicles equipped with drum brakes only.



■ Special Tools

TRI-FUNCTIONAL® III BUSHING TOOL

Hendrickson Part No. 66086-122

Use with 3/8" wide bushings



SHEAR HEAD BOLT-E20 1" SOCKET TOOL

Hendrickson Part No. A-24536

For Service



This is a general parts list to provide directional information. Components may vary by model. Questions in regards to parts, contact Hendrickson Truck Parts at 1.866.755.5968 (Toll-free U.S. and Canada), 630.910.2800 (Outside U.S. and Canada) or email: truckparts@hendrickson-intl.com.

Actual product performance may vary depending upon vehicle configuration, operation, service and other factors.

All applications must comply with applicable Hendrickson specifications and must be approved by the respective vehicle manufacturer with the vehicle in its original, as-built configuration.

Contact Hendrickson for additional details regarding specifications, applications, capacities, and operation, service and maintenance instructions.

Call Hendrickson at 1.866.755.5968 (toll-free) or 1.630.910.2800 for additional information.



www.hendrickson-intl.com

TRUCK COMMERCIAL VEHICLE SYSTEMS

800 South Frontage Road
Woodridge, IL 60517-4904 USA
1.866.755.5968 (Toll-free U.S. and Canada)
1.630.910.2800 (Outside U.S. and Canada)
Fax 1.630.910.2899

SP-309 Rev B 03-22

© 2018 – 2022 Hendrickson USA, L.L.C. All Rights Reserved. All trademarks shown are owned by Hendrickson USA, L.L.C., or one of the affiliates, in one or more countries.

Information contained in this literature was accurate at the time of publication. Product changes may have been made after the copyright date that are not reflected.

Printed in United States of America