

# **H** PARTS LIST

## INTRAAX® AANT 23K

LIT NO: L1057

DATE: April 2024

REVISION: K

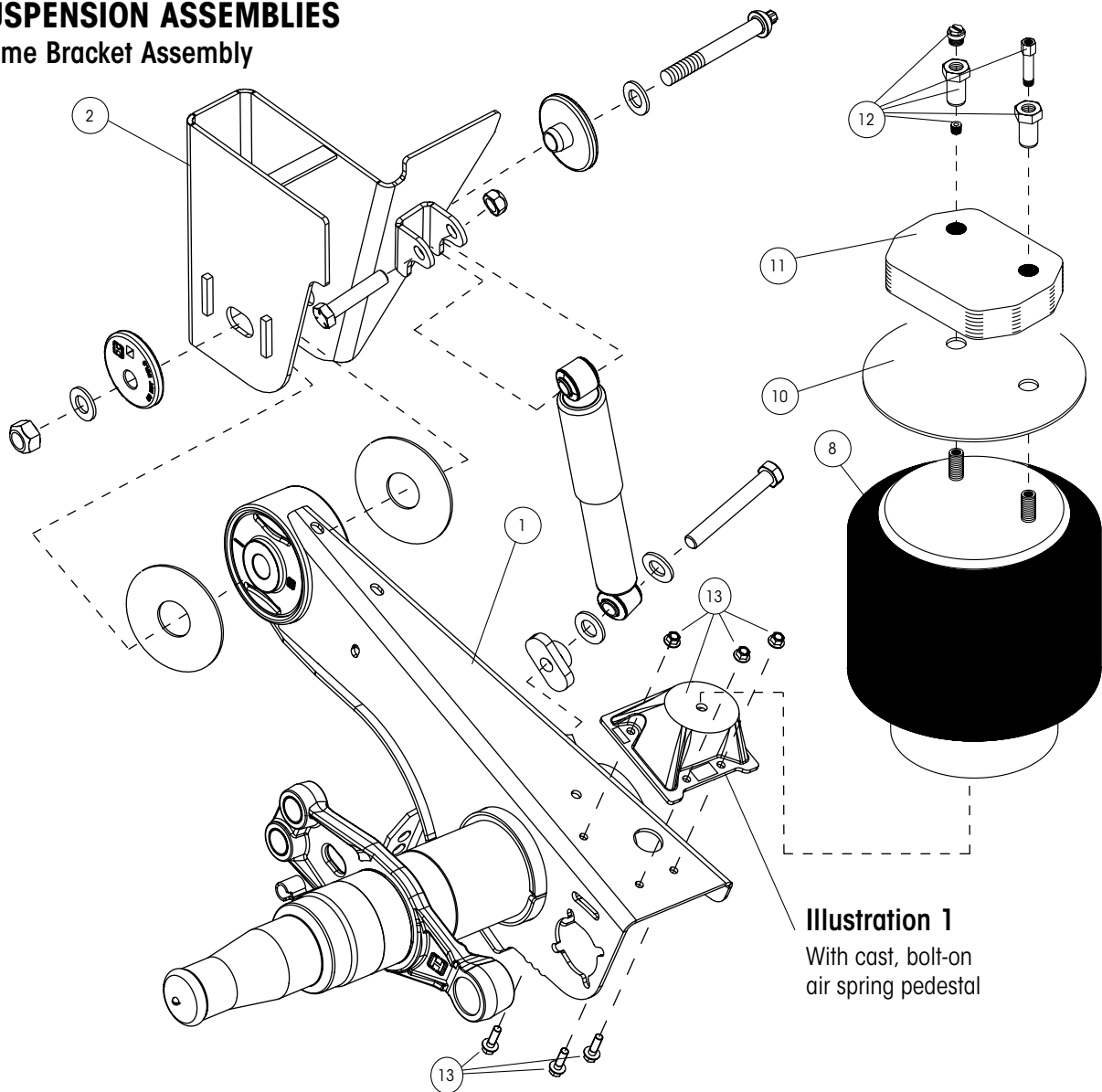
---





**SUSPENSION ASSEMBLIES**

**Frame Bracket Assembly**

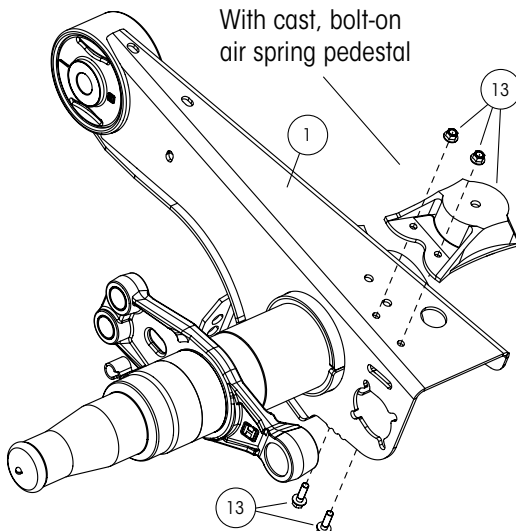


**Illustration 1**  
With cast, bolt-on  
air spring pedestal

Manufactured Late August 2002 Through 2008

**Illustration 2**

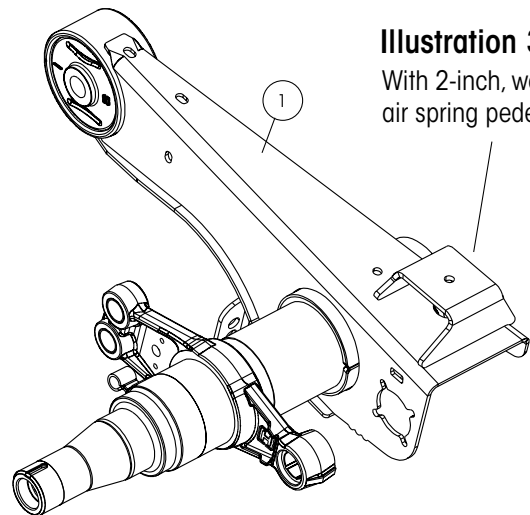
With cast, bolt-on  
air spring pedestal



Manufactured 2001 Through 2002

**Illustration 3**

With 2-inch, weld-on  
air spring pedestal





# INTRAAX® AANT 23K PARTS LIST

ITEM	DESCRIPTION	PART NO.	QTY.	NOTE
1	<b>AXLE / BEAM WELDMENT</b>	HTRAAX.XXX		Contact Hendrickson for assistance
2	<b>FRAME BRACKET<sup>1</sup></b>			See L1266 Frame Bracket Parts List
3	<b>BOLT-ON C-CHANNEL KIT<sup>2</sup></b> (Not Shown)			
	71.5" track	S-31901-1C		Standard / black primer; includes c-channel, 2 struts and strut bolt kit
	71.5" track	S-31901-1GV		Galvanized; includes c-channel, 2 struts and strut bolt kit
	77.5" track	S-31901-2C		Standard / black primer; includes c-channel, 2 struts and strut bolt kit
	77.5" track	S-31901-2GV		Galvanized; includes c-channel, 2 struts and strut bolt kit
4	<b>STRUT<sup>2</sup></b> (Not Shown)	B-30591	2	
5	<b>C-CHANNEL BOLT KIT</b> (Not Shown)	S-29822	1	Includes 2 screws and 2 prevailing torque nuts
6	<b>STRUT BOLT KIT</b> (Not Shown)	S-30720	1	6 Screws and 6 prevailing torque nuts
7	<b>WELD-ON C-CHANNEL</b> (Not Shown)			
	71.5" track	C-27375-1	1	7" C-channel, wingless
	75.5" track	C-27375-2	1	7" C-channel, wingless
	77.5" track	C-27375	1	7" C-channel, wingless
8	<b>AIR SPRING</b>			
	Standard pressure	S-26773	2	12" to 13" ride heights
	Standard pressure	S-21800	2	13.5" to 19" ride heights
	Low pressure	S-20901	2	13.5" to 19" ride heights
9	<b>ZMD® TECHNOLOGY</b>			See page 6
10	<b>AIR SPRING MOUNTING PLATE<sup>3</sup></b>			
	Weld-on	S-20905	2	12" - 19" ride heights; standard air spring mounting plate
	Bolt-on <sup>3</sup>	B-21145	2	13.5" - 19" ride heights; standard air spring mounting plate
		B-21715	2	13.5" - 19" ride heights; pattern 1 air spring mounting plate
		B-22390	2	13.5" - 19" ride heights; pattern 2 air spring mounting plate
		B-27264	2	13.5" - 19" ride heights; pattern 3 air spring mounting plate
11	<b>AIR SPRING SPACER<sup>4</sup></b>			Standard travel
	17" ride height	S-22510-1	2	
	16" and 18" ride heights	S-22510-2	2	Only on ZMD air spring and weld-on frame bracket for 16" ride height
	19" ride height	S-22510-3	2	
12	<b>AIR SPRING MOUNTING KIT<sup>5</sup></b>			(1) per air spring
	12" ride height	S-22907 / 2	2	Standard frame thickness
	13.5" - 16" ride heights	S-22619 / 2	2	Standard frame thickness
	17" ride height	S-22630 / 2	2	Standard frame thickness
	18" ride height	S-22631 / 2	2	Standard frame thickness
	19" ride height	S-22632 / 2	2	Standard frame thickness
13	<b>AIR SPRING PEDESTAL KITS</b>			Includes 2 pedestals, 6 nuts and 6 screws
	13.5" - 14" ride heights	S-27447-1	2	
	15" ride height	S-27447-3	2	
	16" - 19" ride heights	S-27447-4	2	Only on standard air springs for 16" ride height
	16" ride height	S-27447-2	2	Only on ZMD air spring and weld-on frame bracket

1. Options exist based on frame attachment, frame bracket style bolt hole pattern and connection. Contact Hendrickson for assistance or refer to L1266 Frame Bracket Parts List.

2. Struts are only optional for bolt-on frame brackets. Other options exist for galvanized or different track widths.

3. Please see INTRAAX® bolt-on mounting drawing, D-26651, for assistance in pattern selection. This drawing can be found in the literature section of the Hendrickson website ([www.hendrickson-intl.com](http://www.hendrickson-intl.com)).

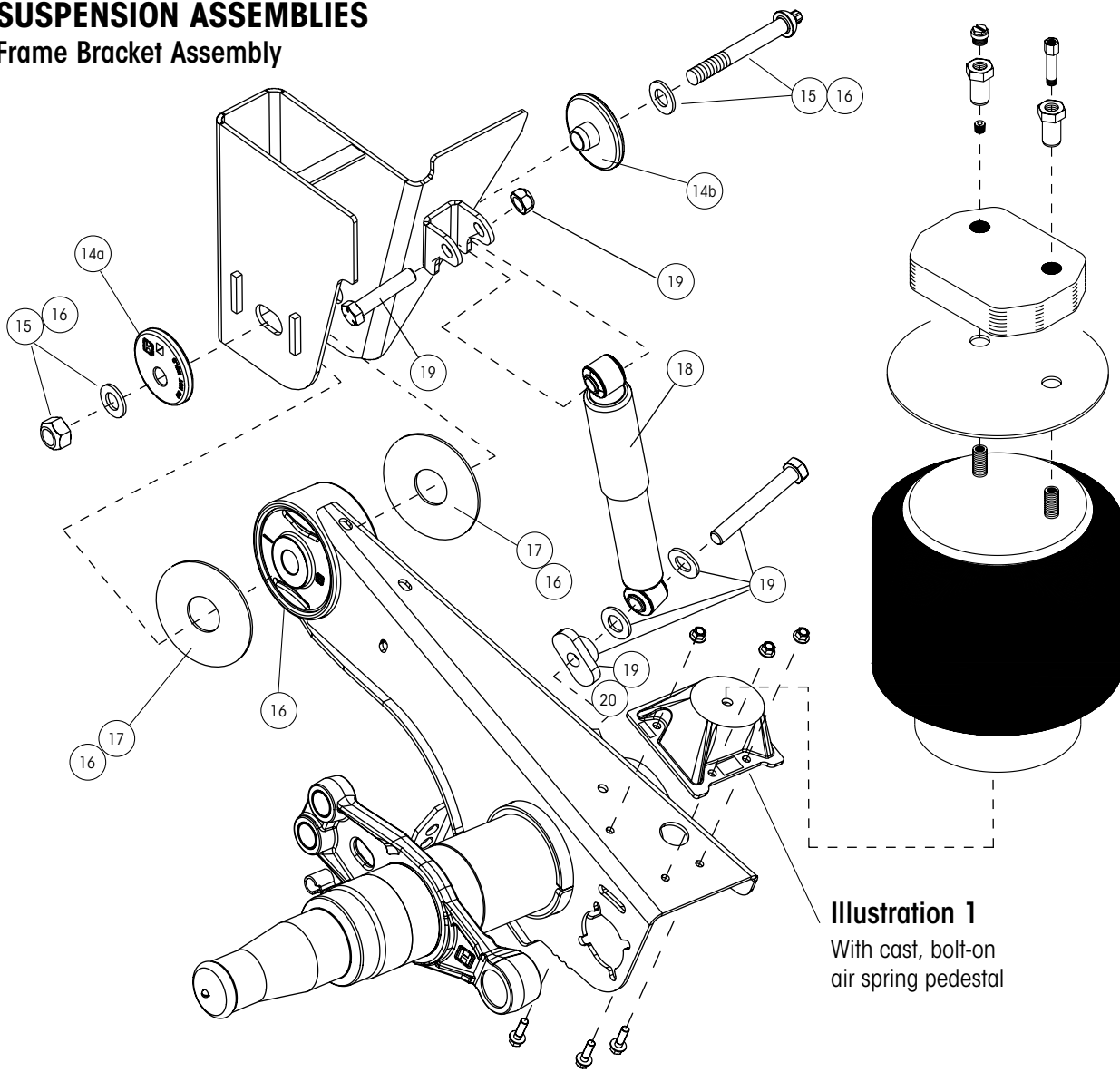
4. Air spring spacer standard options listed. Other options exist. Please contact Hendrickson for assistance.

5. Kits listed are for units with standard travel, standard air spring hardware and standard air spring mounting plate. Components may vary for limited rebound, limited jounce, thick frame or steel spacer models.



**SUSPENSION ASSEMBLIES**

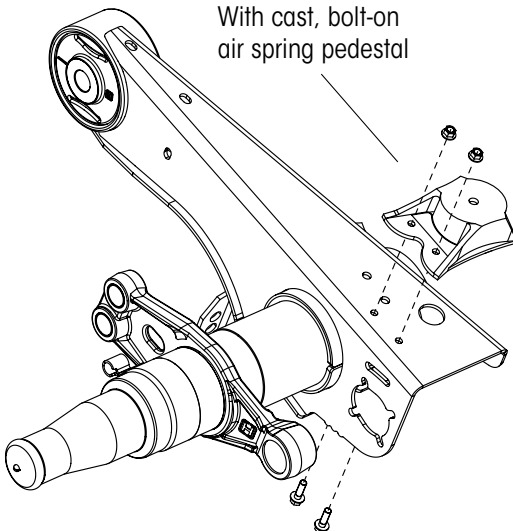
**Frame Bracket Assembly**



**Illustration 1**  
With cast, bolt-on  
air spring pedestal

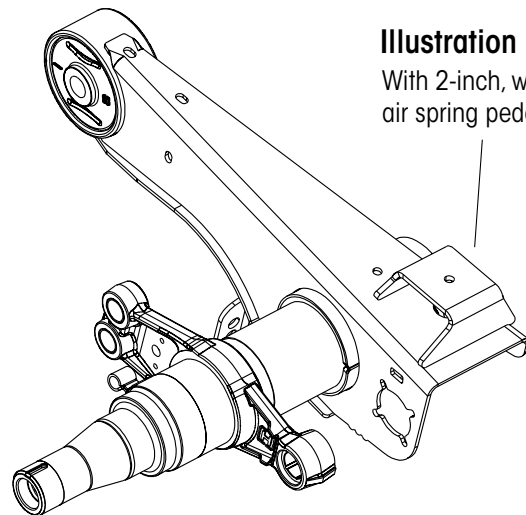
Manufactured Late August 2002 Through 2008

**Illustration 2**  
With cast, bolt-on  
air spring pedestal



Manufactured 2001 Through 2002

**Illustration 3**  
With 2-inch, weld-on  
air spring pedestal





## INTRAAX® AANT 23K PARTS LIST

ITEM	DESCRIPTION	PART NO.	QTY.	NOTE
<b>14</b>	<b>ALIGNMENT COLLARS</b>			
	14a Eccentric	S-20925	2	Pivot bolt hole is offset from the center of collar
	14b Concentric	S-20924	2	Pivot bolt hole is in the center of collar
<b>15</b>	<b>QUIK-ALIGN® PIVOT BOLT KIT<sup>7</sup></b>	S-24705	2	Includes 7" shear-type bolt, nut and washers
<b>16</b>	<b>TRI-FUNCTIONAL® BUSHING KIT<sup>6,7</sup></b>	S-26321	1	Includes (2) bushings, pivot bolt kits (Item 15), bushing tube spacers and lube
<b>17</b>	<b>BUSHING TUBE SPACERS</b>	S-26807	4	
<b>18</b>	<b>FRONT SHOCK ABSORBER</b>			See L1287 Shock Parts List
<b>19</b>	<b>FRONT SHOCK BOLT KIT</b>	S-24049/2	2	
<b>20</b>	<b>SHOCK SPACER</b>	S-41186-1	1	
<b>21</b>	<b>SHOCK STRAP KIT</b>			See L1287 Shock Parts List

6. Bushing tool, S-24736, is required to correctly rebush the suspension.

7. Best installed with Hendrickson's E-20 socket S-24536 (1-inch drive sleeveless), S-25119 (1-inch drive sleeve) or S-24303 (3/4-inch drive sleeveless).



**ZMD® ZERO MAINTENANCE DAMPING® COMPONENTS** (Not Shown)

ITEM	DESCRIPTION	PART NO.	QTY.	NOTE
<b>22</b>	<b>ZMD AIR SPRING</b>			14" - 17" ride heights only, std. travel
	Plastic piston	S-39400	2	
<b>23</b>	<b>ZMD DOWNSTOP</b>			
	<b>14" ride height</b>	S-33669	2	
	<b>15" ride height</b>	S-33669-3	2	
	<b>16" ride height</b>			
	Bolt-on	S-33669	2	
	Weld-on	S-33669-3	2	
	<b>17" ride height</b>	S-33669-3	2	
<b>24</b>	<b>ZMD DOWNSTOP BOLT KIT</b>	S-24049/2	2	Includes shear bolts, spacers, washers, hex bolt and hex nut
<b>25</b>	<b>ZMD SHOCK CLEVIS BOLT KIT<sup>8</sup></b>	S-37219	2	Includes 2 tapping screws and 2 hex nuts
<b>26</b>	<b>ZMD RETROFIT KIT</b>			Includes 2 ZMD air springs, 2 downstop assemblies and hardware
	<b>Winged</b>			
	<b>14" ride height</b>	S-39350-1	1	
	<b>15" ride height</b>	S-39350-3	1	
	<b>16" ride height</b>			
	Bolt-on	S-39350-1	1	
	Weld-on std. frame	S-39350-5	1	Includes B-22510-2 air spring spacer and S-27447-2 kit
	Weld-on thick frame	S-39350-7	1	Includes B-22510-2 air spring spacer and S-27447-2 kit
	<b>17" ride height</b>	S-39350-3	1	
	<b>Wingless</b>			
	<b>14" ride height</b>	S-39350-2	1	
	<b>15" ride height</b>	S-39350-4	1	
	<b>16" ride height</b>			
	Bolt-on	S-39350-2	1	
	Weld-on std. frame	S-39350-6	1	Includes B-22510-2 air spring spacer and S-27447-2 kit
	Weld-on thick frame	S-39350-8	1	Includes B-22510-2 air spring spacer and S-27447-2 kit
	<b>17" ride height</b>	S-39350-4	1	

8. Required only on winged frame brackets equipped with ZMD technology.



*Actual product performance may vary depending upon vehicle configuration, operation, service and other factors.  
All applications must comply with applicable Hendrickson specifications and must be approved by the respective vehicle manufacturer with the vehicle in its original, as-built configuration.  
Contact Hendrickson for additional details regarding specifications, applications, capacities, and operation, service and maintenance instructions.*

**Call Hendrickson at 330.489.0045 or 866.RIDEAIR (743.3247) for additional information.**



[www.hendrickson-intl.com](http://www.hendrickson-intl.com)

**TRAILER COMMERCIAL VEHICLE SYSTEMS**

2070 Industrial Place SE  
Canton, OH 44707-2641 USA  
866.RIDEAIR (743.3247)  
330.489.0045 • Fax 800.696.4416

**Hendrickson Canada ULC**

2825 Argentia Road, Unit #2 - 4  
Mississauga, ON Canada L5N 8G6  
800.668.5360  
905.789.1030 • Fax 905.802.9423

**Hendrickson Mexicana**

Circuito El Marqués Sur #29  
Parque Industrial El Marqués  
Pob. El Colorado, Municipio El Marqués,  
Querétaro, México C.P. 76246  
+52 (442) 296.3600 • Fax +52 (442) 296.3601

L1057 Rev K 04-24

© 2008 - 2024 Hendrickson USA, L.L.C. All Rights Reserved. All trademarks shown are owned by Hendrickson USA, L.L.C., or one of its affiliates, in one or more countries.  
Information contained in this literature was accurate at the time of publication. Product changes may have been made after the copyright date that are not reflected.

Printed in United States of America