

# H PARTS LIST

**AIRTEK® NXT Front Air Suspension  
and Steer Axle System for Engine  
& Accessory Manufacturing Inc.  
(EAM) Vehicles**

LIT NO: SP-280

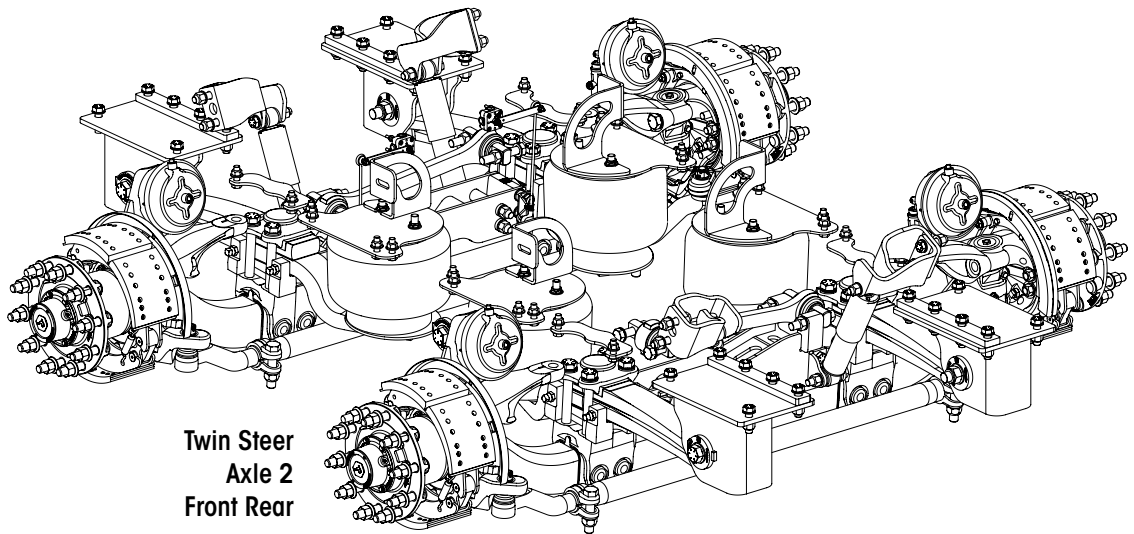
DATE: February 2026

REVISION: A

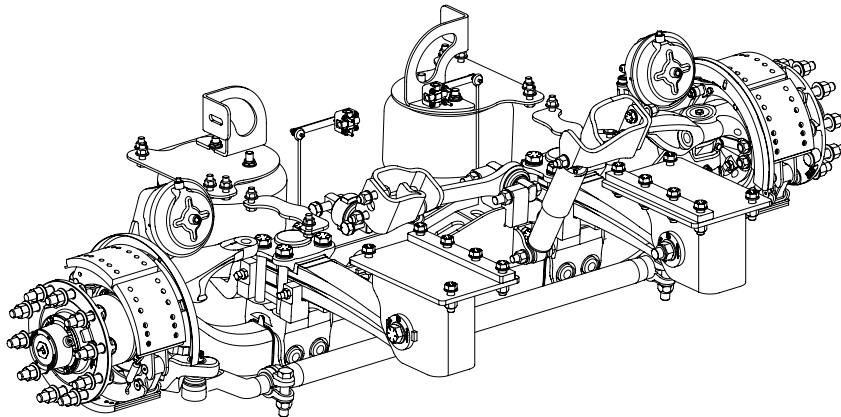
## CONTENTS

DESCRIPTION	PAGE	DESCRIPTION	PAGE
Parts List		Special Tools . . . . .	4
■ Twin Steer . . . . .	2	Wheel End Assembly with Drum Brakes . . . . .	5
■ Single Steer . . . . .	6		

Twin Steer  
Axle 1  
Front Forward



Twin Steer  
Axle 2  
Front Rear



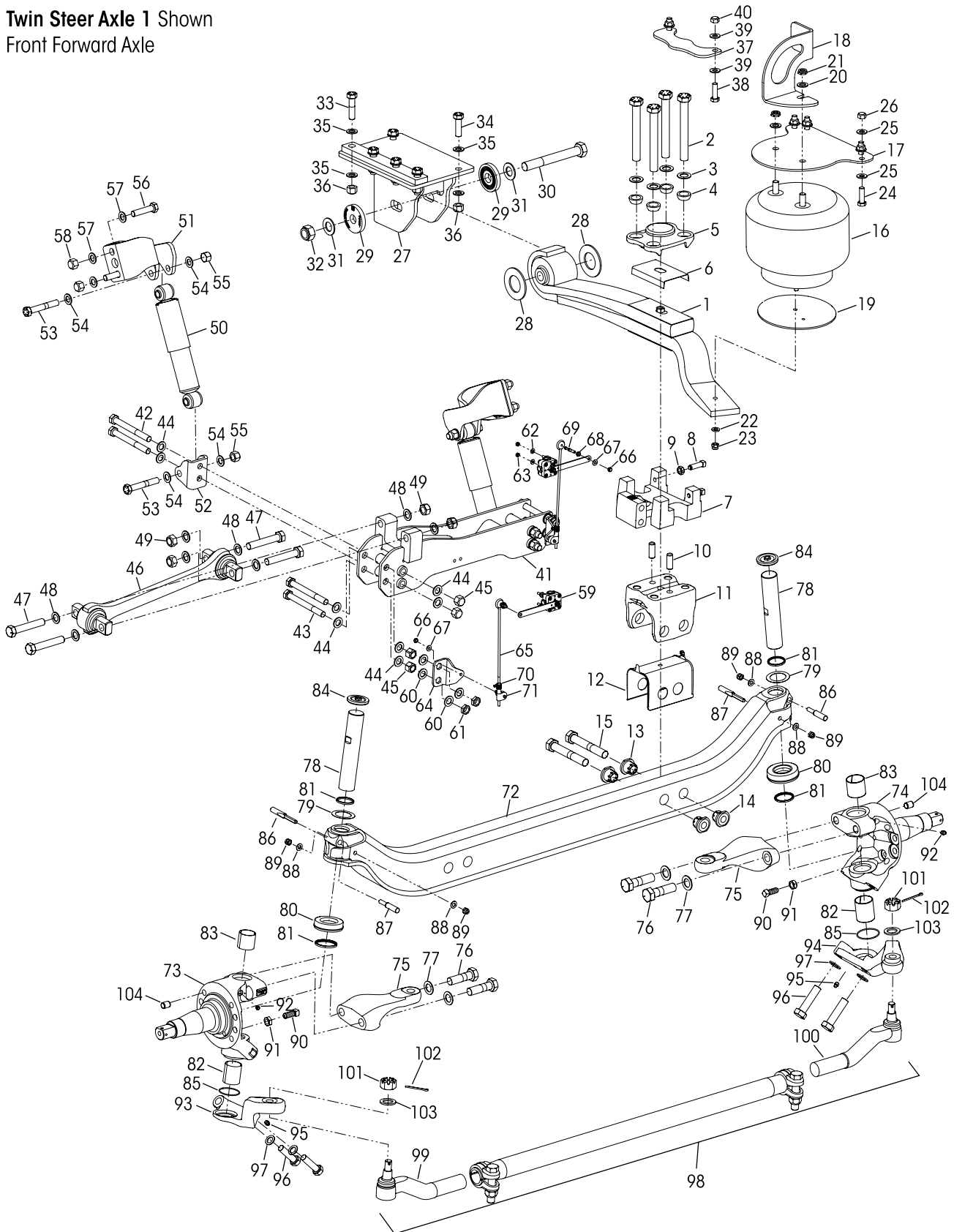
Single Steer  
Axle



27.5K lb Capacity per Axle

Twin Steer • 7.2" Ride Height

Twin Steer Axle 1 Shown  
Front Forward Axle





# AIRTEK® NXT for Engine & Accessory Manufacturing Inc. (EAM) Vehicles

KEY NO.	PART NO.	DESCRIPTION	VEHICLE QTY.	KEY NO.	PART NO.	DESCRIPTION	VEHICLE QTY.
		Leaf Spring & Clamp Group Assembly, Includes Key Nos. 1-15		41	91796-001	Axle / TVTR Bracket	2
	80002-301	Left Hand, Axle 1	1		58819-020	<b>Axle /TVTR Bracket Fastener Kit, Axle Set,</b> Includes Key Nos.42-45	
	80002-302	Right Hand, Axle 1	1	42		3/4"-10 UNC x 7" Hex Bolt	12
	80002-201	Left Hand, Axle 2	1	43		3/4"-10 UNC x 6 1/2" Hex Bolt	4
	80002-202	Right Hand, Axle 2	1	44		3/4" Flat Washer	24
1		Leaf Spring Assembly		45		3/4"-10 UNC Locknut	16
	82417-000	Left Hand, Axle 1 / Right Hand, Axle 2	2	46	8232-0000-550	TRAAX ROD® Torque Rod Assembly	2
	82418-000	Right Hand, Axle 1 / Left Hand, Axle 2	2		58821-051	<b>Torque Rod Fastener Service Kit, One Side,</b> Includes Key Nos.47-49	
	34013-419	<b>Clamp Group Fastener Service Kit, One Wheel End,</b> Includes Key Nos 2-4, 6		47		7/8"-14 UNF x 4 1/2" Hex Bolt	8
2		*1"-8 UNC x 8" Hex Bolt	16	48		7/8" Flat Washer	16
3		*1" Flat Washer	16	49		7/8"-14 UNF Locknut	8
4		*1" Spherical Washer	16	50	77538-003	Shock Absorber	4
5	78888-000	Top Pad with Jounce Stop	4	51	95133-000	Upper Shock Bracket	4
6	79273-001	Leaf Spring Liner	4	52	91795-001	Lower Shock Bracket	4
7		Bottom Cap			50754-091	<b>Shock Absorber Fastener Kit, One Axle,</b> Includes Key Nos. 53-55	
	80379-301	Left Hand	2	53		*3/4"-10 UNC x 4 3/4" Hex Bolt	8
	80379-302	Right Hand	2	54		*3/4" Flat Washer	16
8	80483-001	5/8" x 2" Set Screw	8	55		*3/4"-10 UNC Locknut	8
9	17491-023	5/8"-11 UNC Jam Nut	8		50754-093	<b>Shock Bracket Frame Mounting Fastener Kit, One Side,</b> Includes Key Nos. 56-58	
10	18831-021	Dowel Pin	8	56		*3/4"-10 x 3 1/2" Hex Head Cap Screw	8
11	91799-000	Axle Seat	4	57		*3/4" Flat Washer	16
	34013-512	<b>Axle Clamp Collar Service Kit, One Side,</b> Includes Key Nos. 12-15		58		*3/4"-10 UNC-2b Nut	8
12	78887-002	Axle Seat Liner	4		58525-084	<b>Height Control Valve Service Kit,</b> Includes Key Nos. 59-63, 65	
		*Axle Collar		59	60841-100	Height Control Valve Assembly	2
13		Non Threaded, Bolt Side	8	60		*3/4" Flat Washer	8
14		Threaded, Tie Rod Side	8	61		*3/4"-10 UNC Jam Nut	4
15		*1"-8 UNC x 6 1/2" Hex Bolt	8	62		*1/4" Flat Washer	4
16	91125-001	Air Spring Assembly	4	63		*1/4"-20 UNC Nut	4
17	91797-100	Upper Air Spring Plate	4	64	91795-013	Lower Linkage Bracket	2
18	91797-113	Upper Air Spring Z-Bracket	4	65		HCV Linkage Assembly, Includes Key Nos. 66-71	
19	94338-101	Lower Air Spring Spacer	4		58994-090	Right Hand	1
	91855-029	<b>Air Spring Fastener Service Kit, One Side,</b> Includes Key Nos.20-23			58994-091	Left Hand	1
20		*3/4" Upper Air Spring Flat Washer	8		75841-003	<b>HCV Frame Mounting Fastener Kit,</b> Includes Key Nos. 66-68	
21		*3/4"-16 UNF Upper Air Spring Locknut	8	66		*5/16"-18 UNC Locknut	4
22		*1/2" Lower Air Spring Hardened Washer	4	67		*5/16" Flat Hardened Washer	4
23		*1/2"-13 UNC Lower Air Spring Locknut	4	68		*5/16"-18 UNC Jam Nut	4
	49177-072	<b>Air Spring Frame Mounting Fastener Kit, One Side,</b> Includes Key Nos. 24-26		69		*5/16"-18 UNC Stud	4
24		*5/8"-11 UNC x 2" Hex Screw	16	70		*Valve Arm Clamp	2
25		*5/8" Flat Washer	32	71		*Adjustable Valve Arm Joint	2
26		*5/8"-11 UNC Nut	16	72	79634-001	Axle	2
27		Frame Hanger				Knuckle Assembly, Includes Key Nos. 82, 85, 90-92, 104	
	79819-101	Left Hand, Axle 1 / Right Hand, Axle 2	2	73	77243-001	Left Hand	2
	79819-102	Right Hand, Axle 1 / Left Hand, Axle 2	2	74	77243-002	Right Hand	2
	60632-048	<b>QUIK-ALIGN Collar Service Kit, One Wheel End,</b> Includes Key Nos. 28-32		75	79685-006	Steering Arm	4
28		*Wear Pad	8	76	30550-040	1"-14 UNF x 3 3/4" Hex Bolt	8
29		*QUIK-ALIGN Concentric Collar	8	77	22962-051	1" Flat Washer	8
30		*1 1/8" x 12 UNF x 9" Hex Bolt	4		34013-230	<b>Kingpin Service Kit, One Side</b> Includes Key Nos. 78-89, 96-97	
31		*1 1/8" Hardened Washer	8	78		*Kingpin	4
32		*1 1/8" x 12 UNF Locknut	4	79		Kingpin Shim (As needed for service)	4
	64105-016	<b>Frame Hanger Mounting Fastener Kit, Axle Set</b> Includes Key Nos. 33-36		a	77241-002	0.01" Thickness	
33		*3/4"-10 UNC x 3" Hex Bolt	16	b	77241-003	0.02"	
34		*3/4"-10 UNC x 2 1/2" Hex Bolt	8	80	75918-001	Thrust Bearing	4
35		*3/4" Flat Washer	48	81	75966-001	Kingpin Seal	8
36		*3/4"-10 UNC Nut	24			Kingpin Bushing	
37	94933-010	Jounce Stop, Front Left Hand & Right Hand	4	82	75919-001	Lower	4
	49399-003	<b>Jounce Stop Frame Mounting Fastener Kit, One side,</b> Includes Key Nos. 38-40		83	75919-002	Upper	4
38		*5/8"-11 UNC x 2" Hex Screw	8	84	77209-001	Grease Cap	4
39		*5/8" Flat Washer	16	85	68303-004	O-Ring	4
40		*5/8"-11 UNC Nut	8				



KEY NO.	PART NO.	DESCRIPTION	VEHICLE QTY.	KEY NO.	PART NO.	DESCRIPTION	VEHICLE QTY.
86	75925-001	Kingpin Draw Key Upper, 3 <sup>3</sup> / <sub>8</sub> " Length	4	97	22962-002	7/8" Flat Washer	8
87	75925-002	Lower, 4 <sup>3</sup> / <sub>4</sub> " Length	4	98	79365-002	Tie Rod Assembly, Heavy-duty, Drop Includes Key Nos. 99-101	2
88	22962-054	7/16" Flat Washer	8	<b>Tie Rod End Service Kits,</b>			
89	17700-008	7/16"-14 UNC-2B Locknut	8	60961-884	Axle Set, Includes Kit Nos. 60961-882 and -883		
90	93334-001	5/8"-11 UNC x 1 1/2" Stop Bolt	4	60961-882	Left Hand, Includes Key Nos. 99, 101-102		
91	17491-023	5/8"-11 UNC-2B Jam Nut	4	60961-883	Right Hand, Includes Key Nos. 100-102		
92	33117-000	Grease Zerk	4	*Tie Rod End, Includes Key No. 101			
Tie Rod Arm Assembly, Includes Key No. 95				99	Left Hand		2
93a	77244-075	Left Hand, Axle 1	1	100	Right Hand		2
b	77244-013	Left Hand, Axle 2 (Not Shown)	1	101	*7/8"-14 UNF-2A Castle Nut		4
94a	77244-076	Right Hand, Axle 1	1	102	*Cotter Pin		4
b	77244-014	Right Hand, Axle 2 (Not Shown)	1	103	*7/8" Flat Washer		4
95	33117-000	Grease Zerk	4	104	64246-000	ABS Sensor Sleeve	4
96	30418-014	7/8"-14 UNF x 3 1/2" Hex Bolt	8				

**NOTES:** Quantities specified are shown for a twin steer axle system, service kit components may vary from amount shown in lists.

\* Item included in kit/assembly only, part not sold separately.

**Special Tools**

**KINGPIN BUSHING TOOLS**

**NOTE:** Hendrickson does not supply these tools. Contact tool manufacturer.

**ADJUSTABLE STRAIGHT FLUTE REAMER**

**2.00" to 2.01" Cutting Diameter**

McMaster-Carr #3141A28



**OR**

**PRECISION-FINISH CYLINDER HONE**

**1.75" to 2.75" Cylinder ID**

McMaster-Carr #7362A45



**EXTENSION PILOT TOOL**

**for 1.78" to 2.09" Adjustable Reamer**

McMaster-Carr #3004A32



**STEERING STOP BOLT JAM NUT TOOL**

**NOTE:** Hendrickson does not supply these tools. Contact tool manufacturer.



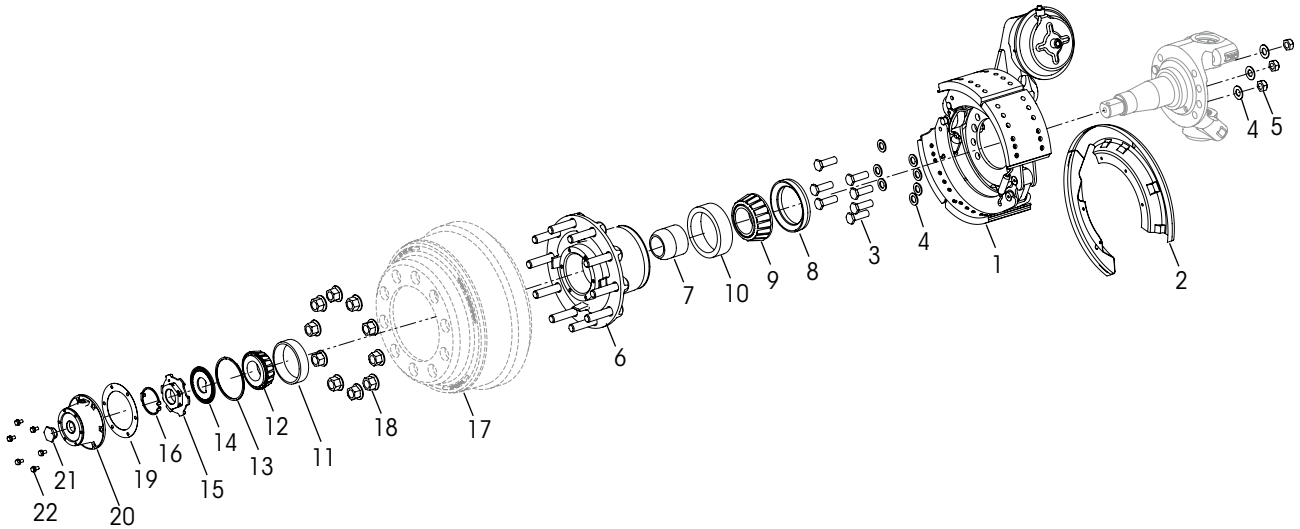
**DUAL OPEN-END WRENCH**

**1 5/16" - 60°/15° ANGLE WRENCH**

Martin Tools #3719



### Wheel End Assembly with Drum Brakes



KEY NO.	PART NO.	DESCRIPTION	VEHICLE QTY.	KEY NO.	PART NO.	DESCRIPTION	VEHICLE QTY.
1		*Meritor 16.5" x 6" Q-PLUS Drum Brake Foundation Kit, Includes Key No. 2 Left Hand, Part No. QP4-1656-2729 Right Hand, Part No. QP4-1656-2730	1	9		*Inner Bearing Cone Part No. 10041922	
2		*Dust Shield	2	10		*Inner Bearing Cup Part No. 10041921	
3	80345-004	3/4"-16 x 2 1/4" Low Profile Hex Head Bolt	14	11		*Outer Bearing Cup Part No. 10041923	
4	22962-001	3/4" Flat Washer	20	12		*Outer Bearing Cone Part No. 10041924	
5	80691-001	3/4"-16 UNC - 2B Nut	6			*Conmet Preset Plus FL Nut Assembly Kit No. 10036550, Includes Key Nos. 13-16	
		*Conmet Preset Plus FL Hub Assembly Part No. 10081313, Includes Key Nos. 6-16	2	13		*Snap Ring - Double Wind Part No. 10033288	
6		*Hub Part No. 10033316		14		*Spindle Nut Lockwasher 10031171	
		*Conmet Hub Bearing Rebuild Kit No. 10081728, One Wheel End, Includes Key Nos. 6-11		15		*Outer Spindle Nut Part No. 10031170	
		*Conmet Wheel Seal Kit No. 10081519, One Wheel End, Includes Key Nos. 6-7		16		*Snap Ring Retainer Part No. 10031172	
7		*Bearing Spacer Part No. 10034342		17		**Drum	
8		*Wheel Seal Part No. 10045883		18		M22 Flange Nut	20
				19		*Drivparts Hub Cap Gasket No. G-3009	2
				20		*Drivparts Hub Cap No. 343-009, Includes Key No. 21	2
				21		*Rubber Plug	2
				22	64545-002	5/16"-18 UNC x 3/4" Hex Bolt with Retained Washer	12

**NOTES:** \* These components are installed by Hendrickson for new production assembly but not supplied for aftermarket service purposes. Description and part number listed for reference only. For more information and assistance with service, maintenance and rebuild instructions on these components see below component manufacturers:

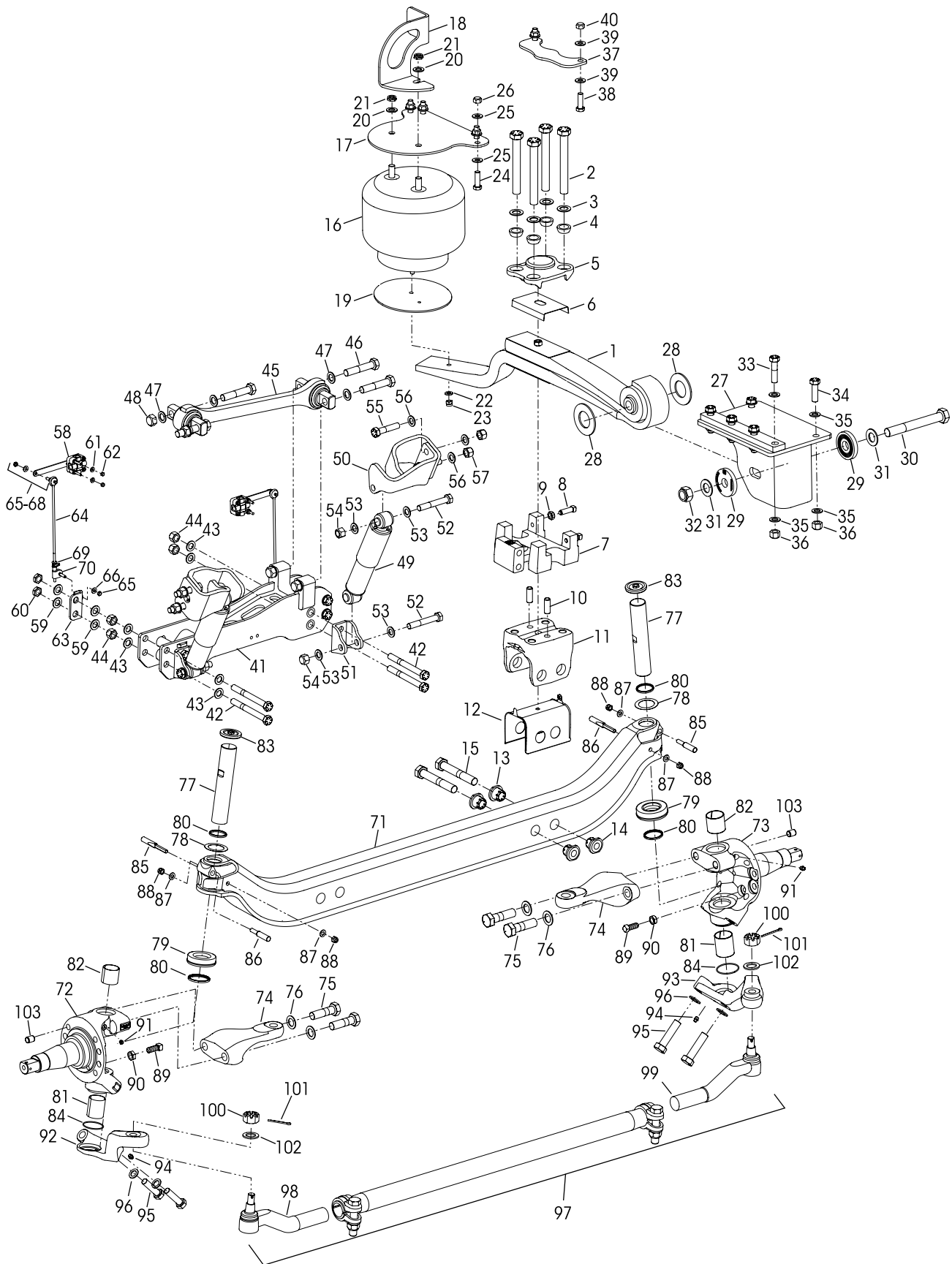
- **ConMet** 800.547.9473 or [www.conmet.com](http://www.conmet.com)
- **DRiV Incorporated** 800-325-8886 or [www.drivparts.com](http://www.drivparts.com)
- **Meritor** 888.725.9355, or [www.meritorpartsexpress.com](http://www.meritorpartsexpress.com) (parts), [www.meritorbullpen.com](http://www.meritorbullpen.com) (technical support)
- **WABCO-ZF Friedrichshafen** 855.228.3203 or [www.wabco-customercentre.com](http://www.wabco-customercentre.com)

\*\* Not supplied by Hendrickson, used for reference only. Contact the vehicle manufacturer for more information.



27.5K lb Capacity per Axle

Single Steer • 7.2" Ride Height





# AIRTEK® NXT for Engine & Accessory Manufacturing Inc. (EAM) Vehicles

KEY NO.	PART NO.	DESCRIPTION	VEHICLE QTY.	KEY NO.	PART NO.	DESCRIPTION	VEHICLE QTY.
		Leaf Spring & Clamp Group Assembly, Includes Key Nos. 1-15		41	91796-001	Axle /TVTR Bracket	1
	80002-201	Left Hand	1		58819-021	<b>Axle /TVTR Bracket Fastener Kit, Axle Set,</b> Includes Key Nos.42-44	
	80002-202	Right Hand	1	42		3/4"-10 UNC x 7" Hex Bolt	8
1		Leaf Spring Assembly		43		3/4" Flat Washer	12
	82417-000	Right Hand	1	44		3/4"-10 UNC Locknut	8
	82418-000	Left Hand	1	45	8232-0000-550	TRAAX ROD Torque Rod Assembly	1
	34013-419	<b>Clamp Group Fastener Service Kit, One Wheel End, Includes Key Nos 2-4, 6</b>			58821-051	<b>Torque Rod Fastener Service Kit, One Side,</b> Includes Key Nos.46-48	
2		*1"-8 UNC x 8" Hex Bolt	8	46		7/8"-14 UNF x 4 1/2" Hex Bolt	4
3		*1" Flat Washer	8	47		7/8" Flat Washer	8
4		*1" Spherical Washer	8	48		7/8"-14 UNF Locknut	4
5	78888-000	Top Pad with Jounce Stop	2	49	77538-003	Shock Absorber	2
6	79273-001	Leaf Spring Liner	2	50	95133-000	Upper Shock Bracket	2
7		Bottom Cap		51	91795-001	Lower Shock Bracket	2
	80379-301	Left Hand	1		50754-091	<b>Shock Absorber Fastener Kit, One Axle,</b> Includes Key Nos. 52-54	
	80379-302	Right Hand	1	52		*3/4"-10 UNC x 4 3/4" Hex Bolt	4
8	80483-001	5/8" x 2" Set Screw	4	53		*3/4" Flat Washer	8
9	17491-023	5/8"-11 UNC Jam Nut	4	54		*3/4"-10 UNC Locknut	4
10	18831-021	Dowel Pin	4		50754-093	<b>Shock Bracket Frame Mounting Fastener Kit, One Side, Includes Key Nos. 55-57</b>	
11	91799-000	Axle Seat	2	55		*3/4"-10 x 3 1/2" Hex Head Cap Screw	4
	34013-512	<b>Axle Clamp Collar Service Kit, One Side,</b> Includes Key Nos. 12-15		56		*3/4" Flat Washer	8
12	78887-002	Axle Seat Liner	2	57		*3/4"-10 UNC-2b Nut	4
		*Axle Collar			91855-016	<b>Height Control Valve Service Kit,</b> Includes Key Nos. 58-64	
13		Non Threaded, Bolt Side	4	58	60841-100	Height Control Valve Assembly	2
14		Threaded, Tie Rod Side	4	59		*3/4" Flat Washer	8
15		*1"-8 UNC x 6 1/2" Hex Bolt	4	60		*3/4"-10 UNC Jam Nut	4
16	91125-001	Air Spring Assembly	2	61		*1/4" Flat Washer	4
17	91797-100	Upper Air Spring Plate	2	62		*1/4"-20 UNC Nut	4
18	91797-113	Upper Air Spring Z-Bracket	2	63	91795-013	Lower Linkage Bracket	2
19	94338-100	Lower Air Spring Spacer	2	64		HCV Linkage Assembly, Includes Key Nos. 65-70	
	91855-029	<b>Air Spring Fastener Service Kit, One Side,</b> Includes Key Nos.20-23			58994-059	Right Hand	1
20		*3/4" Upper Air Spring Flat Washer	4		58994-058	Left Hand	1
21		*3/4"-16 UNF Upper Air Spring Locknut	4		75841-003	<b>HCV Frame Mounting Fastener Kit,</b> Includes Key Nos. 65-67	
22		*1/2" Lower Air Spring Hardened Washer	2	65		*5/16"-18 UNC Locknut	4
23		*1/2"-13 UNC Lower Air Spring Locknut	2	66		*5/16" Flat Hardened Washer	4
	49177-072	<b>Air Spring Frame Mounting Fastener Kit, One Side, Includes Key Nos. 24-26</b>		67		*5/16"-18 UNC Jam Nut	4
24		*5/8"-11 UNC x 2" Hex Screw	8	68		*5/16"-18 UNC Stud	4
25		*5/8" Flat Washer	16	69		*Valve Arm Clamp	2
26		*5/8"-11 UNC Nut	8	70		*Adjustable Valve Arm Joint	2
27		Frame Hanger		71	79634-001	Axle Knuckle Assembly, Includes Key Nos. 81, 84, 89-91, 103	
	79819-101	Left Hand	1	72	77243-001	Left Hand	1
	79819-102	Right Hand	1	73	77243-002	Right Hand	1
	60632-048	<b>QUIK-ALIGN Collar Service Kit, One Wheel End,</b> Includes Key Nos. 28-32		74	79685-006	Steering Arm	2
28		*Wear Pad	4	75	30550-040	1"-14 UNF x 3 1/4" Hex Bolt	4
29		*QUIK-ALIGN Concentric Collar	4	76	22962-051	1" Flat Washer	4
30		*1 1/8" x 12 UNF x 9" Hex Bolt	2		34013-230	<b>Kingpin Service Kit, One Side</b> Includes Key Nos. 77-88, 95-96	
31		*1 1/8" Hardened Washer	4	77		*Kingpin	2
32		*1 1/8" x 12 UNF Locknut	2	78		Kingpin Shim (As needed for service)	2
	64105-017	<b>Frame Hanger Mounting Fastener Kit, Axle Set</b> Includes Key Nos. 33-36		a	77241-002	0.01" Thickness	
33		*3/4"-10 UNC x 3" Hex Bolt	8	b	77241-003	0.02"	
34		*3/4"-10 UNC x 2 1/2" Hex Bolt	4	79	75918-001	Thrust Bearing	2
35		*3/4" Flat Washer	24	80	75966-001	Kingpin Seal	4
36		*3/4"-10 UNC Nut	12			Kingpin Bushing	
37	94933-010	Jounce Stop, Front Left Hand & Right Hand	2	81	75919-001	Lower	2
	49399-003	<b>Jounce Stop Frame Mounting Fastener Kit, One side, Includes Key Nos. 38-40</b>		82	75919-002	Upper	2
38		*5/8"-11 UNC x 2" Hex Screw	4	83	77209-001	Grease Cap	2
39		*5/8" Flat Washer	8	84	68303-004	O-Ring	2
40		*5/8"-11 UNC Nut	4				



KEY NO.	PART NO.	DESCRIPTION	VEHICLE QTY.	KEY NO.	PART NO.	DESCRIPTION	VEHICLE QTY.
		Kingpin Draw Key		97	79365-002	Tie Rod Assembly, Heavy-duty, Drop	1
85	75925-001	Upper, 3 <sup>3</sup> / <sub>8</sub> " Length	2			Includes Key Nos. 98-100	
86	75925-002	Lower, 4 <sup>3</sup> / <sub>4</sub> " Length	2			<b>Tie Rod End Service Kits,</b>	
87	22962-054	7/16" Flat Washer	4		60961-884	Axle Set, Includes Kit Nos. 60961-882 and -883	
88	17700-008	7/16"-14 UNC-2B Locknut	4		60961-882	Left Hand, Includes Key Nos. 98, 100-101	
89	93334-001	5/8"-11 UNC x 1 1/2" Stop Bolt	2		60961-883	Right Hand, Includes Key Nos. 99-101	
90	17491-023	5/8"-11 UNC-2B Jam Nut	2			*Tie Rod End, Includes Key No. 100	
91	33117-000	Grease Zerk	2	98		Left Hand	1
		Tie Rod Arm Assembly, Includes Key No. 94		99		Right Hand	1
92	77244-077	Left Hand	1	100		*7/8"-14 UNF-2A Castle Nut	2
93	77244-078	Right Hand	1	101		*Cotter Pin	2
94	33117-000	Grease Zerk	2	102		*7/8" Flat Washer	2
95	30418-015	7/8"-14 UNF x 3/4" Hex Bolt	4	103	64246-000	ABS Sensor Sleeve	2
96	22962-002	7/8" Flat Washer	4				

**NOTES:** Quantities specified are shown for a single steer axle system, service kit components may vary from amount shown in lists.

\* Item included in kit/assembly only, part not sold separately.

This is a general parts list to provide directional information. Components may vary by model. Questions in regards to parts, contact Hendrickson Truck Parts at 855.743.3733 (Toll-free U.S. and Canada), 630.910.2800 (Outside U.S. and Canada) or email: truckparts@hendrickson-intl.com.

Actual product performance may vary depending upon vehicle configuration, operation, service and other factors.

All applications must comply with applicable Hendrickson specifications and must be approved by the respective vehicle manufacturer with the vehicle in its original, as-built configuration.

Contact Hendrickson for additional details regarding specifications, applications, capacities, and operation, service and maintenance instructions.

**Call Hendrickson at 630.910.2800 or 855.RIDERED (855.743.3733) for additional information.**



[www.hendrickson-intl.com](http://www.hendrickson-intl.com)

**TRUCK COMMERCIAL VEHICLE SYSTEMS**  
 800 South Frontage Road  
 Woodridge, IL 60517-4904 USA  
 855.743.3733 (Toll-free U.S. and Canada)  
 630.910.2800 (Outside U.S. and Canada)  
 Fax 630.910.2899

SP-280 Rev A 02-26

© 2026 Hendrickson USA, L.L.C. All Rights Reserved. All trademarks shown are owned by Hendrickson USA, L.L.C., or one of the affiliates, in one or more countries.

Information contained in this literature was accurate at the time of publication. Product changes may have been made after the copyright date that are not reflected.

Printed in United States of America