

H PARTS LIST

**SOFTEK® Front Suspension with
STEERTEK™ NXT Axle for
Shyft Blue Arc Medium-duty
Electric Vans**

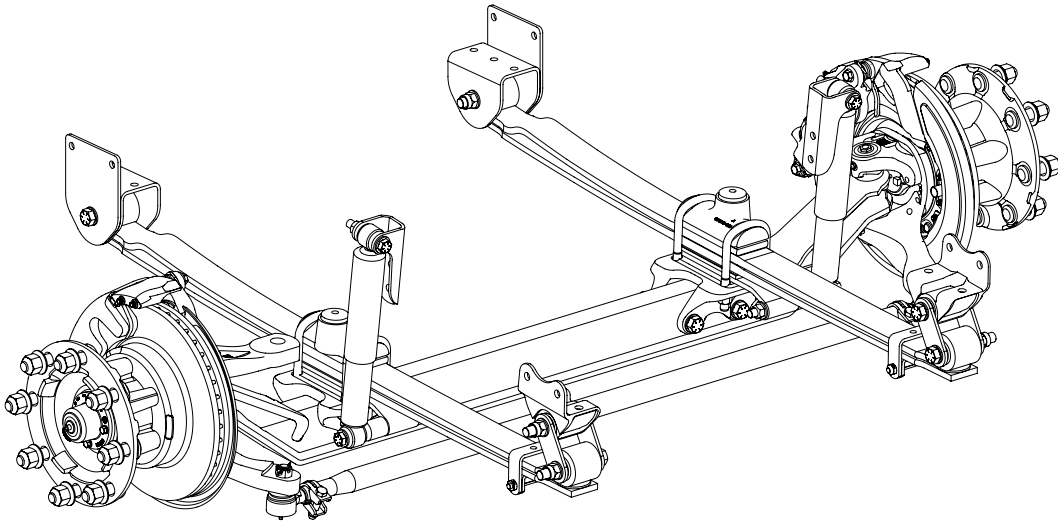
LIT NO: SP-349

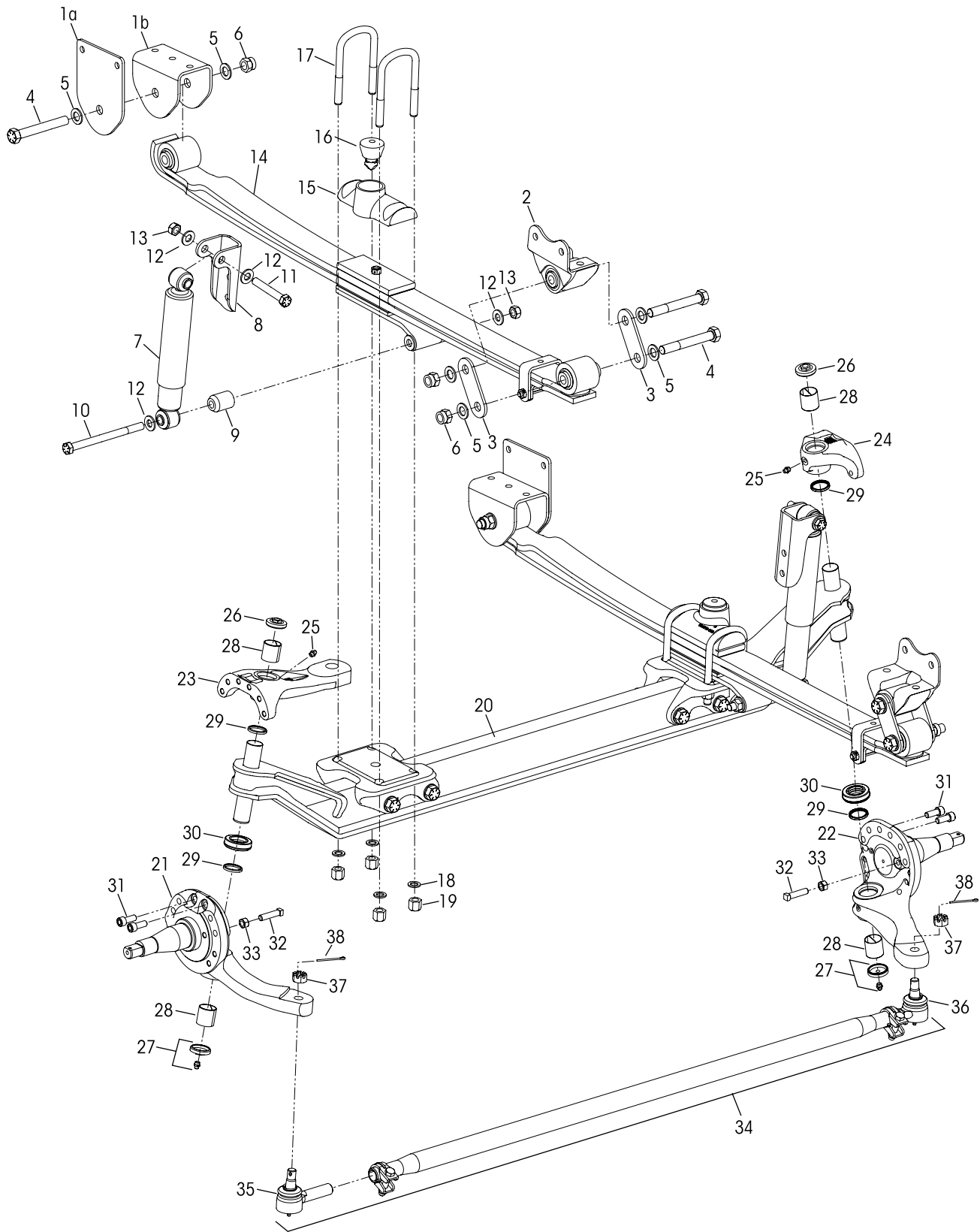
DATE: July 2023

REVISION: A

CONTENTS

DESCRIPTION	PAGE
Parts List	2
Notes	3
Wheel End Assembly with Hydraulic Disc Brakes . .	4







SOFTEK® Front Suspension for Shyft Blue Arc Medium-duty Electric Vans

KEY NO.	PART NO.	DESCRIPTION	VEHICLE QTY.	KEY NO.	PART NO.	DESCRIPTION	VEHICLE QTY.
1		Frame Hanger Plate				Lower Steering Knuckle Assembly, Includes Key Nos. 27-29, 32-33	
a	94136-000	Outer	2	21	91221-501	Left Hand	1
b	94137-000	Inner	2	22	91221-502	Right Hand	1
2	94113-000	Rear Shackles Bracket	2			Upper Steering Knuckle Assembly, Includes Key Nos. 25-26, 28-29	
3	94143-000	Rear Shackles Plate	4	23	93605-004	Left Hand,	1
	34013-496	Front and Rear Spring Eye Fastener Kit, One Side, Includes Key Nos. 4-6		24	94174-001	Right Hand	1
4	50764-002	3/4"-10 x 5 1/2" Hex Bolt	6		34013-448	Kingpin Bushing Service Kit, One Side, Includes Key Nos. 25-28 & Loctite	
5	22962-001	3/4" Flat Washer	12	25	33117-000	Grease Zerk	2
6	17700-038	3/4"-10 UNC-2B Locknut	6	26	91231-001	Upper Grease Cap Assembly	2
7	94144-003	Shock Absorber	2	27	91233-001	Lower Grease Cap Assembly	2
8	94145-000	Shock Absorber Upper Bracket	2	28	91204-001	Kingpin Bushing	4
9	94333-001	Shock Absorber Spacer-Tapered	2		34013-449	Roller Thrust Bearing Service Kit, One Side, Includes Key Nos. 29-31 & Loctite	
	50754-088	Single Shock Absorber Fastener Kit, Includes Key Nos. 10-13		29	91234-001	Kingpin Seal	4
10		*5/8"-11 x 8" Hex Screw	2	30	91202-001	Roller Thrust Bearing	2
11		*5/8"-11 x 4" Hex Screw	2	31	60236-004	1/2"-13 UNC Socket Head Cap Screw	4
12		*5/8" Flat Washer	8	Not Shown	60937-000	Loctite® (Red) Compound Tube	1
13		*5/8"-11 UNC-2B Locknut	4		60961-069	Stop Bolt Service Kit, One Side, Includes Key Nos. 32-33	
14	83049-000	Leaf Spring, 6.5K Front Taper	2	32		*1/2"-13 UNC Square Head Stop Bolt	2
	94134-000	Top Pad / Axle Stop Assembly, Includes Key Nos. 15-16		33		*1/2"-13 UNC Hex Jam Nut	2
15	94110-000	Top Pad	2	34	91226-005	Tie Rod Assembly, Includes Key Nos. 35-37	1
16	64080-000	Axle Stop	2			Tie Rod End Service Kits	
	91430-081	U-bolt Kit, One Wheel End, Includes Key No. 17 & Kit No. 48718-504			34013-499	Axle Set, Includes Left Hand and Right Hand Kits	
17		*5/8"-18 UNF Square U-bolt	4		34013-500	Left Hand, Includes Key Nos. 35, 37-38	
	48718-504	U-bolt Fasteners Service Kit, One Wheel End, Includes Key Nos. 18-19			34013-501	Right Hand, Includes Key Nos. 36-38	
18		*5/8" Flat Washer	8			Tie Rod End, Includes Key No. 37	
19		*5/8"-18 UNF-2B High Hex Locknut	8	35	91226-101	Left Hand	1
	94167-001	STEERTEK NXT Axle Assembly, Includes Key Nos. 20-38	1	36	91226-102	Right Hand	1
20	94166-001M	Axle Assembly	1	37		*3/4" Castle Nut	2
				38	17800-004	Tie Rod Nut Cotter Pin	2

NOTES: Quantities specified are for the vehicle. Quantities of service kit components may vary from amount shown in the list.

* Item included in assembly/ service kit only, part not sold separately.

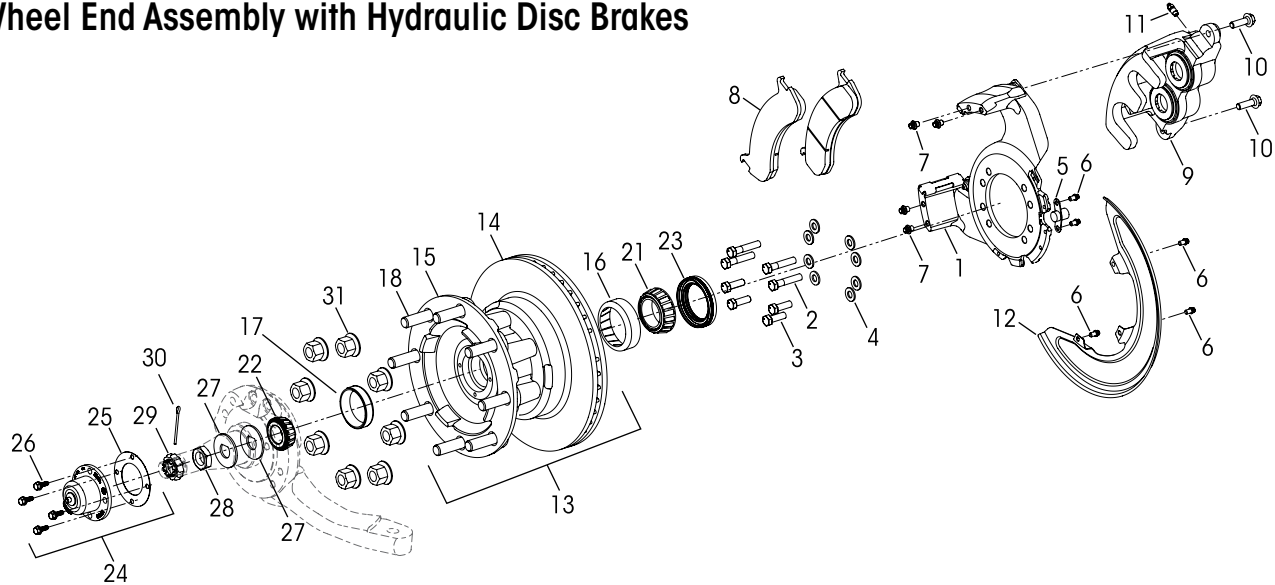
** These components are installed by Hendrickson for new production assembly but not supplied for aftermarket service purposes. Description and part number listed for reference only. For more information and assistance with service, maintenance and rebuild instructions on these components see below component manufacturers:

- BOSCH technical and parts support 888.715.3616 or online www.boschautoparts.com
- DRIVPARTS parts support 800-334-3210 or online www.drivparts.com
- SKF parts support 800-533-6563, email: vsm.aftermarket.custsrv@skf.com, website: vehicleaftermarket.skf.com
- TIMKEN technical and parts support 866.984.6536 or online www.timken.com/resources
- WEBB technical and part support 800.633.3256 or online www.webbwheel.com

*** Not supplied by Hendrickson, used for reference only. Contact the vehicle manufacturer for more information.



Wheel End Assembly with Hydraulic Disc Brakes



KEY NO.	PART NO.	DESCRIPTION	VEHICLE QTY.
1		**Bosch Torque Plate Assembly Left Hand, Part No. 0 204 002 771 Right Hand, Part No. 0 204 002 772	1 1
2	24531-004	½"-13 UNC x 2½" Brake Mounting Hex Bolts (Primary)	8
3	24531-007	½"-13 UNC x 1½" Brake Mounting Hex Bolts (Secondary)	8
4	22962-011	½" Hardened Flat Washer	16
5		**Bosch ABS Sensor Bracket Part No. 0 204 793 126	2
6	93398-001	5/16"-18 UNC x ½" Lobe Bolt	10
7	93274-010	M10 x 1.5 Lobe Screw	8
8		**Bosch Brake Pads, Part No. 0 204 816 587	4
9		**Bosch Hydraulic Disc Brake Caliper Assembly, Part No. 0 204 719 661	2
10		**Bosch M12 x 1.25 x 40 Hex Bolt Part No. 0 204 062 176	4
11		**7/16" Bleeder Screw, Part No. 0 204 AJ2122	2
12		**Bosch Dust Shield, Part No. 0 204 793 130	2
13		**Webb Disc Brake Hub & Rotor Assembly, Includes Key Nos. 14-20, Part No. 25505XX5	2
14		**Brake Rotor Part No. 54770P-98	2

KEY NO.	PART NO.	DESCRIPTION	VEHICLE QTY.
15		**Hub Assembly Includes Key Nos. 16-17 Part No. 25501-0	2
16		*Inner Bearing Cup	2
17		*Outer Bearing Cup	2
18		**M22 Wheel Stud 2.4" Standout Part No. 101193	16
19		**¾" Cap Screw (Not Shown) Part No. 87511	12
20		**¾" Flat Washer (Not Shown) Part No. 257	12
21		**GBC Inner Bearing Cone Part No. JM207049A	2
22		**GBC Outer Bearing Cone Part No. 25877-01	2
23		**Drivparts Wheel Seal Part No. 370150A	2
24		**SKF Hubcap Assembly, Part No. 1608 Includes Key Nos. 25-26	2
25		**Hubcap Gasket Part No. 453868	2
26		**Hubcap Bolts Part No. 454304	8
27		**Spindle Lock Washer	4
28	91242-000	1 ½"-12 Spindle Nut	2
29	93288-000	Spindle Nut Lock	2
30	17800-004	Spindle Nut Cotter Pin	2
31		***M22 x 1.5 Lug Nut	16

For all (*) see Notes on Page 3

This is a general parts list to provide directional information. Components may vary by model. Questions in regards to parts, contact Hendrickson Truck Parts at 1.866.755.5968 (Toll-free U.S. and Canada), 630.910.2800 (Outside U.S. and Canada) or email: truckparts@hendrickson-intl.com.

Actual product performance may vary depending upon vehicle configuration, operation, service and other factors. All applications must comply with applicable Hendrickson specifications and must be approved by the respective vehicle manufacturer with the vehicle in its original, as-built configuration. Contact Hendrickson for additional details regarding specifications, applications, capacities, and operation, service and maintenance instructions.

Call Hendrickson at 1.866.755.5968 (toll-free) or 1.630.910.2800 for additional information.



www.hendrickson-intl.com

TRUCK COMMERCIAL VEHICLE SYSTEMS
800 South Frontage Road
Woodridge, IL 60517-4904 USA
1.866.755.5968 (Toll-free U.S. and Canada)
1.630.910.2800 (Outside U.S. and Canada)
Fax 1.630.910.2899

SP-349 Rev A 07-23

© 2023 Hendrickson USA, L.L.C. All Rights Reserved. All trademarks shown are owned by Hendrickson USA, L.L.C., or one of the affiliates, in one or more countries. Information contained in this literature was accurate at the time of publication. Product changes may have been made after the copyright date that are not reflected.

Printed in United States of America