

# TECHNICAL PROCEDURE

## TRAILER SUSPENSION SYSTEMS

**SUBJECT:** Recommended Ride Height Settings

**LIT NO:** L388

**DATE:** October 2018

**REVISION:** I

The tables in this publication list the recommended or “designed” ride heights for all current Hendrickson trailer suspensions. The designed ride height helps optimize suspension performance and helps maintain load equalization among the axles.

**NOTE:** Ride height is just one of many factors that influence load equalization. Even small adjustments in ride height (within the specified range) can impact the way the load is distributed among the axles.

Operating an air suspension outside its specified ride height range can reduce ride quality, damage cargo and increase suspension wear. To take full advantage of the benefits an air-ride suspension has to offer, each suspension on the trailer should be operated at its designed ride height.

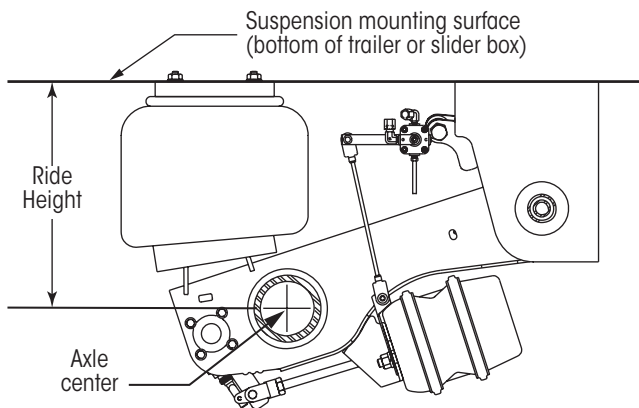


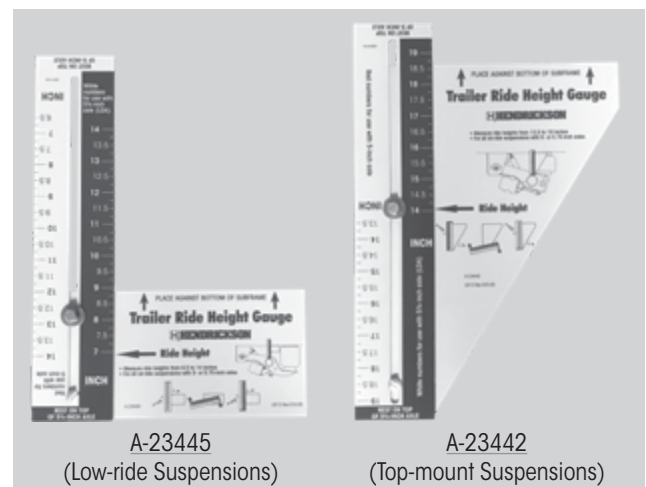
Figure 1: Ride height defined

A suspension’s designed ride height is defined as the distance from the suspension mounting surface (the bottom of the trailer frame or slider box) to the center of the axle. See [Figure 1](#).

There are two easy ways to determine a suspension’s ride height:

For safety and precautionary statements, refer to Hendrickson literature number [T12007](#), available at [www.Hendrickson-intl.com/TrailerLit](http://www.Hendrickson-intl.com/TrailerLit).

### I. USING A HENDRICKSON RIDE HEIGHT GAUGE



A-23445

(Low-ride Suspensions)

A-23442

(Top-mount Suspensions)

Figure 2: Hendrickson ride height gauges

**Follow** instructions on the gauge (Figure 2) to measure the distance between the axle and the mounting surface of the suspension. A ride height gauge works with both 5-inch and LDA™ Large-Diameter Axles. Just make sure you are using the proper scale on the ride height gauge. The tool can also be used as a GO/NO-GO gauge.

**NOTE:** To order a Ride Height Gauge, contact the Hendrickson customer service department at 866.RIDEAIR (743.3247) and specify:

- A-23442 Ride Height Gauge for conventional top-mount suspensions
- A-23445 Ride Height Gauge for low-ride suspensions.

## II. USING A TAPE MEASURE

1. **Measure** the distance from the top of the axle to the mounting surface of the suspension (Figure 3).
2. **Add** half of the axle diameter to this measurement to determine your suspension's ride height.

For example: on 5-inch axles, add 2½ (2.5) inches to the measured distance, and on LDAT™ Large Diameter Axle, add 2⅞ (2.88) inches to the measured distance.

3. **Compare** this measured ride height with the listing in the appropriate table (see page 3 through page 6).

**NOTE:** While we recommend that our suspensions operate at their designed ride height, they can be satisfactorily operated within the range listed in the table applicable to your suspension model or type.

If the measured ride height does not fall within the range listed in the table, the suspension's ride height must be adjusted. Refer to Hendrickson publication *L459 Checking Trailer Ride Height*, for complete ride height adjustment instructions.

If your suspension model number is not listed in the tables, contact the Hendrickson technical service department in the United States and Canada at 866.RIDEAIR (743.3247) for ride height range information.

### DESIGNED RIDE HEIGHT AND SURELOK®

SURELOK® is a ride height locking device that uses mechanical support arms to maintain the trailer's height for efficient trailer loading. When engaged, the mechanical support arms help limit trailer "drop" and "walk" during the loading/unloading process.

**NOTE:** Refer to Hendrickson publications L816, DOCK SOLUTIONS or T15001, TRAILER AIR SUSPENSIONS CONCEPT AND FUNCTIONS for a complete description of trailer drop and walk.

**If a suspension is equipped with SURELOK, it should be operated as close as possible to its designed ride height. Suspension ride height is the primary consideration for optimal SURELOK performance (not the amount of clearance between the SURELOK support arms and the suspension beam). When the suspension is operated at its designed ride height, the SURELOK support arms will have the proper clearance from the suspension beams.**

Any increase above the specified maximum ride height can reduce the effectiveness of SURELOK to limit trailer drop and/or walk. See Figure 4. Conversely, any ride height set below the specified minimum ride height value will prevent the SURELOK support arms from properly engaging. See Figure 5.

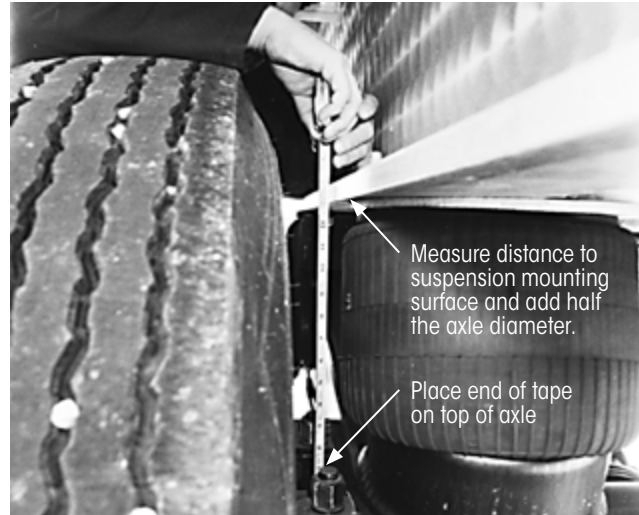


Figure 3: Measuring ride height using tape measure

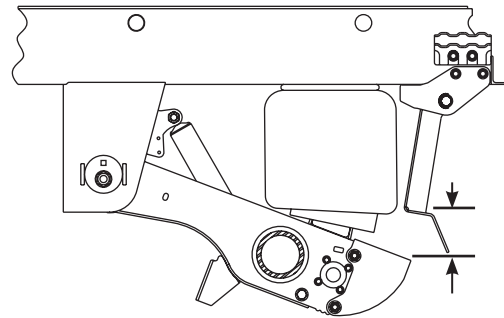


Figure 4: Ride height set too high

- A. If ride height is set **above the specified maximum** value (Figure 4), the trailer has the potential to exhibit excessive "walk" and/or drop before the SURELOK support arms can contact the beam and maintain trailer height.

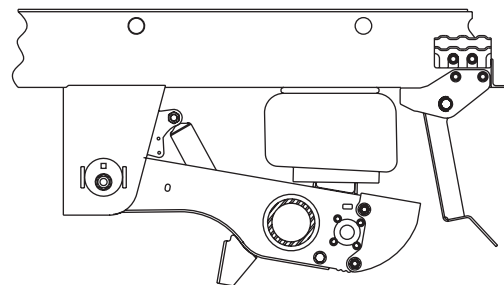


Figure 5: Ride height set too low

- B. If ride height is set **below the specified minimum** value (Figure 5), the SURELOK support arms (shown in retracted position) cannot contact and properly engage the beam.



**INTRAAX® AAT 23K, AAT 25K & AAT 30K LARGE DIAMETER AXLE RIDE HEIGHT SETTINGS\***

| SUSPENSION TRAVEL                          | DESIGNED RIDE HEIGHT | MINIMUM RIDE HEIGHT | MAXIMUM RIDE HEIGHT |
|--|----------------------|---------------------|---------------------|
| <b>STANDARD</b>                            | 13.5"                | 13.25"              | 15.75"              |
|  | 14"                  | 13.25"              | 15.75"              |
|  | 15"                  | 14.25"              | 15.75"              |
|  | 16"                  | 15.25"              | 17.75"              |
|  | 17"                  | 16.25"              | 17.75"              |
|  | 18"                  | 17.25"              | 19.75"              |
|  | 19"                  | 18.25"              | 19.75"              |
| <b>HIGH CONTROL</b>                        | 13.5"                | 13.5"               | 16"                 |
|  | 14"                  | 13.5"               | 16"                 |
|  | 15"                  | 14.5"               | 16"                 |
|  | 16"                  | 15.5"               | 18.5"               |
|  | 17"                  | 16.5"               | 18.5"               |
| <b>LIMITED REBOUND</b>                     | 14"                  | 13.25"              | 14.5"               |
|  | 16"                  | 15.25"              | 16.5"               |
|  | 18"                  | 17.25"              | 18.5"               |
| <b>LIMITED JOUNCE</b>                      | 14"                  | 14"                 | 15.75"              |
|  | 15"                  | 15"                 | 15.75"              |
|  | 16"                  | 16"                 | 17.75"              |
|  | 17"                  | 17"                 | 17.75"              |
| <b>ZMD® STANDARD <sup>1</sup></b>          | 14"                  | 13.5"               | 14.5"               |
|  | 15"                  | 14.5"               | 15.5"               |
|  | 16"                  | 15.5"               | 16.5"               |
|  | 17"                  | 16.5"               | 17.5"               |
| <b>ZMD® LIMITED REBOUND <sup>1,2</sup></b> | 14"                  | 13.5"               | 14.5"               |
|  | 16"                  | 15.5"               | 16.5"               |

<sup>1</sup> Option available for AAT 23K models only.  
<sup>2</sup> Option available for RCA Raised Center Axle only.

**INTRAAX® AANT 23K, AAZNT 23K, AAZNT 46K & AAZNT 69K RIDE HEIGHT SETTINGS\***

| SUSPENSION TRAVEL | DESIGNED RIDE HEIGHT | MINIMUM RIDE HEIGHT | MAXIMUM RIDE HEIGHT |
|-------------------|----------------------|---------------------|---------------------|
| <b>STANDARD</b>   | 12"                  | 11.75"              | 13"                 |
|                   | 13.5"                | 13.25"              | 15.75"              |
|                   | 14"                  | 13.25"              | 15.75"              |
|                   | 15"                  | 14.25"              | 15.75"              |
|                   | 16"                  | 15.25"              | 17.75"              |
|                   | 17"                  | 16.25"              | 17.75"              |
|                   | 18" <sup>1</sup>     | 17.25"              | 19.75"              |
|                   | 19"                  | 18.25"              | 19.75"              |

<sup>1</sup> Ride height not available on AANT 23K models.  
<sup>2</sup> Option available for AANT 23K models only.

\* If any of these suspensions are equipped with SURELOK®, they should be operated as close as possible to the designed ride height. Refer to the section titled DESIGNED RIDE HEIGHT AND SURELOK® on page 2 for details on how an improper ride height can reduce the effectiveness of SURELOK to limit trailer drop and/or walk, or prevent the SURELOK support arms from properly engaging.



**INTRAAX® AANT 23K, AAZNT 23K, AAZNT 46K & AAZNT 69K RIDE HEIGHT SETTINGS\***

| SUSPENSION TRAVEL                | DESIGNED RIDE HEIGHT | MINIMUM RIDE HEIGHT | MAXIMUM RIDE HEIGHT |
|----------------------------------|----------------------|---------------------|---------------------|
| <b>ZMD® STANDARD<sup>2</sup></b> | 14"                  | 13.5"               | 14.5"               |
|                                  | 15"                  | 14.5"               | 15.5"               |
|                                  | 16"                  | 15.5"               | 16.5"               |
|                                  | 17"                  | 16.5"               | 17.5"               |
| <b>HIGH CONTROL</b>              | 13.5"                | 13.5"               | 16"                 |
|                                  | 14"                  | 13.5"               | 16"                 |
|                                  | 15"                  | 14.5"               | 16"                 |
|                                  | 16"                  | 15.5"               | 18.5"               |
|                                  | 17"                  | 16.5"               | 18.5"               |
| <b>LIMITED JOUNCE</b>            | 14"                  | 13.25"              | 14.5"               |
|                                  | 16"                  | 15.25"              | 16.5"               |
| <b>LIMITED REBOUND</b>           | 14"                  | 13.25"              | 14.5"               |
|                                  | 16"                  | 15.25"              | 16.5"               |
|                                  | 18"                  | 17.25"              | 18.5"               |

<sup>1</sup> Ride height not available on AANT 23K models.  
<sup>2</sup> Option available for AANT 23K models only.

**INTRAAX® AAEDT 30K RIDE HEIGHT SETTINGS**

| SUSPENSION TRAVEL                  | DESIGNED RIDE HEIGHT | MINIMUM RIDE HEIGHT | MAXIMUM RIDE HEIGHT |
|------------------------------------|----------------------|---------------------|---------------------|
| <b>STANDARD<br/>(FRONT SHOCKS)</b> | 14"                  | 13.75"              | 15.25"              |
|                                    | 15"                  | 14.5"               | 15.75"              |
|                                    | 16"                  | 15.25"              | 17.75"              |
|                                    | 17"                  | 15.25"              | 17.75"              |
| <b>STANDARD<br/>(REAR SHOCKS)</b>  | 14"                  | 13.75"              | 14.75"              |
|                                    | 15"                  | 14.5"               | 15.5"               |
|                                    | 16"                  | 15.25"              | 17.5"               |
|                                    | 17"                  | 15.25"              | 17.5"               |

\* If any of these suspensions are equipped with SURELOK®, they should be operated as close as possible to the designed ride height. Refer to the section titled DESIGNED RIDE HEIGHT AND SURELOK® on page 2 for details on how an improper ride height can reduce the effectiveness of SURELOK to limit trailer drop and/or walk, or prevent the SURELOK support arms from properly engaging.



**INTRAAX® AAL 23K, AAL 25K, AAL 30K, AAEDL 30K, AAZL 23K & AAZL 46K RIDE HEIGHT SETTINGS**

| SUSPENSION TRAVEL | DESIGNED RIDE HEIGHT | MINIMUM RIDE HEIGHT | MAXIMUM RIDE HEIGHT |
|-------------------|----------------------|---------------------|---------------------|
| STANDARD          | 6.5"                 | 6.5"                | 7.5"                |
|                   | 7.5"                 | 6.5"                | 7.5"                |
|                   | 8"                   | 7.25"               | 10"                 |
|                   | 9"                   | 7.25"               | 10"                 |
|                   | 12"                  | 10"                 | 13.5"               |
|                   | 14"                  | 11.25"              | 15"                 |
|                   | 15"                  | 12.75"              | 15"                 |
|                   | 16"                  | 13.5"               | 17"                 |
|                   | 17"                  | 14.25"              | 17"                 |
|                   | 19"                  | 16.5"               | 19"                 |
|                   | 21"                  | 18.5"               | 21"                 |
| LIMITED JOUNCE    | 9"                   | 8.5"                | 10"                 |
|                   | 12"                  | 11"                 | 13.5"               |
|                   | 14"                  | 12.5"               | 15"                 |
|                   | 15"                  | 13.5"               | 15"                 |
|                   | 16"                  | 14.5"               | 17"                 |
|                   | 17"                  | 15.5"               | 17"                 |
|                   | 19"                  | 17.5"               | 19"                 |
| 21"               | 19.25"               | 21"                 |                     |

**INTRAAX® AANL 23K RIDE HEIGHT SETTINGS**

| SUSPENSION TRAVEL | DESIGNED RIDE HEIGHT | MINIMUM RIDE HEIGHT | MAXIMUM RIDE HEIGHT |
|-------------------|----------------------|---------------------|---------------------|
| STANDARD          | 6.5"                 | 6.5"                | 8"                  |
|                   | 7.5"                 | 6.5"                | 8"                  |
|                   | 8" <sup>1</sup>      | 7.5" <sup>1</sup>   | 10" <sup>1</sup>    |
|                   | 9"                   | 7.5"                | 10"                 |
|                   | 12"                  | 10"                 | 13"                 |
|                   | 14"                  | 11.5"               | 15"                 |
|                   | 15"                  | 12.75"              | 15"                 |
|                   | 16"                  | 13.75"              | 17"                 |
|                   | 17"                  | 14.5"               | 17"                 |
| LIMITED JOUNCE    | 8"                   | 8"                  | 10"                 |
|                   | 9"                   | 8.5"                | 10"                 |
|                   | 12"                  | 11"                 | 13.5"               |
|                   | 14"                  | 12.5"               | 15"                 |
|                   | 15"                  | 13.5"               | 15"                 |
|                   | 16"                  | 14.5"               | 17"                 |
|                   | 17"                  | 15.5"               | 17"                 |

## RECOMMENDED RIDE HEIGHT SETTINGS



### INTRAAX® AANLS 20K RIDE HEIGHT SETTINGS

| SUSPENSION TRAVEL | DESIGNED RIDE HEIGHT | MINIMUM RIDE HEIGHT | MAXIMUM RIDE HEIGHT |
|-------------------|----------------------|---------------------|---------------------|
| STANDARD          | 6.25"                | 6.25"               | 8"                  |
|                   | 7"                   | 6.25"               | 8"                  |
|                   | 9"                   | 8"                  | 9.5"                |
|                   | 12"                  | 10.5"               | 12"                 |

### ULTRAA-K® UTKNT 40K RIDE HEIGHT SETTINGS\*

16" Ride height - No adjustments allowed.

### VANTRAA® HKAT 18K, HKAT 20K AND HKAT 40K RIDE HEIGHT SETTINGS\*

| SUSPENSION TRAVEL | DESIGNED RIDE HEIGHT | MINIMUM RIDE HEIGHT | MAXIMUM RIDE HEIGHT |
|-------------------|----------------------|---------------------|---------------------|
| STANDARD          | 14"                  | 13.75"              | 15.25"              |
|                   | 15"                  | 14.75"              | 15.25"              |
|                   | 16"                  | 16"                 | 17.25"              |
|                   | 16.5"                | 16.5"               | 17.25"              |
|                   | 17"                  | 17"                 | 17.25"              |
|                   | 18"                  | 18"                 | 19.25"              |
|                   | 19"                  | 19"                 | 19.25"              |

### VANTRAA® HKAT 46K RIDE HEIGHT SETTINGS\*

| SUSPENSION TRAVEL | DESIGNED RIDE HEIGHT | MINIMUM RIDE HEIGHT | MAXIMUM RIDE HEIGHT |
|-------------------|----------------------|---------------------|---------------------|
| STANDARD          | 14"                  | 13.75"              | 15.75"              |
|                   | 15"                  | 14.75"              | 15.75"              |
|                   | 16"                  | 16"                 | 17.75"              |
|                   | 16.5"                | 16.5"               | 17.75"              |
|                   | 17"                  | 17"                 | 17.75"              |
|                   | 18"                  | 18"                 | 19.75"              |
|                   | 19"                  | 19"                 | 19.75"              |

### VANTRAA® HKAT 25K AND HKAT 50K RIDE HEIGHT SETTINGS\*

| SUSPENSION TRAVEL | DESIGNED RIDE HEIGHT | MINIMUM RIDE HEIGHT | MAXIMUM RIDE HEIGHT |
|-------------------|----------------------|---------------------|---------------------|
| STANDARD          | 16"                  | 16"                 | 17.5"               |
|                   | 16.5"                | 16.5"               | 17.5"               |
|                   | 17"                  | 17"                 | 17.5"               |
|                   | 18"                  | 18"                 | 19.75"              |
|                   | 19"                  | 19"                 | 19.75"              |

\* If any of these suspensions are equipped with SURELOK®, they should be operated as close as possible to the designed ride height. Refer to the section titled DESIGNED RIDE HEIGHT AND SURELOK® on page 2 for details on how an improper ride height can reduce the effectiveness of SURELOK to limit trailer drop and/or walk, or prevent the SURELOK support arms from properly engaging.

**VANTRAAX® HKAT 50K & 69K25 RIDE HEIGHT SETTINGS\***

| SUSPENSION TRAVEL | DESIGNED RIDE HEIGHT | MINIMUM RIDE HEIGHT | MAXIMUM RIDE HEIGHT |
|-------------------|----------------------|---------------------|---------------------|
| STANDARD          | 16"                  | 16"                 | 17.5"               |
|                   | 16.5"                | 16.5"               | 17.5"               |
|                   | 17"                  | 17"                 | 17.5"               |
|                   | 18"                  | 18"                 | 19.75"              |
|                   | 19" <sup>1</sup>     | 19"                 | 19.75"              |

<sup>1</sup> Ride height not available on HKAT 69K25 models

**VANTRAAX® HKANT & HKAT 69K23 RIDE HEIGHT SETTINGS\***

| SUSPENSION TRAVEL | DESIGNED RIDE HEIGHT | MINIMUM RIDE HEIGHT | MAXIMUM RIDE HEIGHT |
|-------------------|----------------------|---------------------|---------------------|
| STANDARD          | 16"                  | 16"                 | 17.5"               |
|                   | 16.5"                | 16.5"               | 17.5"               |
|                   | 17"                  | 17"                 | 17.5"               |
|                   | 18"                  | 18"                 | 19.5"               |

**VANTRAAX® HKANT 23K AND 46K RIDE HEIGHT SETTINGS\***

| SUSPENSION TRAVEL | DESIGNED RIDE HEIGHT | MINIMUM RIDE HEIGHT | MAXIMUM RIDE HEIGHT |
|-------------------|----------------------|---------------------|---------------------|
| 49" AXLE SPACING  | 16"                  | 16"                 | 18"                 |
|                   | 17"                  | 17"                 | 18"                 |
| 121" AXLE SPACING | 16"                  | 16"                 | 17.25"              |
|                   | 17"                  | 17"                 | 17.25"              |

**VANTRAAX® HKARL 46K (RAMP-READY SLIDER) & HKAL 46K RIDE HEIGHT SETTINGS**

| SUSPENSION TRAVEL | DESIGNED RIDE HEIGHT | MINIMUM RIDE HEIGHT | MAXIMUM RIDE HEIGHT |
|-------------------|----------------------|---------------------|---------------------|
| STANDARD          | 9"                   | 8.5"                | 11.5"               |
|                   | 10"                  | 9.5"                | 11.5"               |
|                   | 11"                  | 10.5"               | 12"                 |
|                   | 12"                  | 11.5"               | 12"                 |

**VANTRAAX® HKANL 23K RIDE HEIGHT SETTINGS**

| SUSPENSION TRAVEL | DESIGNED RIDE HEIGHT | MINIMUM RIDE HEIGHT | MAXIMUM RIDE HEIGHT |
|-------------------|----------------------|---------------------|---------------------|
| STANDARD          | 16" & 17"            | 14"                 | 17"                 |

**HT™ SERIES HT190 RIDE HEIGHT SETTINGS**

| SUSPENSION MODEL NUMBER                     | DESIGNED RIDE HEIGHT | MINIMUM RIDE HEIGHT | MAXIMUM RIDE HEIGHT |
|---|----------------------|---------------------|---------------------|
| <b>UNDERSLUNG PRIMARY FIXED SUSPENSIONS</b> |                      |                     |                     |

\* If any of these suspensions are equipped with SURELOK®, they should be operated as close as possible to the designed ride height. Refer to the section titled DESIGNED RIDE HEIGHT AND SURELOK® on page 2 for details on how an improper ride height can reduce the effectiveness of SURELOK to limit trailer drop and/or walk, or prevent the SURELOK support arms from properly engaging.



**HT™ SERIES HT190 RIDE HEIGHT SETTINGS**

| SUSPENSION MODEL NUMBER  | DESIGNED RIDE HEIGHT | MINIMUM RIDE HEIGHT | MAXIMUM RIDE HEIGHT |
|--|----------------------|---------------------|---------------------|
| HT190UB6-020   | 6"                   | 6"                  | 8.25"               |
| HT190UB7-001   | 7"                   | 7"                  | 8.25"               |
| HT190UB7.5-001   | 7.5"                 | 7.25"               | 8.75"               |
| HT190UB9-001   | 9"                   | 8.75"               | 10.25"              |
| HT190UB12-001  | 12"                  | 11.75"              | 12.75"              |
| <b>TOP MOUNT PRIMARY FIXED SUSPENSIONS*</b>  |                      |                     |                     |
| HT190TA14-005  | 14"                  | 14"                 | 15.25"              |
| HT190TA15-005  | 15"                  | 14.75"              | 16.25"              |
| HT190TA16-005  | 16"                  | 16"                 | 17"                 |
| HT190TA17-005  | 17"                  | 16.75"              | 18.25"              |
| <b>HK SLIDER SUSPENSIONS (HT190T SUSPENSION ON K-2® SLIDER BOX)*</b>                     |                      |                     |                     |
| HK190T-16  | 16"                  | 15.75"              | 16.25"              |
| HK190T-16.5  | 16.5"                | 16.5"               | 16.75"              |
| HK190T-17  | 17"                  | 16.75"              | 17.25"              |
| HK190T-18  | 18"                  | 17.75"              | 18.25"              |
| HK190T-19  | 19"                  | 18.75"              | 19.25"              |
| <b>HK RAMP-READY SLIDER SUSPENSIONS (HT200U SUSPENSION ON K-2 RAMP-READY SLIDER BOX)</b> |                      |                     |                     |
| HTHCR200U9   | 9"                   | 8.75"               | 10"                 |
| HTHCR200U10  | 10"                  | 9.75"               | 11"                 |
| HTHCR200U11  | 11"                  | 10.75"              | 12.5"               |
| HTHCR200U12  | 12"                  | 11.75"              | 12.5"               |
| <b>HT190TA SUSPENSIONS ON NON-HENDRICKSON SLIDER BOX*</b>                                |                      |                     |                     |
| HT190TA14-001  | 14"                  | 14"                 | 15"                 |
| HT190TA15-001  | 15"                  | 14.75"              | 16.25"              |
| HT190TA16-001  | 16"                  | 16"                 | 17"                 |
| HT190TA17-001  | 17"                  | 16.75"              | 18.25"              |

**HK™ SERIES HK190 / HK230 RIDE HEIGHT SETTINGS\***

| SUSPENSION TRAVEL | DESIGNED RIDE HEIGHT | MINIMUM RIDE HEIGHT | MAXIMUM RIDE HEIGHT |
|-------------------|----------------------|---------------------|---------------------|
| <b>STANDARD</b>   | 16"                  | 15.75"              | 16.25"              |
|                   | 16.5"                | 16.5"               | 16.75"              |
|                   | 17"                  | 16.75"              | 17.25"              |
|                   | 18"                  | 17.75"              | 18.25"              |
|                   | 19"                  | 18.75"              | 19.25"              |

\* If any of these suspensions are equipped with SURELOK®, they should be operated as close as possible to the designed ride height. Refer to the section titled DESIGNED RIDE HEIGHT AND SURELOK® on page 2 for details on how an improper ride height can reduce the effectiveness of SURELOK to limit trailer drop and/or walk, or prevent the SURELOK support arms from properly engaging.



**HT™ SERIES HT230 RIDE HEIGHT SETTINGS**

| SUSPENSION MODEL NUMBER   | DESIGNED RIDE HEIGHT | MINIMUM RIDE HEIGHT | MAXIMUM RIDE HEIGHT |
|---|----------------------|---------------------|---------------------|
| <b>PRIMARY FIXED SUSPENSIONS*</b>                                   |                      |                     |                     |
| HT230TA14-001, -002 & -007  | 14"                  | 14"                 | 16"                 |
| HT230TA15-001, -002 & -007  | 15"                  | 15"                 | 17"                 |
| HT230TA16-001, -002 & -007  | 16"                  | 16"                 | 17.75"              |
| HT230TA17-001, -002 & -007  | 17"                  | 17"                 | 19"                 |
| HT230TA19-001<br>HT230TB19-001                                      | 19"                  | 19"                 | 20.75"              |
| <b>HK SLIDER SUSPENSIONS (HT230 SUSPENSION ON K-2® SLIDER BOX)*</b> |                      |                     |                     |
| HK230-16  | 16"                  | 15.75"              | 16.25"              |
| HK230-16.5  | 16.5"                | 16.5"               | 16.75"              |
| HK230-17  | 17"                  | 16.75"              | 17.25"              |
| HK230-18  | 18"                  | 17.75"              | 18.25"              |
| HK230-19  | 19"                  | 18.75"              | 19.25"              |
| <b>HT230 SUSPENSIONS ON NON-HENDRICKSON SLIDER BOX*</b>             |                      |                     |                     |
| HT230TA14-004<br>HT230TB14-003                                      | 14"                  | 14"                 | 15.75"              |
| HT230TA15-009<br>HT230TB15-009<br>HT230TB15-010                     | 15"                  | 15"                 | 16.75"              |
| HT230TA16-004<br>HT230TB16-003<br>HT230TB16-004                     | 16"                  | 16"                 | 17.75"              |
| HT230TB17-009<br>HT230TB17-010                                      | 17"                  | 17"                 | 18.75"              |
| <b>LIFTABLE SUSPENSIONS</b>   |                      |                     |                     |
| HT230TB15-003   | 15"                  | 14.25"              | 16"                 |
| HT230TB17-003   | 17"                  | 16"                 | 18"                 |

**HT™ SERIES HT250 RIDE HEIGHT SETTINGS**

| SUSPENSION MODEL NUMBER   | DESIGNED RIDE HEIGHT | MINIMUM RIDE HEIGHT | MAXIMUM RIDE HEIGHT |
|---|----------------------|---------------------|---------------------|
| <b>TOP MOUNT LIFTABLE FIXED SUSPENSIONS*<sup>1</sup></b>  |                      |                     |                     |
| HT250TB12-001   | 12"                  | 11.75"              | 14.5"               |
| HT250TB14-001   | 14"                  | 11.75"              | 14.5"               |
| HT250TB15-001   | 15"                  | 13"                 | 15"                 |
| HT250TB16-001   | 16"                  | 14"                 | 16"                 |
| HT250TB17-001   | 17"                  | 15"                 | 17"                 |
| HT250TB19-001   | 19"                  | 16"                 | 19"                 |
| <b>UNDERSLUNG PRIMARY FIXED SUSPENSIONS</b>   |                      |                     |                     |
| <sup>1</sup> The HT250T is intended for use as a liftable suspension, in combination with other HT primary fixed suspension models. |                      |                     |                     |

\* If any of these suspensions are equipped with SURELOK®, they should be operated as close as possible to the designed ride height. Refer to the section titled DESIGNED RIDE HEIGHT AND SURELOK® on page 2 for details on how an improper ride height can reduce the effectiveness of SURELOK to limit trailer drop and/or walk, or prevent the SURELOK support arms from properly engaging.

# RECOMMENDED RIDE HEIGHT SETTINGS



## HT™ SERIES HT250 RIDE HEIGHT SETTINGS

| SUSPENSION MODEL NUMBER              | DESIGNED RIDE HEIGHT | MINIMUM RIDE HEIGHT | MAXIMUM RIDE HEIGHT |
|--------------------------------------|----------------------|---------------------|---------------------|
| HT250UB7.5-DB1                       | 7.5"                 | 7.0"                | 9.75"               |
| HT250UB9-DB1                         | 9"                   | 7.0"                | 9.75"               |
| <b>UNDERSLUNG Y-BEAM SUSPENSIONS</b> |                      |                     |                     |
| HT250YS-6.5-001                      | 6.5"                 | 6.25"               | 8.0"                |
| HT250YS-7.5-001                      | 7.5"                 | 6.75"               | 9.0"                |
| HT250YS-9-001                        | 9"                   | 7.25"               | 10.5"               |
| HT250YB-7.5-DB1                      | 7.5"                 | 7.5"                | 10.0"               |
| HT250YB-9-DB1                        | 9"                   | 8"                  | 10.0"               |

<sup>1</sup> The HT250T is intended for use as a liftable suspension, in combination with other HT primary fixed suspension models.

## HT™ SERIES HT250US RIDE HEIGHT SETTINGS

| SUSPENSION TRAVEL       | DESIGNED RIDE HEIGHT | MINIMUM RIDE HEIGHT | MAXIMUM RIDE HEIGHT |
|-------------------------|----------------------|---------------------|---------------------|
| <b>STANDARD</b>         | 3.5"                 | 3.5"                | 3.75"               |
|                         | 4"                   | 4"                  | 4"                  |
|                         | 5.5"                 | 5.5"                | 7"                  |
|                         | 6.5"                 | 6.5"                | 7"                  |
|                         | 7.5"                 | 7.5"                | 10.75"              |
|                         | 9"                   | 7.5"                | 10.75"              |
|                         | 12"                  | 10.25"              | 13.25"              |
|                         | 14"                  | 12.25"              | 15.25"              |
| <b>STEERABLE</b>        | 7.5"                 | 7.5"                | 10.75"              |
|                         | 9"                   | 8.25"               | 10.75"              |
|                         | 12"                  | 10.75"              | 13.25"              |
|                         | 14"                  | 12.25"              | 15.25"              |
| <b>LIMITED JOUNCE</b>   | 3.5"                 | 3.5"                | 3.5"                |
|                         | 6.5"                 | 6.5"                | 10.75"              |
|                         | 7.5"                 | 7.5"                | 10.75"              |
|                         | 9"                   | 9"                  | 10.75"              |
|                         | 12"                  | 12"                 | 15.25"              |
| <b>EXTENDED REBOUND</b> | 6.5"                 | 6.5"                | 8.5"                |
|                         | 7.5"                 | 7.5"                | 10.0"               |
|                         | 9"                   | 7.5"                | 10.25"              |

**HT™ SERIES HT300T RIDE HEIGHT SETTINGS**

| SUSPENSION MODEL NUMBER                               | DESIGNED RIDE HEIGHT | MINIMUM RIDE HEIGHT | MAXIMUM RIDE HEIGHT |
|---|----------------------|---------------------|---------------------|
| <b>TOP MOUNT PRIMARY FIXED SUSPENSIONS - STANDARD</b> |                      |                     |                     |
| HT300TB15-001   | 15"                  | 14.75"              | 16.25"              |
| HT300TB17-001   | 17"                  | 16.75"              | 18.25"              |
| HT300TB19-001   | 19"                  | 18"                 | 19"                 |
| <b>TOP MOUNT PRIMARY FIXED SUSPENSIONS - LIFTABLE</b> |                      |                     |                     |
| HT300TB17-003   | 17"                  | 15.75"              | 17.75"              |
| HT300T19-001  | 19"                  | 18"                 | 19"                 |

**HT™ SERIES HT300US RIDE HEIGHT SETTINGS**

| SUSPENSION TRAVEL       | DESIGNED RIDE HEIGHT | MINIMUM RIDE HEIGHT | MAXIMUM RIDE HEIGHT |
|-------------------------|----------------------|---------------------|---------------------|
| <b>STANDARD</b>         | 5.5"                 | 5.5"                | 7.0"                |
|                         | 6.5"                 | 6.5"                | 7.0"                |
|                         | 7.5"                 | 7.5"                | 10.5"               |
|                         | 9"                   | 7.75"               | 10.5"               |
|                         | 12"                  | 10.5"               | 13"                 |
|                         | 14"                  | 12"                 | 15"                 |
|                         | 17"                  | 14.5"               | 17.5"               |
| <b>LIMITED BOUNCE</b>   | 6.5"                 | 6.5"                | 7.0"                |
|                         | 7.5"                 | 7.5"                | 10.5"               |
|                         | 9"                   | 8.75"               | 10.5"               |
|                         | 12"                  | 11.25"              | 13"                 |
|                         | 14"                  | 13.25"              | 15"                 |
| <b>EXTENDED REBOUND</b> | 17"                  | 15.5"               | 17.5"               |
|                         | 6.5"                 | 6.5"                | 8.5"                |

Call Hendrickson at **866.RIDEAIR (743.3247)** for additional information.



**TRAILER COMMERCIAL VEHICLE SYSTEMS**

2070 Industrial Place SE  
Canton, OH 44707-2641 USA  
866.RIDEAIR (743.3247)  
330.489.0045 • Fax 800.696.4416

**Hendrickson Canada**

250 Chrysler Drive, Unit #3  
Brampton, ON Canada L6S 6B6  
800.668.5360  
905.789.1030 • Fax 905.789.1033

**Hendrickson Mexicana**

Circuito El Marqués Sur #29  
Parque Industrial El Marqués  
Pob. El Colorado, Municipio El Marqués,  
Querétaro, México C.P. 76246  
+52 (442) 296.3600 • Fax +52 (442) 296.3601

[www.hendrickson-intl.com](http://www.hendrickson-intl.com)

L388 Rev I 10-18 ECN 31426

Rev H 09-17 ECN 30015

Rev G 12-14 ECN 23616

Rev F 11-08 ECN 17212

Information contained in this literature was accurate at the time of publication. Product changes may have been made after the copyright date that are not reflected. 2018 Hendrickson USA, L.L.C. All Rights Reserved

Printed in United States of America