

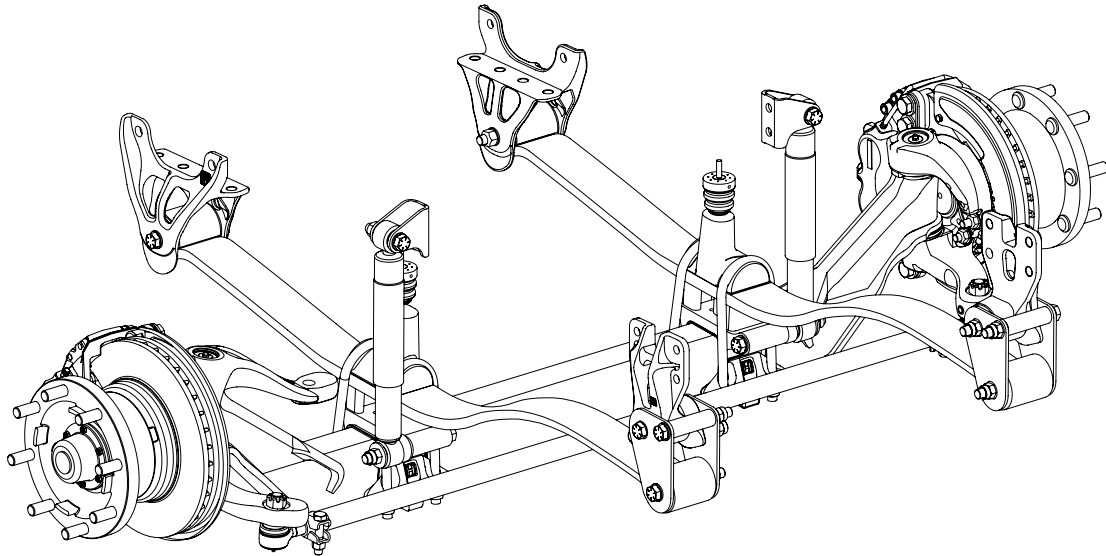
H PARTS LIST

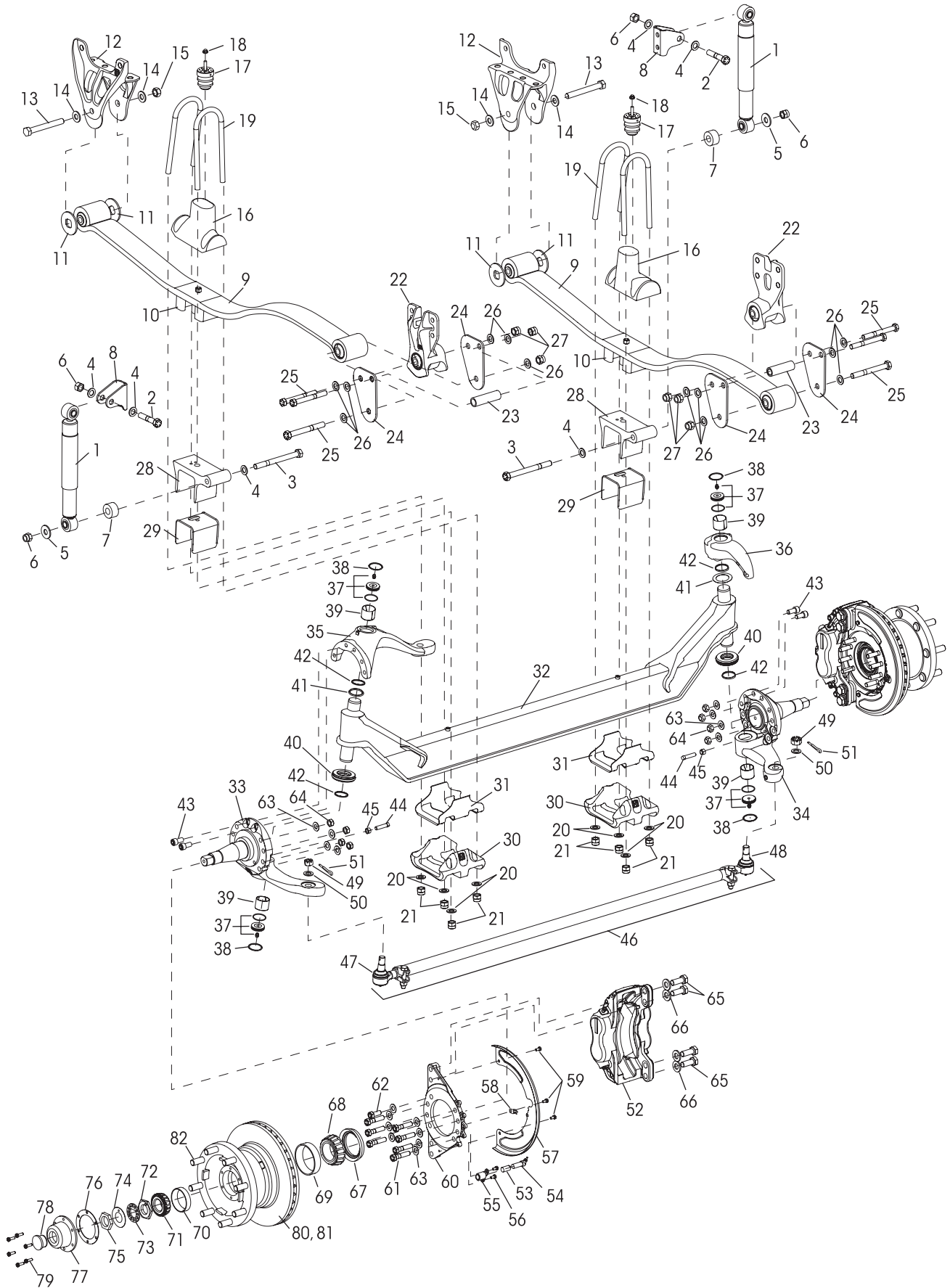
SOFTEK for Workhorse UFO Motorhome Chassis

LIT NO: SP-214

DATE: August 2007

REVISION: B







SOFTEK® for Workhorse UFO Motorhome Chassis

			VEHICLE				VEHICLE
KEY NO.	PART NO.	DESCRIPTION	QTY.	KEY NO.	PART NO.	DESCRIPTION	QTY.
	60961-148	Shock Absorber Service Kit, One Wheel End, Includes Key Nos. 1-7		Not Shown	60259-001	Kingpin Shim 0.005" (As Needed for Service)	
1	66153-002	Shock Absorber	2	42	58910-001	Kingpin Seal, <i>Replaces 58910-000</i>	4
2	21867-017	¾"-16 UNF x 4" Upper Shock Bolt	2	43	60236-001	⅝"-11 UNC Socket Head Cap Screw	4
3	21867-005	¾"-16 UNF x 8¼" Lower Shock Bolt	2	Not Shown	60937-000	Loctite® (Red) Compound Tube	1
4	22962-001	¾" Flat Washer	6		60961-069	Stop Bolt Service Kit, One Wheel End Includes Key Nos. 44-45	
5	59946-004	Shock Retaining Washer	2	44	60238-001	½"-13 UNC Square Head Bolt	2
6	17700-035	¾"-16 UNF Locknut	4	45	60240-000	½"-13 UNC Jam Nut	2
7	59946-003	Shock Spacer	2	46	60239-008	***Tie Rod Assembly Includes Key Nos. 47-51	1
8	66589-001	Shock Bracket	2		60961-010	*** Tie Rod End Service Kit, Axle Set Includes Key Nos. 60961-025 & -026	
9	66441-002	Leaf Spring Assembly, Includes Spring Eye Bushing and Z Spacer	2		60961-025	*** LH Tie Rod End Service Kit, Includes Key Nos. 47, 49-51	1
10		**Z Spacer, attached to leaf spring	2		60961-026	*** RH Tie Rod End Service Kit, Includes Key Nos. 48-51	1
11	67493-000	Thrust Washer - Front Hanger <i>Replaces 65869-000</i>	4	47	64000-001	***LH Tie Rod End	1
12	66297-000	Front Hanger	2	48	64000-002	***RH Tie Rod End	1
13	21867-006	¾"-16 UNF x 7" Bolt, <i>Replaces 58917-009</i>	2	49		**7/8" Castle Nut, Included in Tie Rod Assembly	2
14	22962-001	¾" Flat Washer	4	50	22962-007	7/8" Hardened Washer	2
15	17700-035	¾"-16 UNF Nylocknut, <i>Replaces 17700-033</i>	2	51	17800-004	Cotter Pin	2
16	65925-000	Top Pad / Axle Stop	2	52		*Caliper Assembly	2
17	66308-001	Auxiliary Bumper	2	53		*ABS Sensor Clip	2
18		*M10 x 1.5 Flanged Locknut	2	54		*ABS Sensor	2
	60961-151	U-bolt Axle Clamp Kit, One Side, Includes Key Nos. 19-21		55		*ABS Bracket	2
19	64804-115	¾"-16 UNF U-bolt	4	56	18160-012	⅝"-18 UNC x ½" Bolt (ABS Bracket)	4
20	22962-001	¾" Flat Washer	8	57		*Dust Shield	2
21	17700-035	¾"-16 UNF Nylocknut	8	58		*Dust Shield Clip	2
		Rear Shackle Bracket Assembly, Includes Key Nos. 22-27		59	64201-001	M8 x 1.25"-6G Cap Screw (Dust Shield)	6
	66511-001	LH	1	60		*Torque Plate	2
	66511-002	RH	1		64625-011	Brake Fastener Kit, One Wheel End, Includes Key Nos. 61-66	
22	66510-000	Rear Shackle Bracket/Bushing Assembly	2	61	32043-002	⅝"-11 UNC x 2¾" Hex Bolt (Torque Plate)	14
23	60631-002	Spacer Shackle Stop	2	62	32043-021	⅝"-11 UNC x 1½" Hex Bolt (Torque Plate)	2
24	66413-000	Rear Shackle Plate	2	63	22962-036	⅝" Hardened Washer (Torque Plate)	24
25	58917-021	¾"-10 UNC x 6½" Bolt	4	64	47764-000	⅝"-11 UNC Locknut (Torque Plate)	8
26	22962-001	¾" Flat Washer	12	65	58258-017	M20 x 2.5-6G Hex Bolt (Caliper)	8
27	17700-033	¾"-10 UNC Nylocknut	6	66	58246-009	M20 Hardened Washer (Caliper)	8
	64502-043	Axle Wheel End Brake Assembly, Includes Key Nos. 28-78	1		64626-008	Front Bearing Wheel End Service Kit, One Wheel End, Includes Key Nos. 67-76	
	63252-521	STEERTEK Axle Assembly, Includes Key Nos. 28-51	1	67	64531-000	Wheel Seal	2
	64628-003	Axle Wrap and Liner Service Kit, Axle Set, Includes Key Nos. 28-31		68	64529-000	Inner Bearing Cone	2
28	59952-018	Top Axle Wrap	2	69	66810-001	Inner Bearing Cup	2
29	60508-000	Top Axle Wrap Liner	2	70	66811-001	Outer Bearing Cup	2
30	64723-002	Bottom Axle Wrap	2	71	64530-000	Outer Bearing Cone	2
31	59845-000	Bottom Axle Wrap Liner	2	72	64671-000	1½"-12 UNF Adj. Inner Nut	2
32	64905-003	Axle & Kingpin Assembly	1	73	64672-000	1½"-12 UNF Pierced Lock Ring	2
33	58900-061	LH Lower Steering Knuckle Assembly	1	74	64673-000	1½" Lock Washer	2
34	58900-062	RH Lower Steering Knuckle Assembly	1	75	64674-000	1½"-12 UNF Outer Nut	2
35	60903-052	LH Upper Steering Knuckle Assembly	1	76	64546-000	Hubcap Gasket	2
36	60904-002	RH Upper Steering Knuckle Assembly	1	77	64532-000	Hubcap Assembly, Includes Key No. 78	2
	60961-039	Kingpin Bushing Service Kit, One Wheel End Includes Key Nos. 37-43 and Loctite		78		**Rubber Plug	
37	59156-000	Grease Cap Assembly	4	79	64545-002	⅝"-18 UNC x ¾" Bolt, for Hubcap <i>Replaces 64545-001</i>	12
38	58937-000	Retaining Ring	4	80	66352-001	Hub & Rotor Assembly Steel Hub 15.38 x 1.54 Rotor	2
39	58909-000	Kingpin Bushing	4		60961-152	Hub Service Kit, One Wheel End, Includes Key Nos. 69-70, 81-82	
	60961-042	Roller Thrust Bearing Service Kit, One Wheel End, Includes Key Nos. 40-43 and Loctite		81	67086-000	Hub	2
40	64256-000	Thrust Bearing - Roller	2	82	66812-000	Wheel Stud M22 x 1¼"	16
41	60259-002	Kingpin Shim 0.047"	2				

NOTES: * Not supplied by Hendrickson, used for reference only. Hendrickson is not responsible for components supplied by the vehicle manufacturer. For assistance with maintenance and rebuild instructions on these components see vehicle manufacturer.

** Item included in kit/assembly only, part not sold separately.

*** The tie rod assembly is designed for use on a mechanical suspension with hydraulic brakes, it is not designed for vehicles with air brakes.

This is a general parts list to provide directional information. Components may vary by model. Questions in regards to parts, contact Hendrickson Truck Parts at 1.866.755.5968 (Toll-free U.S. and Canada), 630.910.2800 (Outside U.S. and Canada) or e-mail: truckparts@hendrickson-intl.com.

www.hendrickson-intl.com



Truck Commercial Vehicle Systems
800 South Frontage Road
Woodridge, IL 60517-4904 USA

1.866.755.5968 (Toll-free U.S. and Canada)
630.910.2800 (Outside U.S. and Canada)
Fax 630.910.2899