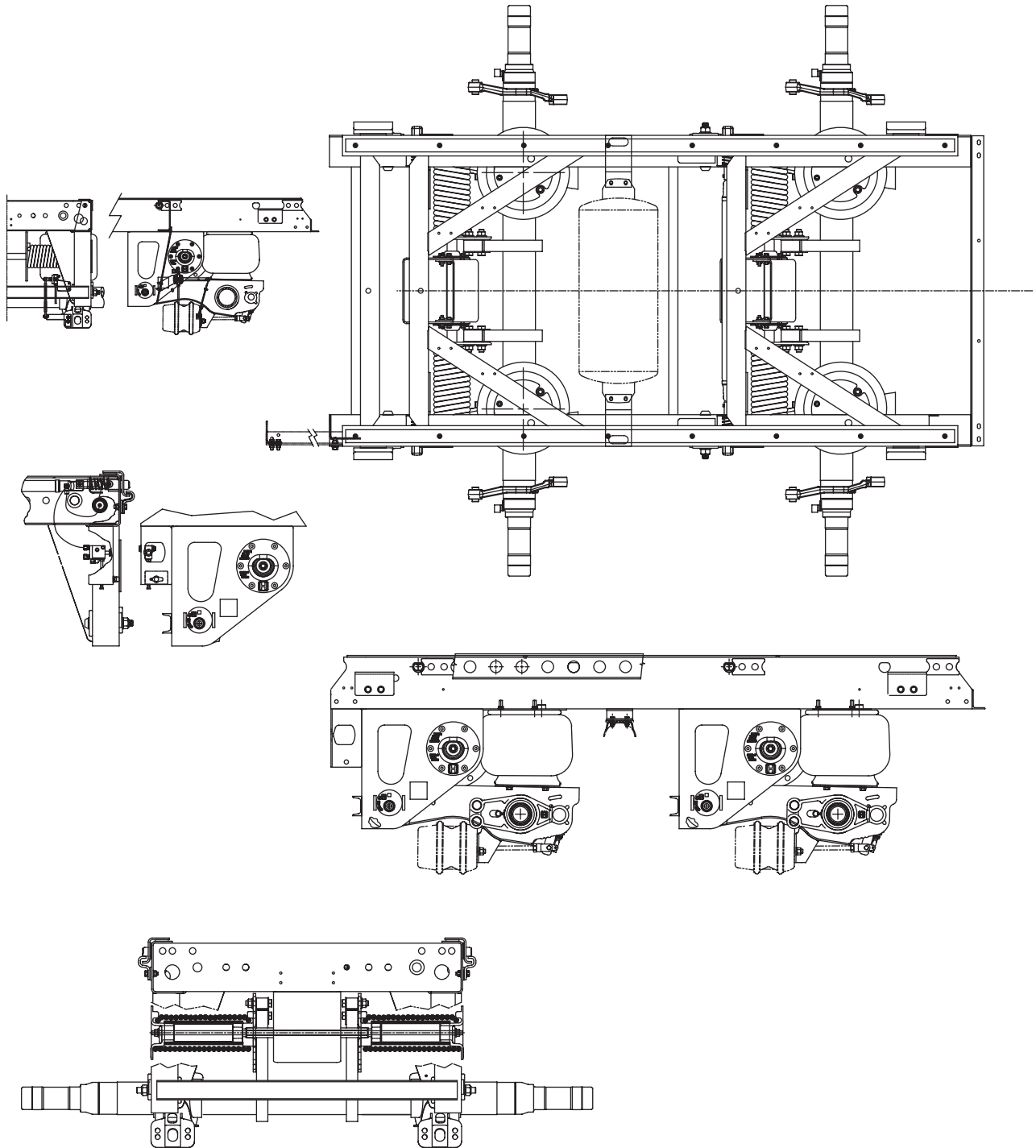


# **H** PARTS LIST

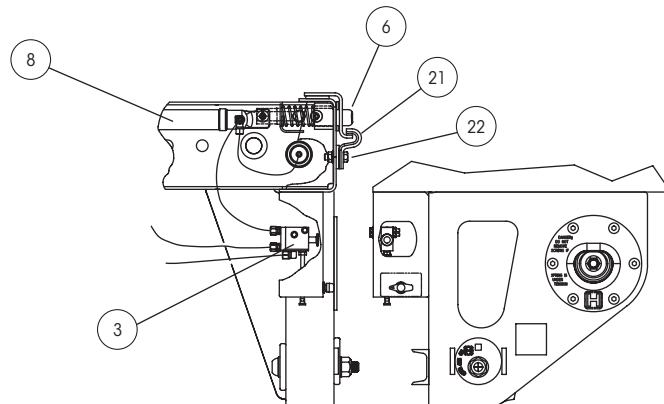
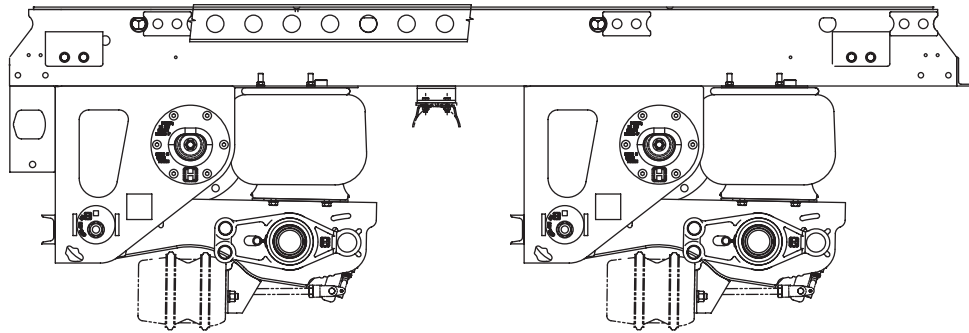
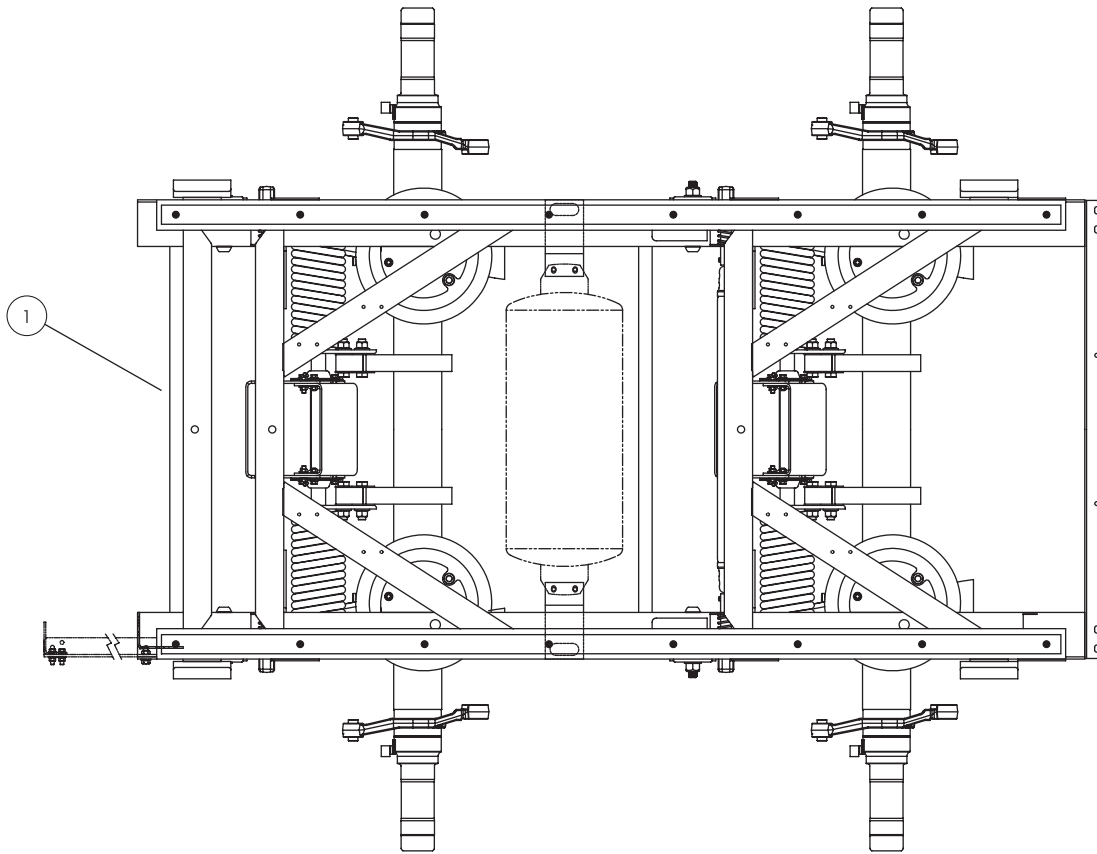
## VANTRAX® HRRNT 40K

LIT NO: L1083

DATE: January 2012



SLIDER BOX ASSEMBLY



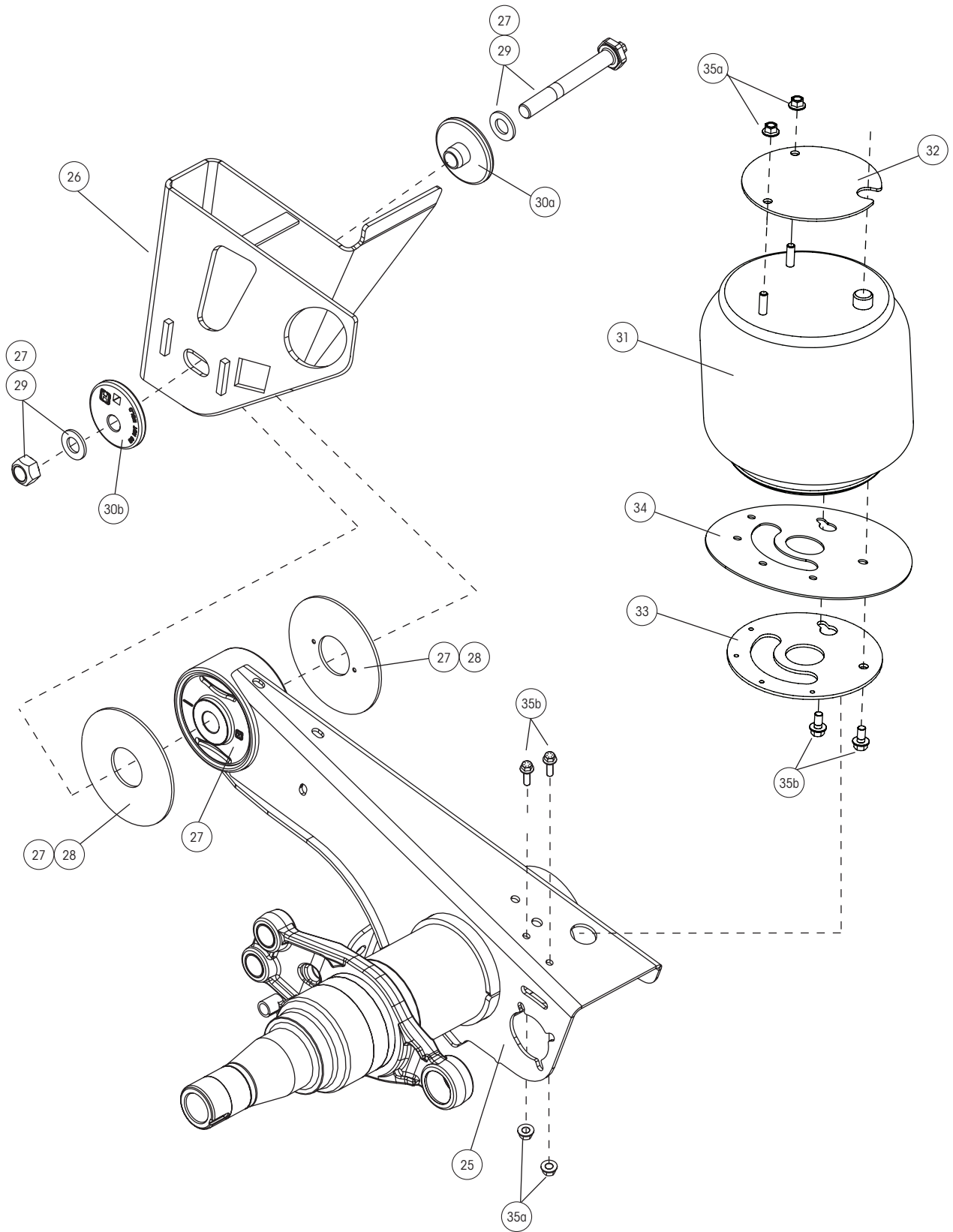
**SLIDER BOX ASSEMBLY**

ITEM	DESCRIPTION	PART NO.	QTY. PER SUSP.	NOTE
1	REPLACEMENT SLIDER BOX WITH HANGERS	AMBOX.###	1	Please contact Hendrickson for assistance
2	SLIDER BRACKET SUPPORT WELDMENT			Includes (2) support weldments, (4) flanged screws and nuts
	2a 42" box	S-28101-2	2	
	2b 48" box	S-28101-1	2	
3	QUIK-DRAW® VALVES			
	3a Three-way auto reset valve assembly	VS-25224	1	Includes valve and fittings
	3b Three-way auto reset valve	VS-25223	1	Includes valve only
4	AUTO RESET VALVE WITH 3/8" TEE (Not shown)	VS-29866	1	
5	QUIK-DRAW VALVE SPACER (Not shown)	B-25284	1	
6	SLIDER LOCKING PIN	S-28289	4	
7	CROSSMEMBER SNAP BUSHING	A-27057-1	2	
8	LINEAR ACTUATOR			
	8a Front 42" Box	S-28061-1	1	
	8b Rear 42" Box	S-28062-1	1	
	8c Front 48" Box	S-28061-2	1	
	8d Rear 48" Box	S-28062-2	1	
9	TORSION SPRING			
	9a Roadside	S-26569-1	2	
	9b Curbside	S-26569-2	2	
10	FLANGE PLATE RETAINER KIT			Includes (1) flange plate assembly with bearings, (1) retainer shaft, (2) D-plates, screws, hex nuts, and prevailing torque nut
	10a 42" Box	S-28320-2	2	
	10b 48"Box	S-28320-8	2	
11	RETAINER SHAFT KIT			Includes (1) retainer shaft, (2) D-plates, (2) hex nuts, (2) prevailing torque hex nuts
	11a 42" Box	S-28317-2	2	
	11b 48"Box	S-28317-8	2	
12	RETAINER SHAFT NUT	SA-7000-8	4	
13	FLANGE PLATE ASSEMBLY			
	13a 42" Box	S-26676-2	2	
	13b 48"Box	S-26676-8	2	
14	LIFTING STRAP KIT			
	14a Tandem	S-27337	1	Includes (4) lifting straps, (8) clevis plates, (8) steel sleeves and hardware
	14b Single Axle	S-27337/2	2	Includes (2) lifting straps, (4) clevis plates, (4) steel sleeves and hardware
15	STEEL TUBE (Not shown)	S-26575	4	9.25", 14 gauge
16	BEARING SUPPORT BRACKET (Not shown)			
	16a 42" Box	S-30588-2	2	
	16b 48"Box	S-30588-8	2	

Note: Identification can be found on the roadside slider box rail above the front frame bracket. There is also a blank INTRAAX® tag on the inside of the curbside beam.

## SUSPENSION ASSEMBLIES

### Frame Bracket Assembly



**SLIDER BOX ASSEMBLY**

ITEM	DESCRIPTION	PART NO.	QTY. PER SUSP.	NOTE
17	PCV PIPE (Not shown)	S-26573	4	12.25" 3.0 NOM
18	CLEVIS PIN (Not shown)	SA-5200-6	4	
19	END CAP CASTING (Not shown)	S-26640	4	
20	BODY RAIL CLIP (Not shown)	S-27033	4	
21	BODY RAIL CLIP BOLT (Not shown)	SA-6900-2	8	1/2"-13" x 1-1/2" flanged bolt
22	BODY RAIL CLIP SPACER (Not shown)	A-22367	4	
23	FLAT WASHER (Not shown)	SA-1500-2	4	
24	LOCKING COTTER PIN (Not shown)	A-29557	4	

**SUSPENSION ASSEMBLIES**

ITEM	DESCRIPTION	PART NO.	QTY. PER SUSP.	NOTE
25	REPLACEMENT AXLE / BEAM WELDMENT	HTRAAX.###	1	Please contact Hendrickson for assistance
26	FRAME BRACKET ASSEMBLIES			
	26a Roadside	D-26599-2		
	26b Roadside	D-26599-1		
27	TRI-FUNCTIONAL® PIVOT BUSHING KIT (Narrow pivot connection)	S-26321	2	Includes (2) bushings, pivot bolts, hardened washers and torque prevailing nuts
28	BUSHING TUBE SPACER	S-26807	8	
29	PIVOT BOLT KIT (Narrow pivot connection)	S-24705	4	Includes (1) pivot bolt, hardened washers and torque prevailing nut
30	ALIGNMENT COLLARS			
	30a Eccentric (Inner)	S-20925	4	Pivot bolt hole is offset from center
	30b Concentric (Outer)	S-20924	4	Pivot bolt hole is centered
31	AIR SPRING	S-25988	4	
32	AIR SPRING TOP PLATE	B-26617	2	Used on rear axle only
33	AIR SPRING MOUNTING PLATE	C-26571	4	
34	AIR SPRING PLATE	B-30213	4	
35	AIR SPRING MOUNTING HARDWARE			
	35a Air spring mounting nut	A-30713-1	8	
	35b Air spring mounting bolt	SA-6900-7	8	
36	BEARING SUPPORT NUT (Not shown)	SA-7000-3	24	3/8" - 16 Nut for use with the bearing support bracket
37	END CAP NUT (Not shown)	SA-7000-1	24	1/2" - 13 nut for use with the end cap casting. Order (8) per casting or (24) per system
38	FLANGED SCREW (Not shown)	SA-6900-17	2	
39	BEARING SUPPORT BOLT (Not shown)	SA-6900-5	24	3/8" Screw for use with the bearing support bracket
40	BEARING KIT (Not shown)			Includes (8) bearing assemblies, (2) bearing support assemblies and hardware
	40a 42" Box	S-29812-2	1	
	40b 48" Box	S-29812-8	1	
41	CLEVIS PLATE (Not shown)	A-27250	8	
42	END CAP SCREW (Not shown)	SA-5100-1	24	

Note: Identification can be found on the roadside slider box rail above the front frame bracket. There is also a blank VANTRAAX tag on the inside of the curbside beam.





This Page  
Intentionally  
Left Blank

Call your trailer dealer or Hendrickson at **330.489.0045** or **866.RIDEAIR (743.3247)** for additional information.



[www.hendrickson-intl.com](http://www.hendrickson-intl.com)

**TRAILER COMMERCIAL VEHICLE SYSTEMS**

2070 Industrial Place SE  
Canton, OH 44707-2641 USA  
866.RIDEAIR (743.3247)  
330.489.0045 • Fax 800.696.4416

**Hendrickson Canada**

250 Chrysler Drive, Unit #3  
Brampton, ON Canada L6S 6B6  
800.668.5360  
905.789.1030 • Fax 905.789.1033

**Hendrickson Mexicana**

Circuito El Marqués Sur #29  
Parque Industrial El Marqués  
Pob. El Colorado, Municipio El Marqués,  
Querétaro, México C.P. 76246  
+52 (442) 296.3600 • Fax +52 (442) 296.3601