

H PARTS LIST

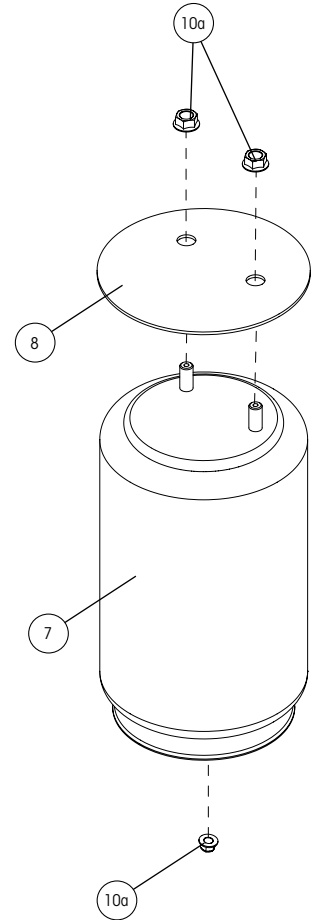
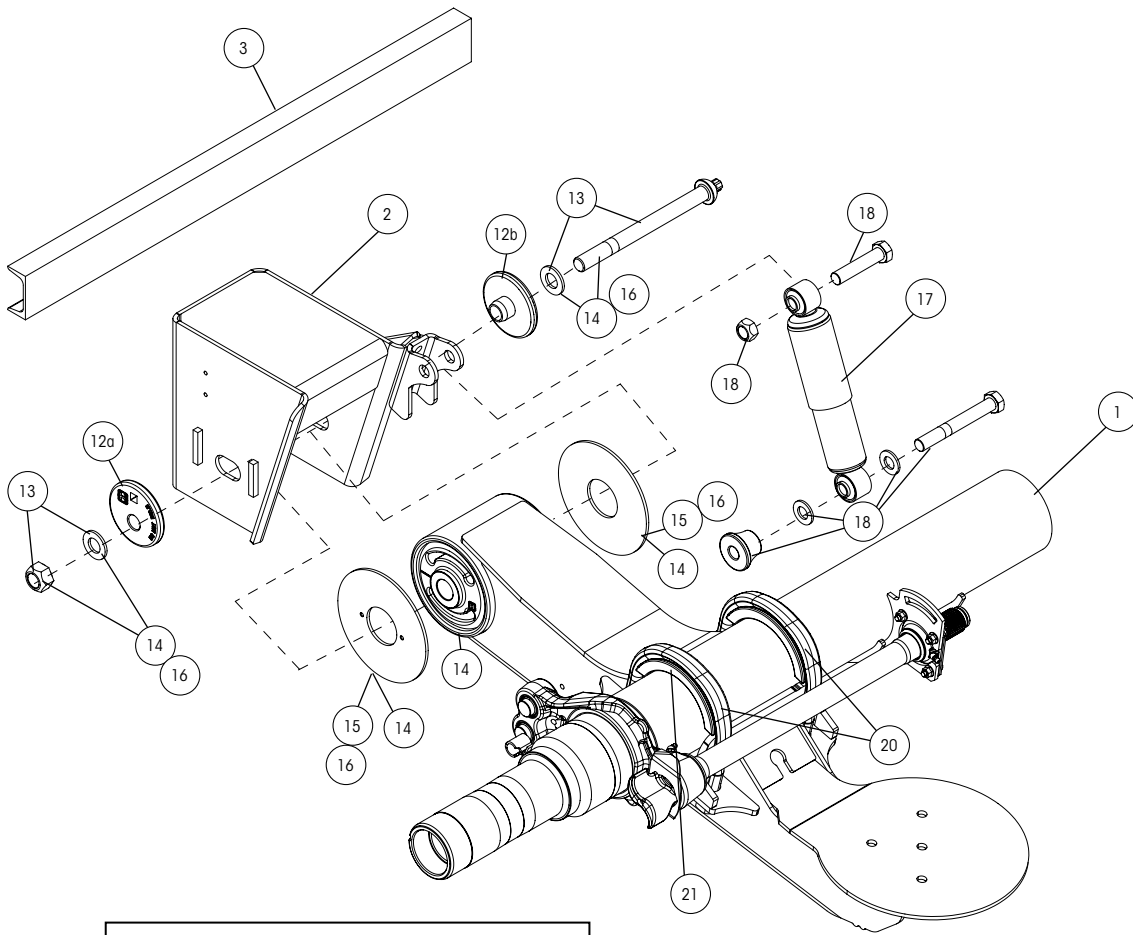
CONNEX™ CXU 23K / 25K

LIT NO: L1280

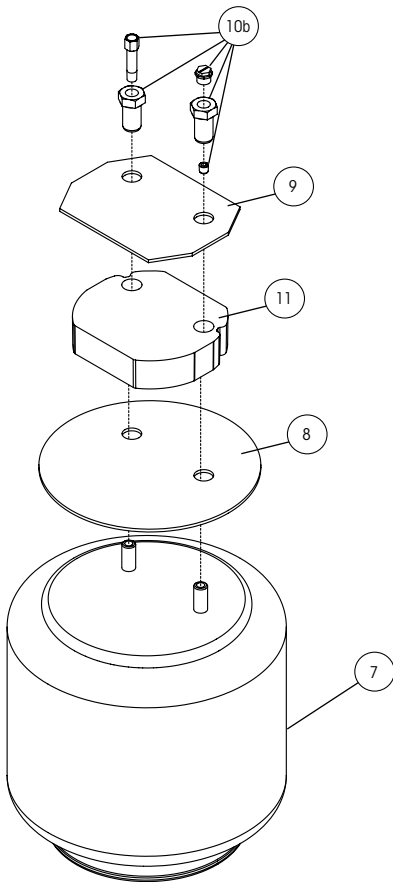
DATE: January 2018

REVISION: -





**Air Spring Mounting for 6.5" - 7.5"
Ride Heights; Limited Jounce**





ITEM	DESCRIPTION	PART NO.	QTY.	NOTE
1	AXLE / BEAM WELDMENT		1	Contact Hendrickson for assistance
2	FRAME BRACKET ¹		2	See L1266 Frame Bracket Parts List
3	WELD-ON C-CHANNEL	A-1631-19	1	
4	BOLT-ON C-CHANNEL (not shown)			Bolt-on frame brackets only
	41" beam center	B-30021-1	1	
	35" beam center	B-30021-3	1	
5	BOLT-ON STRUTS ² (not shown)	B-30591	2	Bolt-on frame brackets only
6	STRUT BOLT KIT ² (not shown)	S-30720	1	Bolt-on frame brackets only
7	AIR SPRING			
	CXU 23K	S-23720	2	5.5" & 6.5" ride heights
		S-23613	2	7.5" ride height
	CXU 25K	S-23721	2	5.5" & 6.5" ride heights
		S-23611	2	7.5" ride height
8	AIR SPRING FLEX PLATE			
	Weld-on			
	Standard travel	S-23294	2	5.5" & 6.5" ride heights
	Limited Jounce	S-23294	2	6.5" - 7.5" ride heights; Use with S-22510-2 air spring spacer only
	Bolt-on			
	Standard Pattern	B-24813	2	5.5" & 6.5" ride heights; standard travel
	Pattern #2	B-24812	2	5.5" & 6.5" ride heights; standard travel
9	AIR SPRING MOUNTING PLATE	S-20905	2	Use with S-22510-2 air spring spacer only
10	AIR SPRING MOUNTING KIT			
	10a Standard Travel	S-22619/2	2	
	10b Limited Jounce	S-22631/2	2	Use with S-22510-2 air spring spacer only
11	AIR SPRING SPACER	S-22510-2	2	6.5" - 7.5" ride heights; limited jounce
12	ALIGNMENT COLLARS			
	12a Eccentric	S-20925	2	Alignment hole is off center
	12b Concentric	S-20924	2	Alignment hole is centered
13	QUIK-ALIGN® PIVOT BOLT KIT	S-24679	2	Includes: round head bolt, hardened washers & prevailing torque hex nut
14	TRI-FUNCTIONAL® II BUSHING KIT ³	S-24691	2	Includes: bushing, bushing tube spacers, round head bolt, prevailing torque hex nut, hardened washers and lube
15	BUSHING TUBE SPACER	S-21099	4	
16	BUSHING TUBE SPACER KIT	S-26369	2	Includes: round head bolt, hardened washers, prevailing torque hex nut and bushing tube spacers
17	SHOCK ABSORBER			
	Standard Duty			
	5.5" - 6.5" ride heights	S-23650	2	Standard Travel
	6.5" ride height	S-23650	2	Limited Jounce
	7.5" ride height	S-23649	2	Limited Jounce
	Extended Service			
	5.5" - 6.5" ride heights	S-23744	2	Standard Travel
	6.5" ride height	S-23744	2	Limited Jounce
	7.5" ride height	S-23743	2	Limited Jounce

1. Options exist based on frame attachment, frame bracket style, bolt hole pattern and connection. Contact Hendrickson for assistance or refer to L1266 Frame Bracket Parts List.

2. Struts are only optional for bolt-on frame brackets. Other options exist for galvanized or different track widths.

3. Bushing tool S-21307 is required to correctly rebush the suspension.

NOTE: Identification tag can be found on the inside of the curbside beam.



ITEM	DESCRIPTION	PART NO.	QTY.	NOTE
18	SHOCK BOLT KIT	S-24185/2	2	One (1) shock bolt kit is required per shock
19	LOWER SHOCK BOLT KIT (not shown)	S-23642	2	One (1) shock bolt kit is required per shock
20	U-BOLT KIT	S-22894/4	4	Includes: (1) flattened U-bolt and hardware; axle spacer is needed with flattened U-bolt; For 12.25" brakes only
21	AXLE SPACER	S-20701	4	Must order with U-Bolt Kit (item #19)

Call Hendrickson at **330.489.0045** or **866.RIDEAIR (743.3247)** for additional information.



www.hendrickson-intl.com

TRAILER COMMERCIAL VEHICLE SYSTEMS

2070 Industrial Place SE
Canton, OH 44707-2641 USA
866.RIDEAIR (743.3247)
330.489.0045 • Fax 800.696.4416

Hendrickson Canada

250 Chrysler Drive, Unit #3
Brampton, ON Canada L6S 6B6
800.668.5360
905.789.1030 • Fax 905.789.1033

Hendrickson Mexicana

Circuito El Marqués Sur #29
Parque Industrial El Marqués
Pob. El Colorado, Municipio El Marqués,
Querétaro, México C.P. 76246
+52 (442) 296.3600 • Fax +52 (442) 296.3601