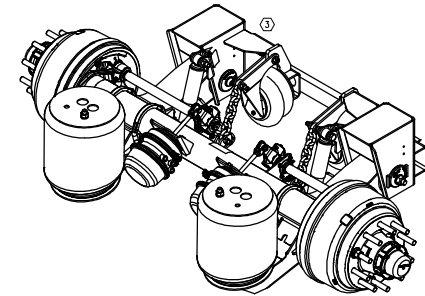
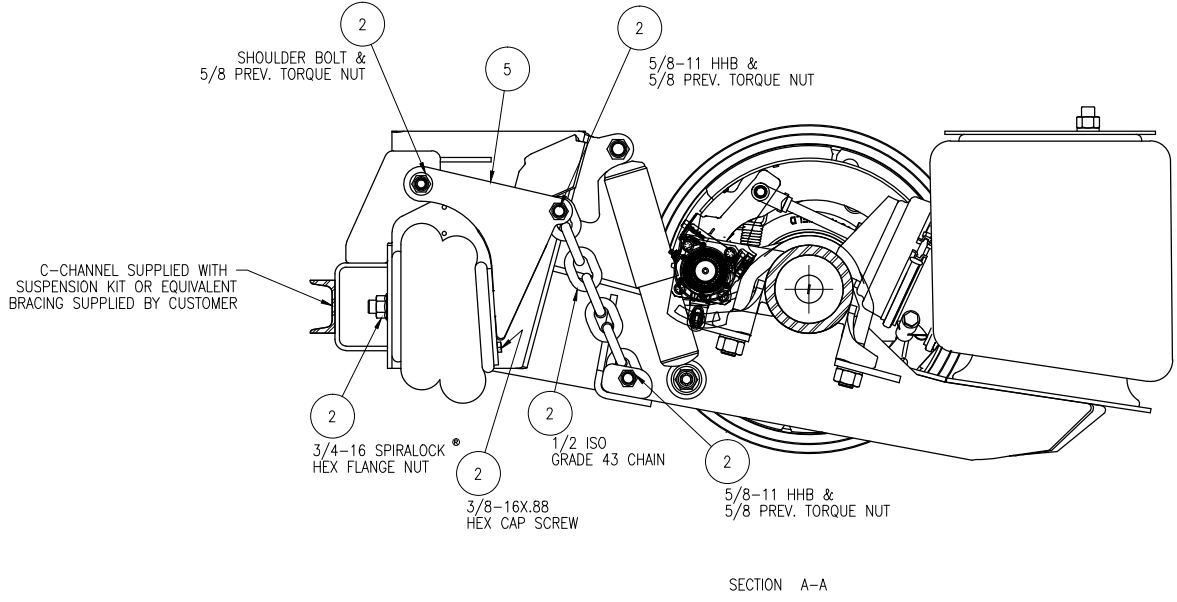


SBL-250US			
ITEM	PART NUMBER	DESCRIPTION	QTY.
1	C-23114	AIR SPRING	2
2	A-31934-1	SBL BOLT & CHAIN KIT	1
3	B-31918-1	SBL BEAM BRACKET WELDMENT	1
4	B-31918-2	SBL BEAM BRACKET WELDMENT	1
5	C-31399	SBL ARM WELDMENT	2
6	C-31915-1	SBL FRONT WELDMENT	1
7	C-31915-2	SBL FRONT WELDMENT	1
**8	DWG D-31935	SBL-250US DRAWING	1
9	A-31927	SBL IDENTIFICATION TAG	1
**10	A-21066	RIVET, DRIVE	1

** NOT SHOWN

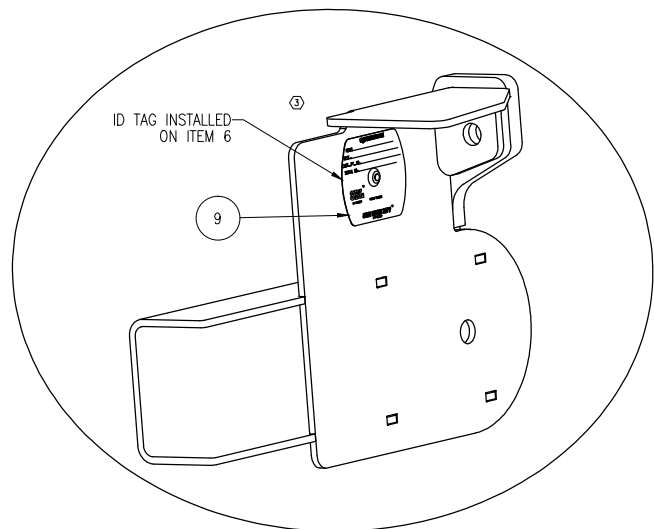


SCALE 1:15



SECTION A-A

SBL ID TAG LOCATION

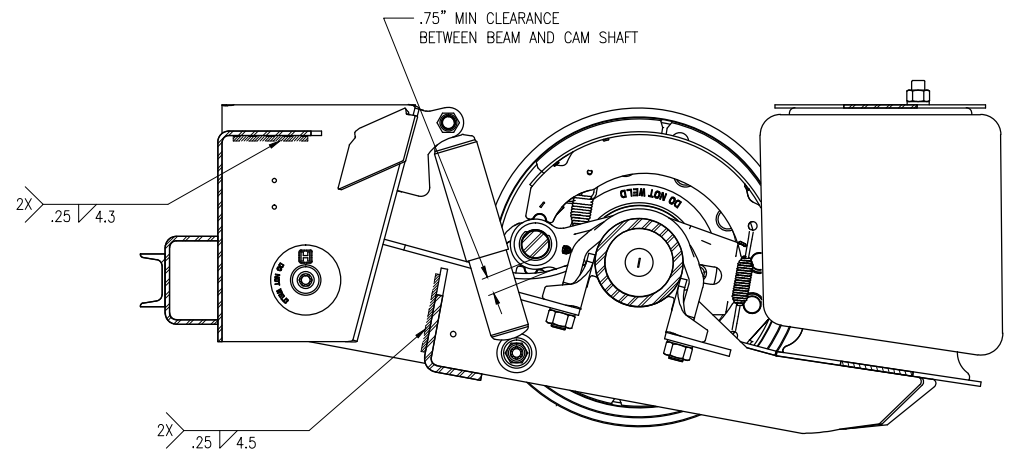


TORQUE SPECIFICATION		
DESCRIPTION	SIZE	TORQUE (FT-LB)
SBL AIR SPRING NUTS	3/4-16	45-55
SBL AIR SPRING BOLTS	3/8-16	25-35
SBL PIVOT BOLTS	5/8-11	140-160
SBL CHAIN MOUNT BOLTS	5/8-11	55-75

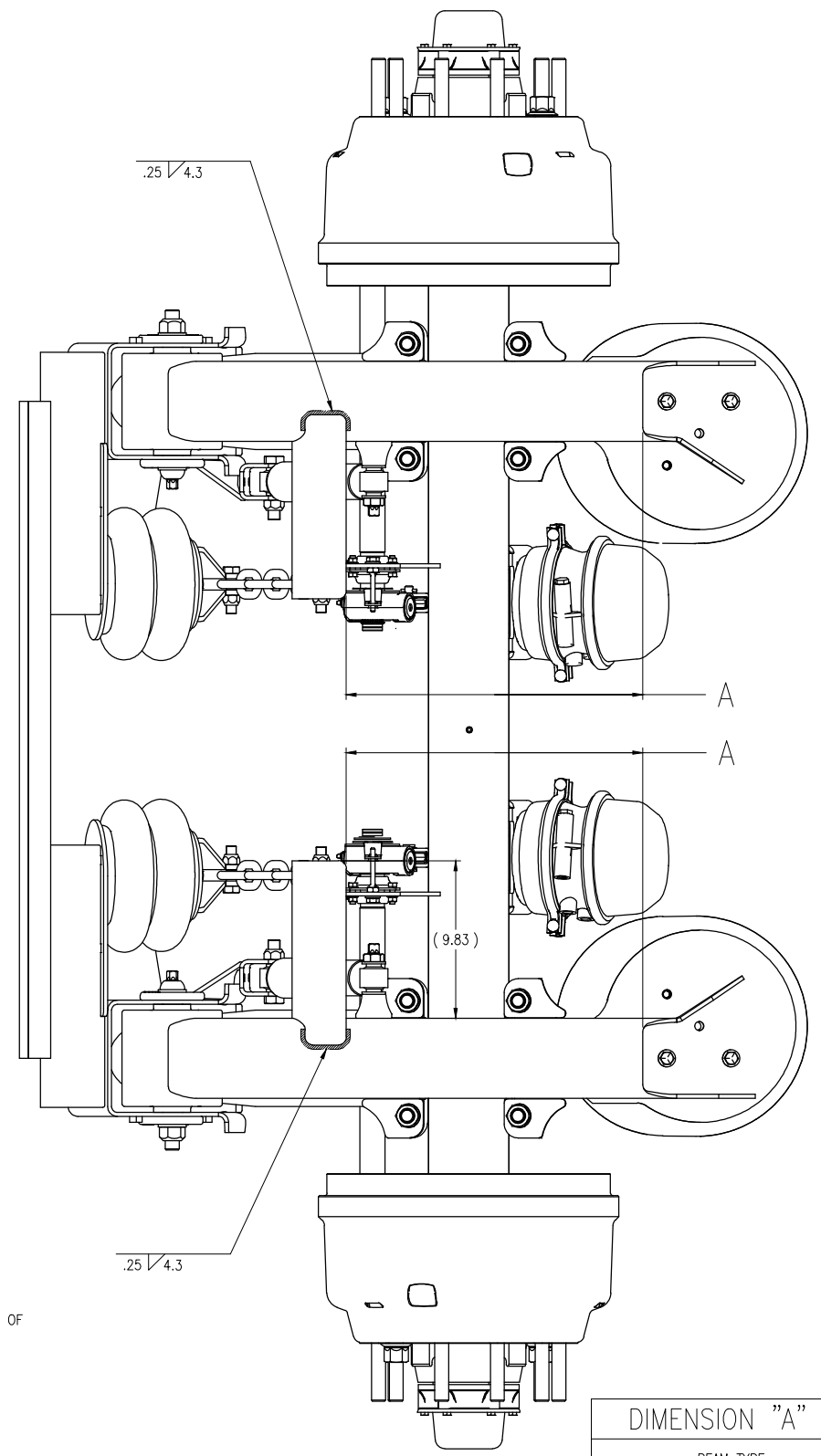
- NOTES:
- THIS LIFT KIT IS AVAILABLE FOR USE ON A STANDARD TRAVEL HT250US SUSPENSIONS WITH A RIDE HEIGHT OF 9.0, 12.0, AND 14.0 INCHES.
 - WEIGHT: 110.40 LB. WEIGHT DOES NOT INCLUDE WELD REQUIRED TO ASSEMBLE SBL KIT TO SUSPENSION
 - /// INDICATES FILLET WELD PLACEMENT
 - DIMENSION WITH "*" MAY VARY BASED ON TRAILER DESIGN
 - STANDARD TRAVEL, STANDARD BEAM HT250US WITH 9.0 INCH RIDE HEIGHT SHOWN.
 - AXLE BRAKE CHAMBER/CAM SHAFT MUST BE LOCATED AS SHOWN IN ORDER FOR PROPER CLEARANCE AROUND THE LIFT KIT. SEE SECTION VIEW B-B ON PG. 2
 - PACKAGE THE KIT IN A B-22859 - RSC 22.5 X 11.25 X 23 A/S BOX OR EQUIVALENT SIZED BOX

This print remains the property of Hendrickson. All information contained therein is confidential. It is loaned, subject to return on demand, and on the express condition that it is not to be copied or used directly or indirectly for any purpose other than the purpose for which it has been loaned to you.

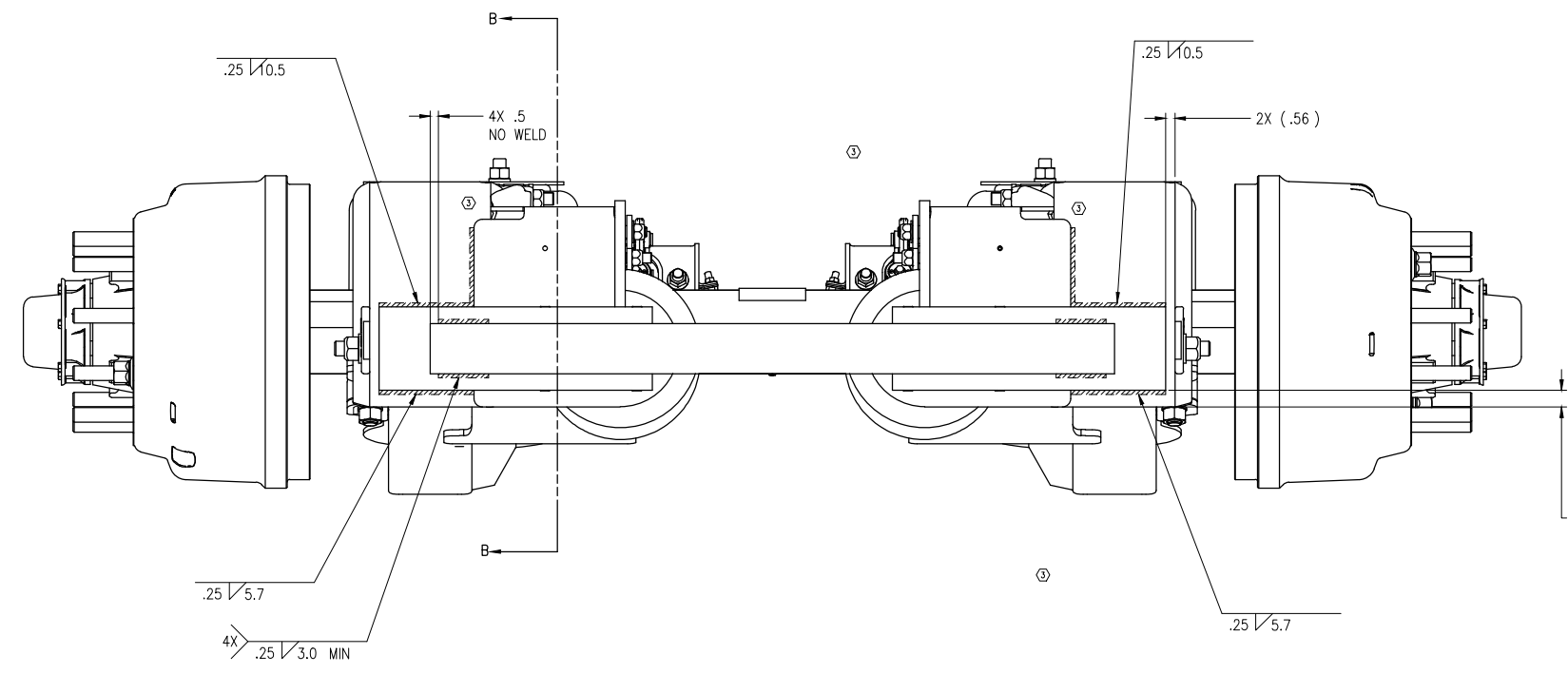
<p>HENDRICKSON TRAILER COMMERCIAL VEHICLE SYSTEMS 2010 INDUSTRIAL PLACE S.E. CANTON, OH 44705-2000 U.S.A.</p>	<p>UNLESS OTHERWISE NOTED:</p> <p>TOLERANCES ARE: .XX ± .1 .XXX ± .06 .XXXX ± .030 ANGULAR: ± 0.5°</p>	<p>DIMENSIONS ARE: INCHES/MILLIMETERS</p>	<p>3 21049 KJE 12-04-12 2 19734 CRD 5-13-11 1 19329 KJE 12-09-10 0 19226 KJE 10-11-10</p>	<p>DATE: 07-21-10 DRAWN BY: K. Erdmann CHECKED BY: C. RADCLIFF APPROVED BY: S. BATES</p>	<p>DATE: 07-21-10 THIS DRAWING IS THE CONFIDENTIAL PROPERTY OF HENDRICKSON</p>	<p>SCALE: 1:5 SIZE: D</p>	<p>PAGE: 1 OF 2 DRAWING NUMBER: D-31935</p>
	<p>SBL-250US</p>		<p>REV. ECH. NO. BY DATE</p>		<p>DATE: 07-21-10</p>		<p>SCALE: 1:5</p>



SECTION B-B
SBL AIR SPRING NOT
SHOWN FOR CLARITY



DIMENSION "A" CHART	
BEAM TYPE	DIM "A"
HT250US STANDARD BEAM	18.5
HT250US SELF-STEER BEAM	21.0



2X 1.00
BOTTOM OF FRAME
BRACKET TO BOTTOM OF
SBL CHANNEL

NOTES:
1. INDICATES FILLET WELD PLACEMENT

This print remains the property of Hendrickson. All information contained herein is confidential. It is loaned, subject to return on demand, and on the express condition that it is not to be copied or used directly or indirectly for any purpose other than the purpose for which it has been loaned to you.

<p>HENDRICKSON TRAILER COMMERCIAL VEHICLE SYSTEMS 2010 INDUSTRIAL PLACE S.E. CANTON, OH 44705-2000 U.S.A.</p>	<p>UNLESS OTHERWISE NOTED: TOLERANCES ARE: X.X ± .1 X.XX ± .06 X.XXX ± .030 ANGULAR: ± 0.5°</p>	<p>NOTED: DIMENSIONS ARE: INCHES/MILLI MILLI/MILLI</p>	<p>3 21049 KJE 12-04-12 2 19734 CRD 5-13-11 1 19329 KJE 12-09-10 0 19226 KJE 10-11-10</p>	<p>DATE: 07-21-10 DRAWN BY: K. Erdmann CHECKED BY: G. RADCLIFF APPROVED BY: S. BATES</p>	<p>DATE: 07-21-10 THIS DRAWING IS THE CONFIDENTIAL PROPERTY OF HENDRICKSON</p>	<p>SCALE: 1:5 PAGE: 2 OF 2</p>
	<p>SBL-250US</p>			<p>SIZE: D DRAWING NUMBER: D-31935</p>		