

# **H** PARTS LIST

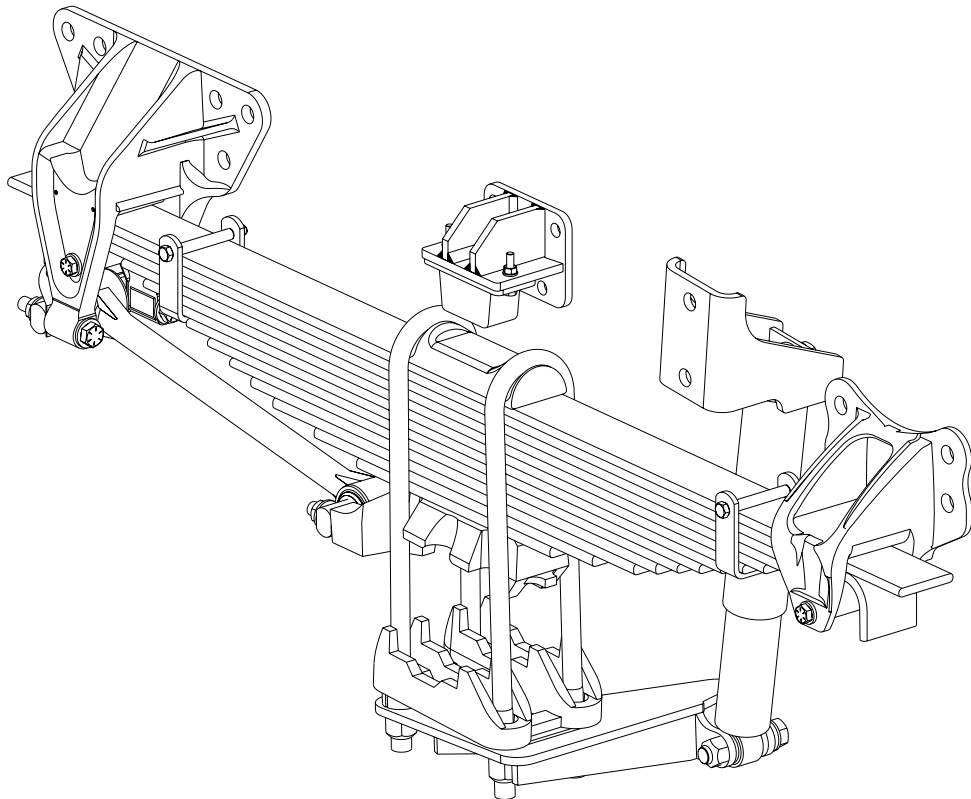
## HTS™ 21K Rear Suspension for Lion Type C School Bus

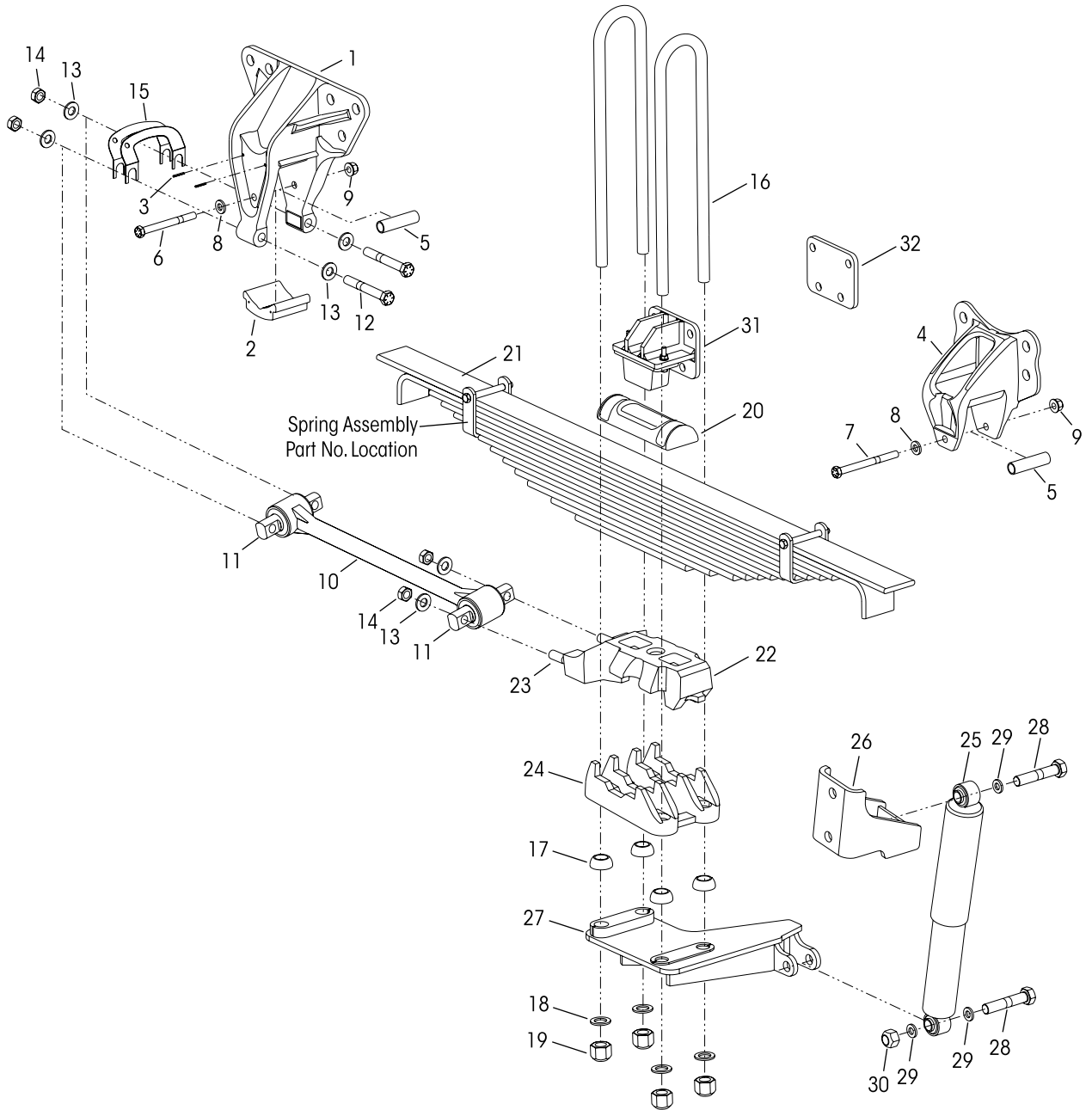
LIT NO: SP-229

DATE: February 2017

REVISION: C

---







KEY NO.	PART NO.	DESCRIPTION	VEHICLE QTY.	KEY NO.	PART NO.	DESCRIPTION	VEHICLE QTY.
1	58425-001	Front Spring Hanger Assembly, Includes Key Nos. 2-3	2	18	22962-002	7/8" Flat Washer	8
2	56929-000	Slipper Pad	2	19	50765-000	7/8"-14 UNF-2B Nut	8
3	58287-001	Retainer Lock Pin	4	20	48797-000	Top Pad	2
4	50028-001	Rear Spring Hanger	2	21	53192-000	Spring Assembly	2
5	58631-000	Rebound Roller	4	22		Spring Seat Assembly, Includes Key Nos. 13-14, 23	2
6	24531-015	1/2"-13 UNC-2B x 5 1/2" Hex Bolt	2		50970-031	2.5° for Diesel	
7	24531-014	1/2"-13 UNC-2B x 5" Hex Bolt	2		50970-031	5.5° for Electric	
8	22962-014	1/2" Flat Washer	4	23	50918-000	5/8"-11 UNC Stud	4
9	60819-000	1/2"-13 UNC-2B Flange Nut	4	24	50216-000	Axle Bottom Cap	2
10	62001-495	Longitudinal Torque Rod Assembly, Includes Key No. 11	2	25	60665-025L	Shock Absorber	2
11	47691-000L	Torque Rod Bushing	4	26	67530-000	Upper Shock Bracket	2
12	32043-005	5/8"-11 UNC x 4 1/2" Hex Bolt	4	27		Lower Shock Bracket	
13	22962-004	5/8" Flat Washer	12		67556-003	Left Hand	1
14	47764-000	5/8"-11 UNC Locknut	8		67556-004	Right Hand	1
15	49689-000L	Torque Rod Shim	As Req.	28	50764-004	3/4"-10 UNC x 3 3/4" Hex Bolt	4
	48718-149	<b>U-bolt Fastener Service Kit, Axle Set,</b> Includes Key Nos. 16-19		29	22962-001	3/4" Washer	6
16	47417-010	7/8"-14 UNF- 2A x 19" U-bolt	4	30	49842-000	3/4"-10 UNC Nut	2
17	48574-000	7/8" Spherical Washer	8	31	69883-000	Bump Stop Assembly	2
				32	69877-001	Backing Plate	2

■ Special Tools

ULTRA ROD TORQUE ROD BUSHING FUNNEL TOOL



Hendrickson Part No. 66086-001L

This is a general parts list to provide directional information. Components may vary by model. Questions in regards to parts, contact Hendrickson Truck Parts at 1.866.755.5968 (Toll-free U.S. and Canada), 630.910.2800 (Outside U.S. and Canada) or e-mail: [truckparts@hendrickson-intl.com](mailto:truckparts@hendrickson-intl.com).

---

[www.hendrickson-intl.com](http://www.hendrickson-intl.com)



Truck Commercial Vehicle Systems  
800 South Frontage Road  
Woodridge, IL 60517-4904 USA

1.866.755.5968 (Toll-free U.S. and Canada)  
630.910.2800 (Outside U.S. and Canada)  
Fax 630.910.2899