

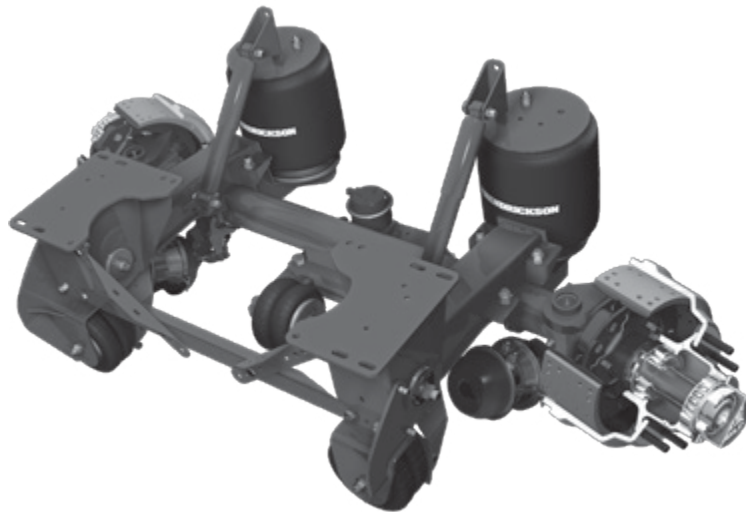
TECHNICAL PROCEDURE

TRAILER SUSPENSION SYSTEMS CONNEX™-ST

SUBJECT: Suspension System Installation
Information and Requirements

LIT NO: T61001
DATE: April 2017

REVISION: A



To assist with installation, welding, warranty matters, maintenance and other facets of your fixed suspension, the following Hendrickson literature and installation drawings are available on our website at:

www.hendrickson-intl.com/TrailerLit

APPLICABLE LITERATURE

<u>D-36237</u>	CONNEX™-ST Installation Drawing	<u>L1072</u>	QUIK-ALIGN® Pivot Connection Fastener Information
<u>L459</u>	Checking Trailer Ride Height	<u>L1250</u>	CONNEX-ST Application Guide
<u>L578</u>	Preventive Maintenance Guide	<u>T19002</u>	Patent List (available online at www.hendrickson-intl.com/patent)
<u>L579</u>	Alignment Procedures	<u>T91001</u>	UBL™ Information and Requirements
<u>L583</u>	Comprehensive Warranty Statement		
<u>L974</u>	Drum Brake Maintenance Procedures		

IMPORTANT: To ensure proper suspension safety, operation and performance, as well as warranty coverage; the above applicable installation and maintenance requirements must be followed.

For any questions, contact **Hendrickson Trailer Technical Services**, in the United States and Canada at 866-RIDEAIR (743-3247) or email HTTS@Hendrickson-intl.com; in Mexico at +52 (442) 296-3600.

Call Hendrickson at **866.RIDEAIR (743.3247)** for additional information.



www.hendrickson-intl.com

TRAILER COMMERCIAL VEHICLE SYSTEMS

2070 Industrial Place SE
Canton, OH 44707-2641 USA
866.RIDEAIR (743.3247)
330.489.0045 • Fax 800.696.4416

Hendrickson Canada

250 Chrysler Drive, Unit #3
Brampton, ON Canada L6S 6B6
800.668.5360
905.789.1030 • Fax 905.789.1033

Hendrickson Mexicana

Circuito El Marqués Sur #29
Parque Industrial El Marqués
Pob. El Colorado, Municipio El Marqués,
Querétaro, México C.P. 76246
+52 (442) 296.3600 • Fax +52 (442) 296.3601