

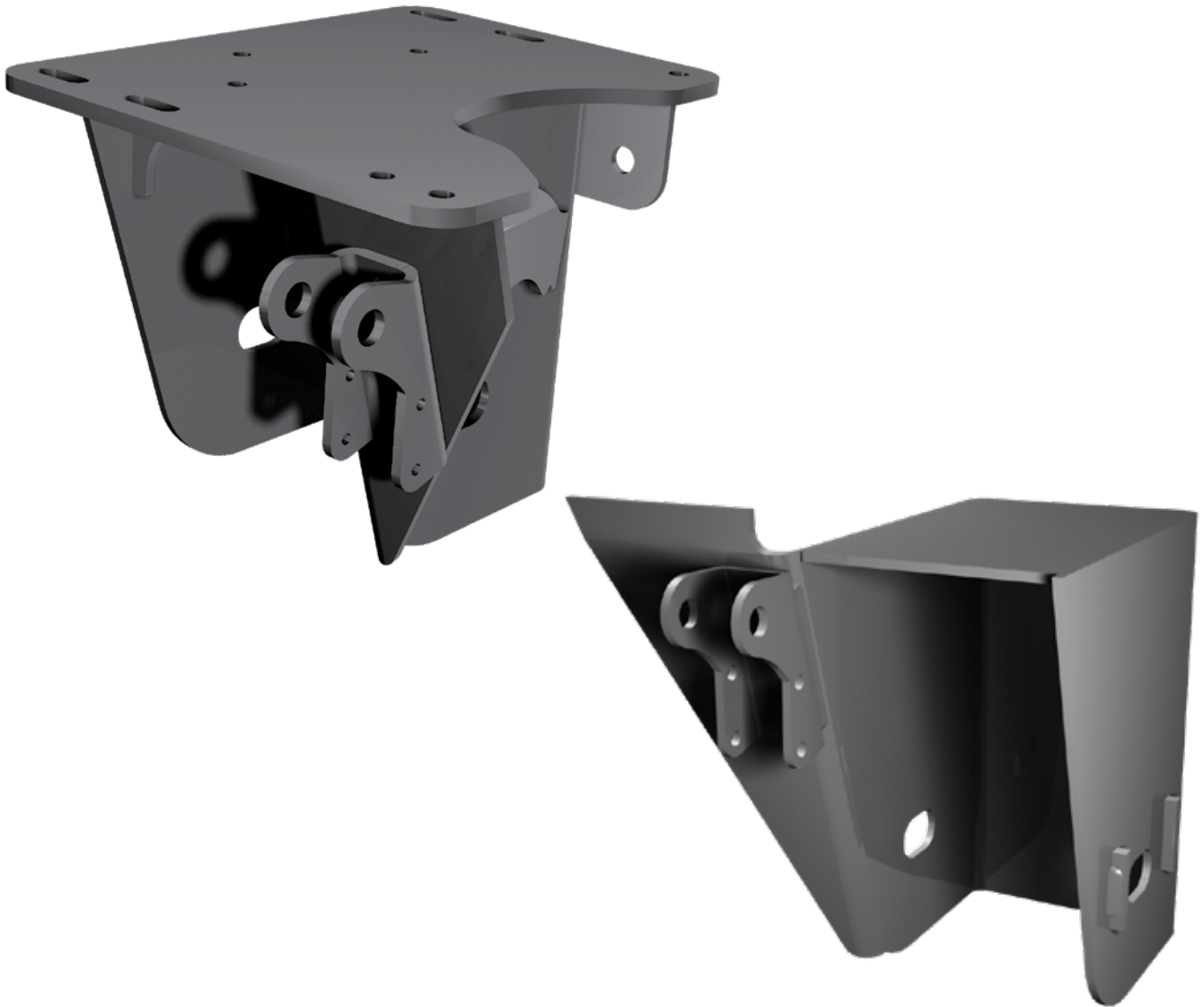
# **H** PARTS LIST

## FRAME BRACKETS

LIT NO: L1266

DATE: December 2017

REVISION: C



### TABLE OF CONTENTS

INTRAAX® – Integrated Air Suspension Systems .....	2
VANTRAAX® – Integrated Air Suspension Systems .....	9
HT™ Series – Air Suspensions .....	10
CONNEX™-ST – Self-Steer Suspension System .....	19
CONNEX™ – Unitized Air Suspension System .....	19



INTRAAX® AANT 23K

1. WELD-ON FRAME BRACKETS			
RIDE HEIGHT (INCHES)	DESCRIPTION	PART NUMBER	
		ROADSIDE	CURBSIDE
12.0	Standard, winged, steel	S-27067-4L	S-27067-4R
	Tapered, winged, steel	S-26105-1L	S-26105-1R
	Standard, wingless, steel	S-27320-16L	S-27320-16R
	Tapered, wingless, steel	S-26104-1L	S-26104-1R
13.5 14.0 15.0	Standard, winged, steel	S-27067-4L	S-27067-4R
	Tapered, winged, steel	S-26105-1L	S-26105-1R
	Tapered, winged, steel, flush mount	S-26119-1L	S-26119-1R
	Standard, winged, steel, flush mount	S-27320-10L	S-27320-10R
	Standard, winged, steel, flush side mount	S-27320-22L	S-27320-22R
	Standard, wingless, steel	S-27320-16L	S-27320-16R
13.5 14.0 15.0 HIGH CONTROL	Tapered, wingless, steel	S-26104-1L	S-26104-1R
	Standard, winged, steel	S-27067-5L	S-27067-5R
	Tapered, winged, steel	S-26105-2L	S-26105-2R
	Standard, winged, steel, flush mount	S-27320-11L	S-27320-11R
	Standard, winged, steel, flush side mount	S-27320-23L	S-27320-23R
	Standard, wingless, steel	S-27320-17L	S-27320-17R
14.0	Tapered, wingless, steel	S-26104-2L	S-26104-2R
	Standard, winged, stainless steel	S-36535-1L	S-36535-1R
16.0 17.0	Standard, winged, steel	S-27067-5L	S-27067-5R
	Tapered, winged, steel	S-26105-2L	S-26105-2R
	Tapered, winged, steel, flush mount	S-26119-2L	S-26119-2R
	Standard, winged, steel, flush mount	S-27320-11L	S-27320-11R
	Standard, winged, steel, flush side mount	S-27320-23L	S-27320-23R
	Standard, wingless, steel	S-27320-17L	S-27320-17R
16.0 17.0 HIGH CONTROL	Tapered, wingless, steel	S-26104-2L	S-26104-2R
	Standard, winged, steel	S-27067-6L	S-27067-6R
	Tapered, winged, steel	S-26105-3L	S-26105-3R
	Standard, winged, steel, flush mount	S-27320-12L	S-27320-12R
	Standard, winged, steel, flush side mount	S-27320-24L	S-27320-24R
	Standard, wingless, steel	S-27320-18L	S-27320-18R
16.0	Tapered, wingless, steel	S-26104-3L	S-26104-3R
	Standard, winged, stainless steel	S-36535-2L	S-36535-2R
18.0 19.0	Standard, winged, steel	S-27067-6L	S-27067-6R
	Tapered, winged, steel	S-26105-3L	S-26105-3R
	Standard, winged, steel, flush mount	S-27320-12L	S-27320-12R
	Standard, winged, steel, flush side mount	S-27320-24L	S-27320-24R
	Standard, wingless, steel	S-27320-18L	S-27320-18R
	Tapered, wingless, steel	S-26104-3L	S-26104-3R

NOTE: Other options may exist. Please contact Hendrickson for assistance.



<b>2. BOLT-ON FRAME BRACKETS</b>			
<b>RIDE HEIGHT (INCHES)</b>	<b>PATTERN TYPE</b>	<b>UNIVERSAL BOLT-ON<sup>1</sup></b>	
		<b>ROADSIDE</b>	<b>CURBSIDE</b>
13.5 14.0 15.0	Standard - 1/2"	S-36562-1L	S-36562-1R
	Pattern 1 - 1/2"		
	Pattern 2 - 1/2"		
	Pattern 3 - 1/2"	S-36562-2L	S-36562-2R
	Standard - 5/8"		
	Pattern 1 - 5/8"		
	Pattern 2 - 5/8"		
Pattern 3 - 5/8"			
13.5 14.0 15.0 <b>HIGH CONTROL</b>	Standard - 1/2"	S-36562-3L	S-36562-3R
	Pattern 1 - 1/2"		
	Pattern 2 - 1/2"		
	Pattern 3 - 1/2"	S-36562-4L	S-36562-4R
	Standard - 5/8"		
	Pattern 1 - 5/8"		
	Pattern 2 - 5/8"		
Pattern 3 - 5/8"			
16.0 17.0	Standard - 1/2"	S-36562-3L	S-36562-3R
	Pattern 1 - 1/2"		
	Pattern 2 - 1/2"		
	Pattern 3 - 1/2"	S-36562-4L	S-36562-4R
	Standard - 5/8"		
	Pattern 1 - 5/8"		
	Pattern 2 - 5/8"		
Pattern 3 - 5/8"			
16.0 17.0 <b>HIGH CONTROL</b>	Standard - 1/2"	S-36562-5L	S-36562-5R
	Pattern 1 - 1/2"		
	Pattern 2 - 1/2"		
	Pattern 3 - 1/2"	S-36562-6L	S-36562-6R
	Standard - 5/8"		
	Pattern 1 - 5/8"		
	Pattern 2 - 5/8"		
Pattern 3 - 5/8"			
18.0 19.0	Standard - 1/2"	S-36562-5L	S-36562-5R
	Pattern 1 - 1/2"		
	Pattern 2 - 1/2"		
	Pattern 3 - 1/2"	S-36562-6L	S-36562-6R
	Standard - 5/8"		
	Pattern 1 - 5/8"		
	Pattern 2 - 5/8"		
Pattern 3 - 5/8"			

1. As of May 2016, frame bracket mounting patterns 1, 2, 3 and standard have been replaced with the universal bolt-on frame bracket.

Please refer to page 19 for additional information about the frame bracket pattern types.

NOTE: Other options may exist. Please contact Hendrickson for assistance.



INTRAAX® AAT 23K / 25K / 30K

1. WELD-ON FRAME BRACKETS			
RIDE HEIGHT (INCHES)	DESCRIPTION	PART NUMBER	
		ROADSIDE	CURBSIDE
13.5 14.0 15.0	Standard, winged, steel	S-21028-1	S-21028-2
	Standard, winged, steel, weld-on top plate	S-21028-3	S-21028-4
	Standard, wingless, steel	S-21905-1	S-21905-2
	Standard, wingless, steel, extended	S-23000-1	S-23000-2
13.5 14.0 15.0 HIGH CONTROL	Standard, winged, steel	S-21626-1	S-21626-2
	Standard, wingless, steel	S-23000-1	S-23000-2
16.0 17.0	Standard, winged, steel	S-21082-1	S-21082-2
	Standard, winged, steel, weld-on top plate	S-21082-3	S-21082-4
	Standard, wingless, steel	S-21906-1	S-21906-2
16.0 17.0 HIGH CONTROL	Standard, winged, steel	S-22872-1	S-22872-2
	Standard, wingless, steel	S-24851-1	S-24851-2
18.0 19.0	Standard, winged, steel	S-21083-1	S-21083-2
	Standard, wingless, steel	S-22770-1	S-22770-2

2. BOLT-ON FRAME BRACKETS			
RIDE HEIGHT (INCHES)	PATTERN TYPE	UNIVERSAL BOLT-ON <sup>1</sup>	
		ROADSIDE	CURBSIDE
13.5 14.0 15.0	Standard - 1/2"	S-36566-1L	S-36566-1R
	Standard - 5/8"	S-36566-2L	S-36566-2R
	Pattern 1 - 5/8"		
	Pattern 3 - 5/8"		
13.5 14.0 15.0 HIGH CONTROL	Standard - 1/2"	S-36566-5L	S-36566-5R
	Standard - 5/8"	S-36566-6L	S-36566-6R
16.0 17.0	Standard - 1/2"	S-36566-3L	S-36566-3R
	Standard - 5/8"	S-36566-4L	S-36566-4R
	Pattern 1 - 5/8"		
	Pattern 3 - 5/8"		
16.0 17.0 HIGH CONTROL	Standard - 1/2"	S-36567-1L	S-36567-1R
	Standard - 5/8"	S-36567-2L	S-36567-2R
18.0 19.0	Standard - 1/2"	S-36567-3L	S-36567-3R
	Standard - 5/8"	S-36567-4L	S-36567-4R

1. As of May 2016, frame bracket mounting patterns 1, 2, 3 and standard have been replaced with the universal bolt-on frame bracket. Please refer to page 19 for additional information about the frame bracket pattern types.

NOTE: Other options may exist. Please contact Hendrickson for assistance.



**INTRAAX® AAEDT 30K**

<b>1. WELD-ON FRAME BRACKETS</b>			
<b>RIDE HEIGHT (INCHES)</b>	<b>DESCRIPTION</b>	<b>PART NUMBER</b>	
		<b>ROADSIDE</b>	<b>CURBSIDE</b>
14.0	Standard, winged, steel	S-24766-3L	S-24766-3R
	Standard, wingless, steel	S-24767-3L	S-24767-3R
15.0	Standard, winged, steel	S-24766-4L	S-24766-4R
	Standard, wingless, steel	S-24767-4L	S-24767-4R
16.0 17.0	Standard, winged, steel	S-24766-5L	S-24766-5R

<b>2. BOLT-ON FRAME BRACKETS</b>			
<b>RIDE HEIGHT (INCHES)</b>	<b>PATTERN TYPE</b>	<b>UNIVERSAL BOLT-ON<sup>1</sup></b>	
		<b>ROADSIDE</b>	<b>CURBSIDE</b>
14.0	Standard - 1/2"	S-36564-3L	S-36564-3R
	Standard - 5/8"	S-36564-4L	S-36564-4R
	Pattern 1 - 5/8"		
	Pattern 3 - 5/8"		
15.0	Standard - 1/2"	S-36565-1L	S-36565-1R
	Standard - 5/8"	S-36565-2L	S-36565-2R
	Pattern 3 - 5/8"		
16.0 17.0	Standard - 1/2"	S-36565-3L	S-36565-3R
	Standard - 5/8"	S-36565-4L	S-36565-4R
	Pattern 3 - 5/8"		

**INTRAAX® AANLS 20K**

<b>1. WELD-ON FRAME BRACKETS</b>			
<b>RIDE HEIGHT (INCHES)</b>	<b>DESCRIPTION</b>	<b>PART NUMBER</b>	
		<b>ROADSIDE</b>	<b>CURBSIDE</b>
6.25 7.0	Standard, winged, steel	S-26150-1L	S-26150-1R
	Standard, winged, steel, flush mount	S-26874-1L	S-26874-1R
9.0	Standard, winged, steel	S-26150-2L	S-26150-2R
	Standard, winged, steel, flush mount	S-26874-2L	S-26874-2R
12.0	Standard, winged, steel	S-27067-5L	S-27067-5R

1. As of May 2016, frame bracket mounting patterns 1, 2, 3 and standard have been replaced with the universal bolt-on frame bracket. Please refer to page 19 for additional information about the frame bracket pattern types.

NOTE: Other options may exist. Please contact Hendrickson for assistance.



INTRAAX® AANL 23K

1. WELD-ON FRAME BRACKETS			
RIDE HEIGHT (INCHES)	DESCRIPTION	PART NUMBER	
		ROADSIDE	CURBSIDE
6.5 7.5	Standard, winged, steel	S-29184-1L	S-29184-1R
	Standard, winged, steel, chamfered	S-29183-1L	S-29183-1R
	Standard, winged, steel, flush mount	S-29198-1L	S-29198-1R
	Standard, wingless, steel	S-29198-3L	S-29198-3R
	Standard, winged, steel	S-29184-1L	S-29184-1R
	Standard, winged, steel, chamfered	S-29183-1L	S-29183-1R
	Standard, winged, steel, flush mount	S-29198-1L	S-29198-1R
	Standard, wingless, steel	S-29198-3L	S-29198-3R
8.0 9.0	Standard, winged, steel	S-29184-2L	S-29184-2R
	Standard, winged, steel, chamfered	S-29183-2L	S-29183-2R
	Standard, winged, steel, flush mount	S-29198-2L	S-29198-2R
	Standard, wingless, steel	S-29198-4L	S-29198-4R
12.0	Standard, winged, steel	S-27067-4L	S-27067-4R
	Tapered, winged, steel	S-26105-1L	S-26105-1R
	Tapered, winged, steel, flush mount	S-26119-1L	S-26119-1R
	Standard, winged, steel, flush mount	S-27320-10L	S-27320-10R
	Standard, winged, steel, flush side mount	S-27320-22L	S-27320-22R
	Standard, wingless, steel	S-27320-16L	S-27320-16R
	Tapered, wingless, steel	S-26104-1L	S-26104-1R
14.0 15.0	Standard, winged, steel	S-27067-5L	S-27067-5R
	Tapered, winged, steel	S-26105-2L	S-26105-2R
	Tapered, winged, steel, flush mount	S-26119-2L	S-26119-2R
	Standard, winged, steel, flush mount	S-27320-11L	S-27320-11R
	Standard, winged, steel, flush side mount	S-27320-23L	S-27320-23R
	Standard, wingless, steel	S-27320-17L	S-27320-17R
	Tapered, wingless, steel	S-26104-2L	S-26104-2R
16.0 17.0	Standard, winged, steel	S-27067-6L	S-27067-6R
	Tapered, winged, steel	S-26105-3L	S-26105-3R
	Standard, winged, steel, flush mount	S-27320-12L	S-27320-12R
	Standard, winged, steel, flush side mount	S-27320-24L	S-27320-24R
	Standard, wingless, steel	S-27320-18L	S-27320-18R
	Tapered, wingless, steel	S-26104-3L	S-26104-3R

NOTE: Other options may exist. Please contact Hendrickson for assistance



2. BOLT-ON FRAME BRACKETS			
RIDE HEIGHT (INCHES)	PATTERN TYPE	UNIVERSAL BOLT-ON <sup>1</sup>	
		ROADSIDE	CURBSIDE
6.5 7.5	Standard - 1/2" countersunk <sup>2</sup>	S-36561-1L	S-36561-1R
	Standard - 5/8" countersunk <sup>2</sup>	S-36561-3L	S-36561-3R
	Pattern 1 - 5/8" countersunk <sup>2</sup>	S-36561-5L	S-36561-5R
	Pattern 3 - 5/8" countersunk <sup>2</sup>	S-36561-7L	S-36561-7R
8.0 9.0	Standard - 1/2" countersunk <sup>2</sup>	S-36561-2L	S-36561-2R
	Standard - 5/8" countersunk <sup>2</sup>	S-36561-4L	S-36561-4R
	Pattern 1 - 5/8" countersunk <sup>2</sup>	S-36561-6L	S-36561-6R
	Pattern 3 - 5/8" countersunk <sup>2</sup>	S-36561-8L	S-36561-8R
12.0	Standard - 1/2"	S-36562-1L	S-36562-1R
	Pattern 1 - 1/2"		
	Pattern 2 - 1/2"		
	Pattern 3 - 1/2"	S-36562-2L	S-36562-2R
	Standard - 5/8"		
	Pattern 1 - 5/8"		
	Pattern 2 - 5/8"		
Pattern 3 - 5/8"			
14.0 15.0	Standard - 1/2"	S-36562-3L	S-36562-3R
	Pattern 1 - 1/2"		
	Pattern 2 - 1/2"		
	Pattern 3 - 1/2"	S-36562-4L	S-36562-4R
	Standard - 5/8"		
	Pattern 1 - 5/8"		
	Pattern 2 - 5/8"		
	Pattern 3 - 5/8"		
16.0 17.0	Standard - 1/2"	S-36562-5L	S-36562-5R
	Pattern 1 - 1/2"		
	Pattern 2 - 1/2"		
	Pattern 3 - 1/2"		
	Standard - 5/8"	S-36562-6L	S-36562-6R
	Pattern 1 - 5/8"		
	Pattern 2 - 5/8"		
	Pattern 3 - 5/8"		

- As of May 2016, frame bracket mounting patterns 1, 2, 3 and standard have been replaced with the universal bolt-on frame bracket. Please refer to page 19 for additional information about the frame bracket pattern types.
- Countersunk frame brackets require a special bolt kit, S-30476-2/2 (1/2" bolt hole center) and S-30476-1/2 (5/8" bolt hole center). One kit per frame bracket.

NOTE: Other options may exist. Please contact Hendrickson for assistance.



**INTRAAX® AAL 23K / 25K / 30K & AAEDL 30K**

<b>1. WELD-ON FRAME BRACKETS</b>			
<b>RIDE HEIGHT (INCHES)</b>	<b>DESCRIPTION</b>	<b>PART NUMBER</b>	
		<b>ROADSIDE</b>	<b>CURBSIDE</b>
<b>6.5 7.5</b>	Standard, winged, steel	S-25401-2L	S-25401-2R
	Standard, wingless, steel	S-24767-1L	S-24767-1R
<b>8.0 9.0</b>	Standard, winged, steel	S-25401-1L	S-25401-1R
	Standard, wingless, steel	S-24767-7L	S-24767-7R
<b>12.0</b>	Standard, winged, steel	S-24766-2L	S-24766-2R
	Standard, wingless, steel	S-24767-2L	S-24767-2R
<b>14.0 15.0</b>	Standard, winged, steel	S-24766-3L	S-24766-3R
	Standard, wingless, steel	S-24767-3L	S-24767-3R
<b>16.0 17.0</b>	Standard, winged, steel	S-24766-4L	S-24766-4R
	Standard, wingless, steel	S-24767-4L	S-24767-4R
<b>19.0</b>	Standard, winged, steel	S-24766-5L	S-24766-5R

<b>2. BOLT-ON FRAME BRACKETS</b>			
<b>RIDE HEIGHT<sup>3</sup> (INCHES)</b>	<b>PATTERN TYPE</b>	<b>UNIVERSAL BOLT-ON<sup>1</sup></b>	
		<b>ROADSIDE</b>	<b>CURBSIDE</b>
<b>6.5 7.5</b>	Standard - 1/2" countersunk <sup>2</sup>	S-36563-5L	S-36563-5R
	Standard - 5/8" countersunk <sup>2</sup>	S-36563-6L	S-36563-6R
	Pattern 1 - 5/8" countersunk <sup>2</sup>	S-36563-7L	S-36563-7R
	Pattern 3 - 5/8" countersunk <sup>2</sup>	S-36563-8L	S-36563-8R
<b>8.0 9.0</b>	Standard - 1/2" countersunk <sup>2</sup>	S-36563-1L	S-36563-1R
	Standard - 5/8" countersunk <sup>2</sup>	S-36563-2L	S-36563-2R
	Pattern 1 - 5/8" countersunk <sup>2</sup>	S-36563-3L	S-36563-3R
	Pattern 3 - 5/8" countersunk <sup>2</sup>	S-36563-4L	S-36563-4R
<b>12.0</b>	Standard - 1/2"	S-36564-1L	S-36564-1R
	Standard - 5/8"	S-36564-2L	S-36564-2R
	Pattern 1 - 5/8"		
	Pattern 3 - 5/8"		
<b>14.0 15.0</b>	Standard - 1/2"	S-36564-3L	S-36564-3R
	Standard - 5/8"	S-36564-4L	S-36564-4R
	Pattern 1 - 5/8"		
	Pattern 3 - 5/8"		
<b>16.0 17.0</b>	Standard - 1/2"	S-36565-1L	S-36565-1R
	Standard - 5/8"	S-36564-2L	S-36564-2R
	Pattern 3 - 5/8"		
<b>19.0</b>	Standard - 1/2"	S-36565-3L	S-36565-3R
	Standard - 5/8"	S-36564-4L	S-36564-4R
	Pattern 3 - 5/8"		

- As of May 2016, frame bracket mounting patterns 1, 2, 3 and standard have been replaced with the universal bolt-on frame bracket. Please refer to page 19 for additional information about the frame bracket pattern types.
- Countersunk frame brackets require a special bolt kit, S-30476-2/2 (1/2" bolt hole center) and S-30476-1/2 (5/8" bolt hole center). One kit per frame bracket.
- Ride Heights 6.5 & 7.5 inches not available on AAEDL 30K models.

NOTE: Other options may exist. Please contact Hendrickson for assistance.





**VANTRAA<sup>®</sup> HKANT 23K / 40K / 46K**

<b>1. WELD-ON FRAME BRACKETS</b>			
<b>RIDE HEIGHT (INCHES)</b>	<b>PIVOT HEIGHT (INCHES)</b>	<b>PART NUMBER</b>	
		<b>ROADSIDE</b>	<b>CURBSIDE</b>
14.0 15.0	8.0	S-28531-1L	S-28531-1R
15.5 16.0 17.0	10.0	S-32194-2L	S-32194-2R
18.0 19.0	12.0	S-28531-3L	S-28531-3R

**VANTRAA<sup>®</sup> HKAT 50K & HKANT 69K23 / 69K25**

<b>1. WELD-ON FRAME BRACKETS</b>			
<b>RIDE HEIGHT (INCHES)</b>	<b>PIVOT HEIGHT (INCHES)</b>	<b>PART NUMBER</b>	
		<b>ROADSIDE</b>	<b>CURBSIDE</b>
13.5 14.0 15.0	8.0	D-21807-1	D-21807-2
15.5 16.0 17.0	10.0	S-32195-2L	S-32195-2R
18.0 19.0	12.0	S-32195-3L	S-32195-3R

**VANTRAA<sup>®</sup> HKANT 40K / 46K / 69K23 Equipped with Hendrickson-Installed UBL<sup>™</sup>**

<b>1. WELD-ON FRAME BRACKETS</b>			
<b>RIDE HEIGHT (INCHES)</b>	<b>PIVOT HEIGHT (INCHES)</b>	<b>PART NUMBER</b>	
		<b>ROADSIDE</b>	<b>CURBSIDE</b>
16.0 17.5	10	S-37787-2L	S-37787-2R

**VANTRAA<sup>®</sup> HKANL 23K**

<b>1. WELD-ON FRAME BRACKETS</b>			
<b>RIDE HEIGHT (INCHES)</b>	<b>PIVOT HEIGHT (INCHES)</b>	<b>PART NUMBER</b>	
		<b>ROADSIDE</b>	<b>CURBSIDE</b>
16.0 17.0	12.0	S-27067-6L	S-27067-6R

**VANTRAA<sup>®</sup> HKAL 46K**

<b>1. WELD-ON FRAME BRACKETS</b>			
<b>RIDE HEIGHT (INCHES)</b>	<b>PIVOT HEIGHT (INCHES)</b>	<b>PART NUMBER</b>	
		<b>ROADSIDE</b>	<b>CURBSIDE</b>
10.0	8.0	S-26067-1L	S-26067-1R
11.0	10.0	S-33173-2L	S-33173-2R

NOTE: Other options may exist. Please contact Hendrickson for assistance.



**VANTRAAX® HKARL 46K**

1. WELD-ON FRAME BRACKETS			
RIDE HEIGHT (INCHES)	PIVOT HEIGHT (INCHES)	PART NUMBER	
		ROADSIDE	CURBSIDE
9.0 10.0	8.0	S-26067-1L	S-26067-1R
11.0 12.0	10.0	S-33173-2L	S-33173-2R

**HT™ SERIES HT190T**

1. WELD-ON FRAME BRACKETS							
MODELS					DESCRIPTION	PART NUMBER	
						ROADSIDE	CURBSIDE
T-14-001	T-14-002	T-14-005	T-14-009	T-15-001	Wingless, Weld Align	S-20064-1	S-20064-2
T-15-002	T-15-005	T-15-009	T-15-020				
T-16-001	T-16-002	T-16-003	T-16-005	T-16-009	Wingless, Weld Align	S-20065-1	S-20065-2
T-17-001	T-17-002	T-17-005	T-17-009				
TA14-001	TA14-005	TA15-005			Winged, QUIK-ALIGN®	S-21179-1	S-21179-2
TA16-005	TA17-005				Winged, QUIK-ALIGN	S-21165-1	S-21165-2
TB14-001	TB14-005	TB14-024	TB15-001	TB15-002	Wingless, QUIK-ALIGN	S-21590-1	S-21590-2
TB15-005	TB15-024						
TB16-001	TB16-005	TB17-005			Wingless, QUIK-ALIGN	S-21592-1	S-21592-2

NOTE: Other options may exist. Please contact Hendrickson for assistance.



HT™ SERIES HT230T

1. WELD-ON FRAME BRACKETS					PART NUMBER	
MODELS			DESCRIPTION		ROADSIDE	CURBSIDE
-14-008	-15-008	-15-025	Wingless, Weld Align		S-20047-1	S-20047-2
-16-008	-17-008	Wingless, Weld Align		S-20048-1	S-20048-2	
-14-001	-14-004	-14-005	-14-007	-14-017	S-20064-1	S-20064-2
-14-020	-14-021	-14-024	-15-001	-15-003		
-15-005	-15-006	-15-007	-15-009	-15-012		
-15-017	-15-020	-15-026	-15-027	-15-028		
-15-517	Wingless, Weld Align					
-16-001	-16-004	-16-005	-16-006	-16-007	S-20065-1	S-20065-2
-16-009	-16-024	-16-026	-17-001	-17-003		
-17-005	-17-006	-17-007	-17-009	-17-012		
-17-017	-17-022	-17-023	-17-024	-17-026		
-17-517	Wingless, Weld Align					
-19-001	-1T9-027	Wingless, Weld Align		S-14190-1	S-14190-2	
TA15-525	TA16-001	TA16-004	TA16-007	TA17-001	S-21165-1	S-21165-2
TA17-003	TA17-007	TA17-013	TA17-026	TA17-517		
TA17-522	Winged, QUIK-ALIGN®					
TA14-001	TA14-004	TA14-007	TA14-020	TA14-021	S-21179-1	S-21179-2
TA14-520	TA14-601	TA14-701	TA15-001	TA15-003		
TA15-007	TA15-009	TA15-012	TA15-016	TA15-018		
TA15-026	TA15-517	TA15-522	TA15-523	TA15-524		
TA15-601	TA15-701	Winged, QUIK-ALIGN				
TA15-016	Winged, QUIK-ALIGN				S-21179-3	S-21179-4
TA19-001	Winged, QUIK-ALIGN				S-21193-1	S-21193-2
TA14-008	TA15-008	TA15-025	Winged, QUIK-ALIGN		S-21249-1	S-21249-2
TA17-008	Winged, QUIK-ALIGN				S-21250-1	S-21250-2
TB14-001	TB14-021	TB14-022	TB14-024	TB14-701	S-21590-1	S-21590-2
TB15-001	TB15-003	TB15-009	TB15-020	TB15-026		
TB15-027	TB15-028	Wingless, QUIK-ALIGN				
TB14-033	TB16-001	TB16-004	TB16-024	TB16-026	S-21592-1	S-21592-2
TB17-001	TB17-003	TB17-009	TB17-024	TB17-026		
TB15-025	Wingless, QUIK-ALIGN				S-22420-1	S-22420-2
TB19-001	Wingless, QUIK-ALIGN				S-23461-1	S-23461-2

NOTE: Other options may exist. Please contact Hendrickson for assistance.



2. BOLT-ON FRAME BRACKETS							
MODELS			DESCRIPTION	PART NUMBER			
				ROADSIDE	CURBSIDE		
-14-002	-14-011	-15-002	-15-004	-15-011	Wingless, Weld Align	S-20007-1	S-20007-2
-15-032	-16-021						
-16-002	-16-010	-17-002	-17-004	-17-011	Wingless, Weld Align	S-20008-1	S-20008-2
-17-032							
-19-004					Wingless, Weld Align	S-20190-1	S-20190-2
-19-002					Wingless, Weld Align	S-20396-1	S-20396-2
TA14-002	TA15-002	TA15-004			Winged, QUIK-ALIGN®	S-21204-1	S-21204-2
TA16-002	TA17-002				Winged, QUIK-ALIGN	S-21205-1	S-21205-2
-18-052					Winged, QUIK-ALIGN	S-21332-1	S-21332-2
TA14-070	TA15-071	TB14-070			Winged, QUIK-ALIGN	S-25812-1	S-25812-2
TA15-036					Winged, QUIK-ALIGN	S-24912-1	S-24912-2
TB14-002	TB15-002				Wingless, QUIK-ALIGN	S-22137-1	S-22137-2
TB16-002	TB17-002	TB18-002			Wingless, QUIK-ALIGN	S-22138-1	S-22138-2
TB14-071	TB15-071				Wingless, QUIK-ALIGN	S-25494-1	S-25494-2
TC14-060	TC15-060	TC15-062			Wingless, Weld Align	S-24177-1	S-24177-2
TC16-060	TC17-060	TC18-060	TC16-062	TC17-062	Wingless, Weld Align	S-24178-1	S-24178-2
TC18-062							
TC19-060	TC19-062				Wingless, Weld Align	S-24181-1	S-24181-2
TC14-061	TC15-061	TC15-063			Wingless, Weld Align	S-24179-1	S-24179-2
TC16-061	TC17-061	TC18-061	TC16-063	TC17-063	Wingless, Weld Align	S-24180-1	S-24180-2
TC18-063							

NOTE: Other options may exist. Please contact Hendrickson for assistance.



HT™ SERIES HT250T

1. WELD-ON FRAME BRACKETS							PART NUMBER	
MODELS					DESCRIPTION	PART NUMBER		
						ROADSIDE	CURBSIDE	
T-12-001	T-12-003	T-12-006	T-12-020	T-14-001	Wingless, Weld Align	S-20064-1	S-20064-2	
T-14-003	T-14-006	T-14-021	T-15-001	T-15-006				
T-15-021	T-15-022	T-15-023	T-15-026					
T-16-001	T-16-003	T-16-006	T-16-021	T-16-022	Wingless, Weld Align	S-20065-1	S-20065-2	
T-17-001	T-17-006	T-17-020	T-17-021	T-17-022				
T-17-023	T-17-501							
T-19-001					Wingless, Weld Align	S-14190-1	S-14190-2	
T-16-016					Wingless, Weld Align	S-21040-1	S-21040-2	
TA19-001					Winged, QUIK-ALIGN	S-21193-1	S-21193-2	
TA12-001	TA14-001	TA14-021	TA15-001	TA15-021	Winged, QUIK-ALIGN	S-21179-1	S-21179-2	
TA16-001	TA16-021	TA17-001	TA17-020	TA17-021	Winged, QUIK-ALIGN	S-21165-1	S-21165-2	
TA14-016					Winged, QUIK-ALIGN	S-21179-3	S-21179-4	
TB12-001	TB12-003	TB12-024	TB12-029	TB14-001	Wingless, QUIK-ALIGN	S-21590-1	S-21590-2	
TB14-003	TB14-015	TB14-021	TB14-022	TB14-024				
TB15-001	TB15-021	TB15-023	TB15-024	TB15-025				
TB15-026								
TB16-001	TB16-020	TB16-021	TB16-022	TB16-023	Wingless, QUIK-ALIGN	S-21592-1	S-21592-2	
TB16-024	TB16-026	TB17-001	TB17-020	TB17-021				
TB17-024	TB17-026	TB17-027	TB17-028					
TB19-001					Wingless, QUIK-ALIGN	S-23461-1	S-23461-2	

2. BOLT-ON FRAME BRACKETS							PART NUMBER	
MODELS					DESCRIPTION	PART NUMBER		
						ROADSIDE	CURBSIDE	
T-16-002	T-17-002				Wingless, Weld Align	S-20008-1	S-20008-2	
T-19-002	T-19-004				Wingless, Weld Align	S-20396-1	S-20396-2	
T-12-002	T-14-002	T-15-002			Wingless, Weld Align	S-20007-1	S-20007-2	
T-15-025					Wingless, Weld Align	S-20047-1 <sup>4</sup>	S-20047-2 <sup>2</sup>	
TA12-002	TA14-002	TA15-002			Winged, QUIK-ALIGN®	S-21204-1	S-21204-2	
TA16-002	TA17-002				Winged, QUIK-ALIGN	S-21205-1	S-21205-2	
TA14-070					Winged, QUIK-ALIGN	S-25812-1	S-25812-2	
TB12-002					Wingless, QUIK-ALIGN	S-22137-1	S-22137-2	
TB14-071					Wingless, QUIK-ALIGN	S-25494-1	S-25494-2	
TB15-036					Wingless, QUIK-ALIGN	S-25109-1	S-25109-2	

4. Trailer manufacturer or OEM supplied bolt-on mounting plate.



HT™ SERIES HT300T

1. WELD-ON FRAME BRACKETS								
MODELS				DESCRIPTION	PART NUMBER			
					ROADSIDE	CURBSIDE		
-15-001	-15-005	-15-007	-15-017	-15-024	-15-501	Wingless, Weld Align	S-20196-1	S-20196-2
-15-518	-15-701							
-17-001	-17-005	-17-007	-17-024	-17-501		Wingless, Weld Align	S-20197-1	S-20197-2
-17-518	-17-701							
-15-016						Wingless, Weld Align	S-20286-1	S-20286-2
-17-003	-17-012	-17-019	-17-503	-17-520		Wingless, Weld Align	S-20065-1	S-20065-2
-17-025						Wingless, Weld Align	S-21123-1	S-21123-2
-19-001						Wingless, Weld Align	S-14190-1	S-14190-2
-21-003						Wingless, Weld Align	S-21454-1	S-21454-2
-23-001						Wingless, Weld Align	S-21150-1	S-21150-2
-15-021	-15-025					Wingless, Weld Align	S-21122-1	S-21122-2
TB15-001	TB15-023	TB15-024	TB15-027	TB15-518		Wingless, QUIK-ALIGN®	S-23790-1	S-23790-2
TB17-001	TB17-024					Wingless, QUIK-ALIGN	S-24635-1	S-24635-2
TB19-007	TB19-020					Wingless, QUIK-ALIGN	S-23461-1	S-23461-2
TB15-016						Wingless, QUIK-ALIGN	S-23797-1	S-23797-2
TB16-026	TB17-003					Wingless, QUIK-ALIGN	S-21592-1	S-21592-2

2. BOLT-ON FRAME BRACKETS								
MODELS				DESCRIPTION	PART NUMBER			
					ROADSIDE	CURBSIDE		
-23-002						Wingless, Weld Align	S-22073-1	S-22073-2
-17-022						Wingless, Weld Align	S-22281-1	S-22281-2
-17-004						Wingless, Weld Align	S-20008-1	S-20008-2
TA15-070						Winged, QUIK-ALIGN	S-25461-1	S-25461-2
TA15-036						Winged, QUIK-ALIGN	S-25618-1	S-25618-2
TA17-070						Winged, QUIK-ALIGN	S-25462-1	S-25462-2
TC15-060						Wingless, QUIK-ALIGN	S-24220-1	S-24220-2
TC15-061						Wingless, QUIK-ALIGN	S-24226-1	S-24226-2
TB17-022						Wingless, QUIK-ALIGN	S-23512-1	S-23512-2
TC17-060						Wingless, QUIK-ALIGN	S-24222-1	S-24222-2
TC17-061						Wingless, QUIK-ALIGN	S-24228-1	S-24228-2
TC19-060	TC19-062					Wingless, QUIK-ALIGN	S-24181-1	S-24181-2
TC19-061	TC19-063					Wingless, QUIK-ALIGN	S-24251-1	S-24251-2
TC15-060	TC15-064					Wingless, Weld Align	S-24220-1	S-24220-2
TC17-060	TC17-064	TC17-062	TC17-066			Wingless, Weld Align	S-24222-1	S-24222-2
TC19-060	TC19-064	TC19-062	TC19-066			Wingless, Weld Align	S-24181-1	S-24181-2
TC15-061	TC15-065					Wingless, Weld Align	S-24226-1	S-24226-2
TC17-061	TC17-065	TC17-063	TC17-067			Wingless, Weld Align	S-24228-1	S-24228-2
TC19-061	TC19-065	TC19-063	TC19-067			Wingless, Weld Align	S-24251-1	S-24251-2

NOTE: Other options may exist. Please contact Hendrickson for assistance.



HT™ SERIES HT190U

1. WELD-ON FRAME BRACKETS							
MODELS					DESCRIPTION	PART NUMBER	
						ROADSIDE	CURBSIDE
U-9-001	U-9-007	U-9-020	U-9-022	U-9-024	Wingless, Weld Align	S-20211	S-20065-2
U-6-020	U-7-001	U-7-020	U-7-024		Wingless, Weld Align	S-20216	S-20064-2
U-7.5-001	U-7.5-020	U-7.5-501	U-7.5-517				
U-6.75-001	U-6.75-002	U-6.75-003	U-6.75-020	U-7-021	Wingless, Weld Align	S-20222	S-20222
U-12-001					Wingless, Weld align	S-15188-1	S-14190-2
U-12-031					Wingless, Weld align	S-14959-1	S-14959-2
UB6-020	UB6-030	UB7-001	UB7-020		Wingless, QUIK-ALIGN	S-22580	S-21590-2
UB7-021	UB7.5-001	UB7.5-020					
UB9-001	UB9-020				Wingless, QUIK-ALIGN	S-22601	S-21592-2
UB12-001					Wingless, QUIK-ALIGN	S-23265-1	S-23461-2

NOTE: Other options may exist. Please contact Hendrickson for assistance.



HT™ SERIES HT250U

1. WELD-ON FRAME BRACKETS							
MODELS					DESCRIPTION	PART NUMBER	
						ROADSIDE	CURBSIDE
U-6.5-001	U-6.5-008	U-6.5-011	U-6.5-020	U-6.5-021	Wingless, Weld Align	S-20321-1	S-20321-2
U-6.5-027	U-6.5-517	U-7.5-005	U-7.5-005				
U-7.5-001	U-7.5-002	U-7.5-003	U-7.5-008	U-7.5-017	Wingless, Weld Align	S-20322-1	S-20322-2
U-7.5-027	U-7.5-517	U-9-001	U-9-002	U-9-003			
U-9-004	U-9-006	U-9-008	U-9-010	U-9-022			
U-9-024	U-9-025	U-9-027	U-9-028	U-9-029			
U-9-517							
U-12-002	U-14-001	U-14-006	U-14-008	U-14-024	Wingless, Weld Align	S-20324-1	S-20324-2
U-14-026	U-14-028	U-14-517					
U-12-001	U-12-006	U-12-008	U-12-026	U-12-517	Wingless, Weld Align	S-20323-1	S-20323-2
U-6.5-002	U-6.5-003	U-6.5-022			Wingless, Weld Align	S-20717-1	S-20717-2
U-9-020	U-9-021	U-9-023	U-15-022		Wingless, Weld Align	S-23860-3	S-23860-4
U-6.5-024					Wingless, Weld Align	S-22663-1	S-22663-2
U-7.5-021					Wingless, Weld Align	S-20357-1	S-20357-2
U-6.5-030	U-6.5-031				Wingless, Weld Align	S-15019-1	S-15019-2
UB14-001	UB14-006	UB14-023	UB14-027	UB14-028	Wingless, QUIK-ALIGN®	S-22634-1	S-22634-2
UB12-001	UB12-006	UB12-027	UB12-028		Wingless, QUIK-ALIGN	S-21688-1	S-21688-2
UB9-022	UB15-022				Wingless, QUIK-ALIGN	S-23859-1	S-23859-2
UB7.5-001	UB7.5-517	UB7.5-522	UB9-001	UB9-002	Wingless, QUIK-ALIGN	S-21926-1	S-21926-2
UB9-003	UB9-004	UB9-0010	UB9-013	UB9-522			
UB6.5-001	UB6.5-022	UB6.5-517	UB7.5-005		Wingless, QUIK-ALIGN	S-21927-1	S-21927-2
UB6.5-002					Wingless, QUIK-ALIGN	S-22581-1	S-22581-2
UB15-022					Wingless, QUIK-ALIGN	S-23859-1	S-23859-2

2. BOLT-ON FRAME BRACKETS							
MODELS					DESCRIPTION	PART NUMBER	
						ROADSIDE	CURBSIDE
U-12-007					Wingless, Weld Align	S-20337-1	S-20337-2
U-14-007					Wingless, Weld Align	S-21230-1	S-21230-2
U-6.5-007					Wingless, Weld Align	S-20326-1	S-20326-2
U-7.5-007	U-9-007				Wingless, Weld Align	S-20327-1	S-20327-2

NOTE: Other options may exist. Please contact Hendrickson for assistance.





**HT™ SERIES HT250US**

<b>1. WELD-ON FRAME BRACKETS</b>			
<b>RIDE HEIGHT (INCHES)</b>	<b>DESCRIPTION</b>	<b>PART NUMBER</b>	
		<b>ROADSIDE</b>	<b>CURBSIDE</b>
3.5 4.0	Standard travel and shock mount	S-23848-1	S-23848-2
5.5 6.5	Standard travel and shock mount	S-22826-1	S-22826-2
	Standard travel and remote shock mount	S-22826-3	S-22826-4
6.5	Limited jounce and std. shock mount	S-22827-1	S-22827-2
	Extended rebound travel and std. shock mount	S-23166-1	S-23166-2
	Extended rebound travel and remote shock mount	S-22826-3	S-22826-4
7.5 9.0	Standard travel, limited jounce and std. shock mount	S-22827-1	S-22827-2
	Standard travel, limited jounce and remote shock mount	S-22827-3	S-22827-4
12.0	Standard travel and shock mount	S-22828-1	S-22828-2
	Standard travel and remote shock mount	S-22828-3	S-22828-4
	Limited jounce and std. shock mount	S-22829-1	S-22829-2
14.0	Standard travel and shock mount	S-22829-1	S-22829-2
	Standard travel and remote shock mount	S-22829-3	S-22829-4

<b>2. BOLT-ON FRAME BRACKETS</b>			
<b>RIDE HEIGHT (INCHES)</b>	<b>DESCRIPTION</b>	<b>PART NUMBER</b>	
		<b>ROADSIDE</b>	<b>CURBSIDE</b>
5.5 6.5	Standard travel	S-23009-1	S-23009-2
6.5 7.5 9.0	Limited jounce	S-23010-1	S-23010-2
7.5 9.0	Standard travel and limited jounce	S-23010-1	S-23010-2
12.0	Standard travel	S-23011-1	S-23011-2
	Limited jounce	S-23012-1	S-23012-2
14.0	Standard travel	S-23012-1	S-23012-2

NOTE: Other options may exist. Please contact Hendrickson for assistance.



HT™ SERIES HT300U

1. WELD-ON FRAME BRACKETS					DESCRIPTION	PART NUMBER	
MODELS						ROADSIDE	CURBSIDE
U-7.5-001	U-7.5-501	U-7.5-519	U-9-001	U-9-005	Wingless, Weld Align	S-20268-1	S-20268-2
U-9-011	U-9-020	U-9-024	U-9-501	U-9-519			
U-9-701							
U-12-001	U-12-005	U-12-011	U-12-015	U-12-024	Wingless, Weld Align	S-20269-1	S-20269-2
U-14-001	U-14-005	U-14-011	U-14-015	U-14-022	Wingless, Weld Align	S-20270-1	S-20270-2
U-14-023	U-14-701						
U-17-001	U-17-011	U-17-024			Wingless, Weld Align	S-20271-1	S-20271-2
U-14-020					Wingless, Weld Align	S-22777-1	S-22777-2
U-9-021					Wingless, Weld Align	S-22779-1	S-22779-2
U-15-011					Wingless, Weld Align	S-22511-1	S-22511-2
U-17-020					Wingless, Weld Align	S-20914-1	S-20914-2
U-17-021					Wingless, Weld Align	D-21367-1	D-21367-2
U-14-021					Wingless, Weld Align	S-21380-1	S-21380-2
U-12-020					Wingless, Weld Align	S-22778-1	S-22778-2
U-9-022					Wingless, Weld Align	S-23408-1	S-23408-2
UB9-022					Wingless, QUIK-ALIGN®	S-24183-1	S-24183-2
UB14-022					Wingless, QUIK-ALIGN	S-29354-1	S-29354-2

HT™ SERIES HT300US

1. WELD-ON FRAME BRACKETS			
RIDE HEIGHT (INCHES)	DESCRIPTION	PART NUMBER	
		ROADSIDE	CURBSIDE
5.5	Standard travel and shock mount	S-22826-1	S-22826-2
	Standard travel and remote shock mount	S-22826-3	S-22826-4
6.5	Standard travel and std. shock mount	S-22826-1	S-22826-2
	Limited jounce, std. shock mount	S-22826-3	S-22826-4
	Extended rebound travel and std. shock mount	S-23166-1	S-23166-2
7.5 9.0	Standard travel, limited jounce and std. shock mount	S-22827-1	S-22827-2
	Standard travel, limited jounce and remote shock mount	S-22827-3	S-22827-4
12.0	Standard travel, limited jounce and std. shock mount	S-22828-1	S-22828-2
	Standard travel, limited jounce and remote shock mount	S-22828-3	S-22828-4
14.0	Standard travel, limited jounce and std. shock mount	S-22829-1	S-22829-2
	Standard travel, limited jounce and remote shock mount	S-22829-3	S-22829-4
17.0	Standard travel, limited jounce and std. shock mount	S-28470-1	S-28470-2
	Standard travel, limited jounce and remote shock mount	S-28470-3	S-28470-4

NOTE: Other options may exist. Please contact Hendrickson for assistance.



2. BOLT-ON FRAME BRACKETS			
RIDE HEIGHT (INCHES)	DESCRIPTION	PART NUMBER	
		ROADSIDE	CURBSIDE
5.5 6.5	Standard travel and shock mount	S-33061-1L	S-33061-1R
6.5	Limited jounce and std. shock mount	S-33061-1L	S-33061-1R
7.5 9.0	Standard travel, limited jounce and std. shock mount	S-33061-2L	S-33061-2R
12.0	Standard travel and std. shock mount	S-33061-3L	S-33061-3R

NOTE: Other options may exist. Please contact Hendrickson for assistance.

### CONNEX™-ST CXSL 25K

1. WELD-ON FRAME BRACKETS			
RIDE HEIGHT (INCHES)	DESCRIPTION	PART NUMBER	
		ROADSIDE	CURBSIDE
13.0 14.0 15.0	Standard, winged	S-21179-1	S-21179-2
	Standard, wingless	S-21590-1	S-21590-2
16.0 17.0	Standard, winged	S-21165-1	S-21165-2
	Standard, wingless	S-21592-1	S-21592-2
18.0 19.0	Standard, winged	S-21265-1	S-21265-2
	Standard, wingless	S-22828-3	S-22828-4

2. BOLT-ON FRAME BRACKETS			
RIDE HEIGHT (INCHES)	DESCRIPTION	UNIVERSAL BOLT-ON	
		ROADSIDE	CURBSIDE
13.0 14.0 15.0	Winged	S-36234-1L	S-36234-1R
16.0 17.0	Winged	S-36234-2L	S-36234-2R
18.0 19.0	Winged	S-36234-3L	S-36234-3R

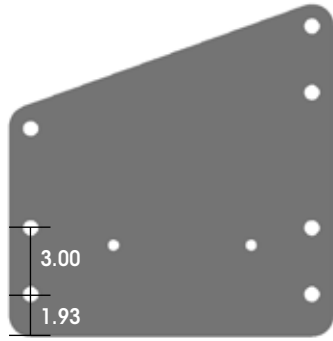
### CONNEX™ CXU 23K / 25K

1. WELD-ON FRAME BRACKETS			
RIDE HEIGHT (INCHES)	DESCRIPTION	PART NUMBER	
		ROADSIDE	CURBSIDE
5.5 6.5	Standard travel, wingless	S-22826-1	S-22826-2
6.5	Limited jounce, wingless	S-22826-1	S-22826-2
7.5	Limited jounce, wingless	S-22827-1	S-22827-2
7.5 9.0	Standard travel, wingless	S-22827-1	S-22827-2

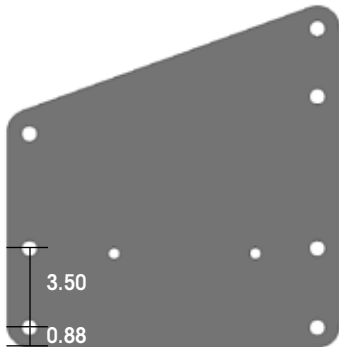
2. BOLT-ON FRAME BRACKETS			
RIDE HEIGHT (INCHES)	DESCRIPTION	UNIVERSAL BOLT-ON	
		ROADSIDE	CURBSIDE
5.5 6.5	Standard travel, wingless	S-37505-1L	S-37505-1R

NOTE: Other options may exist. Please contact Hendrickson for assistance.

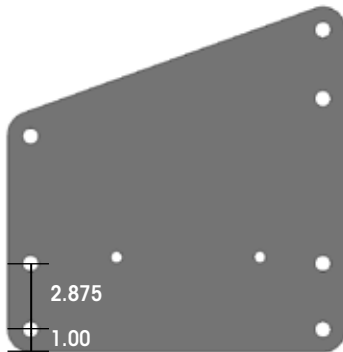
FRAME BRACKET TOP PLATE PATTERN



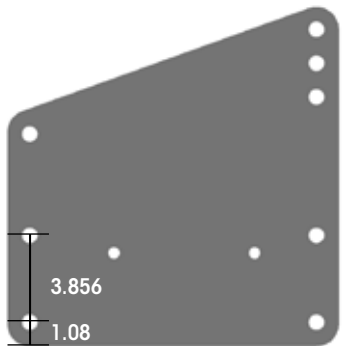
Standard



Pattern 1



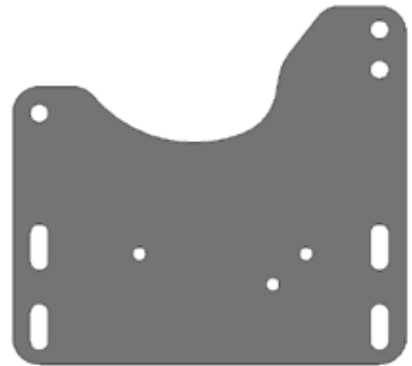
Pattern 2



Pattern 3



Replace with



Universal bolt-on

Note: Universal bolt-on frame brackets replace standard, pattern 1, pattern 2 and pattern 3 bolt-on frame brackets as of May 2016.

See D-26651 INTRAAX Bolt-on Mounting Drawing for universal bolt-on and other frame bracket pattern specifications.







Call Hendrickson at **330.489.0045** or **866.RIDEAIR (743.3247)** for additional information.



[www.hendrickson-intl.com](http://www.hendrickson-intl.com)

**TRAILER COMMERCIAL VEHICLE SYSTEMS**

2070 Industrial Place SE  
Canton, OH 44707-2641 USA  
866.RIDEAIR (743.3247)  
330.489.0045 • Fax 800.696.4416

**Hendrickson Canada**

250 Chrysler Drive, Unit #3  
Brampton, ON Canada L6S 6B6  
800.668.5360  
905.789.1030 • Fax 905.789.1033

**Hendrickson Mexicana**

Circuito El Marqués Sur #29  
Parque Industrial El Marqués  
Pob. El Colorado, Municipio El Marqués,  
Querétaro, México C.P. 76246  
+52 (442) 296.3600 • Fax +52 (442) 296.3601