

H PARTS LIST

TRI-FUNCTIONAL[®] BUSHING REPLACEMENT TOOL

LIT NO: L589

DATE: January 2014

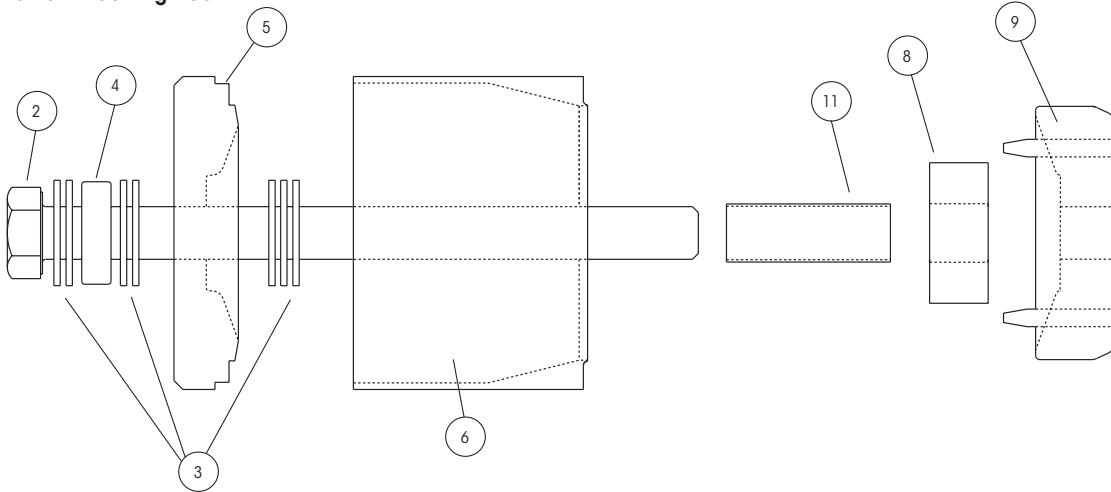
Revision: F



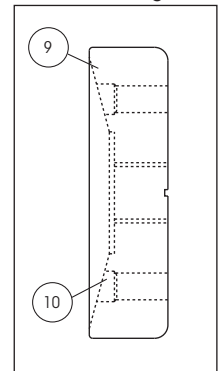
BUSHING TOOLS

ITEM	DESCRIPTION	QTY.	WIDE BUSHING TOOL PART NUMBER	NARROW BUSHING TOOL PART NUMBER
1	COMPLETE BUSHING TOOL (Individual Components Shown)	1	S-21307	S-24736
2	HEX HEAD BOLT			
	ACME threads — 14"	1	N/A	S-24215
	ACME threads — 18"	1	S-21308	N/A
3	WASHERS	7	SA-1500-15	SA-1500-15
4	THRUST BEARING	1	S-21315	S-21315
5	FRONT PLATE	1	S-21312	S-26986
6	TRANSITION TUBE	1	S-21313	S-24216
7	CUP (Not Shown)	1	S-21310	N/A
8	REMOVAL SPACER	1	S-21314	S-21314
9	REAR DRIVE PLATE	1	S-21309	S-26985
10	CUP POINT SET SCREW			
	4" screw for removal	2	SA-2800-4	N/A
	2" screw for installation	2	SA-2800-7	N/A
11	LINER	1	N/A	S-2068-4
12	EXTREME PRESSURE LUBE (Not Shown)	1	S-21337	S-21337

Narrow Bushing Tool



Wide Bushing Tool



Call your trailer dealer or Hendrickson at **330.489.0045** or **866.RIDEAIR (743.3247)** for additional information.



www.hendrickson-intl.com

TRAILER COMMERCIAL VEHICLE SYSTEMS

2070 Industrial Place SE
Canton, OH 44707-2641 USA
866.RIDEAIR (743.3247)
330.489.0045 • Fax 800.696.4416

Hendrickson Canada

250 Chrysler Drive, Unit #3
Brampton, ON Canada L6S 6B6
800.668.5360
905.789.1030 • Fax 905.789.1033

Hendrickson Mexicana

Circuito El Marqués Sur #29
Parque Industrial El Marqués
Pob. El Colorado, Municipio El Marqués,
Querétaro, México C.P. 76246
+52 (442) 296.3600 • Fax +52 (442) 296.3601