

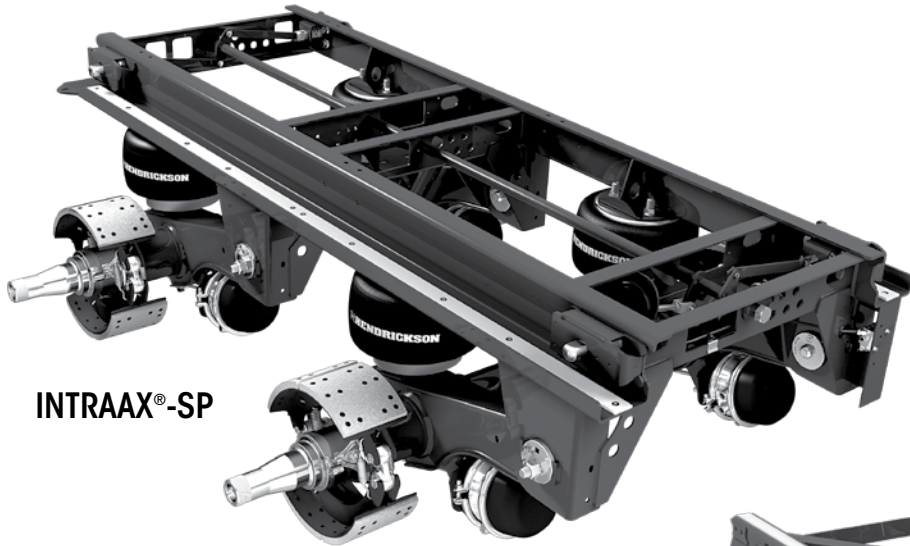
# **PARTS LIST**

## SLIDER ACCESSORIES AND AXLE COMPONENTS

LIT NO: L1102

DATE: August 2017

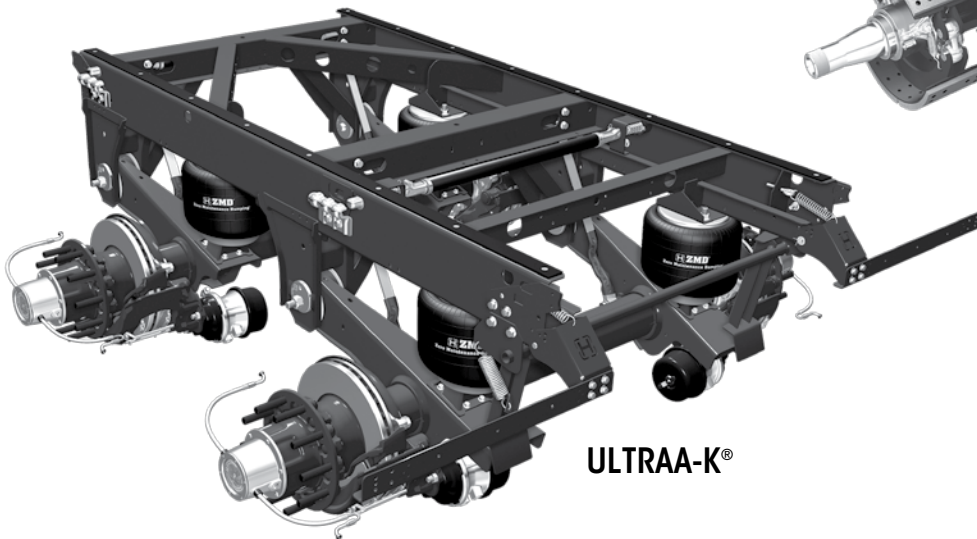
REVISION: D



**INTRAAX®-SP**

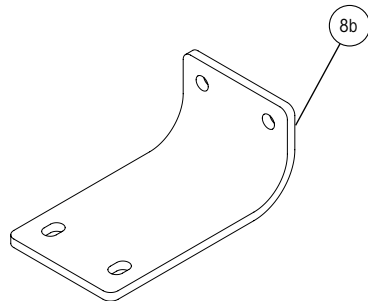
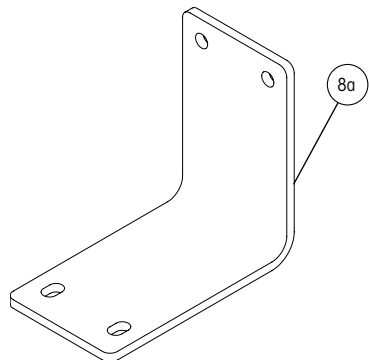
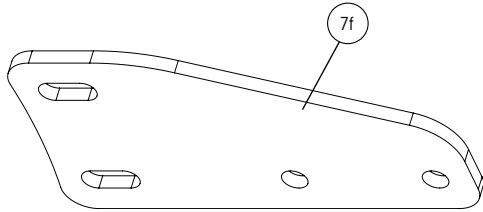
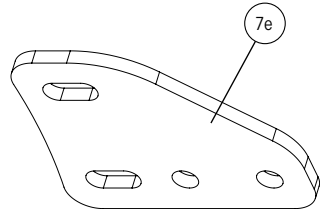
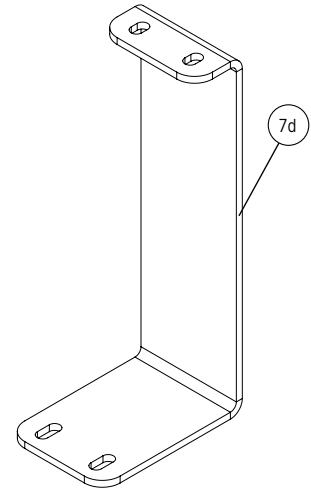
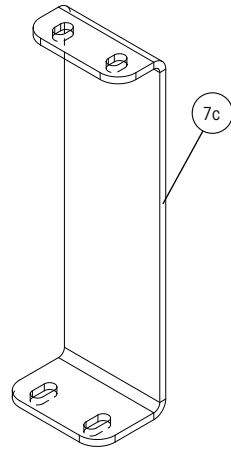
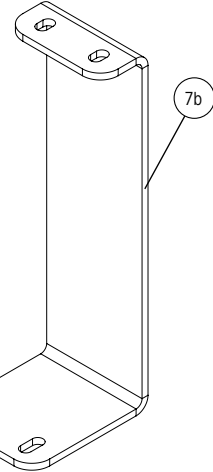
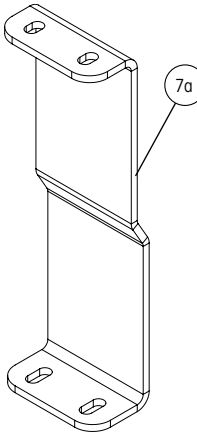
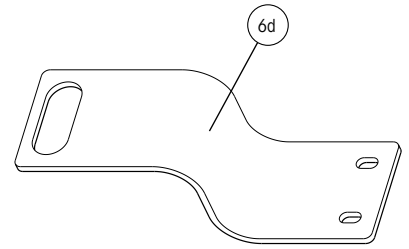
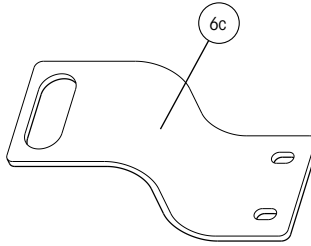
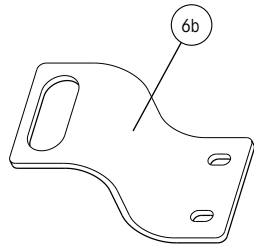
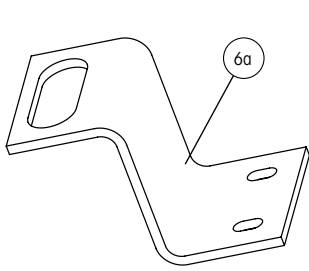
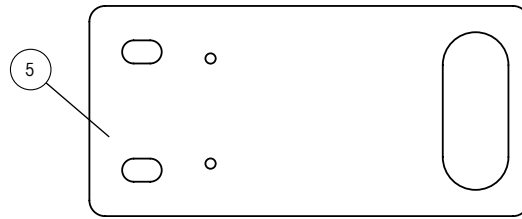


**VANTRAAX®**



**ULTRAAX-K®**

# SLIDER ACCESSORIES AND AXLE COMPONENTS



## SLIDER ACCESSORIES AND AXLE COMPONENTS

### SLIDER ACCESSORIES

ITEM	DESCRIPTION	PART NO.	SYSTEM QTY.	NOTES
<b>1</b>	<b>MANUAL STOP BAR</b>			
	42" box with 1.375" diameter pins	S-14231-2	1	For 6" center-to-center hole spacing
	48" box with 1.375" diameter pins	S-14231-8	1	For 6" center-to-center hole spacing
	54" box with 1.375" diameter pins	S-14231-4	1	For 6" center-to-center hole spacing
	42" box with 1.625" diameter pins	S-21477-2	1	For 4" center-to-center hole spacing
	48" box with 1.625" diameter pins	S-21477-8	1	For 4" center-to-center hole spacing
	54" box with 1.625" diameter pins	S-21477-4	1	For 4" center-to-center hole spacing
<b>2</b>	<b>STINGER</b>	S-24008-3	1	32" length; Includes stinger, air-line bracket, screws and nuts
<b>3</b>	<b>MUD FLAP BRACKET</b>			Includes (1) bracket, bolts and lock-nut
	42" box	S-22428-2	1	
	48" and 54" box	S-22428-8	1	
<b>4</b>	<b>SLIDER WEAR PADS</b>			
	HS Slider (per side)	S-14342-1	2	Includes (1) slider wear pad, (8) nuts and (8) screws
	K-2® Sliders (per side)	S-14342-3	2	Includes (1) slider wear pad, (8) nuts and (8) screws
	Tridem 60 (per side)	S-29204-60	2	Includes (3) slider wear pads, (12) nuts and (12) screws
	Tridem 72 (per side)	S-29204-72	2	Includes (3) slider wear pads, (12) nuts and (12) screws
<b>5</b>	<b>VANTRAA® Weld-on Flat Air Tank Bracket</b>			
	48" and 54" box	C-26921	2	Includes (1) bracket
<b>6</b>	<b>VANTRAA® Weld-on "Z" Air Tank Bracket</b>			Includes (1) bracket
	<b>6a</b> 42" box	B-27131	2	HKAT 50K and HTHKA models only
	<b>6b</b> 42" box	D-35754-1	2	
	<b>6c</b> 48" box	D-35754-2	2	
	<b>6d</b> 54" box	D-35754-3	2	
<b>7</b>	<b>INTRAA®-SP AIR TANK BRACKET KIT</b>			
	<b>7a</b> 37-inch & 38-inch I-Beam Centers	S-27011-1	1	AAZNT Models with large air tank only; Includes 2 brackets, 4 screws and 4 nuts
	<b>7b</b> 43-inch & 44-inch I-Beam Centers	S-27011-2	1	AAZNT Models with large air tank only; Includes 2 brackets, 4 screws and 4 nuts
	<b>7c</b> 37-inch & 38-inch I-Beam Centers	S-27011-3	1	AAZNT Models with small air tank only; Includes 2 brackets, 4 screws and 4 nuts
	<b>7d</b> 43-inch & 44-inch I-Beam Centers	S-27011-4	1	AAZNT Models with small air tank only; Includes 2 brackets, 4 screws and 4 nuts
	<b>7e</b> 37-inch & 38-inch I-Beam Centers	S-27742-1	1	AAZL models with large or small air tank; Includes 2 brackets, 4 screws and 4 nuts
	<b>7f</b> 43-inch & 44-inch I-Beam Centers	S-27742-2	1	AAZL models with large or small air tank; Includes 2 brackets, 4 screws and 4 nuts
<b>8</b>	<b>ULTRAA-K® AIR TANK BRACKET KIT</b>			
	<b>8a</b> Standard	S-34883/2	2	Includes (1) bracket, (2) screws and (2) nuts
	<b>8b</b> Optional	S-34884/2	2	Includes (1) bracket, (2) screws and (2) nuts

# SLIDER ACCESSORIES AND AXLE COMPONENTS

## AXLE COMPONENTS

ITEM	DESCRIPTION	PART NO.	QTY. PER AXLE	NOTES
<b>1</b>	<b>AXLE NUT KIT</b>			
	HN Spindle	S-20492/2	2	Includes inner axle nut, outer axle nut, lock washer and set screw
	HP Spindle	S-20475/2	2	Includes inner axle nut, outer axle nut, lock washer and set screw
	STEMCO PRO-TORQ (HN)	A-23851	2	1-piece spindle nut
	STEMCO PRO-TORQ (HP)	A-23852	2	1-piece spindle nut
	PRECISION320®	S-29286/2	2	Includes button head cap screws, interlock washer, spindle nut
	PRECISION240®	S-33332/2	2	Includes button head cap screws, interlock washer, spindle nut
<b>2</b>	<b>AXLE FILTER KIT</b>			
	HN Spindle	S-24963	1	Includes (2) end plugs and (2) filters
	HP and P90 Spindles	S-24960	1	Includes (2) end plugs and (2) filters
<b>3</b>	<b>ABS WELD-ON BRACKET KIT</b>			HN, HP and HUS spindles
	5" Axle	S-27117	2	
	LDA™ (5.75") Axle	S-28757	2	

Call Hendrickson at **330.489.0045** or **866.RIDEAIR (743.3247)** for additional information.



[www.hendrickson-intl.com](http://www.hendrickson-intl.com)

**TRAILER COMMERCIAL VEHICLE SYSTEMS**  
 2070 Industrial Place SE  
 Canton, OH 44707-2641 USA  
 866.RIDEAIR (743.3247)  
 330.489.0045 • Fax 800.696.4416

**Hendrickson Canada**  
 250 Chrysler Drive, Unit #3  
 Brampton, ON Canada L6S 6B6  
 800.668.5360  
 905.789.1030 • Fax 905.789.1033

**Hendrickson Mexicana**  
 Circuito El Marqués Sur #29  
 Parque Industrial El Marqués  
 Pob. El Colorado, Municipio El Marqués,  
 Querétaro, México C.P. 76246  
 +52 (442) 296.3600 • Fax +52 (442) 296.3601

L1102 Rev D 08-17

Information contained in this literature was accurate at the time of publication. Product changes may have been made after the copyright date that are not reflected. © 2017 Hendrickson USA, L.L.C. All Rights Reserved

Printed in United States of America