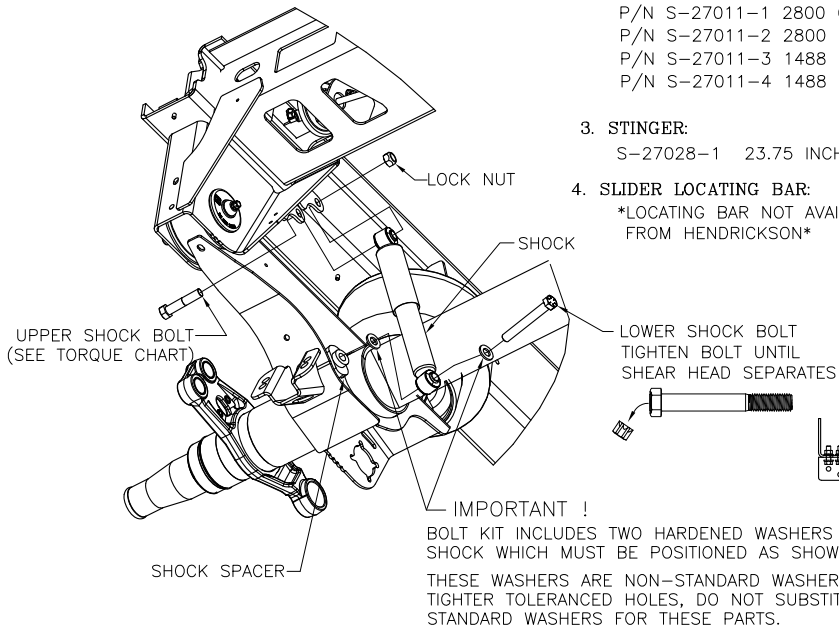


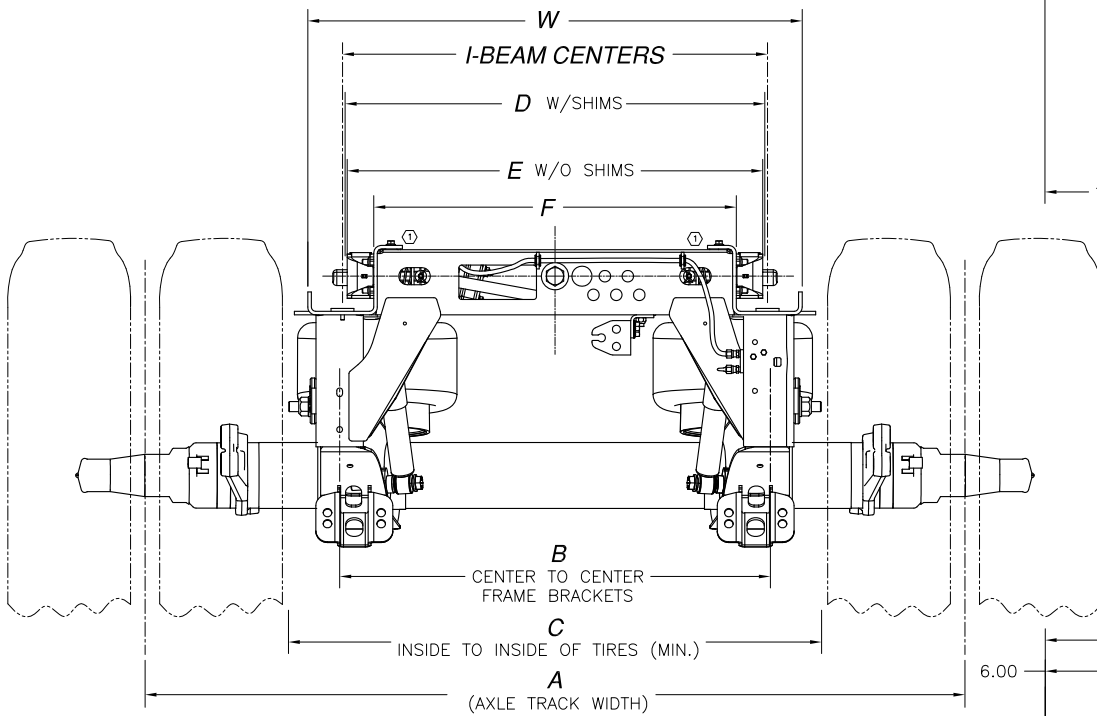
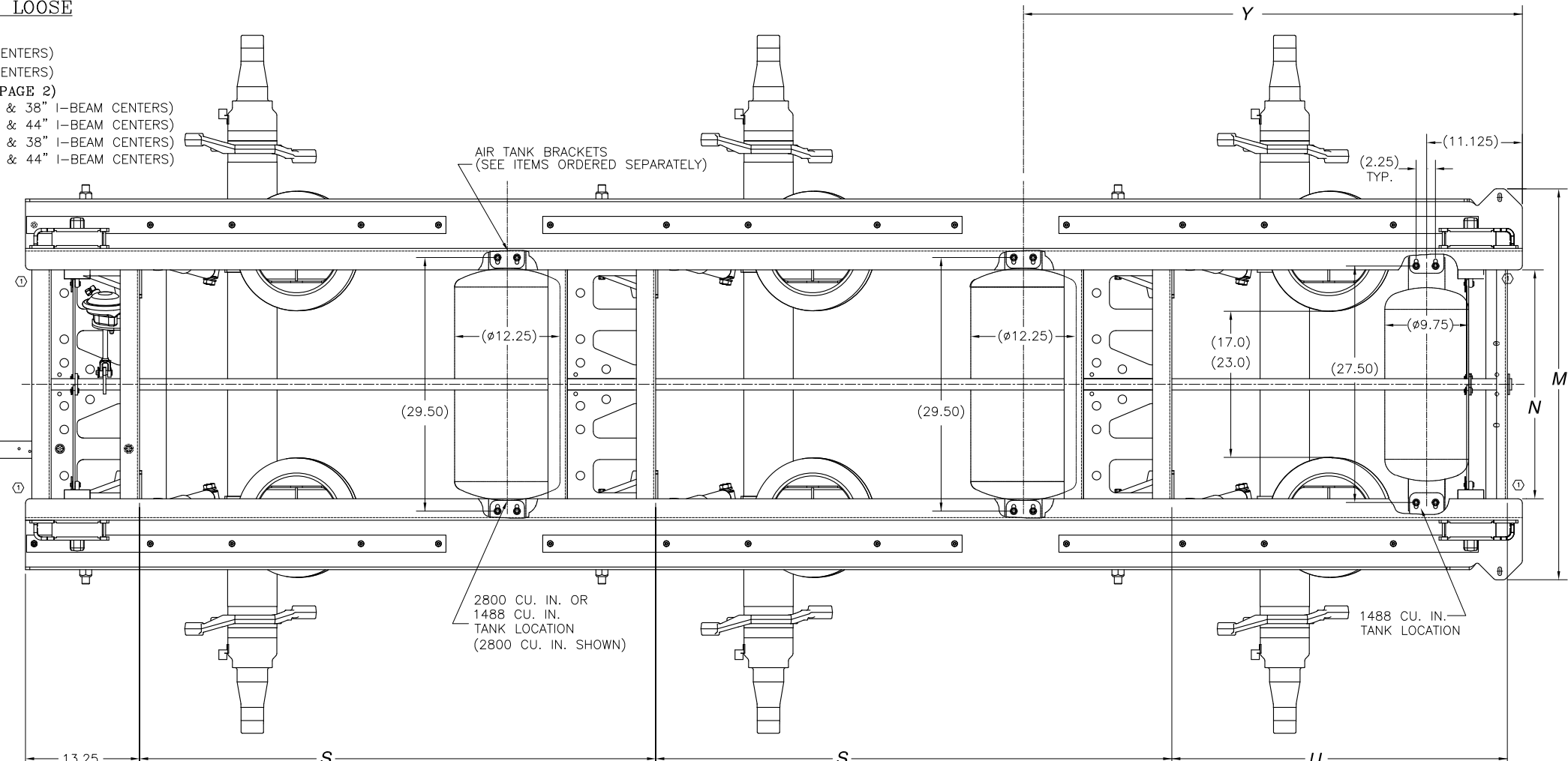
ITEMS ORDERED SEPARATELY, SHIPPED LOOSE

- 1. SPRAY GUARD MOUNTING ANGLE KIT:**
P/N S-22428-2 (37" & 38" I-BEAM CENTERS)
P/N S-22428-8 (43" & 44" I-BEAM CENTERS)
- 2. AIR TANK MOUNTING BRACKET KITS: (SEE PAGE 2)**
P/N S-27011-1 2800 CU. IN. TANK, (37" & 38" I-BEAM CENTERS)
P/N S-27011-2 2800 CU. IN. TANK, (43" & 44" I-BEAM CENTERS)
P/N S-27011-3 1488 CU. IN. TANK, (37" & 38" I-BEAM CENTERS)
P/N S-27011-4 1488 CU. IN. TANK, (43" & 44" I-BEAM CENTERS)

SHOCK INSTALLATION



- 3. STINGER:**
S-27028-1 23.75 INCH (SHOWN PAGE 2)
- 4. SLIDER LOCATING BAR:**
LOCATING BAR NOT AVAILABLE FROM HENDRICKSON



NOTES:

- SEE L-341 INTRAAX® INSTALLATION INSTRUCTIONS FOR INFORMATION ON ASSEMBLY, WELDING PROCEDURE, AND ALIGNMENT.
- SEE SERVICE MANUAL FOR INFORMATION CONCERNING MAINTENANCE PROCEDURE.
- SEE L-1182 FOR HEIGHT CONTROL KIT OPTIONS.
- DO NOT WELD ON AXLE TUBE.
- DO NOT WELD ON SLIDER BOX.
- IT IS THE RESPONSIBILITY OF THE INSTALLER TO ENSURE PROPER VEHICLE FRAME DESIGN IN THE AREA OF SLIDER ATTACHMENT.

CLEARANCE SPECIFICATIONS:

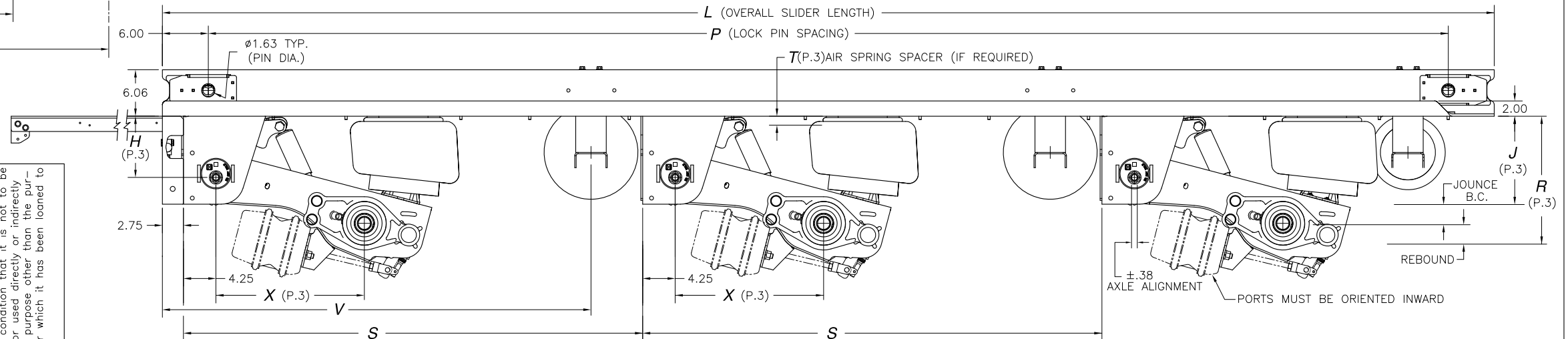
- 1.0 INCH MINIMUM CLEARANCE REQUIRED BETWEEN TOP OF TIRE AND BOTTOM OF TRAILER STRUCTURE WHEN AXLE IS AT FULL JOUNCE.
- 2.0 INCHES MINIMUM CLEARANCE REQUIRED BETWEEN INSIDE OF TIRE AND TRAILER STRUCTURE FOR TIRE AND LATERAL MOVEMENT.
- .75 INCH MINIMUM CLEARANCE MUST BE MAINTAINED AROUND AIR SPRING WHEN IT IS AT MAXIMUM DIAMETER.

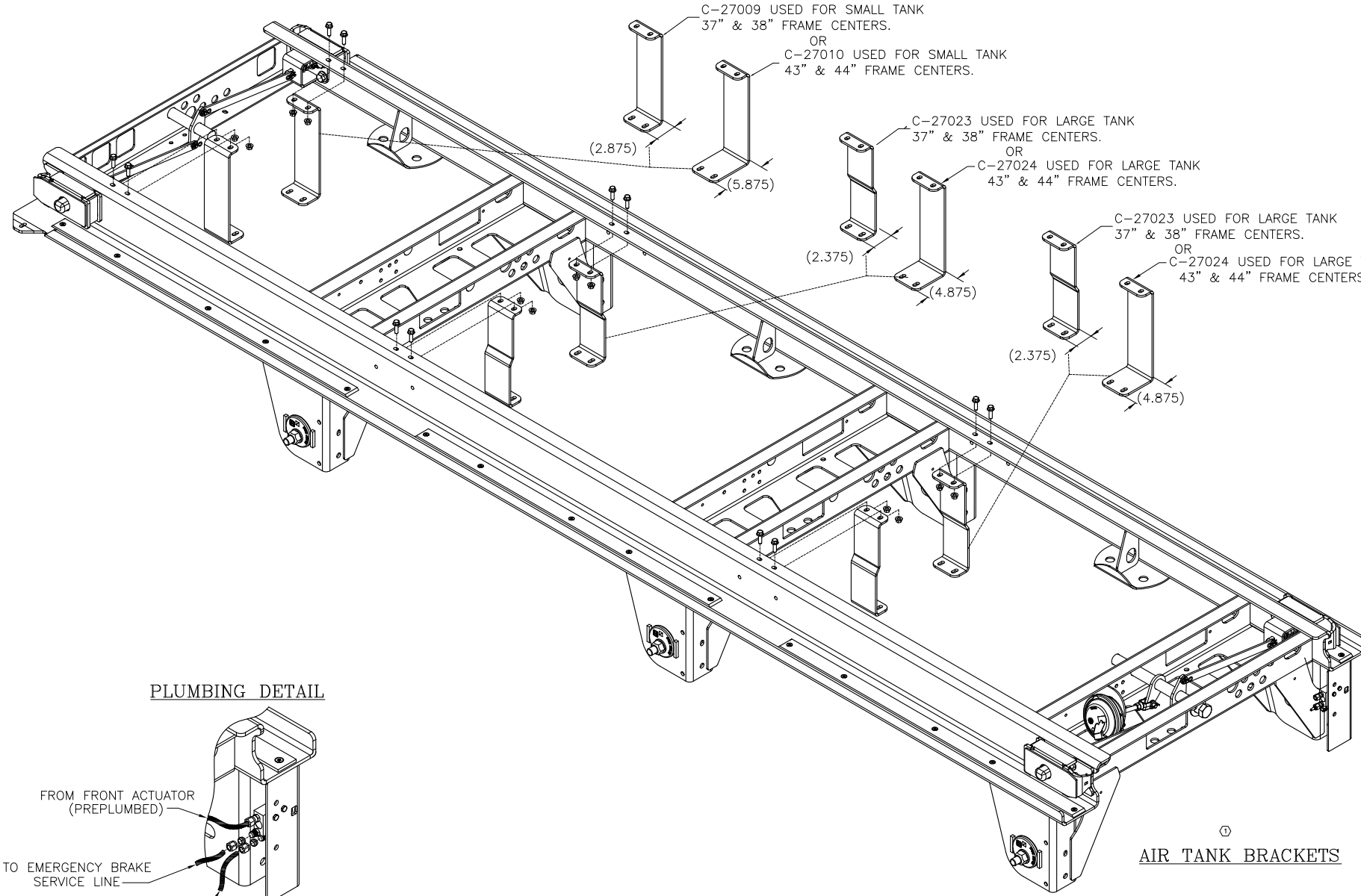
AXLE SPACING	SLIDER LENGTH DIMENSIONS (INCHES)					
	L	P	S	U	V	Y
60"	174.0	162.0	60.0	39.0	56.0	58.0
72"	198.0	186.0	72.0	39.0	63.0	63.0

I-BEAM CENTERS	SLIDER/SUSPENSION WIDTH DIMENSIONS (INCHES)								
	A	B	C	D	E	F	M	N	W
37"	71.5	37.5	46.50	36.61	36.25	31.63	45.50	26.63	43.13
38"	71.5	37.5	46.50	37.61	37.25	32.63	46.50	27.63	44.13
43"	77.5	43.5	52.50	42.61	42.25	37.63	51.50	32.63	49.13
44"	77.5	43.5	52.50	43.61	43.25	38.63	52.50	33.63	50.13

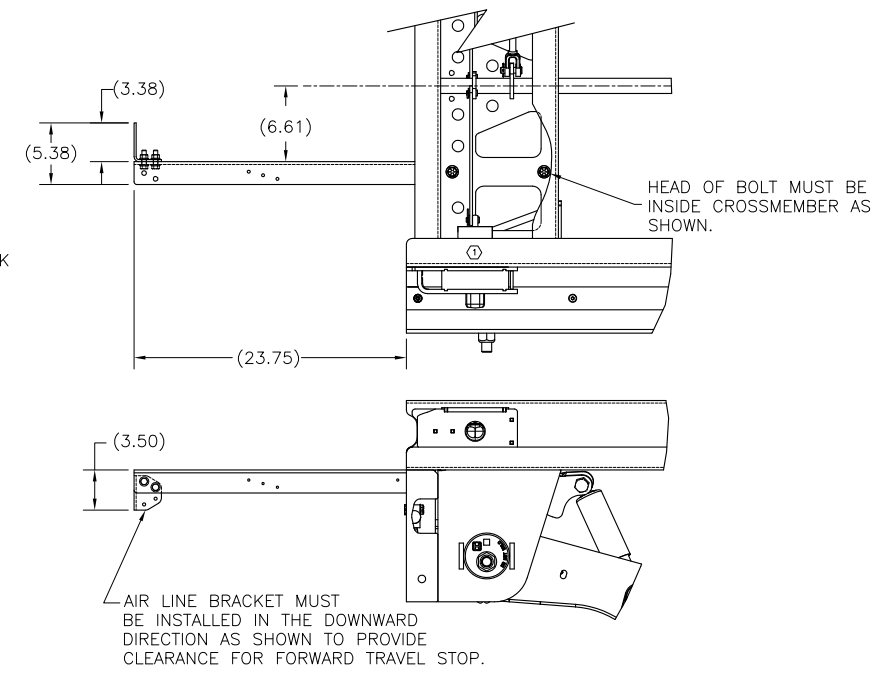
TORQUE SPECIFICATIONS		
DESCRIPTION	SIZE	TORQUE (FT-LB)
SHOCK BOLT, UPPER	3/4-10	210-235
SHOCK BOLT, LOWER	3/4-10	210-235
AIR SPRING NUTS, UPPER	3/4-16	80-100
AIR SPRING NUT, LOWER	1/2-13	55-60
S-CAM BEARING BOLTS	3/8-16	35-45
BRAKE CHAMBER MTG. NUTS	5/8-11	100-110
AIR ACTUATOR VALVE MTG. BOLTS	1/4-20	75-100 IN-LB
SPRAY GUARD BRACKET BOLTS	3/8-16	35-45
LOCK PIN BOX BOLTS	5/8-11	200-220
AIR ASSIST CHAMBER MTG. BOLTS	7/16-14	32-38
ACTUATOR AIR LINE FITTINGS	-----	25 MAX.
STINGER MTG. BOLTS	1/2-13	70-80
STINGER AIR LINE BRACKET	3/8-16	35-45
AIR TANK BRACKET BOLTS	3/8-16	35-45
AIR ASSIST CHAMBER JAM NUT	1/2-13	20-30

This Print remains the property of Hendrickson. All information contained hereon is confidential. It is loaned, subject to return on demand and on express condition that it is not to be copied or used directly or indirectly for any purpose other than the purpose for which it has been loaned to you.

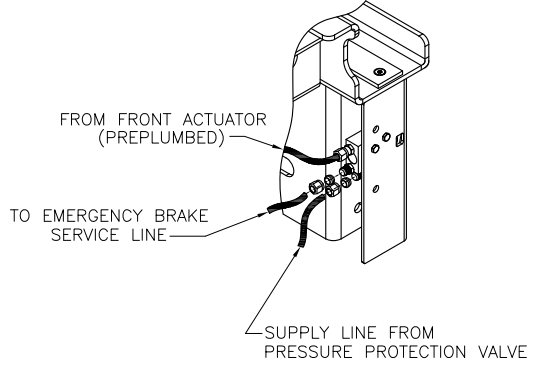




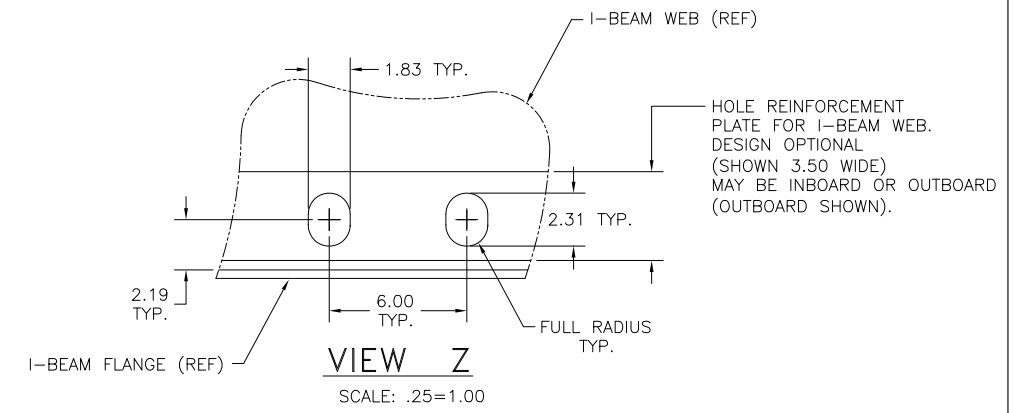
STINGER INSTALLATION



PLUMBING DETAIL



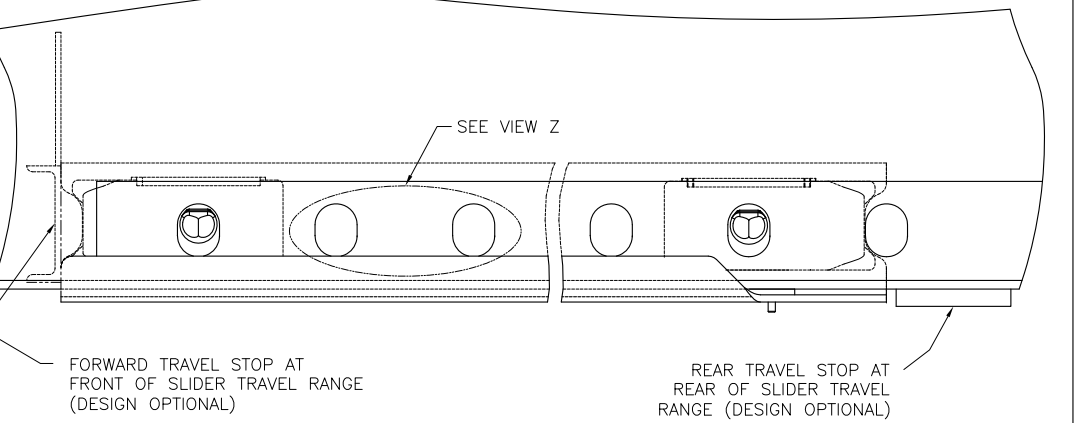
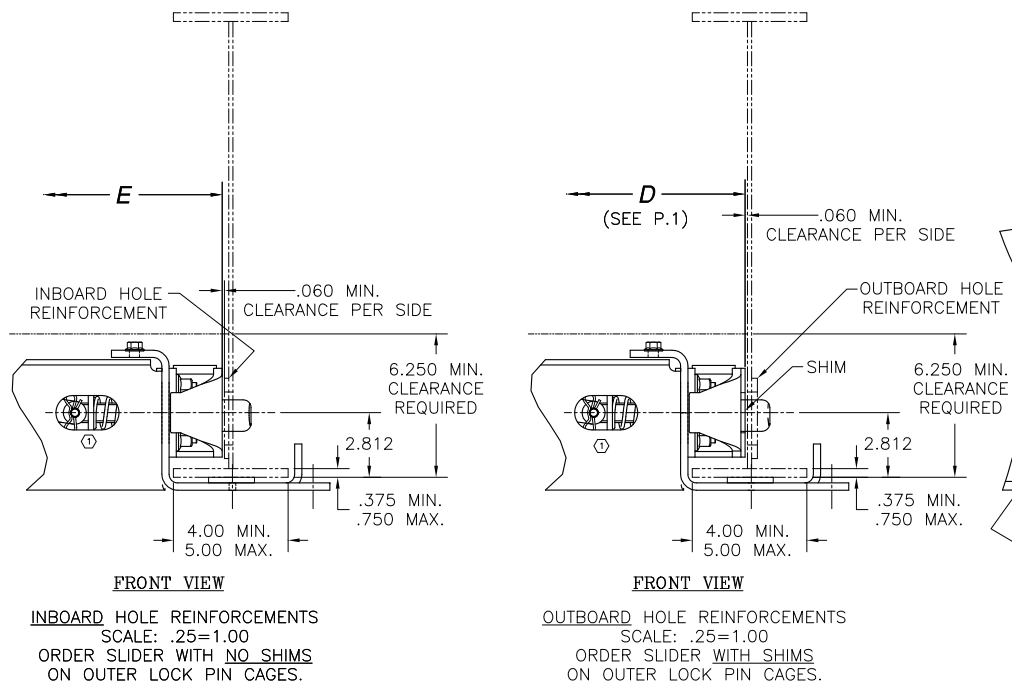
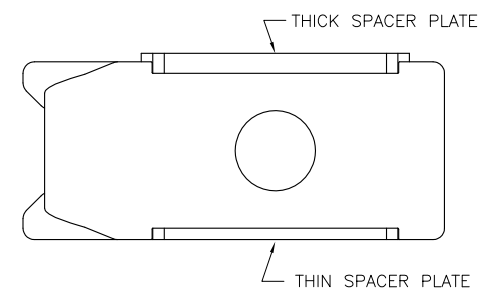
AIR TANK BRACKETS



TRAILER FRAME REQUIREMENTS

PIN CAGE PLACEMENT

- NOTE:
- PIN CAGES HAVE A THICK SPACER PLATE AND A THIN SPACER PLATE:
 THE THICK SPACER PLATE MUST BE DOWN WHEN BOTTOM FLANGE OF TRAILER I-BEAM IS .500 THK. OR LESS.
 THE THIN SPACER PLATE MUST BE DOWN WHEN BOTTOM FLANGE OF TRAILER I-BEAM IS GREATER THAN .500 THK. BUT DOES NOT EXCEED .750 THK.
 - IF NEEDED AND PIN CAGES NEED FLIPPED.
 WHEN GOING FROM ONE THICKNESS TO THE OTHER, THE FRONT PIN CAGE IS FLIP AND MOVED TO THE REAR PIN CAGE LOCATION.
 THE REAR PIN CAGE IS FLIPPED AND MOVED TO THE FRONT PIN CAGE LOCATION.







RECOMMENDED I-BEAM POSITIONING HOLE DESIGN

NOTE: HORIZONTAL DIMENSIONS MUST BE MAINTAINED AS SHOWN. VERTICAL DIMENSIONS SHOWN ARE OPTIONAL, BUT ARE RECOMMENDED FOR THE FOLLOWING REASONS:
 A) ALLOWS HOLE POSITION ON WEB TO BE IDENTICAL FOR ANY FLANGE THICKNESS FROM 3/8" TO 3/4".
 B) ALLOWS DIRECT CONTACT BETWEEN I-BEAM FLANGE AND BOTTOM SIDE OF OUTER LOCK PIN CAGES WHEN TRAILER IS LIFTED BY FRAME.

This Print remains the property of Hendrickson. All information contained thereon is confidential. It is loaned, subject to return on demand and on express condition that it is not to be copied or used directly or indirectly for any purpose other than the purpose for which it has been loaned to you.

DIMENSION FROM PAGE 1

RIDE HEIGHT	 JOUNCE	 REBOUND	BUMPER CONTACT	T	H	X	 J	 R	** SUSPENSION WEIGHT (LB)
13.5	3.1	5.5	2.5	—	8.0	19.5	10.4	19.0	532.54
14.0	3.6	5.0	3.0	—	8.0	19.4	10.4	19.0	532.54
15.0	3.6	4.0	3.0	—	8.0	19.1	11.4	19.0	538.90
16.0	3.6	4.9	3.1	—	10.0	19.4	12.4	20.9	543.58
17.0	3.7	3.9	3.1	1.125	10.0	19.1	13.3	20.9	552.73

* BOX WEIGHT INCLUDES: SLIDER BOX WELDMENT WITH FRAME BRACKETS, LOCK PINS AND ALL PIN PULL COMPONENTS (INCLUDING ACTUATOR VALVE, FITTINGS, ETC.) AND NO SHIMS (FOR TRAILERS WITH INTERNAL WEB REINFORCEMENT AT LOCK PIN HOLES).

** SUSPENSION WEIGHT INCLUDES: BEAMS, BUSHINGS, AXLE WRAPS, PIVOT CONNECTION COMPONENTS, AIR SPRING COMPONENTS AND SHOCK ABSORBER COMPONENTS. WEIGHT IS TOTAL FOR THREE SUSPENSIONS.

*** AXLE WEIGHT INCLUDES: AXLE TUBE, SPINDLES, SPIDERS, STANDARD 16.5" X 7" BRAKE COMPONENTS, AND AXLE NUT KIT (BRAKE CHAMBERS AND SLACK ADJUSTERS NOT INCLUDED). WEIGHT IS TOTAL FOR THREE AXLES.

**** OPTION WEIGHT TABLE IS NOT ALL-INCLUSIVE; MANY ADDITIONAL OPTIONS ARE AVAILABLE. CONTACT HENDRICKSON ENGINEERING FOR WEIGHTS OF OPTIONS NOT LISTED IN CHART.

*** AXLE WEIGHT (LB)			
AXLE WALL		STANDARD	
I-BEAM CENTERS		37" & 38"	43" & 44"
SPINDLE TYPE	HN	757.45	785.29
	HP	770.82	798.78

* SLIDER BOX WEIGHT (LB)

RIDE HEIGHT	60" TRI				72" TRI			
	I-BEAM CENTERS				I-BEAM CENTERS			
	37"	38"	43"	44"	37"	38"	43"	44"
13.5								
14.0	883.23	888.65	915.97	921.42	951.85	957.27	984.59	990.04
15.0								
16.0	904.59	910.01	937.33	942.78	973.21	987.63	1005.95	1011.40
17.0								

**** OPTION WEIGHT ADDITION (LB)		
OPTIONAL COMPONENT	I-BEAM CENTERS	
	37" & 38"	43" & 44"
SHIMS ON BOX (FOR EXTERNAL WEB HOLE REINFORCEMENT)	5.72	
16.5" X 7" HXS BRAKES	12.12	
16.5" X 8.625" HXS BRAKES	46.80	
EXTENDED SERVICE/HIGH-DAMPING SHOCKS	8.10	
LOW-PRESSURE AIR SPRINGS	22.80	
SEALED CLAMP-ON DUST SHIELDS	43.80	
SHOCK STRAPS	2.70	
HALDEX BRAKE CHAMBERS (STD. STROKE)	122.10	
HALDEX BRAKE CHAMBERS (LONG STROKE)	132.24	
HALDEX BRAKE CHAMBERS (LONG STROKE, EXTENDED WARRANTY)	133.02	
HALDEX SLACK ADJUSTERS (5.5"OR 6.0" LG.)	42.12	
AKHO270-3 HCV KIT (BOLTED LINK)	3.06	
STINGER KIT (23.75" LG)	10.02	
MUD FLAP MTG. ANGLE KIT	23.80	25.30
AIR TANK BRACKET KIT (2800 C.I. TANK)	7.54	8.80
AIR TANK BRACKET KIT (1488 C.I. TANK)	7.74	9.32

NOTES:

- TO OBTAIN TOTAL SYSTEM WEIGHT, ADD ONE ITEM EACH FROM SLIDER BOX, SUSPENSION & AXLE WEIGHT TABLES, PLUS ALL APPLICABLE OPTION WEIGHTS FROM OPTION WEIGHT TABLE.
- CONTACT HENDRICKSON FOR ALLOWABLE RIDE HEIGHT RANGES.



JOUNCE AND REBOUND DIMENSIONS CHANGE AS THE RIDE HEIGHT CHANGES FROM THE NOMINAL POSITION.



DIMENSIONS "J" & "R" WILL REMAIN CONSTANT REGARDLESS OF RIDE HEIGHT VARIATION FROM NOMINAL POSITION.

This Print remains the property of Hendrickson. All information contained thereon is confidential. It is loaned, subject to return on demand and on express condition that it is not to be copied or used directly or indirectly for any purpose other than the purpose for which it has been loaned to you.



UNLESS OTHERWISE NOTED: DIMENSIONS ARE IN INCHES
 TOLERANCES ARE:
 X: ± .010
 Y: ± .010
 Z: ± .010
 ANGULAR: ± .5°
 3RD ANGLE PROJECTION
 DIMENSIONS ADHERE TO ANSI Y14.5M-1982 (REV. ECN NO. BY DATE)

DRAWN BY J. WIGGINS 08-04-11
 CHK'D BY C. ANDERSON 09-15-11
 APP'D BY T. HESS

AAZNT 69K23 INSTALLATION
 DRAWING TRI SLIDERS

SCALE .25=1.00 SIZE D PAGE 3 OF 3
 DRAWING No. D-32782

TRAILER COMMERCIAL VEHICLE SYSTEMS
 2070 INDUSTRIAL PLACE S.E., CANTON, OH 44707-2600 U.S.A.